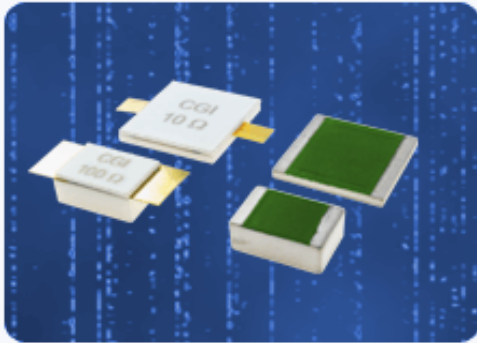


# Component General, Inc.

## ■ Stripline Chip Resistors

### ■ MECHANICAL SPECIFICATIONS



Substrate : Beryllium Oxide Ceramic.  
 Resistive Element : Proprietary Thick Film.  
 Terminals : Proprietary Silver.  
 Tolerance :  $\pm .005$ " Except where noted (\*), then  $\pm .010$ "

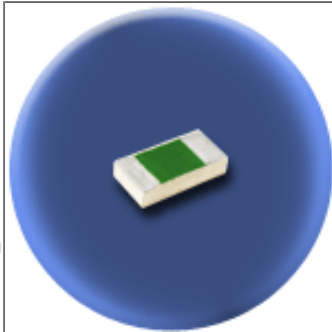
high power chip Terminations product selection chart

CGI P/N	Power	Resistance (Ohms)	Standard Tolerance
Note: Click a part number from the list below to see a data sheet for that part.			
<a href="#">CPR-100-2</a>	62 W	10 - 1000	2 %
<a href="#">CPR-100-2B</a>	40 W	10 - 1000	2 %
<a href="#">CPR-230-1</a>	150 W	10 - 1000	2 %
<a href="#">CPR-230-2</a>	40 W	10 - 1000	2 %
<a href="#">CPR-250-1A</a>	170 W	10 - 1000	2 %
<a href="#">CPR-250-1B</a>	80 W	10 - 1000	2 %
<a href="#">CPR-250-2A</a>	330 W	10 - 1000	2 %
<a href="#">CPR-250-2B</a>	100 W	10 - 1000	2 %
<a href="#">CPR-250-2C</a>	160 W	10 - 1000	2 %
<a href="#">CPR-375-1</a>	350 W	10 - 1000	2 %
<a href="#">CPR-375-1B</a>	250 W	10 - 1000	2 %
<a href="#">CPR-500-1*</a>	500 W	10 - 1000	2 %
<a href="#">CPR-625-1*</a>	700 W	10 - 1000	2 %
<a href="#">CPR-625-2*</a>	185 W	10 - 1000	2 %
<a href="#">CPR-1000-1*</a>	1000 W	10 - 1000	2 %

# Component General, Inc.

P/N: CPR-100-2

## Stripline Chip Resistors



### Mechanical Specifications

**Substrate:**

Beryllium Oxide Ceramic.

**Resistive Element :**

Proprietary thick film.

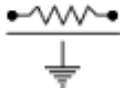
**Terminals:**

Proprietary Silver.

**Tolerance:**

± 0.005" unless specified.

Note: Power is based on infinite and ideal heat sink with the heat sink at 100°C



### Electrical Specifications

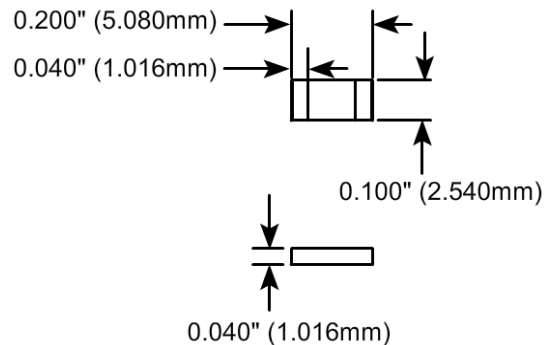
**Resistance Value:**

10 - 1000 Ω as required. Other values available upon request.

**Standard Resistance Tolerance:**

± 2% Other tolerances available upon request.

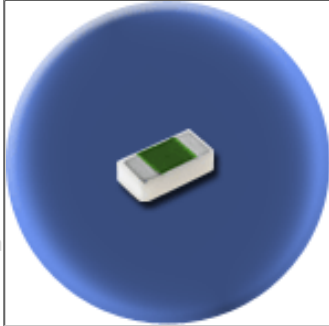
### Part Dimensions



# Component General, Inc.

P/N: CPR-100-2B

Stripline Chip Resistors



## Mechanical Specifications

### Substrate:

Beryllium Oxide Ceramic.

### Resistive Element :

Proprietary thick film.

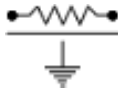
### Terminals:

Proprietary Silver.

### Tolerance:

± 0.005" unless specified.

Note: Power is based on infinite and ideal heat sink with the heat sink at 100°C



## Electrical Specifications

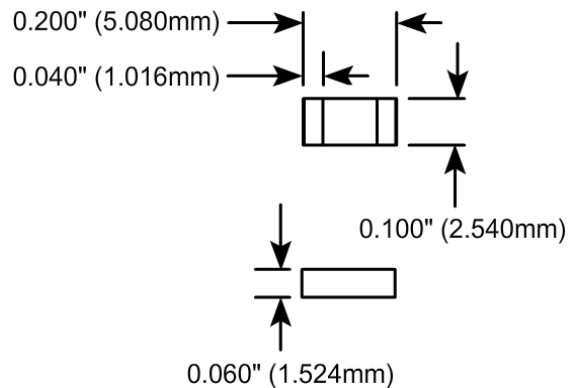
### Resistance Value:

10 - 1000  $\Omega$  as required. Other values available upon request.

### Standard Resistance Tolerance:

2% Other tolerances available upon request.

## Part Dimensions



# Component General, Inc.

P/N: CPR-230-1

## Stripline Chip Resistors

high power thick film resistors



### Mechanical Specifications

**Substrate:**

Beryllium Oxide Ceramic.

**Resistive Element :**

Proprietary thick film.

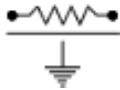
**Terminals:**

Proprietary Silver.

**Tolerance:**

± 0.005" unless specified.

Note: Power is based on infinite and ideal heat sink with the heat sink at 100°C



### Electrical Specifications

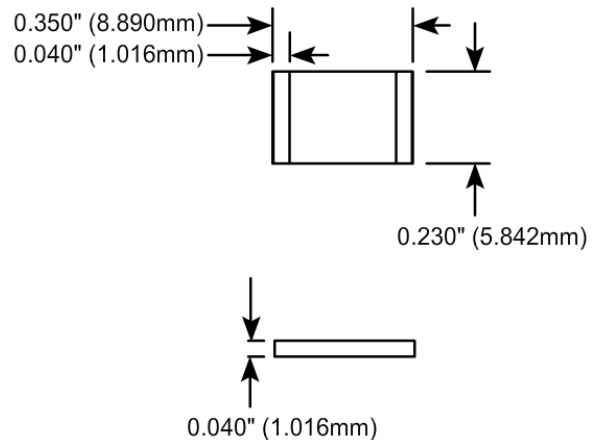
**Resistance Value:**

10 - 1000  $\Omega$  as required. Other values available upon request.

**Standard Resistance Tolerance:**

± 2% Other tolerances available upon request.

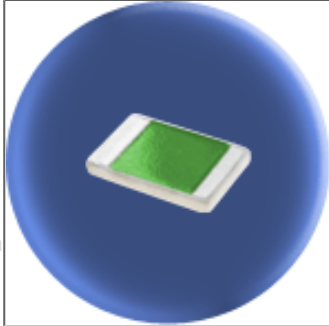
### Part Dimensions



# Component General, Inc.

P/N: CPR-230-2

Stripline Chip Resistors



## Mechanical Specifications

### Substrate:

Beryllium Oxide Ceramic.

### Resistive Element :

Proprietary thick film.

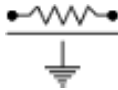
### Terminals:

Proprietary Silver.

### Tolerance:

± 0.005" unless specified.

Note: Power is based on infinite and ideal heat sink with the heat sink at 100°C



## Electrical Specifications

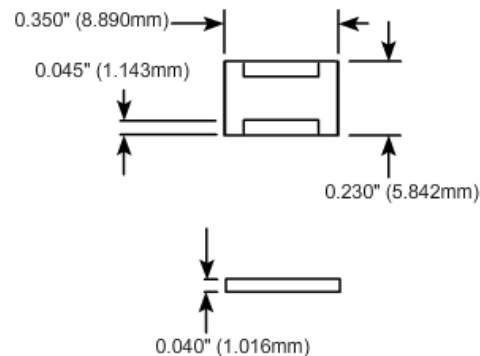
### Resistance Value:

10 - 1000  $\Omega$  as required. Other values available upon request.

### Standard Resistance Tolerance:

± 2% Other tolerances available upon request.

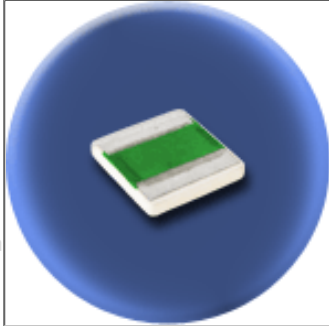
## Part Dimensions



# Component General, Inc.

P/N: CPR-250-1A

## Stripline Chip Resistors



### Mechanical Specifications

**Substrate:**

Beryllium Oxide Ceramic.

**Resistive Element :**

Proprietary thick film.

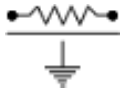
**Terminals:**

Proprietary Silver.

**Tolerance:**

± 0.005" unless specified.

Note: Power is based on infinite and ideal heat sink with the heat sink at 100°C



### Electrical Specifications

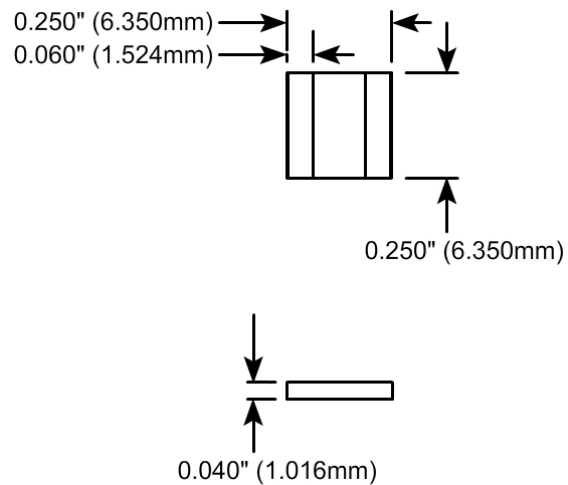
**Resistance Value:**

10 - 1000 Ω as required. Other values available upon request.

**Standard Resistance Tolerance:**

± 2% Other tolerances available upon request.

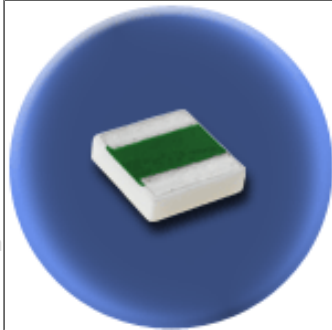
### Part Dimensions



# Component General, Inc.

P/N: CPR-250-1B

## Stripline Chip Resistors



### Mechanical Specifications

**Substrate:**

Beryllium Oxide Ceramic.

**Resistive Element :**

Proprietary thick film.

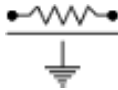
**Terminals:**

Proprietary Silver.

**Tolerance:**

± 0.005" unless specified.

Note: Power is based on infinite and ideal heat sink with the heat sink at 100°C



### Electrical Specifications

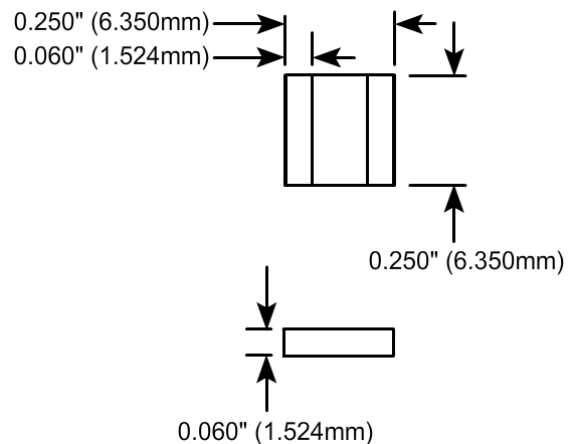
**Resistance Value:**

10 - 1000  $\Omega$  as required. Other values available upon request.

**Standard Resistance Tolerance:**

± 2% Other tolerances available upon request.

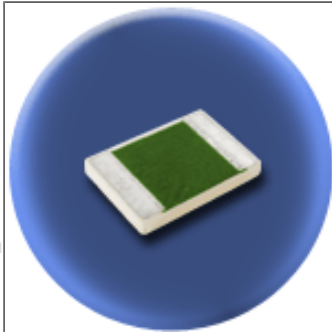
### Part Dimensions



# Component General, Inc.

P/N: CPR-250-2A

## Stripline Chip Resistors



### Mechanical Specifications

**Substrate:**

Beryllium Oxide Ceramic.

**Resistive Element :**

Proprietary thick film.

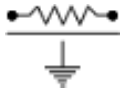
**Terminals:**

Proprietary Silver.

**Tolerance:**

± 0.005" unless specified.

Note: Power is based on infinite and ideal heat sink with the heat sink at 100°C



### Electrical Specifications

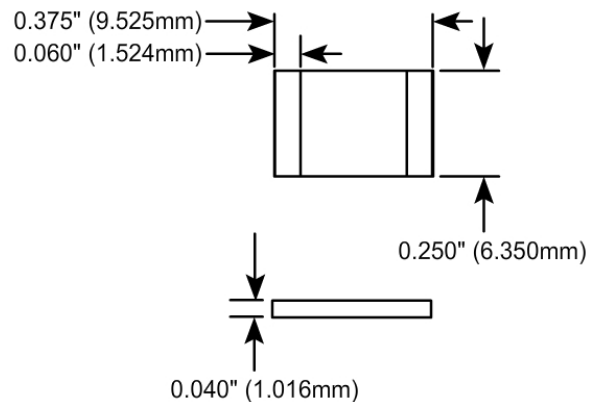
**Resistance Value:**

10 - 1000 Ω as required. Other values available upon request.

**Standard Resistance Tolerance:**

± 2% Other tolerances available upon request.

### Part Dimensions

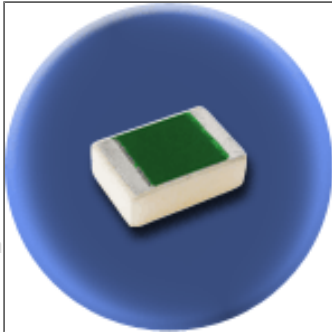




# Component General, Inc.

P/N: CPR-250-2B

Stripline Chip Resistors



## Mechanical Specifications

### Substrate:

Beryllium Oxide Ceramic.

### Resistive Element :

Proprietary thick film.

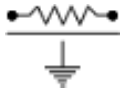
### Terminals:

Proprietary Silver.

### Tolerance:

± 0.005" unless specified.

Note: Power is based on infinite and ideal heat sink with the heat sink at 100°C



## Electrical Specifications

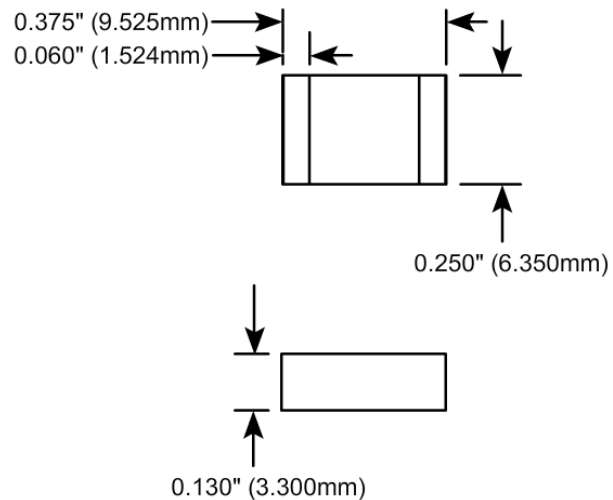
### Resistance Value:

10 - 1000  $\Omega$  as required. Other values available upon request.

### Standard Resistance Tolerance:

± 2% Other tolerances available upon request.

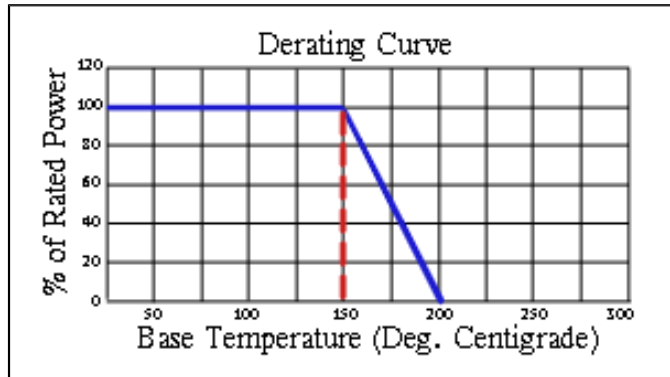
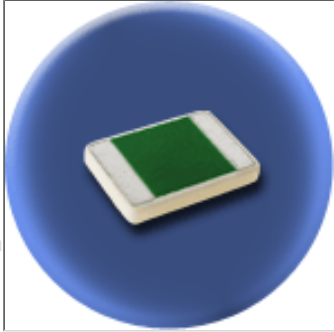
## Part Dimensions



# Component General, Inc.

P/N: CPR-250-2C

Stripline Chip Resistors



## Mechanical Specifications

### Substrate:

Beryllium Oxide Ceramic.

### Resistive Element :

Proprietary thick film.

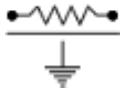
### Terminals:

Proprietary Silver.

### Tolerance:

± 0.005" unless specified.

Note: Power is based on infinite and ideal heat sink with the heat sink at 100°C



## Electrical Specifications

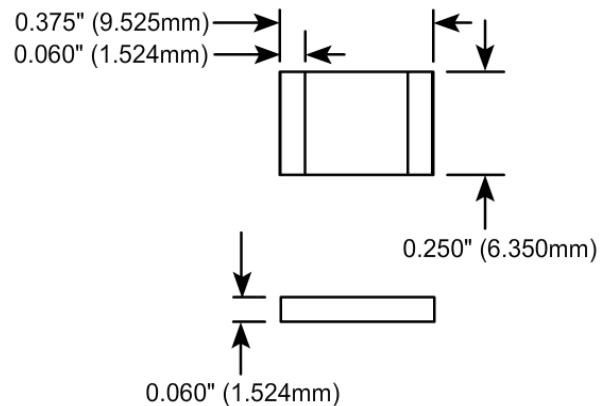
### Resistance Value:

10 - 1000 Ω as required. Other values available upon request.

### Standard Resistance Tolerance:

± 2% Other tolerances available upon request.

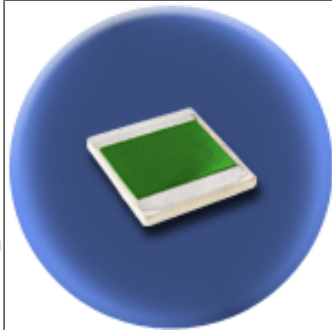
## Part Dimensions



# Component General, Inc.

P/N: CPR-375-1

## Stripline Chip Resistors



### Mechanical Specifications

**Substrate:**

Beryllium Oxide Ceramic.

**Resistive Element :**

Proprietary thick film.

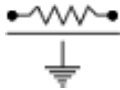
**Terminals:**

Proprietary Silver.

**Tolerance:**

± 0.005" unless specified.

Note: Power is based on infinite and ideal heat sink with the heat sink at 100°C



### Electrical Specifications

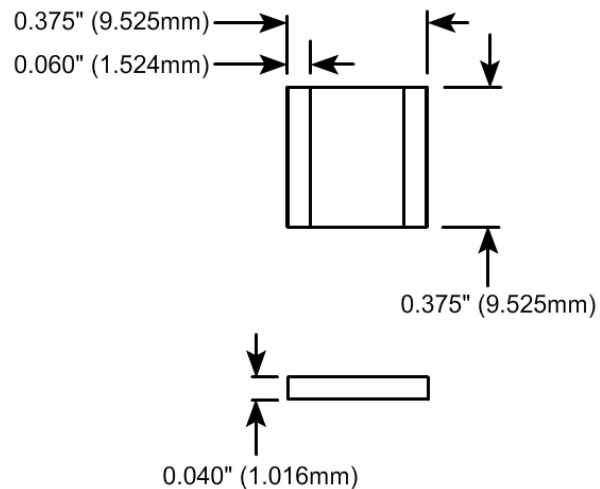
**Resistance Value:**

10 - 1000 Ω as required. Other values available upon request.

**Standard Resistance Tolerance:**

± 2% Other tolerances available upon request.

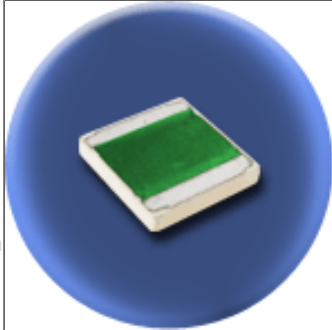
### Part Dimensions



# Component General, Inc.

P/N: CPR-375-1B

Stripline Chip Resistors



## Mechanical Specifications

### Substrate:

Beryllium Oxide Ceramic.

### Resistive Element :

Proprietary thick film.

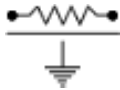
### Terminals:

Proprietary Silver.

### Tolerance:

± 0.005" unless specified.

Note: Power is based on infinite and ideal heat sink with the heat sink at 100°C



## Electrical Specifications

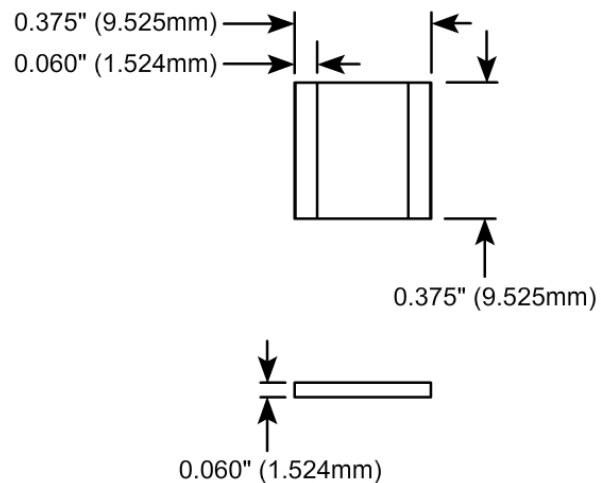
### Resistance Value:

10 - 1000  $\Omega$  as required. Other values available upon request.

### Standard Resistance Tolerance:

± 2% Other tolerances available upon request.

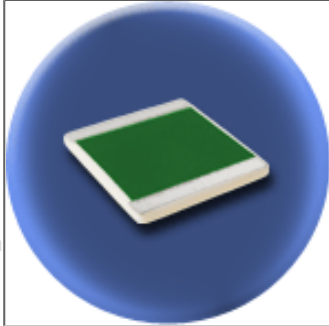
## Part Dimensions



# Component General, Inc.

P/N: CPR-500-1

## Stripline Chip Resistors



### Mechanical Specifications

**Substrate:**

Beryllium Oxide Ceramic.

**Resistive Element :**

Proprietary thick film.

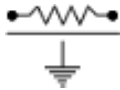
**Terminals:**

Proprietary Silver.

**Tolerance:**

± 0.010" unless specified.

Note: Power is based on infinite and ideal heat sink with the heat sink at 100°C



### Electrical Specifications

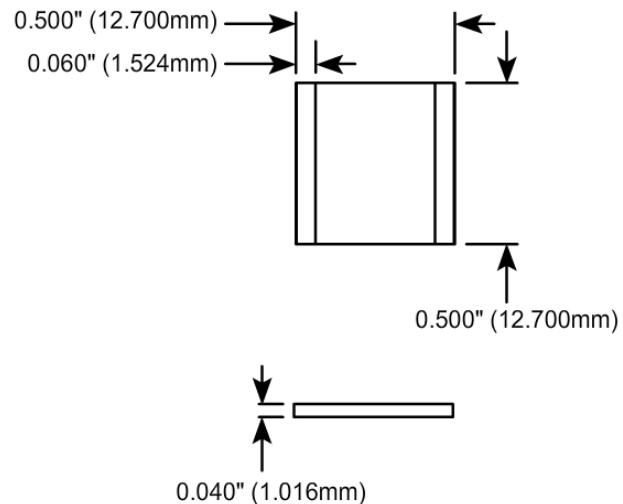
**Resistance Value:**

10 - 1000 Ω as required. Other values available upon request.

**Standard Resistance Tolerance:**

± 2% Other tolerances available upon request.

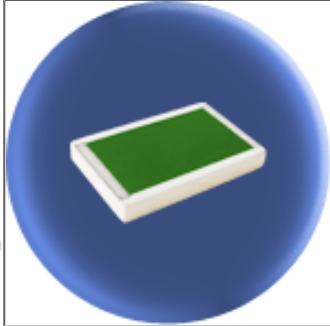
### Part Dimensions



# Component General, Inc.

P/N: CPR-625-1

## Stripline Chip Resistors



### Mechanical Specifications

**Substrate:**

Beryllium Oxide Ceramic.

**Resistive Element :**

Proprietary thick film.

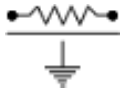
**Terminals:**

Proprietary Silver.

**Tolerance:**

± 0.010" unless specified.

Note: Power is based on infinite and ideal heat sink with the heat sink at 100°C



### Electrical Specifications

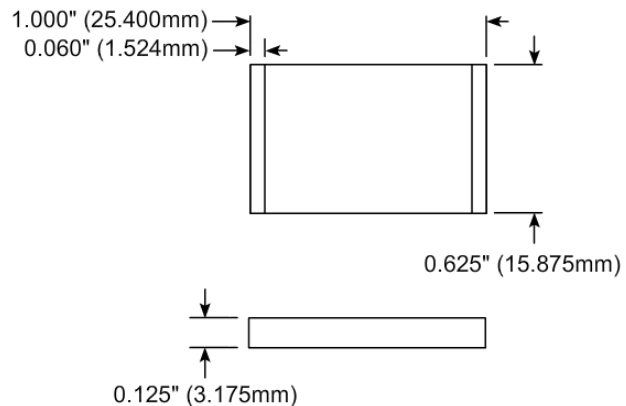
**Resistance Value:**

10 - 1000 Ω as required. Other values available upon request.

**Standard Resistance Tolerance:**

± 2% Other tolerances available upon request.

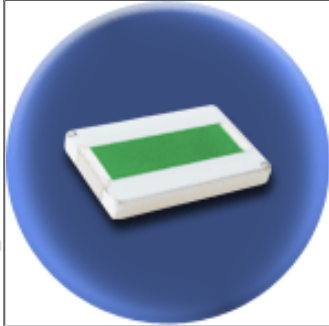
### Part Dimensions



# Component General, Inc.

P/N: CPR-625-2

## Stripline Chip Resistors



### Mechanical Specifications

**Substrate:**

Beryllium Oxide Ceramic.

**Resistive Element :**

Proprietary thick film.

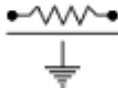
**Terminals:**

Proprietary Silver.

**Tolerance:**

± 0.010" unless specified.

Note: Power is based on infinite and ideal heat sink with the heat sink at 100°C



### Electrical Specifications

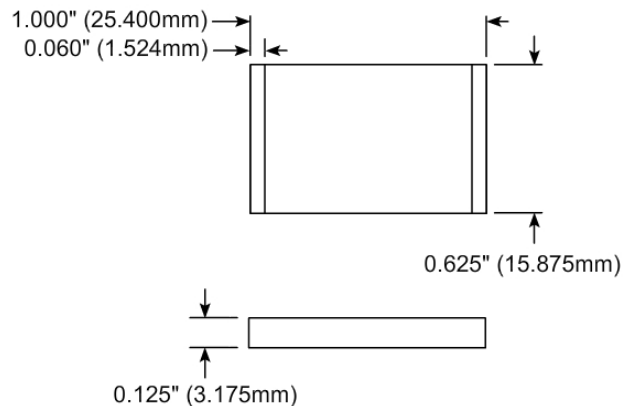
**Resistance Value:**

10 - 1000 Ω as required. Other values available upon request.

**Standard Resistance Tolerance:**

± 2% Other tolerances available upon request.

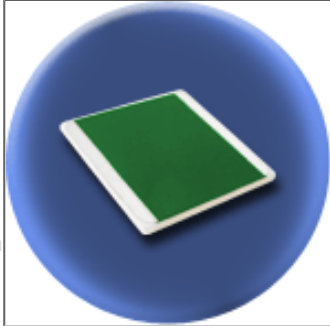
### Part Dimensions



# Component General, Inc.

P/N: CPR-1000-1

## Stripline Chip Resistors



### Mechanical Specifications

**Substrate:**

Beryllium Oxide Ceramic.

**Resistive Element :**

Proprietary thick film.

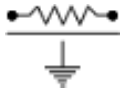
**Terminals:**

Proprietary Silver.

**Tolerance:**

± 0.010" unless specified.

Note: Power is based on infinite and ideal heat sink with the heat sink at 100°C



### Electrical Specifications

**Resistance Value:**

10 - 1000 Ω as required. Other values available upon request.

**Standard Resistance Tolerance:**

± 2% Other tolerances available upon request.

### Part Dimensions

