

XI'AN IR-PERI
 Company

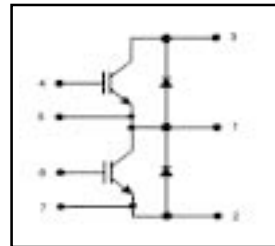
PRELIMINARY

GA50TS120K

Short Circuit Rated
 Ultra-Fast™ Speed IGBT

Features

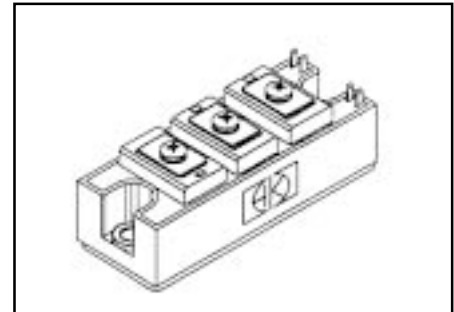
- Generation 5 IGBT NPT technology
- UltraFast optimized high operating frequencies 8-40 kHz in hard switching, >200 kHz in resonant mode.
- Very low conduction and switching losses
- HEXFRED™ antiparallel diodes with ultra-soft recovery
- Industry standard package
- UL recognition pending
- Short circuit rated 10 μ s



$V_{CES}=1200V$
 $V_{CE(on) \text{ typ.}}=2.5V$
 @ $V_{GE}=15V, I_c=50A$

Benefits

- Increased operating efficiency
- Direct mounting to heatsink
- Performance optimized for power conversion: UPS, SMPS, Welding, Motor Control
- Lower EMI, requires less snubbing



Absolute Maximum Ratings

	Parameter	Max.	Units
V_{CES}	Collector- to- Emitter Voltage	1200	V
$I_c @ T_c=25^\circ C$	Continuous Collector Current	75	A
$I_c @ T_c=85^\circ C$	Continuous Collector Current	50	
I_{CM}	Pulsed collector Current	100	
I_{LM}	Peak switching Current	100	
I_{FM}	Peak Diode Forward Current	100	
V_{GE}	Gate- to- Emitter Voltage	± 20	V
V_{ISOL}	RMS Isolation Voltage, Any Terminal To Case, t=1 min	2500	W
$P_D @ T_c=25^\circ C$	Maximum Power Dissipation	417	
$P_D @ T_c=85^\circ C$	Maximum Power Dissipation	217	
T_J	Operating Junction Temperature Range	-40 to +150	$^\circ C$
T_{STG}	Storage Temperature Range	-40 to +125	

Thermal / Mechanical Characteristics

	Parameter	Typ.	Max.	Units
$R_{\theta JC}$	Thermal Resistance, Junction-to- Case- IGBT	-	0.30	$^\circ C/W$
$R_{\theta JC}$	Thermal Resistance, Junction-to- Case- Diode	-	0.70	
$R_{\theta CS}$	Thermal Resistance, Case-to- Sink- Module	0.1	-	N.m
	Mouting Torque, Case-to-Heatsink	-	4.0	
	Mouting Torque, Case-to-Terminal 1,2 & 3	-	3.0	
	Weight of Module	200	-	g

GA50TS120K**Electrical Characteristics @ T_J=25°C(unless otherwise specified)**

	Parameter	Min.	Typ.	Max.	Units	Conditions
V _{(BR)CES}	Collector-to-Emitter Breakdown Voltage	1200	—	—	V	V _{GE} =0V, I _c =1mA
V _{CE(ON)}	Collector-to-Emitter Voltage	—	2.5	—		V _{GE} =15V, I _c =50A
		—	2.7	—		V _{GE} =15V, I _c =50A, T _J =125°C
V _{GE(th)}	Gate Threshold Voltage	4.5	—	5.5		V _{CE} =6V, I _c =500μA
DV _{GE(th)DTJ}	Temperature Coeff. of Threshold Voltage	—	-11	—	mV/°C	V _{CE} =V _{GE} , I _c =500μA
g _{fe}	Forward Transconductance	—	72	—	S	V _{CE} =25V, I _c =50A
I _{CES}	Collector - to - Emitter Leaking Current	—	—	1.0	mA	V _{GE} =0V, V _{CE} =1200V
		—	—	10		V _{GE} =0V, V _{CE} =1200V, T _J =125°C
V _{FM}	Diode Forward Voltage - Maximum	—	2.0	2.5	V	I _F =50A, V _{GE} =0V
		—	1.8	—		I _F =50A, V _{GE} =0V, T _J =125°C
I _{GES}	Gate - to - Emitter Leakage Current	—	—	100	nA	V _{GE} =±20V

Dynamic Characteristics - T_J=125°C (unless otherwise specified)

	Parameter	Min.	Typ.	Max.	Units	Conditions
Q _g	Total gate charge (turn - on)	—	397	596	nC	V _{CC} = 400V I _c =60A T _J =25°C
Q _{ge}	Gate - Emitter charge (turn - on)	—	67	100		
Q _{gc}	Gate - Collector charge (turn - on)	—	132	197		
T _{d(on)}	Turn - On Delay Time	—	100	—	nS	R _{G1} =15Ω , R _{G2} = 0Ω I _c = 50A V _{CC} =720V V _{GE} =±15V Inductor load
t _r	Rise Time	—	90	—		
T _{d(off)}	Turn - Off Delay Time	—	287	—		
t _f	Fall Time	—	60	—		
E _{on}	Turn - On Switching Energy	—	10	—	mJ	
E _{off(1)}	Total Switching Energy	—	4	—		
E _{ts(1)}	Turn - On Switching Energy	—	14	20		
C _{ies}	Input Capacitance	—	8933	—	pF	V _{GE} = 0V V _{CC} = 30V f=1MHZ
C _{oes}	Output Capacitance	—	397	—		
C _{res}	Reverse Transfer Capacitance	—	77	—		
t _{rr}	Diode Reverse Recovery Time	—	101	—	nS	I _c = 50A
I _{rr}	Diode Peak Reverse Current	—	66	—	A	R _{G1} =15Ω
Q _{rr}	Diode Recovery Charge	—	3616	—	nC	R _{G2} =0Ω
di(rec)M/dt	Diode Peak Rate of Fall of Recovery During t _b	—	999	—	A/μs	V _{CC} =720V di/dt=1200A/μs
T _{sc}	Short circuit withstand time	10	—	—	μs	V _{CC} =720V, V _{GE} =±15V Min. R _{G1} =15Ω, V _{CEP} =1100V