
HB56G232 Series, HB56G132 Series

HB56G232B/SB
8 MB FP DRAM SIMM
2-Mword \times 32-bit, 1 k Refresh, 2-Bank Module
(4 pcs of 1 M \times 16 Components)

HB56G132B/SB
4 MB FP DRAM SIMM
1-Mword \times 32-bit, 1 k Refresh, 1-Bank Module
(2 pcs of 1 M \times 16 Components)

HITACHI

ADE-203-701C (Z)
Rev.3.0
Nov. 1997

Description

The HB56G232 is a 2M \times 32 dynamic RAM module, mounted 4 pieces of 16-Mbit DRAM (HM5118160) sealed in SOJ package. The HB56G132 is a 1M \times 32 dynamic RAM module, mounted 2 pieces of 16-Mbit DRAM (HM5118160) sealed in SOJ package. An outline of the HB56G232, HB56G132 is 72-pin single in-line package. Therefore, the HB56G232, HB56G132 make high density mounting possible without surface mount technology. The HB56G232, HB56G132 provide common data inputs and outputs. Decoupling capacitors are mounted on the module board.

Features

- 72-pin single in-line package
 - Outline: 107.95 mm (Length) \times 25.40 mm (Height) \times 9.14/5.28 mm (Thickness)
 - Lead pitch: 1.27 mm
- Single 5 V (\pm 5%) supply
- High speed
 - Access time: $t_{RAC} = 60/70$ ns (max)
- Low power dissipation
 - Active mode : 1.84/1.63 W (max) (HB56G232 Series)
: 1.79/1.58 W (max) (HB56G132 Series)
 - Standby mode: (TTL): 42 mW (max) (HB56G232 Series)
(TTL): 21 mW (max) (HB56G132 Series)
(CMOS): 3.15 mW (max) (L-version) (HB56G232 Series)
(CMOS): 1.58 mW (max) (L-version) (HB56G132 Series)
- Fast page mode capability

HB56G232 Series, HB56G132 Series

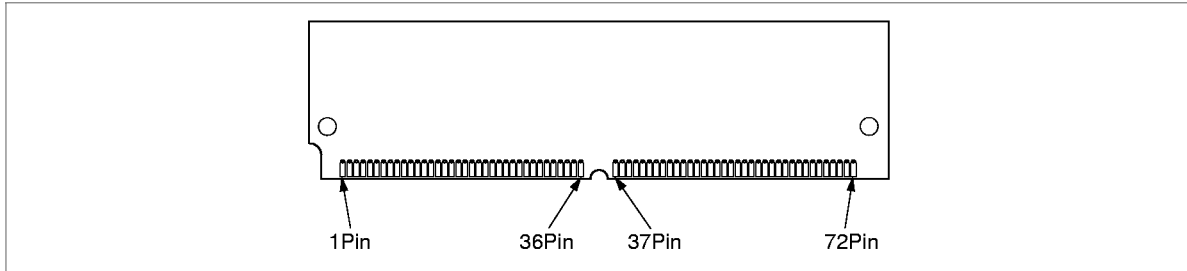
- Refresh period
 - 1024 refresh cycles: 16 ms
: 128 ms (L-version)
- 3 variations of refresh
 - $\overline{\text{RAS}}$ -only refresh
 - $\overline{\text{CAS}}$ -before- $\overline{\text{RAS}}$ refresh
 - Hidden refresh
- TTL compatible

Ordering Information

Type No.	Access time	Package	Contact pad
HB56G232B-6	60 ns	72-pin SIP socket type	Gold
HB56G232B-7	70 ns		
HB56G232B-6L	60 ns		
HB56G232B-7L	70 ns		
HB56G132B-6	60 ns		
HB56G132B-7	70 ns		
HB56G132B-6L	60 ns		
HB56G132B-7L	70 ns		
HB56G232SB-6	60 ns	72-pin SIP socket type	Solder
HB56G232SB-7	70 ns		
HB56G232SB-6L	60 ns		
HB56G232SB-7L	70 ns		
HB56G132SB-6	60 ns		
HB56G132SB-7	70 ns		
HB56G132SB-6L	60 ns		
HB56G132SB-7L	70 ns		

HB56G232 Series, HB56G132 Series

Pin Arrangement



Pin No.	Pin name	Pin No.	Pin name	Pin No.	Pin name	Pin No.	Pin name
1	V _{SS}	19	NC	37	NC	55	DQ11
2	DQ0	20	DQ4	38	NC	56	DQ27
3	DQ16	21	DQ20	39	V _{SS}	57	DQ12
4	DQ1	22	DQ5	40	$\overline{\text{CAS0}}$	58	DQ28
5	DQ17	23	DQ21	41	$\overline{\text{CAS2}}$	59	V _{CC}
6	DQ2	24	DQ6	42	$\overline{\text{CAS3}}$	60	DQ29
7	DQ18	25	DQ22	43	$\overline{\text{CAS1}}$	61	DQ13
8	DQ3	26	DQ7	44	$\overline{\text{RAS0}}$	62	DQ30
9	DQ19	27	DQ23	45	$\overline{\text{RAS1}}$ (NC)* ²	63	DQ14
10	V _{CC}	28	A7	46	NC	64	DQ31
11	NC	29	NC	47	$\overline{\text{WE}}$	65	DQ15
12	A0	30	V _{CC}	48	NC	66	NC
13	A1	31	A8	49	DQ8	67	PD1
14	A2	32	A9	50	DQ24	68	PD2
15	A3	33	$\overline{\text{RAS3}}$ (NC)* ¹	51	DQ9	69	PD3
16	A4	34	$\overline{\text{RAS2}}$	52	DQ25	70	PD4
17	A5	35	NC	53	DQ10	71	NC
18	A6	36	NC	54	DQ26	72	V _{SS}

Notes: 1. $\overline{\text{RAS3}}$: HB56G232, NC: HB56G132
 2. $\overline{\text{RAS1}}$: HB56G232, NC: HB56G132

HB56G232 Series, HB56G132 Series

Pin Description

Pin name	Function
A0 to A9	Address inputs: Row address: A0 to A9 Column address: A0 to A9 Refresh address: A0 to A9
DQ0 to DQ31	Data-in/Data-out
$\overline{\text{CAS0}}$ to $\overline{\text{CAS3}}$	Column address strobe
$\overline{\text{RAS0}}$ to $\overline{\text{RAS3}}$	Row address strobe
$\overline{\text{WE}}$	Read/Write enable
V_{cc}	Power supply
V_{ss}	Ground
PD1 to PD4	Presence detect pin
NC	No connection

Presence Detect Pin Arrangement (HB56G232)

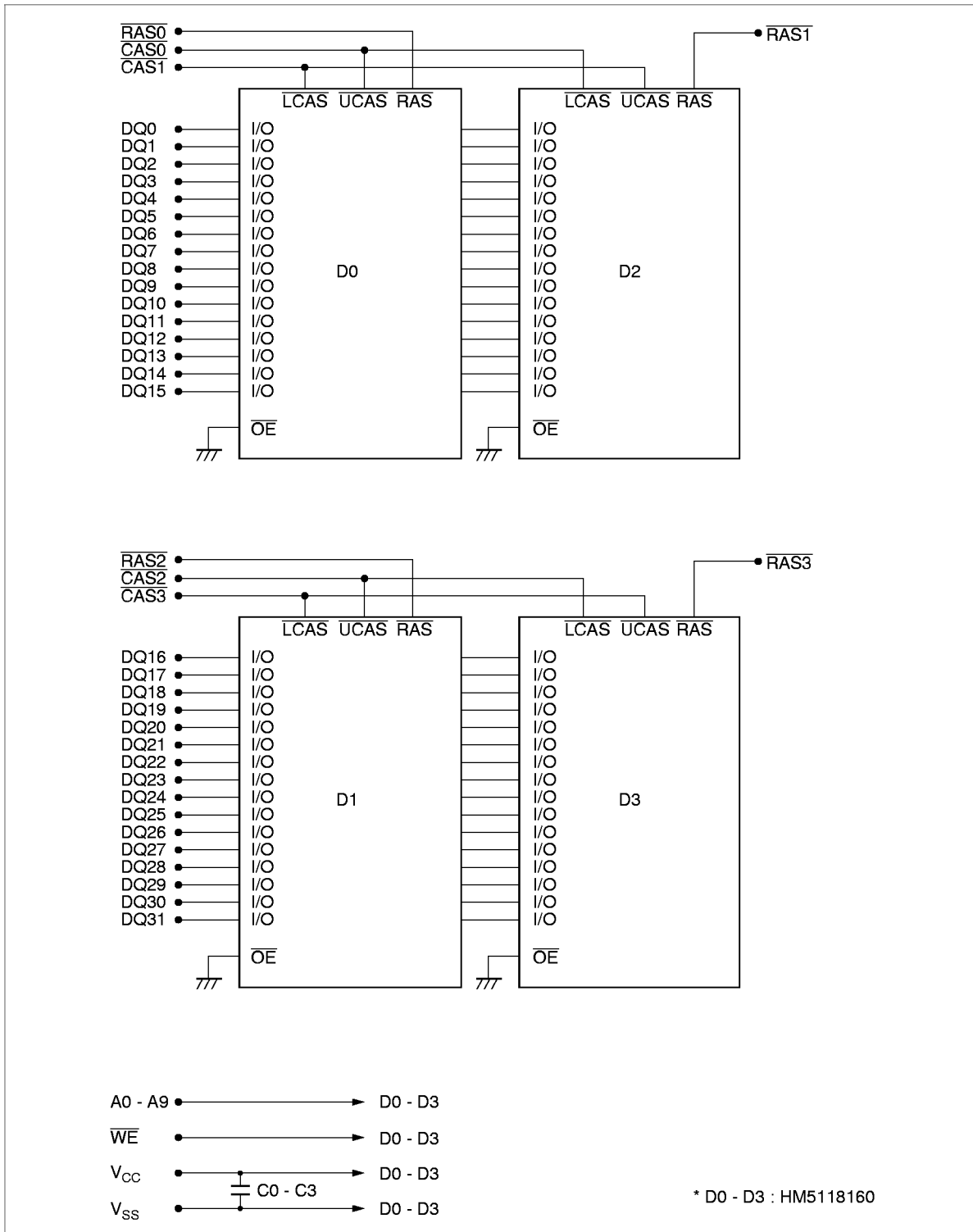
Pin No.	Pin name	Function	
		60 ns	70 ns
67	PD1	NC	NC
68	PD2	NC	NC
69	PD3	NC	V_{ss}
70	PD4	NC	NC

Presence Detect Pin Arrangement (HB56G132)

Pin No.	Pin name	Function	
		60 ns	70 ns
67	PD1	V_{ss}	V_{ss}
68	PD2	V_{ss}	V_{ss}
69	PD3	NC	V_{ss}
70	PD4	NC	NC

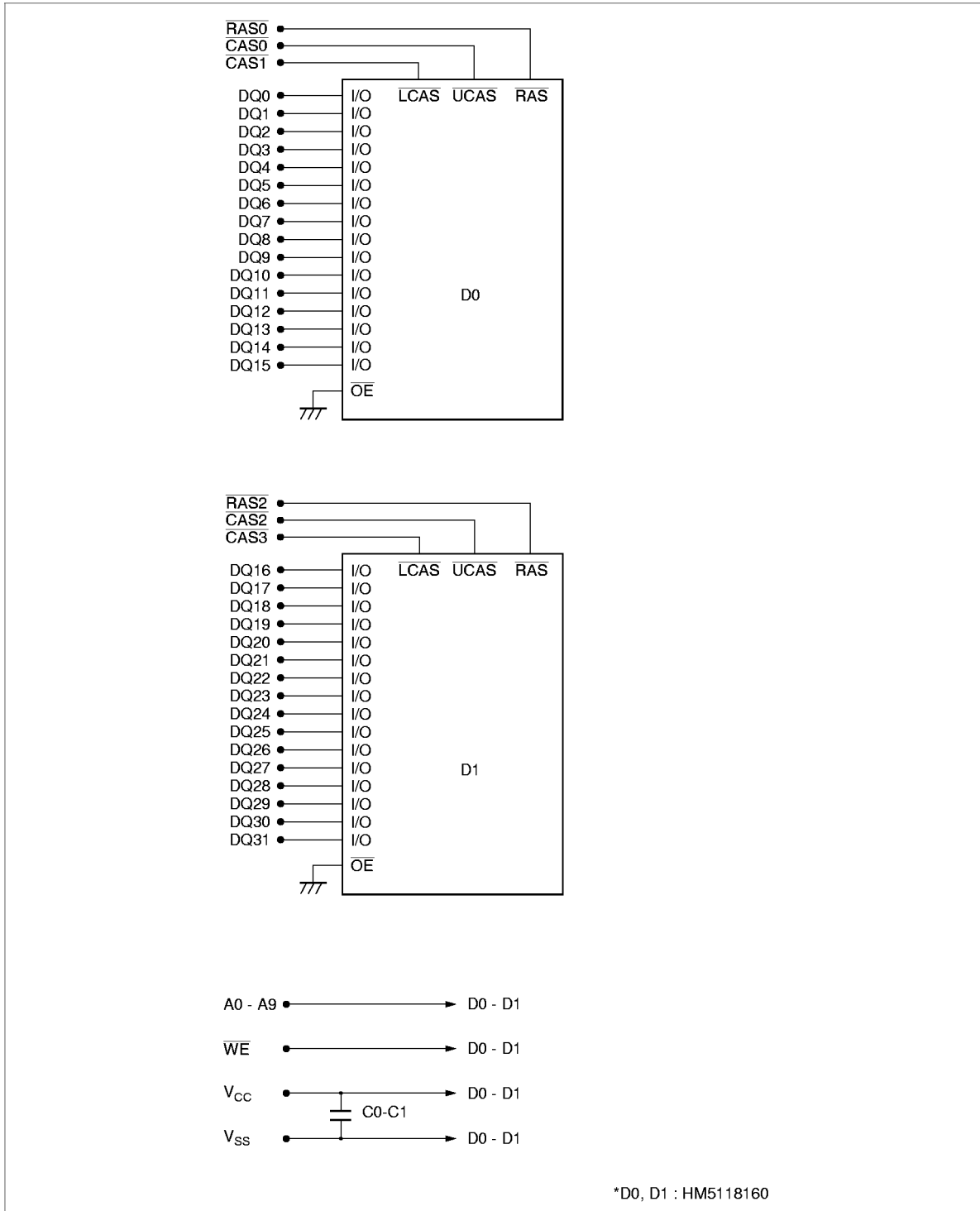
HB56G232 Series, HB56G132 Series

Block Diagram (HB56G232)



HB56G232 Series, HB56G132 Series

Block Diagram (HB56G132)



Absolute Maximum Ratings

HB56G232 Series, HB56G132 Series

Parameter	Symbol	Value	Unit
Voltage on any pin relative to V_{SS}	V_T	-1.0 to +7.0	V
Supply voltage relative to V_{SS}	V_{CC}	-1.0 to +7.0	V
Short circuit output current	I_{out}	50	mA
Power dissipation	P_t	2	W
Operating temperature	T_{opr}	0 to +70	°C
Storage temperature	T_{stg}	-55 to +125	°C

Recommended DC Operating Conditions ($T_a = 0$ to 70°C)

Parameter	Symbol	Min	Typ	Max	Unit	Note
Supply voltage	V_{SS}	0	0	0	V	
	V_{CC}	4.75	5.0	5.25	V	1
Input high voltage	V_{IH}	2.4	—	5.5	V	1
Input low voltage	V_{IL}	-1.0	—	0.8	V	1

Note: 1. All voltage referred to V_{SS} .

HB56G232 Series, HB56G132 Series

DC Characteristics (Ta = 0 to 70°C, V_{CC} = 5 V ± 5%, V_{SS} = 0 V) (HB56G232)

Parameter	Symbol	60 ns		70 ns		Unit	Test conditions	Notes
		Min	Max	Min	Max			
Operating current	I _{CC1}	—	350	—	310	mA	t _{RC} = min	1, 2
Standby current	I _{CC2}	—	8	—	8	mA	TTL interface, R _{AS} , C _{AS} = V _{IH} , Dout = High-Z	
		—	4	—	4	mA	CMOS interface, R _{AS} , C _{AS} ≥ V _{CC} - 0.2 V, Dout = High-Z	
Standby current (L-version)	I _{CC2}	—	0.6	—	0.6	mA	CMOS interface, R _{AS} , C _{AS} ≥ V _{CC} - 0.2 V, Dout = High-Z	
R _{AS} -only refresh current	I _{CC3}	—	350	—	310	mA	t _{RC} = min	2
Standby current	I _{CC5}	—	20	—	20	mA	R _{AS} = V _{IH} , C _{AS} = V _{IL} , Dout = enable	1
C _{AS} -before-R _{AS} refresh current	I _{CC6}	—	350	—	310	mA	t _{RC} = min	
Fast page mode current	I _{CC7}	—	340	—	300	mA	t _{PC} = min	1, 3
Battery backup current (Standby with CBR refresh) (L-version)	I _{CC10}	—	2	—	2	mA	CMOS interface, Dout = High-Z, CBR refresh: t _{RC} = 125 μs, t _{RAS} ≤ 0.3 μs	4
Input leakage current	I _{LI}	-10	10	-10	10	μA	0 V ≤ Vin ≤ 5.5 V	
Output leakage current	I _{LO}	-10	10	-10	10	μA	0 V ≤ Vout ≤ 5.5 V, Dout = disable	
Output high voltage	V _{OH}	2.4	V _{CC}	2.4	V _{CC}	V	High Iout = -5 mA	
Output low voltage	V _{OL}	0	0.4	0	0.4	V	Low Iout = 4.2 mA	

Notes: 1. I_{CC} depends on output load condition when the device is selected, I_{CC} max is specified at the output open condition.

2. Address can be changed once or less while R_{AS} = V_{IL}.

3. Address can be changed once or less while C_{AS} = V_{IH}.

4. V_{IH} ≥ V_{CC} - 0.2 V, 0 V ≤ V_{IL} ≤ 0.2 V.

HB56G232 Series, HB56G132 Series

DC Characteristics ($T_a = 0$ to 70°C , $V_{CC} = 5\text{ V} \pm 5\%$, $V_{SS} = 0\text{ V}$) (HB56G132)

Parameter	Symbol	60 ns		70 ns		Unit	Test conditions	Notes
		Min	Max	Min	Max			
Operating current	I_{CC1}	—	340	—	300	mA	$t_{RC} = \text{min}$	1, 2
Standby current	I_{CC2}	—	4	—	4	mA	TTL interface, $\overline{\text{RAS}}, \overline{\text{CAS}} = V_{IH}$, Dout = High-Z	
		—	2	—	2	mA	CMOS interface, $\text{RAS}, \text{CAS} \geq V_{CC} - 0.2\text{ V}$, Dout = High-Z	
Standby current (L-version)	I_{CC2}	—	0.3	—	0.3	mA	CMOS interface, $\text{RAS}, \text{CAS} \geq V_{CC} - 0.2\text{ V}$, Dout = High-Z	
$\overline{\text{RAS}}$ -only refresh current	I_{CC3}	—	340	—	300	mA	$t_{RC} = \text{min}$	2
Standby current	I_{CC5}	—	10	—	10	mA	$\overline{\text{RAS}} = V_{IH}$, $\overline{\text{CAS}} = V_{IL}$, Dout = enable	1
$\overline{\text{CAS}}$ -before- $\overline{\text{RAS}}$ refresh current	I_{CC6}	—	340	—	300	mA	$t_{RC} = \text{min}$	
Fast page mode current	I_{CC7}	—	330	—	290	mA	$t_{FC} = \text{min}$	1, 3
Battery backup current (Standby with CBR refresh) (L-version)	I_{CC10}	—	1	—	1	mA	CMOS interface, Dout = High-Z, CBR refresh: $t_{RC} = 125\ \mu\text{s}$, $t_{RAS} \leq 0.3\ \mu\text{s}$	4
Input leakage current	I_{LI}	-10	10	-10	10	μA	$0\text{ V} \leq V_{in} \leq 5.5\text{ V}$	
Output leakage current	I_{LO}	-10	10	-10	10	μA	$0\text{ V} \leq V_{out} \leq 5.5\text{ V}$, Dout = disable	
Output high voltage	V_{OH}	2.4	V_{CC}	2.4	V_{CC}	V	High Iout = -5 mA	
Output low voltage	V_{OL}	0	0.4	0	0.4	V	Low Iout = 4.2 mA	

- Notes: 1. I_{CC} depends on output load condition when the device is selected, I_{CC} max is specified at the output open condition.
 2. Address can be changed once or less while $\overline{\text{RAS}} = V_{IL}$.
 3. Address can be changed once or less while $\overline{\text{CAS}} = V_{IH}$.
 4. $V_{IH} \geq V_{CC} - 0.2\text{ V}$, $0\text{ V} \leq V_{IL} \leq 0.2\text{ V}$.

HB56G232 Series, HB56G132 Series

Capacitance (Ta = 25°C, V_{CC} = 5 V ± 5%) (HB56G232)

Parameter	Symbol	Typ	Max	Unit	Notes
Input capacitance (Address)	C ₁₁	—	40	pF	1
Input capacitance (\overline{WE})	C ₁₂	—	48	pF	1
Input capacitance (\overline{RAS})	C ₁₃	—	27	pF	1
Input capacitance (\overline{CAS})	C ₁₄	—	34	pF	1
I/O capacitance (DQ)	C _{I/O}	—	34	pF	1, 2

Notes: 1. Capacitance measured with Boonton Meter or effective capacitance measuring method.
2. \overline{CAS} = V_{IH} to disable Dout.

Capacitance (Ta = 25°C, V_{CC} = 5 V ± 5%) (HB56G132)

Parameter	Symbol	Typ	Max	Unit	Notes
Input capacitance (Address)	C ₁₁	—	30	pF	1
Input capacitance (\overline{WE})	C ₁₂	—	34	pF	1
Input capacitance (\overline{RAS})	C ₁₃	—	27	pF	1
Input capacitance (\overline{CAS})	C ₁₄	—	27	pF	1
I/O capacitance (DQ)	C _{I/O}	—	27	pF	1, 2

Notes: 1. Capacitance measured with Boonton Meter or effective capacitance measuring method.
2. \overline{CAS} = V_{IH} to disable Dout.

HB56G232 Series, HB56G132 Series

AC Characteristics ($T_a = 0$ to 70°C , $V_{CC} = 5\text{ V} \pm 5\%$, $V_{SS} = 0\text{ V}$) *¹, *², *¹⁷

Test Conditions

- Input rise and fall times: 5 ns
- Input timing reference levels: 0.8 V, 2.4 V
- Output timing reference levels: 0.4 V, 2.4 V
- Output load: 2 TTL gate + C_L (100 pF) (Including scope and jig)

Read, Write, and Refresh Cycles (Common parameters)

Parameter	Symbol	60 ns		70 ns		Unit	Notes
		Min	Max	Min	Max		
Random read or write cycle time	t_{RC}	110	—	130	—	ns	
$\overline{\text{RAS}}$ precharge time	t_{RP}	40	—	50	—	ns	
$\overline{\text{CAS}}$ precharge time	t_{CP}	10	—	10	—	ns	
$\overline{\text{RAS}}$ pulse width	t_{RAS}	60	10000	70	10000	ns	
$\overline{\text{CAS}}$ pulse width	t_{CAS}	15	10000	18	10000	ns	
Row address setup time	t_{ASR}	0	—	0	—	ns	
Row address hold time	t_{RAH}	10	—	10	—	ns	
Column address setup time	t_{ASC}	0	—	0	—	ns	
Column address hold time	t_{CAH}	10	—	15	—	ns	
$\overline{\text{RAS}}$ to $\overline{\text{CAS}}$ delay time	t_{RCD}	20	45	20	52	ns	3
$\overline{\text{RAS}}$ to column address delay time	t_{RAD}	15	30	15	35	ns	4
$\overline{\text{RAS}}$ hold time	t_{RSH}	15	—	18	—	ns	
$\overline{\text{CAS}}$ hold time	t_{CSH}	60	—	70	—	ns	
$\overline{\text{CAS}}$ to $\overline{\text{RAS}}$ precharge time	t_{CRP}	5	—	5	—	ns	
$\overline{\text{CAS}}$ delay time from D_{in}	t_{DZC}	0	—	0	—	ns	
Transition time (rise and fall)	t_T	3	50	3	50	ns	5
Refresh period (1,024 cycles)	t_{REF}	—	16	—	16	ms	
Refresh period (1,024 cycles) (L-version)	t_{REF}	—	128	—	128	ms	

HB56G232 Series, HB56G132 Series

Read Cycle

Parameter	Symbol	60 ns		70 ns		Unit	Notes
		Min	Max	Min	Max		
Access time from $\overline{\text{RAS}}$	t_{RAC}	—	60	—	70	ns	6, 7
Access time from $\overline{\text{CAS}}$	t_{CAC}	—	15	—	18	ns	7, 8, 15
Access time from address	t_{AA}	—	30	—	35	ns	7, 9, 15
Read command setup time	t_{RCS}	0	—	0	—	ns	
Read command hold time to $\overline{\text{CAS}}$	t_{RCH}	0	—	0	—	ns	10
Read command hold time to $\overline{\text{RAS}}$	t_{RRH}	5	—	5	—	ns	10
Column address to $\overline{\text{RAS}}$ lead time	t_{RAL}	30	—	35	—	ns	
Column address to $\overline{\text{CAS}}$ lead time	t_{CAL}	30	—	35	—	ns	
$\overline{\text{CAS}}$ to output in low-Z	t_{CLZ}	0	—	0	—	ns	
Output data hold time	t_{OH}	3	—	3	—	ns	
Output buffer turn-off time	t_{OFF}	—	15	—	15	ns	11
$\overline{\text{CAS}}$ to Din delay time	t_{CDD}	15	—	18	—	ns	

Write Cycle

Parameter	Symbol	60 ns		70 ns		Unit	Notes
		Min	Max	Min	Max		
Write command setup time	t_{WCS}	0	—	0	—	ns	12
Write command hold time	t_{WCH}	10	—	15	—	ns	
Write command pulse width	t_{WCP}	10	—	10	—	ns	
Data-in setup time	t_{DS}	0	—	0	—	ns	13
Data-in hold time	t_{DH}	10	—	15	—	ns	13

Refresh Cycle

Parameter	Symbol	60 ns		70 ns		Unit	Notes
		Min	Max	Min	Max		
$\overline{\text{CAS}}$ setup time (CBR refresh cycle)	t_{CSR}	5	—	5	—	ns	
$\overline{\text{CAS}}$ hold time (CBR refresh cycle)	t_{CHR}	10	—	10	—	ns	
$\overline{\text{RAS}}$ precharge to $\overline{\text{CAS}}$ hold time	t_{RPC}	5	—	5	—	ns	

HB56G232 Series, HB56G132 Series

Fast Page Mode Cycle

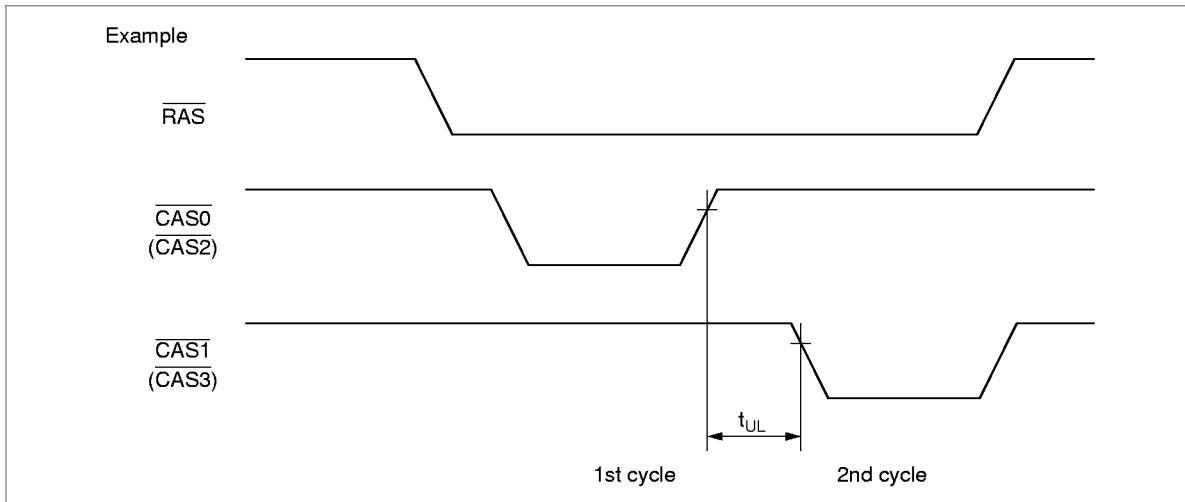
Parameter	Symbol	60 ns		70 ns		Unit	Notes
		Min	Max	Min	Max		
Fast page mode cycle time	t_{PC}	40	—	45	—	ns	
Fast page mode \overline{RAS} pulse width	t_{RASP}	—	100000	—	100000	ns	14
Access time from \overline{CAS} precharge	t_{CPA}	—	35	—	40	ns	7, 15
\overline{RAS} hold time from \overline{CAS} precharge	t_{CPRH}	35	—	40	—	ns	

- Notes:
- AC measurements assume $t_T = 5$ ns.
 - An initial pause of 200 μ s is required after power up followed by a minimum of eight initialization cycles (any combination of cycles containing \overline{RAS} -only refresh cycle or \overline{CAS} -before- \overline{RAS} refresh). If the internal refresh counter is used, a minimum of eight \overline{CAS} -before- \overline{RAS} refresh cycles are required.
 - Operation with the t_{RCD} (max) limit insures that t_{RAC} (max) can be met, t_{RCD} (max) is specified as a reference point only; if t_{RCD} is greater than the specified t_{RCD} (max) limit, then access time is controlled exclusively by t_{CAC} .
 - Operation with the t_{RAD} (max) limit insures that t_{RAC} (max) can be met, t_{RAD} (max) is specified as a reference point only; if t_{RAD} is greater than the specified t_{RAD} (max) limit, then access time is controlled exclusively by t_{AA} .
 - V_{IH} (min) and V_{IL} (max) are reference levels for measuring timing of input signals. Also, transition times are measured between V_{IH} (min) and V_{IL} (max).
 - Assumes that $t_{RCD} \leq t_{RCD}$ (max) and $t_{RAD} \leq t_{RAD}$ (max). If t_{RCD} or t_{RAD} is greater than the maximum recommended value shown in this table, t_{RAC} exceeds the value shown.
 - Measured with a load circuit equivalent to 2 TTL loads and 100 pF.
 - Assumes that $t_{RCD} \geq t_{RCD}$ (max) and $t_{RCD} + t_{CAC}$ (max) $\geq t_{RAD} + t_{AA}$ (max).
 - Assumes that $t_{RAD} \geq t_{RAD}$ (max) and $t_{RCD} + t_{CAC}$ (max) $\leq t_{RAD} + t_{AA}$ (max).
 - Either t_{RCH} or t_{RRH} must be satisfied for a read cycles.
 - t_{OFF} (max) defines the time at which the outputs achieve the open circuit condition and are not referred to output voltage levels.
 - Early write cycle only ($t_{WCS} \geq t_{WCS}$ (min)).
 - These parameters are referred to \overline{CAS} leading edge in early write cycles.
 - t_{RASP} defines \overline{RAS} pulse width in Fast page mode cycles.
 - Access time is determined by the longest among t_{AA} , t_{CAC} and t_{CPA} .
 - When output buffers are enabled once, sustain the low impedance state until valid data is obtained. When output buffer is turned on and off within a very short time, generally it causes large V_{CC} / V_{SS} line noise, which causes to degrade V_{IH} min./ V_{IL} max level.
 - All the V_{CC} and V_{SS} pins shall be supplied with the same voltages.
 - XXX: H or L (H: V_{IH} (min) $\leq V_{IN} \leq V_{IH}$ (max), L: V_{IL} (min) $\leq V_{IN} \leq V_{IL}$ (max))
 //////////////: Invalid Dout
 When the address, clock and input pins are not described on timing waveforms, their pins must be applied V_{IH} or V_{IL} .

HB56G232 Series, HB56G132 Series

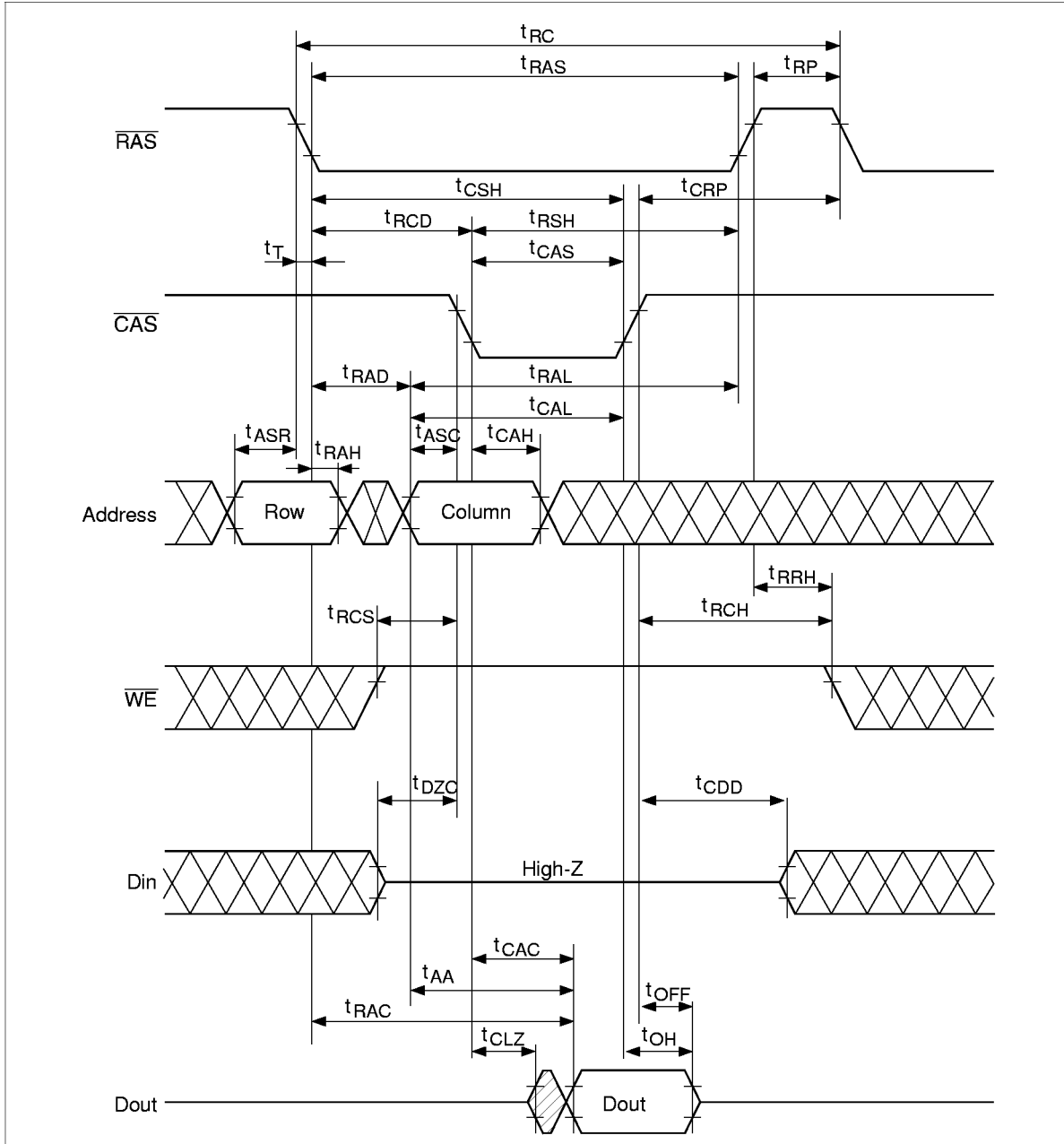
Notes concerning $2\overline{\text{CAS}}$ control

1. In one memory cycle, activate both of $2\overline{\text{CAS}}$ s ($\overline{\text{CAS0}}$ and $\overline{\text{CAS1}}$ (or $\overline{\text{CAS2}}$ and $\overline{\text{CAS3}}$) or only one of them or neither of them.
2. If the different $\overline{\text{CAS}}$ s are activated in the consecutive page cycles, t_{UL} , the period that both $\overline{\text{CAS}}$ s are high, should be keep t_{CP} spec ($t_{\text{CP min}} \leq t_{\text{UL}}$).



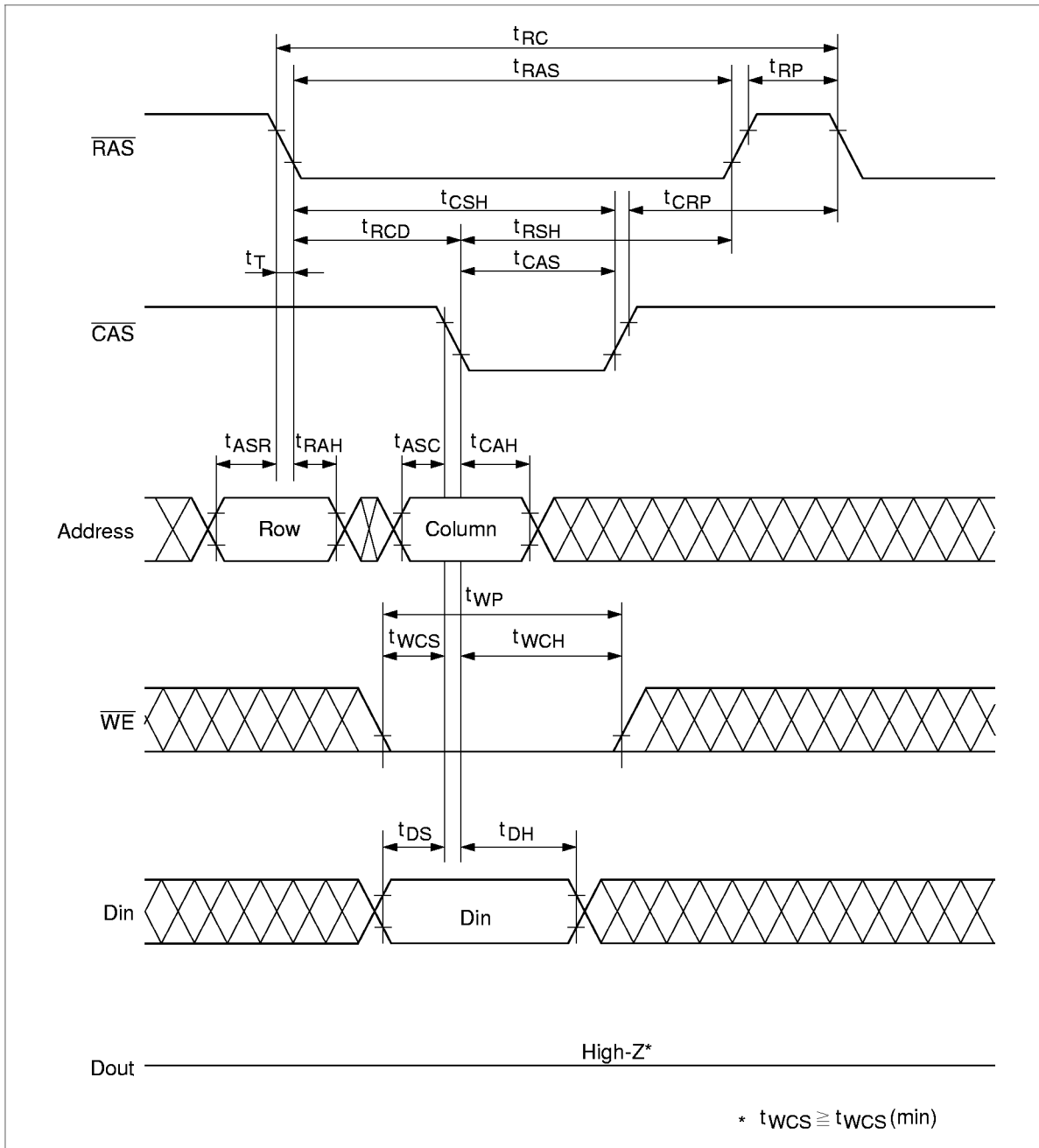
Timing Waveforms*18

Read Cycle



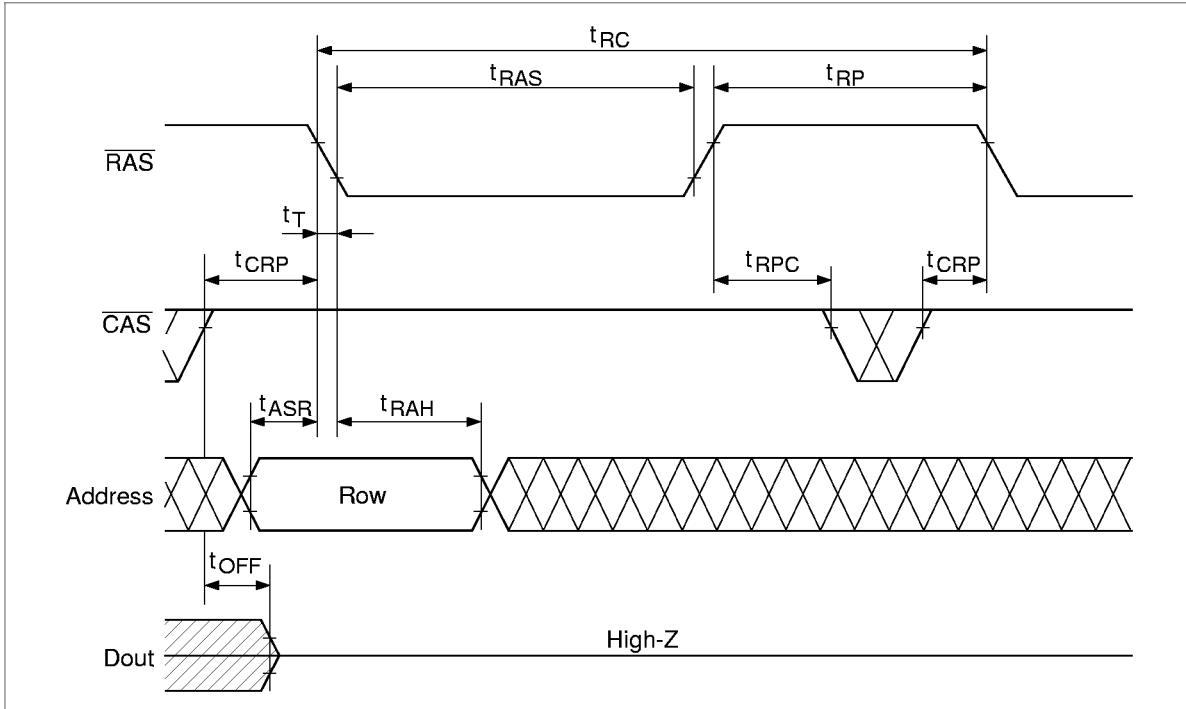
HB56G232 Series, HB56G132 Series

Early Write Cycle



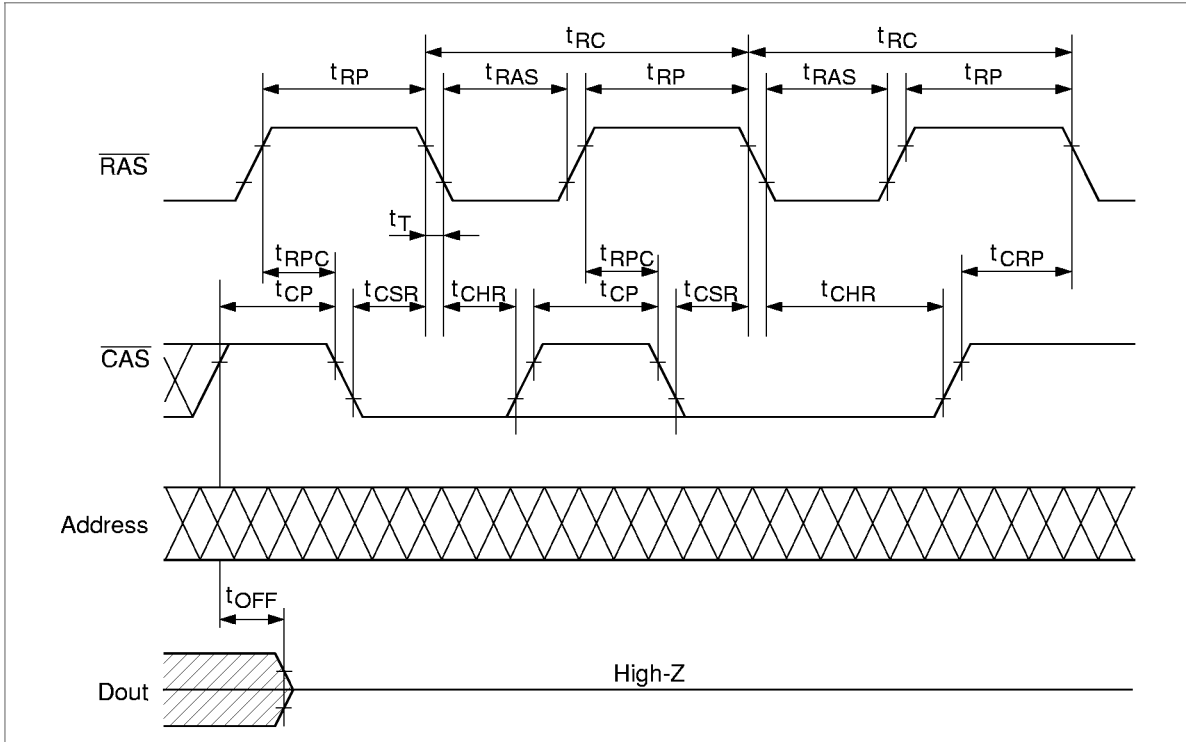
HB56G232 Series, HB56G132 Series

$\overline{\text{RAS}}$ -Only Refresh Cycle

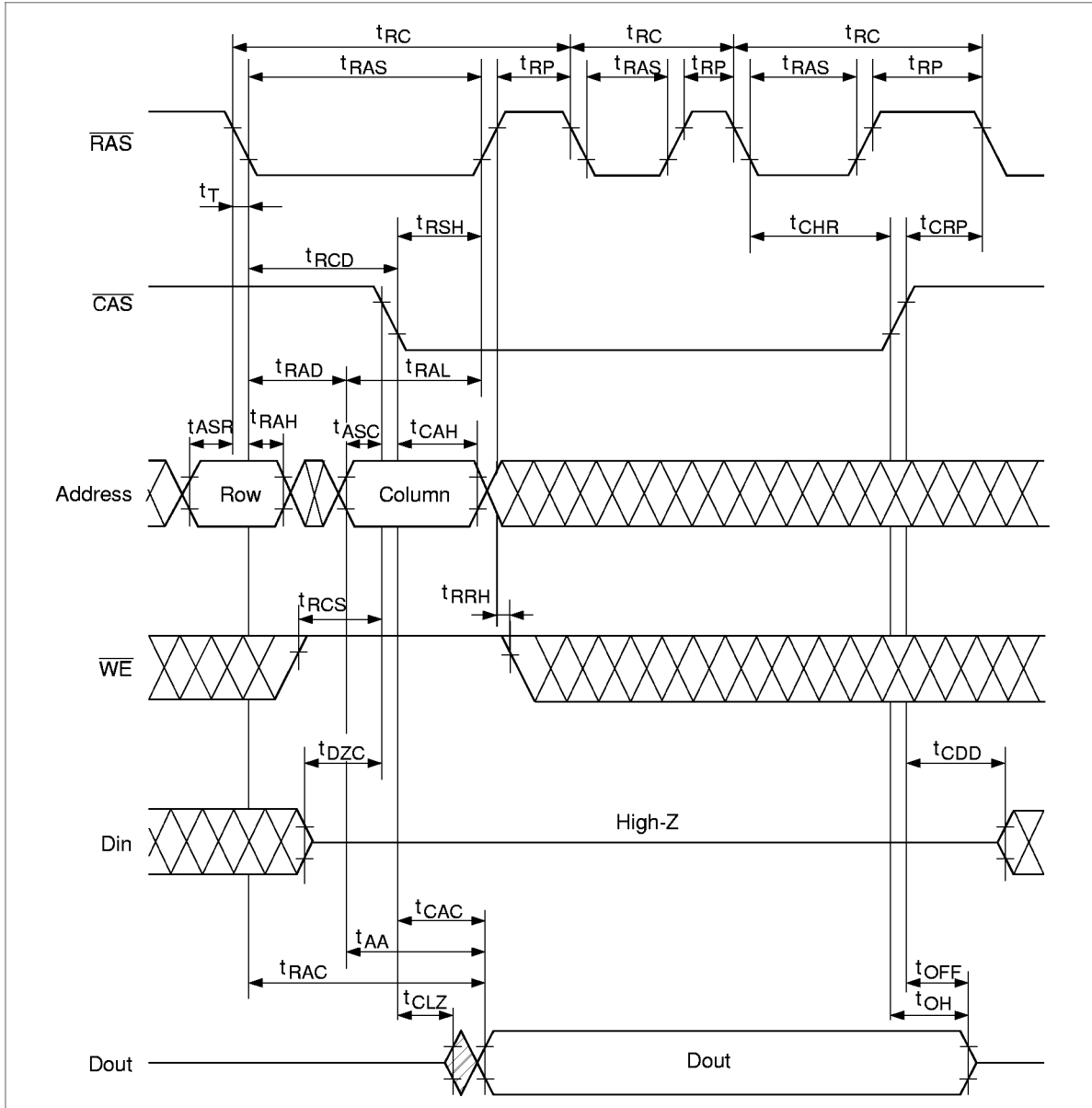


HB56G232 Series, HB56G132 Series

$\overline{\text{CAS}}$ -Before- $\overline{\text{RAS}}$ Refresh Cycle

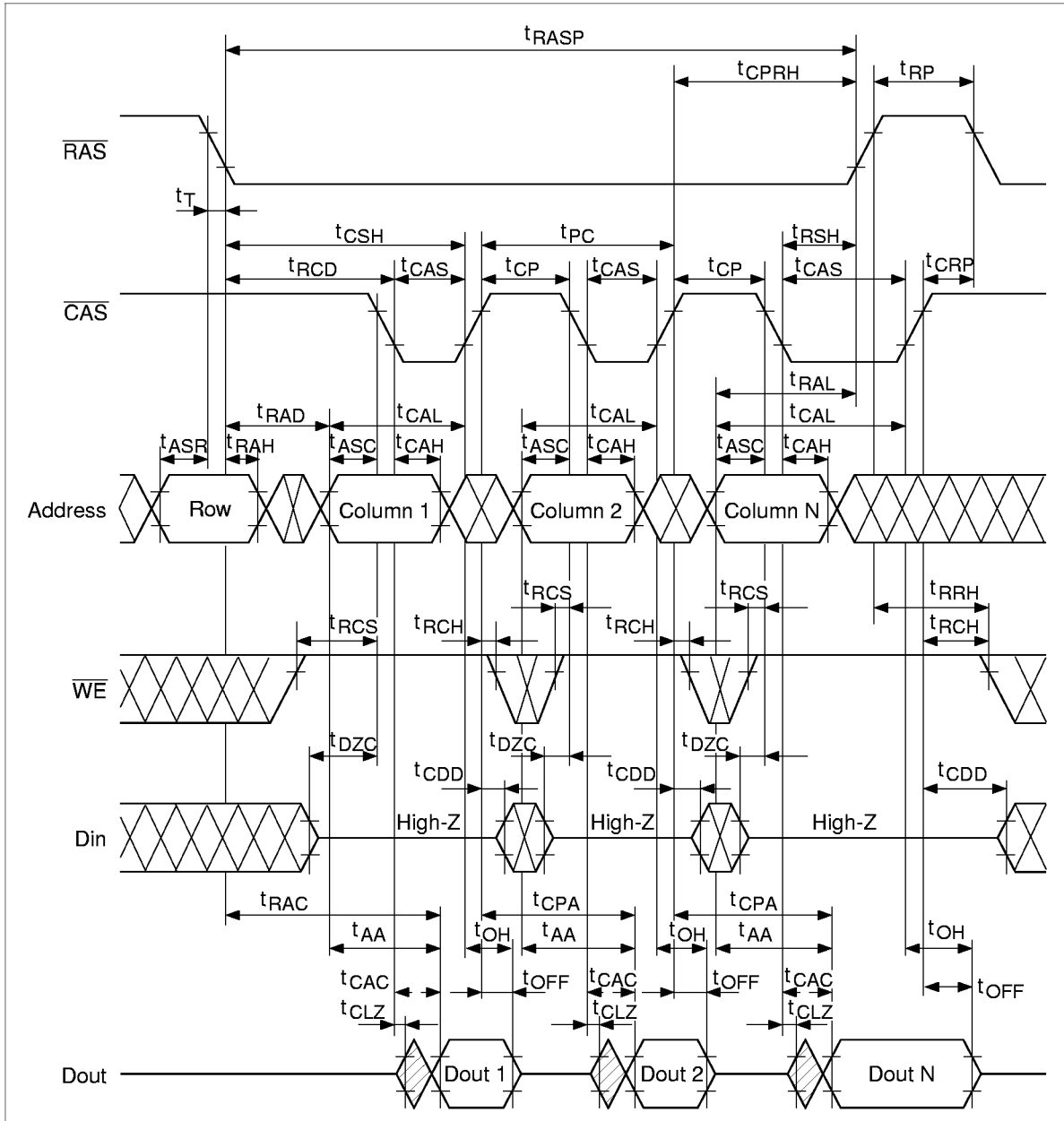


Hidden Refresh Cycle

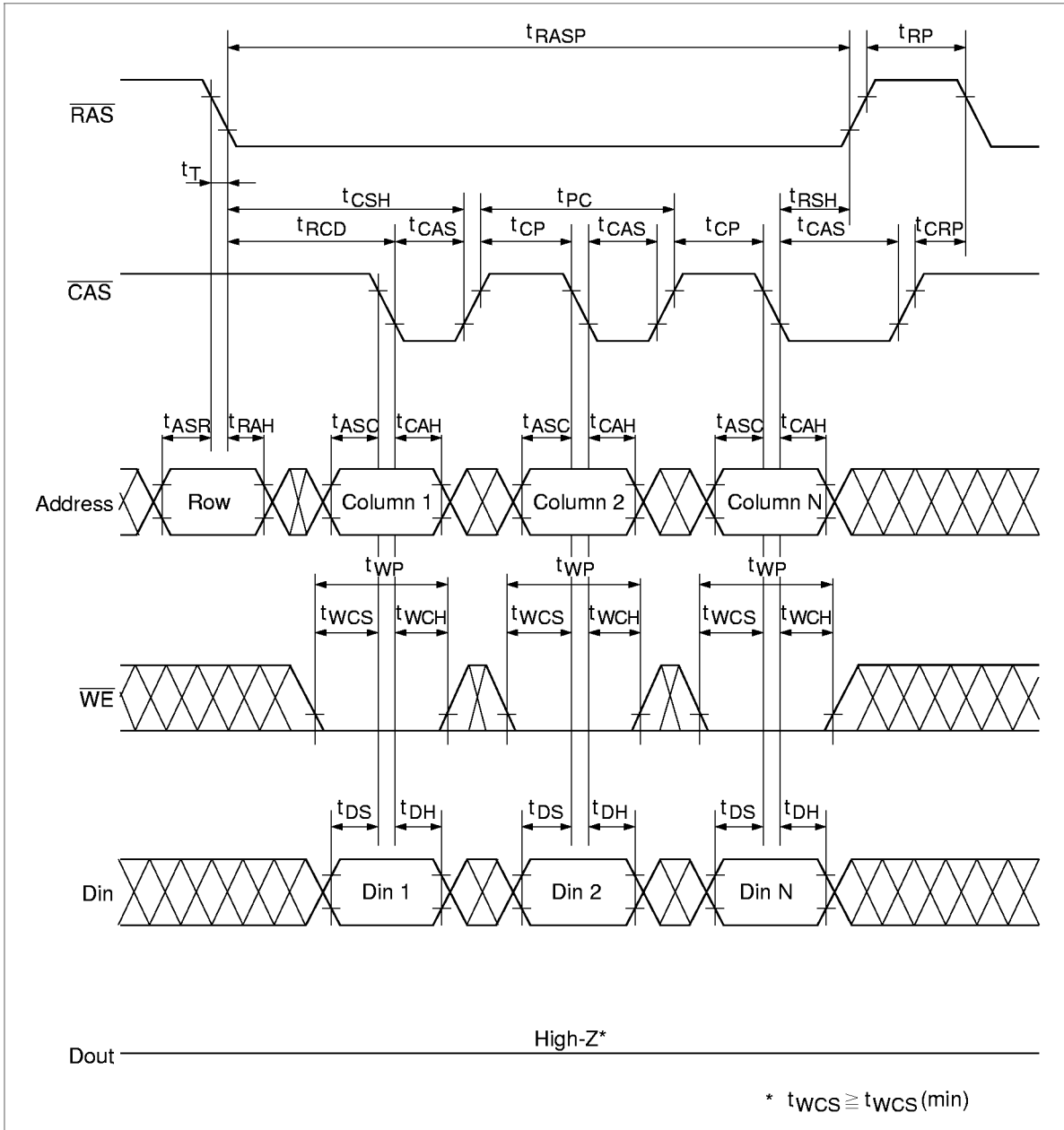


HB56G232 Series, HB56G132 Series

Fast Page Mode Read Cycle



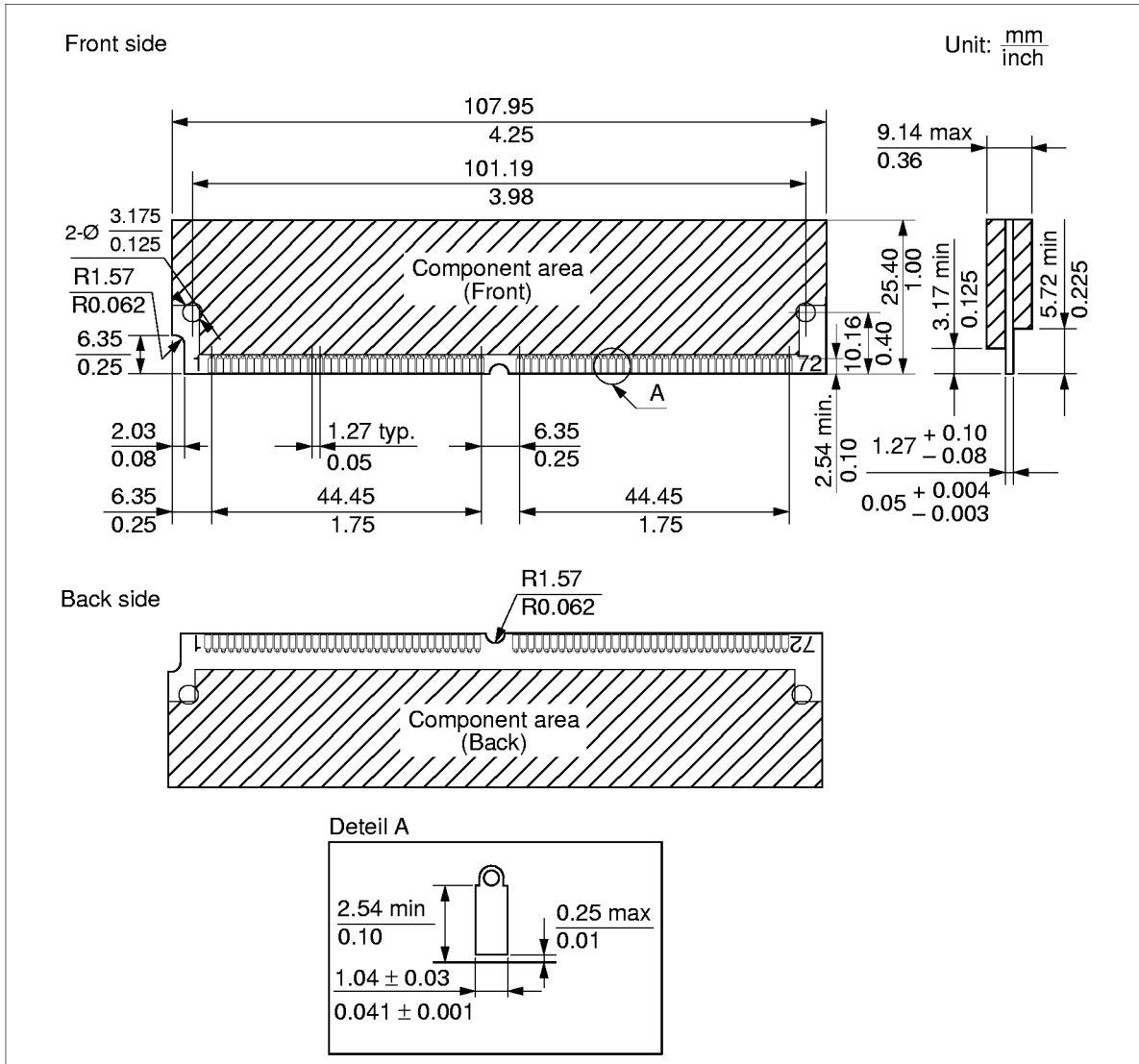
Fast Page Mode Early Write Cycle



HB56G232 Series, HB56G132 Series

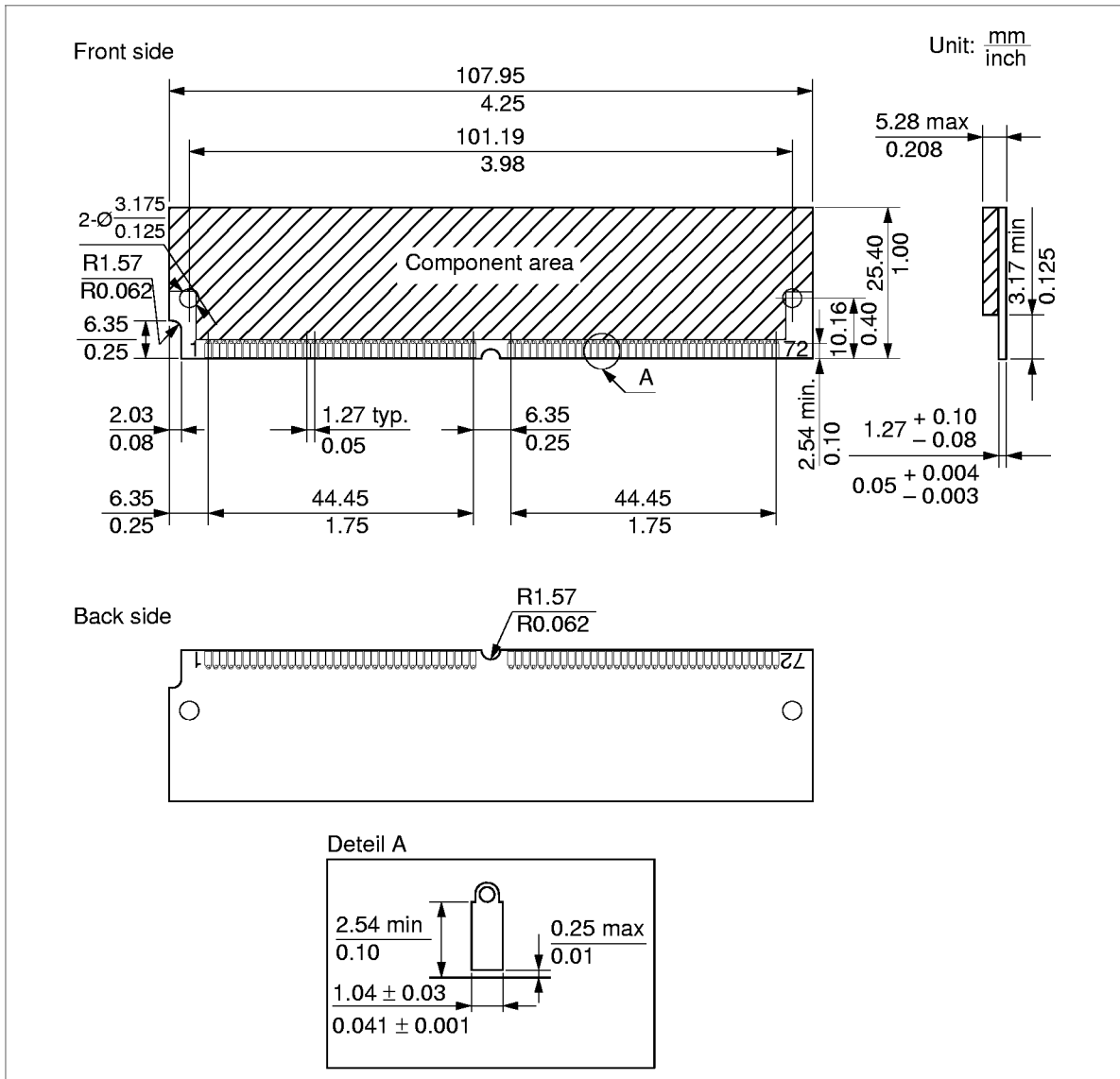
Physical Outline

HB56G232B/SB Series



HB56G232 Series, HB56G132 Series

HB56G132B/SB Series



HB56G232 Series, HB56G132 Series

When using this document, keep the following in mind:

1. This document may, wholly or partially, be subject to change without notice.
2. All rights are reserved: No one is permitted to reproduce or duplicate, in any form, the whole or part of this document without Hitachi's permission.
3. Hitachi will not be held responsible for any damage to the user that may result from accidents or any other reasons during operation of the user's unit according to this document.
4. Circuitry and other examples described herein are meant merely to indicate the characteristics and performance of Hitachi's semiconductor products. Hitachi assumes no responsibility for any intellectual property claims or other problems that may result from applications based on the examples described herein.
5. No license is granted by implication or otherwise under any patents or other rights of any third party or Hitachi, Ltd.
6. **MEDICAL APPLICATIONS:** Hitachi's products are not authorized for use in **MEDICAL APPLICATIONS** without the written consent of the appropriate officer of Hitachi's sales company. Such use includes, but is not limited to, use in life support systems. Buyers of Hitachi's products are requested to notify the relevant Hitachi sales offices when planning to use the products in **MEDICAL APPLICATIONS**.

HITACHI

Hitachi, Ltd.

Semiconductor & IC Div.
Nippon Bldg., 2-6-2, Ohte-machi, Chiyoda-ku, Tokyo 100, Japan
Tel: Tokyo (03) 3270-2111
Fax: (03) 3270-5109

For further information write to:

Hitachi Semiconductor
(America) Inc.
2000 Sierra Point Parkway
Brisbane, CA. 94005-1897
U S A
Tel: 800-285-1601
Fax: 303-297-0447

Hitachi Europe GmbH
Continental Europe
Dornacher Straße 3
D-85622 Feldkirchen
München
Tel: 089-9 91 80-0
Fax: 089-9 29 30-00

Hitachi Europe Ltd.
Electronic Components Div.
Northern Europe Headquarters
Whitebrook Park
Lower Cookham Road
Maidenhead
Berkshire SL6 8YA
United Kingdom
Tel: 01628-585000
Fax: 01628-585160

Hitachi Asia Pte. Ltd.
16 Collyer Quay #20-00
Hitachi Tower
Singapore 049318
Tel: 535-2100
Fax: 535-1533

Hitachi Asia (Hong Kong) Ltd.
Unit 706, North Tower,
World Finance Centre,
Harbour City, Canton Road
Tsim Sha Tsui, Kowloon
Hong Kong
Tel: 27359218
Fax: 27306071

Copyright © Hitachi, Ltd., 1997. All rights reserved. Printed in Japan.

HB56G232 Series, HB56G132 Series

Revision Record

Rev.	Date	Contents of Modification	Drawn by	Approved by
1.0	Dec. 27, 1996	Initial issue	S. Tsukui	K. Tsuneda
2.0	Jun. 20, 1997	(referred to HM5116160/HM5118160 rev 3.0) DC Characteristics I_{CC7} Max : 350/ 310 mA to 340/ 300 mA (HB56G232) I_{CC7} Max : 340/ 300 mA to 330/ 290 mA (HB56G132) AC Characteristics t_{RPC} Min : 0/ 0 ns to 5/ 5 ns	S. Tsukui	K. Tsuneda
3.0	Nov. 1997	Change of Subtitle		
