
LCD Driver IC

PT6524

Description

PT6524 is a General Purpose LCD Driver IC utilizing CMOS Technology specially designed for electronic tuners controlled by microcontroller. It can drive up to a maximum of 204 segment outputs and can control up to 12 general purpose output ports. Pin assignments and application circuit are optimized for easy PCB layout and cost saving advantages.

Features

- CMOS Technology
- Up to 4 Common and 51 Segment Drivers
- Up to 204 LCD Segments
- Up to 12 General Purpose Output Ports
- 1/4 Duty – 1/2 Bias or 1/4 Duty – 1/3 Bias Drive Technique
- No Decoder Intervention Necessary to Display the Data
- Power Saving Mode provided
- RC Oscillation Circuit
- Available in 64 pins, QFP or LQFP Package

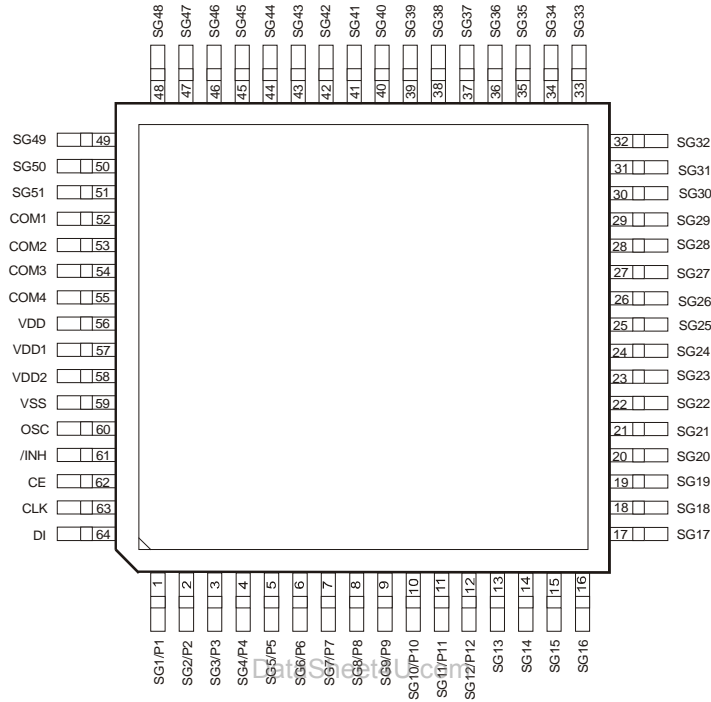
Application

- Frequency Display for Electronic Tuners

LCD Driver IC

PT6524

Pin Configuration



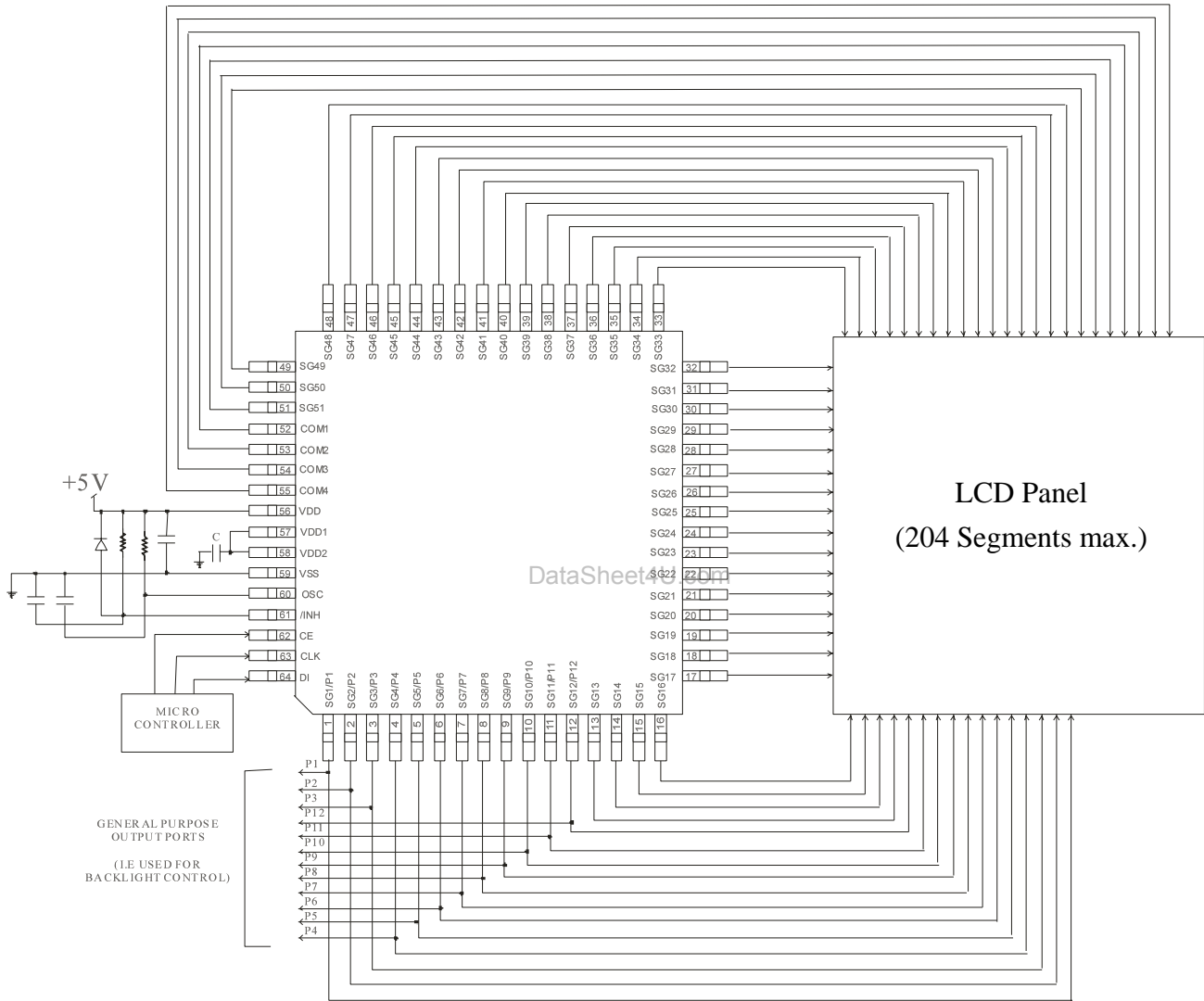
et4U.com

DataShee

LCD Driver IC

PT6524

Application Circuit 1 : 1/2 Bias (Normal Panels)

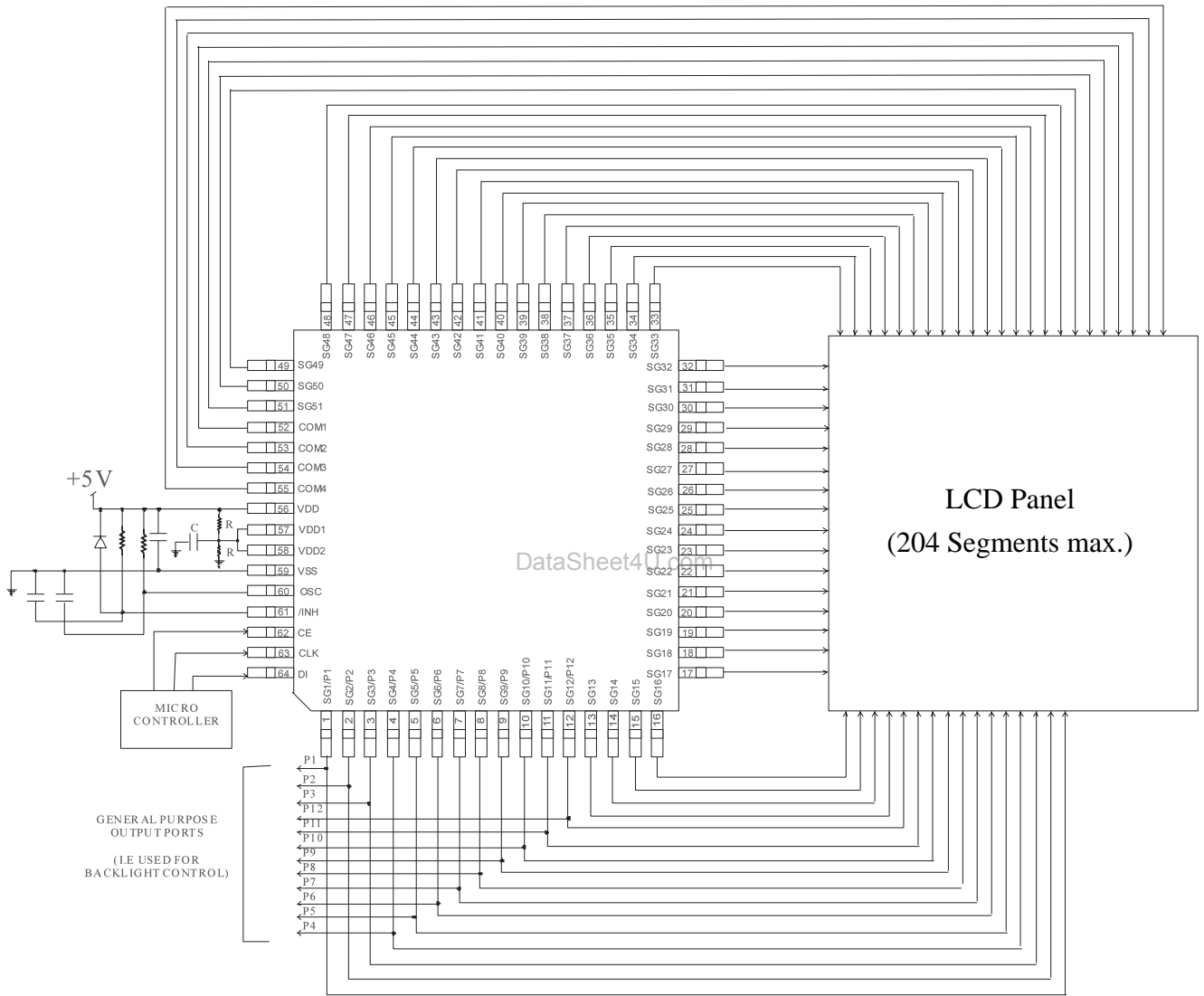


Note: 1. C ≥ 0.047 uF

LCD Driver IC

PT6524

Application Circuit 2: 1/2 Bias (Large Panels)

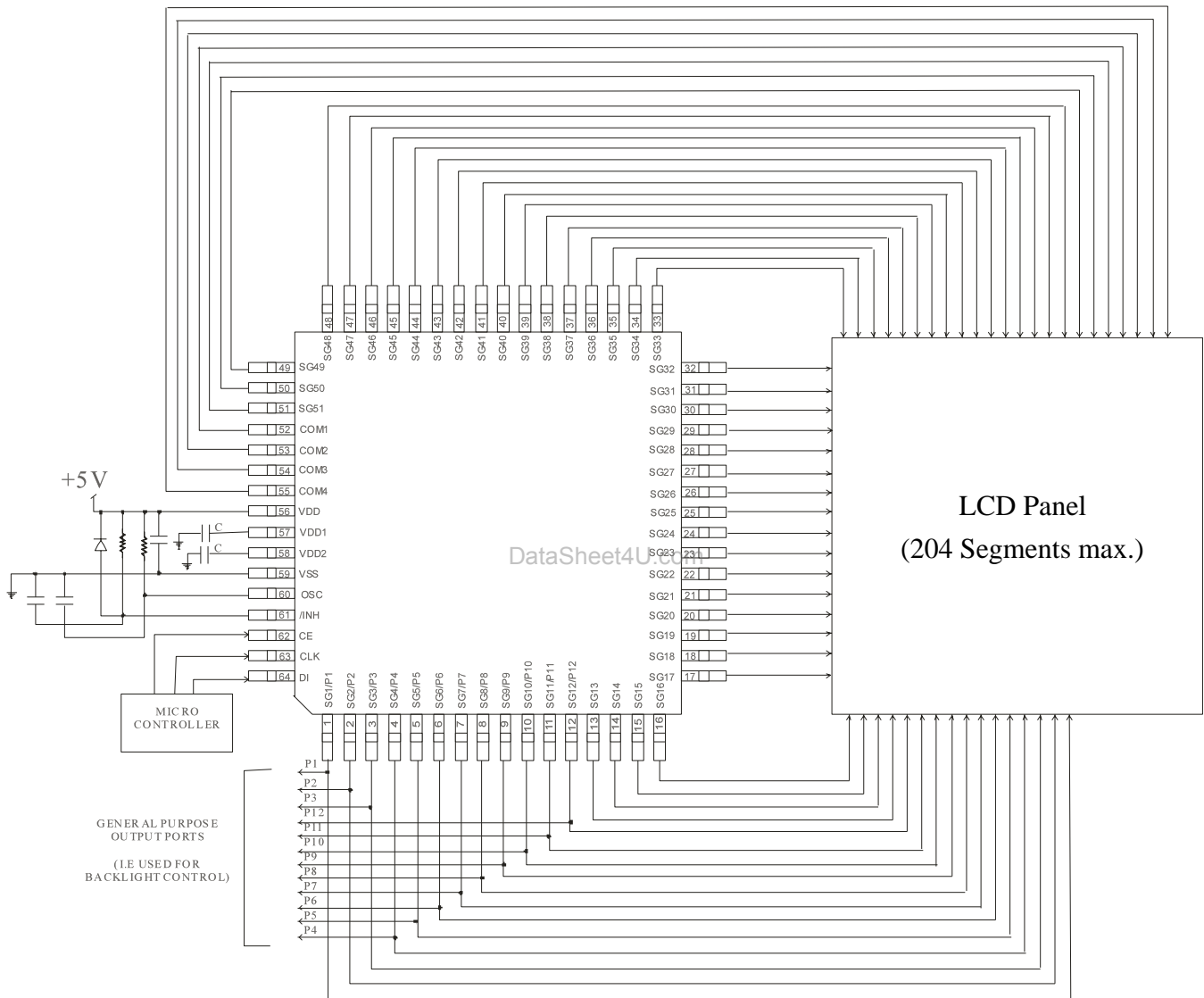


- Notes:
1. $C \geq 0.047\mu F$
 2. $10k\Omega \geq R \geq 1k\Omega$

LCD Driver IC

PT6524

Application Circuit 3: 1/3 Bias (Normal Panels)

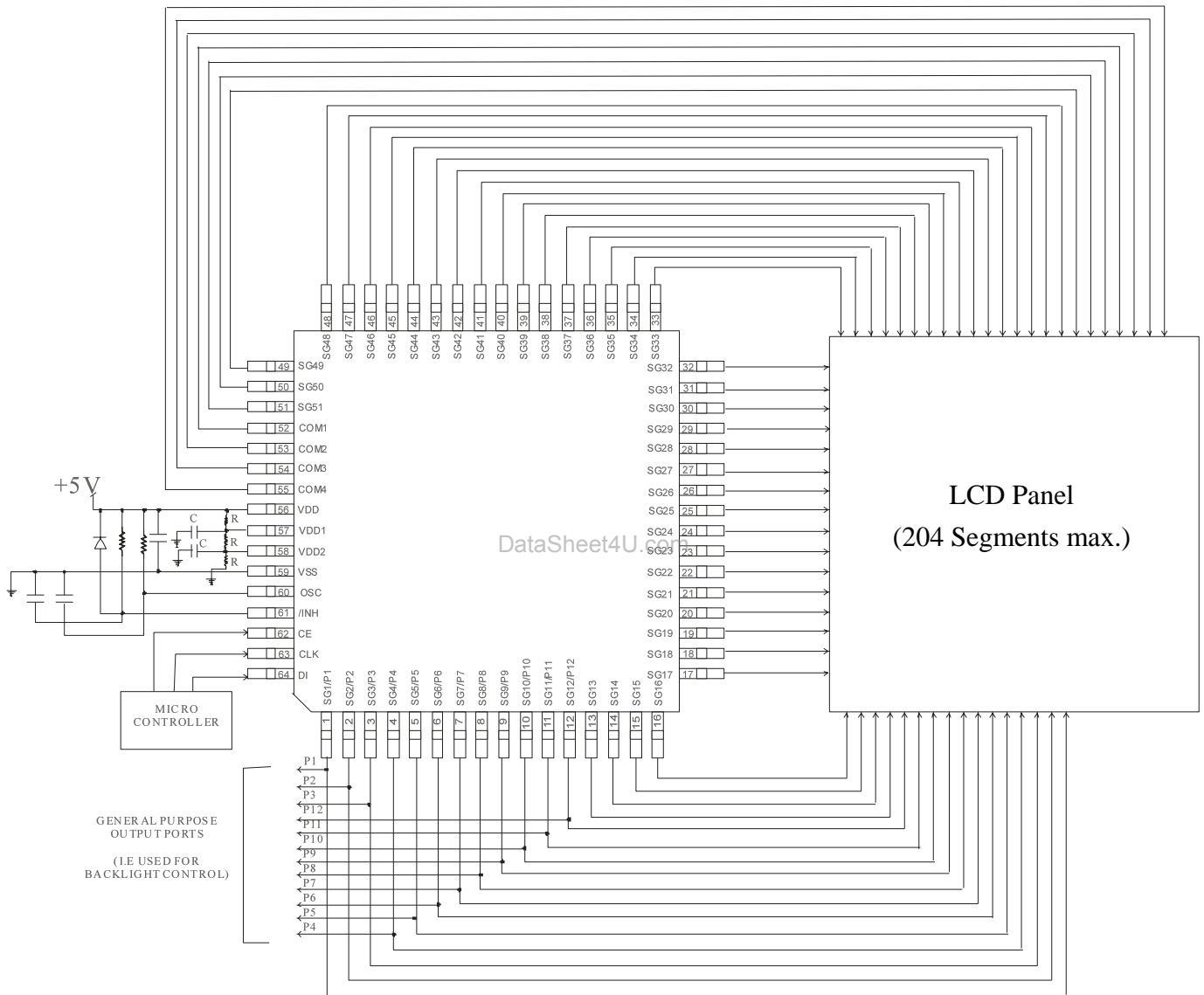


Note: 1. $C \geq 0.047\mu F$

LCD Driver IC

PT6524

Application Circuit 4: 1/3 Bias (Large Panels)



- Notes:
1. $10k\Omega \geq R \geq 1k\Omega$
 2. $C \geq 0.047\mu F$

LCD Driver IC
PT6524

Order Information

Order Part Number	Package Type	Top Code
PT6524	64 Pin QFP package	PT6524
PT6524LQ	64 Pin LQFP package	PT6524LQ
PT6524 $\text{\textcircled{L}}$ or "L" in circle	64 Pin, QFP Package	PT6524
PT6524LQ $\text{\textcircled{L}}$ or "L" in circle	64 Pin, LQFP Package	PT6524LQ

Note: 1. $\text{\textcircled{L}}$ = Lead Free

2. The Lead Free mark is put in front of the date code