

PLEASE CHECK WWW.MOLEX.COM FOR LATEST PART INFORMATION

Part Number: [0511950800](#)
Status: **Active**
Description: HMC™ Rectangular Industrial Female Housing, Multi-Module Type, 8 Circuits

Documents:

[Drawing \(PDF\)](#) [Product Specification PS-58719-006 \(PDF\)](#)
[Product Specification PS-58719-005 \(PDF\)](#) [RoHS Certificate of Compliance \(PDF\)](#)

Agency Certification

CSA	LR19980
TUV	R72081037
UL	E29179

General

Product Family	I/O Connectors
Series	51195
Application	Panel-Mount
Component Type	Housing
Product Name	HMC™
Type	N/A

Physical

Boot Color	N/A
Breakaway	No
Circuits (Loaded)	N/A
Circuits (maximum)	8
Color - Resin	Natural
Durability (mating cycles max)	50
Flammability	94V-0
Gender	Male
Lock to Mating Part	Yes
Material - Plating Mating	n/a
Material - Resin	Nylon
Number of Rows	2
Orientation	Vertical
PCB Locator	No
Packaging Type	Bag
Panel Mount	N/A
Pitch - Mating Interface (in)	0.252 In
Pitch - Mating Interface (mm)	6.40 mm
Pitch - Term. Interface (in)	0.252 In
Pitch - Term. Interface (mm)	6.40 mm
Polarized to Mating Part	No
Polarized to PCB	N/A
Ports	1
Surface Mount Compatible (SMC)	No
Temperature Range - Operating	-55°C to +125°C
Termination Interface: Style	N/A
Waterproof / Dustproof	Yes
Waterproof / Dustproof Type	IP65

Electrical

Current - Maximum per Contact	N/A
Shielded	No
Voltage - Maximum	N/A

Material Info

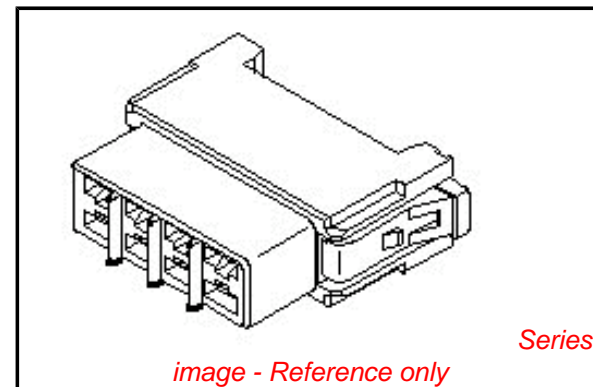


image - Reference only

EU RoHS

**ELV and RoHS
Compliant**
**REACH SVHC
Contains SVHC: No
Halogen-Free
Status**

China RoHS



**Need more information on product
environmental compliance?**

Email productcompliance@molex.com
For a multiple part number RoHS Certificate of Compliance, [click here](#)

Please visit the [Contact Us](#) section for any non-product compliance questions.

Search Parts in this Series

[51195Series](#)

Mates With

[51194-0800](#) housing

Use With

[59319-0*90](#) terminal, [58719](#) panel-mount bracket, [58721](#) hood bracket

Reference - Drawing Numbers

Product Specification

PS-58719-005, PS-58719-006, RPS-51200-001,
RPS-51200-003, RPS-58719-003, RPS-58719-006,
RPS-58719-008
SD-51195-002

Sales Drawing

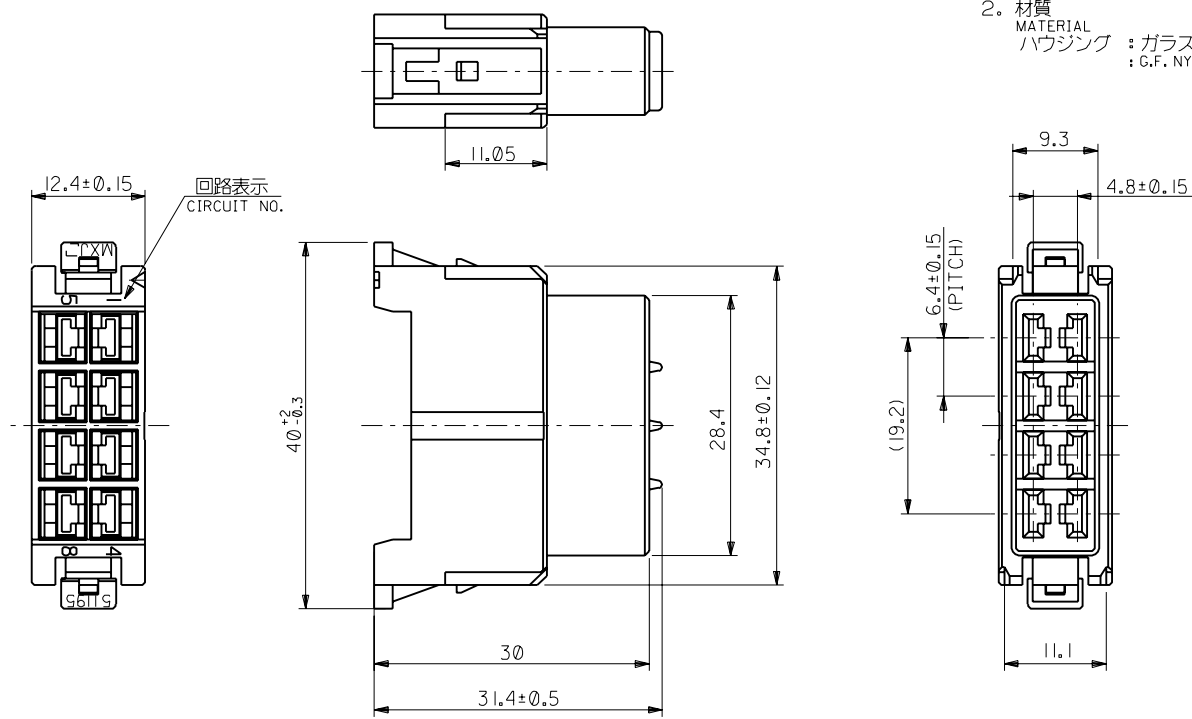
This document was generated on 03/30/2010

PLEASE CHECK WWW.MOLEX.COM FOR LATEST PART INFORMATION

DWG. NO. SD-51195-002

注記
NOTES.

- 適合ターミナル : 50637-0*49 (被覆外径 ϕ 2.8~ ϕ 3.8)
: 59319-0*90 (被覆外径 ϕ 2.2~ ϕ 2.7)
APPLICABLE TERMINAL : 50637-0*49 (INSULATION DIAMETER ϕ 2.8~ ϕ 3.8)
: 59319-0*90 (INSULATION DIAMETER ϕ 2.2~ ϕ 2.7)
- 材質
MATERIAL
ハウジング : ガラス入りナイロン66 UL94V-0 色 : 自然色
: G.F. NYLON UL94V-0 COLOR : NATURAL



DO NOT SCALE DRAWING

EC NO. DRWN: CHK: APPR:	EC NO. DRWN: CHK: APPR:	REVISED '99/03/25 EC NO. JD91284 DRWN: S.SAKIYAMA CHK: YO.ITO APPR: H.IKESUGI	REVISED '98/12/23 EC NO. JD90894 DRWN: Y.TETSUKA CHK: SAKIYAMA/YO.ITO APPR: H.IKESUGI	RELEASED '98/9/9 EC NO. JD90376 DRWN: J.MIYAZAWA CHK: YO.ITO APPR: H.IKESUGI	MATERIAL 材料 # 注記参照 SEE NOTES.	GENERAL TOLERANCES: (UNLESS SPECIFIED) 一般公差	SCALE 2-1	DESIGN UNITS <input checked="" type="checkbox"/> mm <input type="checkbox"/> INCH	THIRD ANGLE PROJECTION	DIMENSIONS: <input type="checkbox"/> mm <input type="checkbox"/> INCH <input checked="" type="checkbox"/> mm ONLY	SHT REV	REVISE ON CAD ONLY
		B	A	0	FINISH 仕上げ #	10 UNDER 未満 +0.2	DRAWN BY & DATE Y. Ito '98/9/9	TITLE: POWER CONN. 8P SOCKET HOUSING				
					WIRE RANGE 適用線径範囲 #	10 OVER 以上 30 UNDER 未満 +0.25	CHECKED BY & DATE Y. Ito	APPROVED BY & DATE J. Ito		MATERIAL NO. SEE CHART	DRAWING NO. SD-51195-002	SHEET NO. 1 OF 1
					INS. RANGE 被覆外径 #	30 OVER 以上 +0.3	CAD FILE NAME 51195002.S01	MATERIAL NO. SEE CHART				SIZE B
						ANGLE 角度 +3°	THIS DRAWING CONTAINS INFORMATION THAT IS PROPRIETARY TO MOLEX INCORPORATED AND SHOULD NOT BE USED WITHOUT WRITTEN PERMISSION.					