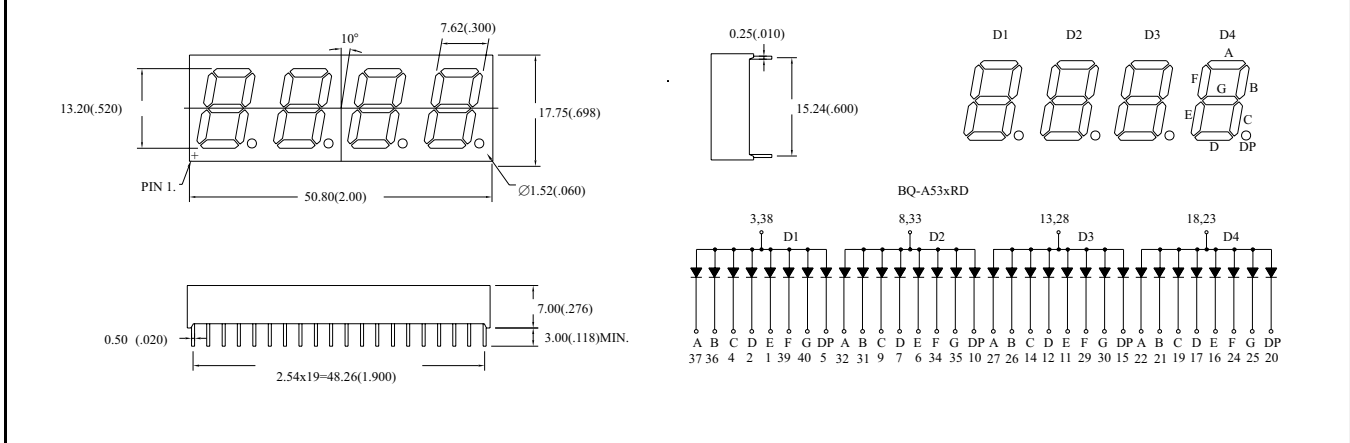




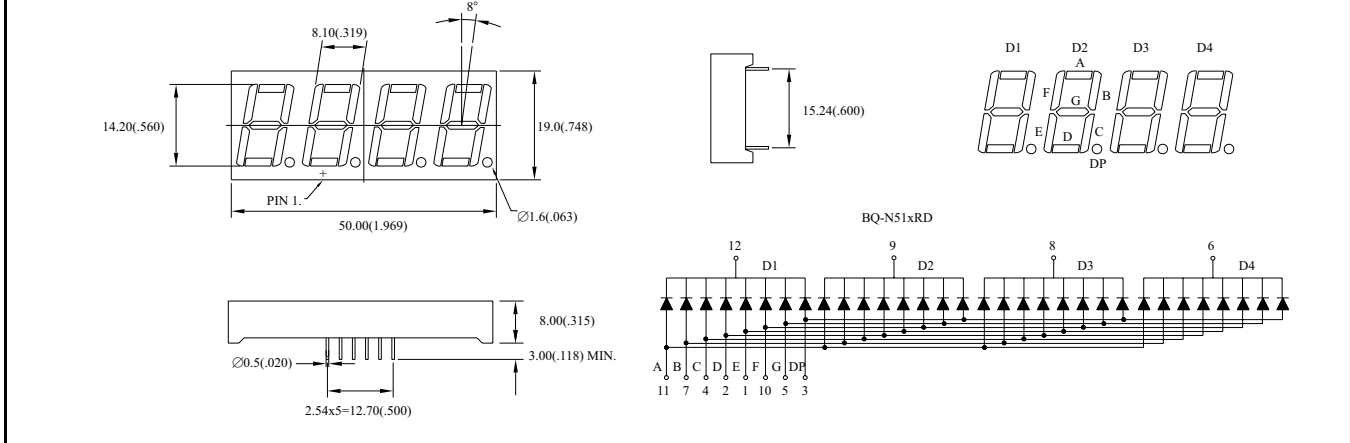
FOUR DIGIT LED DISPLAYS

Digit Size	Part No.		Chip		Absolute Maximum Ratings				Electro-optical Data(At 10mA)			Drawing No.
	Common Anode	Common Cathode	Material/Emitted Color	Peak Wave Length λ_p (nm)	$\Delta \lambda$ (nm)	Pd (mw)	If (mA)	Ifp (mA)	Vf (v)		Iv. Typ. Per.Seg. (mcd)	
									Typ.	Max.		
0.52" Four-Digit	BQ-A531RD	BQ-C531RD	GaAsP/Red	655	40	80	40	200	1.7	2.0	1.0	FD-09
	BQ-A535RD	BQ-C535RD	GaP/ Bright Red	700	90	40	15	50	2.2	2.5	1.5	
	BQ-A535RE	BQ-C535RE										
	BQ-A532RD	BQ-C532RD	GaP/ Green	568	30	80	30	150	2.2	2.5	3.5	
	BQ-A533RD	BQ-C533RD	GaAsP/GaP/ Yellow	585	35	80	30	150	2.1	2.5	2.5	
	BQ-A534RD	BQ-C534RD	GaAsP/GaP/ Hi-Eff.Red	635	45	80	30	150	2.0	2.5	3.5	
			GaAsP/GaP/ Orange									
	BQ-A536RD	BQ-C536RD	GaAlAs/ SH Super Red	660	20	80	30	150	1.7	2.5	6.5	
BQ-A53DRD	BQ-C53DRD	GaAlAs/ DH Super Red	660	20	80	30	150	1.7	2.5	7.5		
0.56" Four-Digit	BQ-M511RD	BQ-N511RD	GaAsP/Red	655	40	80	40	200	1.7	2.0	1.0	FD-10
	BQ-M515RD	BQ-N515RD	GaP/ Bright Red	700	90	40	15	50	2.2	2.5	1.5	
	BQ-M515RE	BQ-N515RE										
	BQ-M512RD	BQ-N512RD	GaP/ Green	568	30	80	30	150	2.2	2.5	3.5	
	BQ-M513RD	BQ-N513RD	GaAsP/GaP/ Yellow	585	35	80	30	150	2.1	2.5	2.5	
	BQ-M514RD	BQ-N514RD	GaAsP/GaP/ Hi-Eff.Red	635	45	80	30	150	2.0	2.5	3.5	
			GaAsP/GaP/ Orange									
	BQ-M516RD	BQ-N516RD	GaAlAs/ SH Super Red	660	20	80	30	150	1.7	2.5	6.5	
BQ-M51DRD	BQ-N51DRD	GaAlAs/ DH Super Red	660	20	80	30	150	1.7	2.5	7.5		

FD-09 BQ-A53xRD



FD-10 BQ-M_N51xRD



- NOTES: 1.All Dimensions are in millimeters(inches).
 2.Tolerance is $\pm 0.25\text{mm}(.010")$.
 3.Specifications are subject to change without notice.
 4.NP:No Pin. 5.NC:No Connect.