

EIAJ Sound Multiplexing Decoder

Preliminary

Description

The CXA2202M, is a bipolar IC designed as EIAJ TV sound multiplexing decoder, provides various functions including sound multiplexing demodulation, broadcast mode identification (stereo/bilingual discrimination display), mode display, and muting.

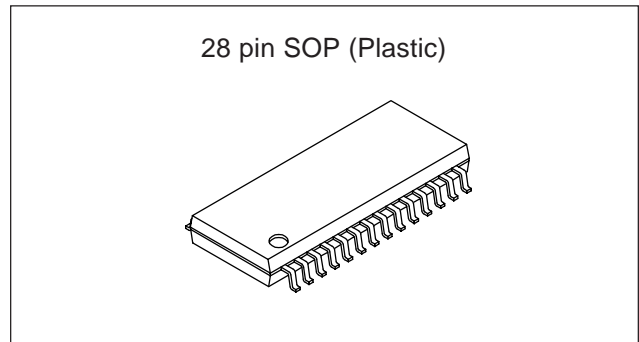
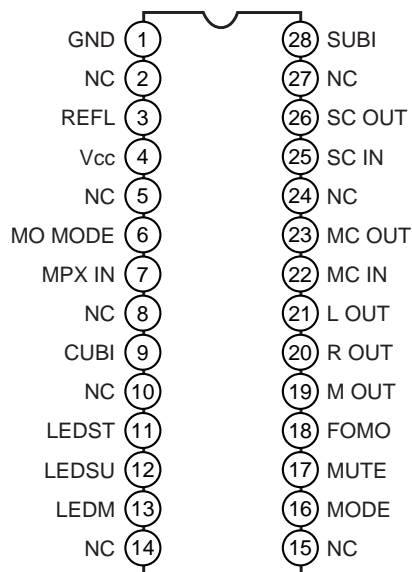
Features

- Adjustment free of filter
- High frequency stereo separation improved
- An internal active filter greatly reduces the external parts
- Use of the countdown method for broadcast mode identification eliminates the necessity of adjusting the identification system (Cue oscillator)
- Internal filter eliminates interference from digital facsimile signals
- The discrimination time needed to shift from multiplexing sound to monaural sound is reduced.
- Output level: 520mVrms (1kHz, monaural, 100%)
- Forced monaural mode can be set to operate only for stereo broadcasts or for stereo/bilingual broadcasts.

Applications

- Color TVs
- Hi-Fi VCRs

Pin Configuration



Structure

Bipolar silicon monolithic IC

Absolute Maximum Ratings (Ta = 25°C)

• Supply voltage	Vcc	10	V
• Input signal (Pin 7)	Vis	0.6	Vp-p
• Control voltage (Pins 6, 16, 17, 18)	Vic	Vcc	V
• Operating temperature	Topr	-20 to +75	°C
• Storage temperature	Tstg	-65 to +150	°C
• Allowable power dissipation	PD	1000	mW
• LED drive current	ILED	10	mA

Operating Supply Voltage Range 8.5 to 9.5 V

Sony reserves the right to change products and specifications without prior notice. This information does not convey any license by any implication or otherwise under any patents or other right. Application circuits shown, if any, are typical examples illustrating the operation of the devices. Sony cannot assume responsibility for any problems arising out of the use of these circuits.

Block Diagram

