

PLEASE CHECK WWW.MOLEX.COM FOR LATEST PART INFORMATION

Part Number: [0352821617](#)
Status: **Active**
Description: 2.28mm (.090") Tab Wire-to-Wire Uniconn Housing, Male, 16 Circuits

Documents:

[Drawing \(PDF\)](#) [RoHS Certificate of Compliance \(PDF\)](#)
[Product Specification PS-35282-001 \(PDF\)](#)

General

Product Family	Crimp Housings
Series	35282
Product Name	Uniconn

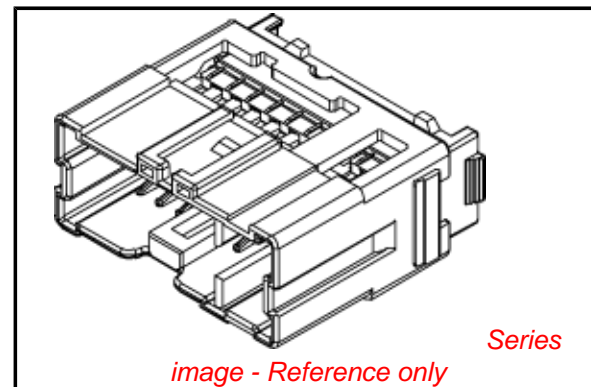
Physical

Circuits (maximum)	16
Color - Resin	Black, Brown
Gender	Male
Glow-Wire Compliant	No
Material - Resin	Polyester
Number of Rows	2
Packaging Type	Bag
Panel Mount	No
Pitch - Mating Interface (in)	0.150 In
Pitch - Mating Interface (mm)	3.80 mm
Temperature Range - Operating	-40°C to +80°C

Material Info

Reference - Drawing Numbers

Product Specification	PS-35282-001
Sales Drawing	SD-35282-161*



EU RoHS

**ELV and RoHS
Compliant**
REACH SVHC
 Not Reviewed
**Halogen-Free
Status**

China RoHS



**Need more information on product
environmental compliance?**

Email productcompliance@molex.com
 For a multiple part number RoHS Certificate of Compliance, [click here](#)

Please visit the [Contact Us](#) section for any non-product compliance questions.

Search Parts in this Series

[35282Series](#)

Mates With

[35284](#)

Use With

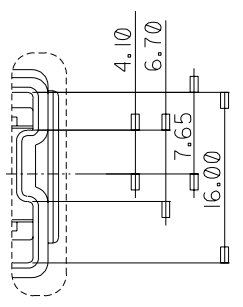
[35420](#) , [35421](#)

PLEASE CHECK WWW.MOLEX.COM FOR LATEST PART INFORMATION

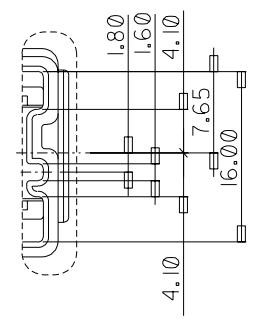
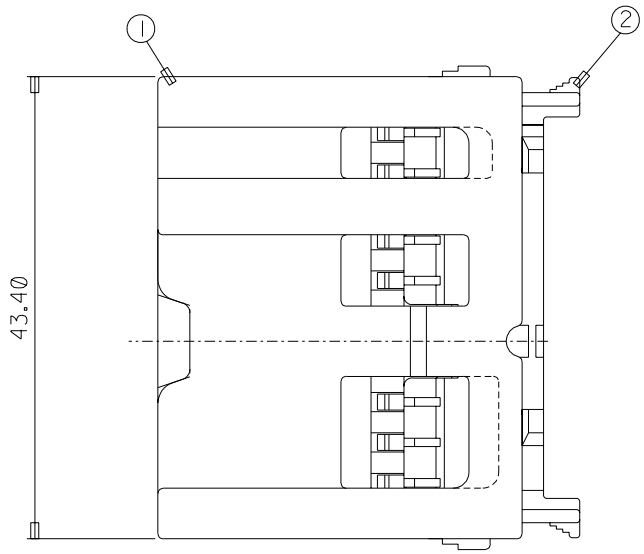
DO NOT SCALE DRAWING DIMENSION IN METRIC

PROJECT NO. SD-35282-1610
SIMILAR ITEM

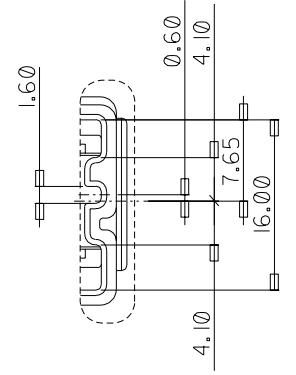
A
B
C
D
E
F
G
H



35282-1610 (NATURAL)

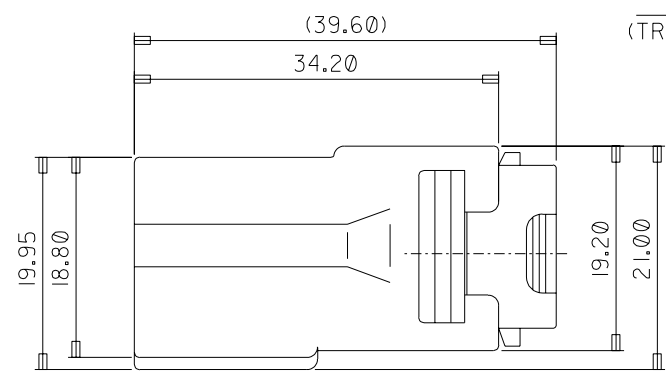
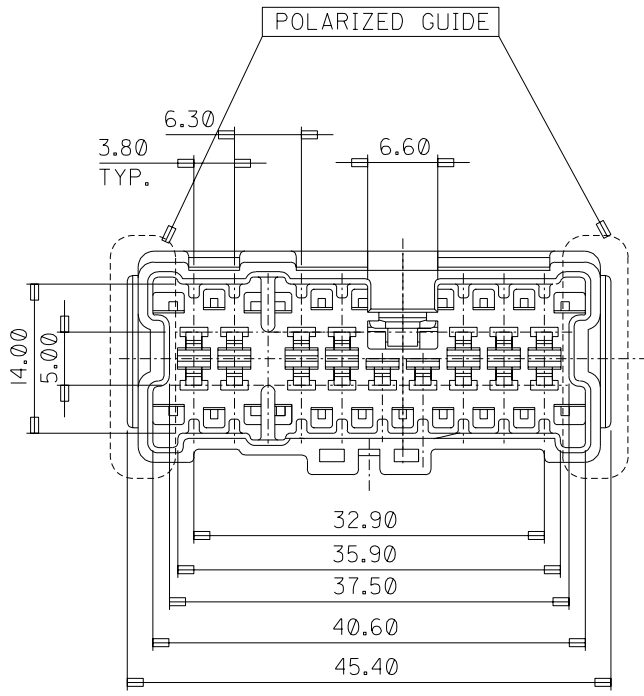


35282-1615 (GRAY)



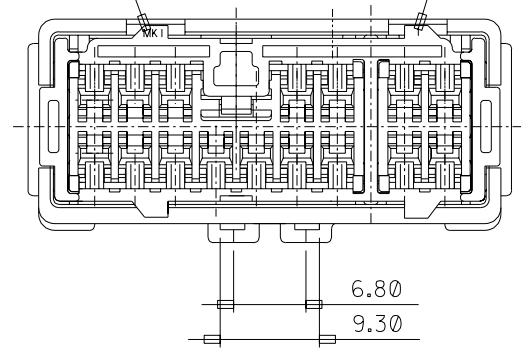
35282-1617 (BROWN)

POLARIZED GUIDE DIM'S



MKI
(TRADE MARK)

CAV.NO.



	PART NO.	PART NAME	MATERIAL
①	35282-169*	UNICONN MALE HOUSING-16P	PBT
②	35283-1681	UNICONN MALE TPA-16P	PBT, BLACK

REVISED	EC NO. KOR2003-0057 DRAWN: S.M.KIM 03/09/30 CHK: B.C.YOON 03/09/30 APPROV: M.LEE
REV	

QUALITY SYMBOLS	MAJOR	CRITICAL
-----------------	-------	----------

GENERAL TOLERANCES: (UNLESS SPECIFIED)	
4 PLACES	±0.10 mm ±.004 INCH
3 PLACES	±0.15 mm ±.006 INCH
2 PLACES	±0.20 mm ±.008 INCH
1 PLACE	±0.30 mm ±.012 INCH
ANGULAR: ±1.0°	

SCALE: 1:1	DESIGN UNITS: mm (checked), INCH
DRAWN BY & DATE: W.Y. YANG, 97/11/17	
CHECKED BY & DATE: B.K. CHOI, 97/11/17	
APPROVED BY & DATE: C.W. LEE, 97/11/17	
CAD FILENAME: SD2821610.DGN	

DIMENSIONS: mm (checked), INCH		SHT: 1/1	REV: CAD ONLY
TITLE: UNICONN MALE ASS'Y-16P		MOLEX INCORPORATED	
MATERIAL NO. SEE TABLE	DRAWING NO. SD 35282-1610	SHEET NO. 1/1	
DRAFT WHERE APPLICABLE MUST REMAIN WITHIN DIMENSIONS		THIS DRAWING CONTAINS INFORMATION THAT IS PROPRIETARY TO MOLEX INCORPORATED AND SHOULD NOT BE USED WITHOUT WRITTEN PERMISSION.	
		SIZE C	