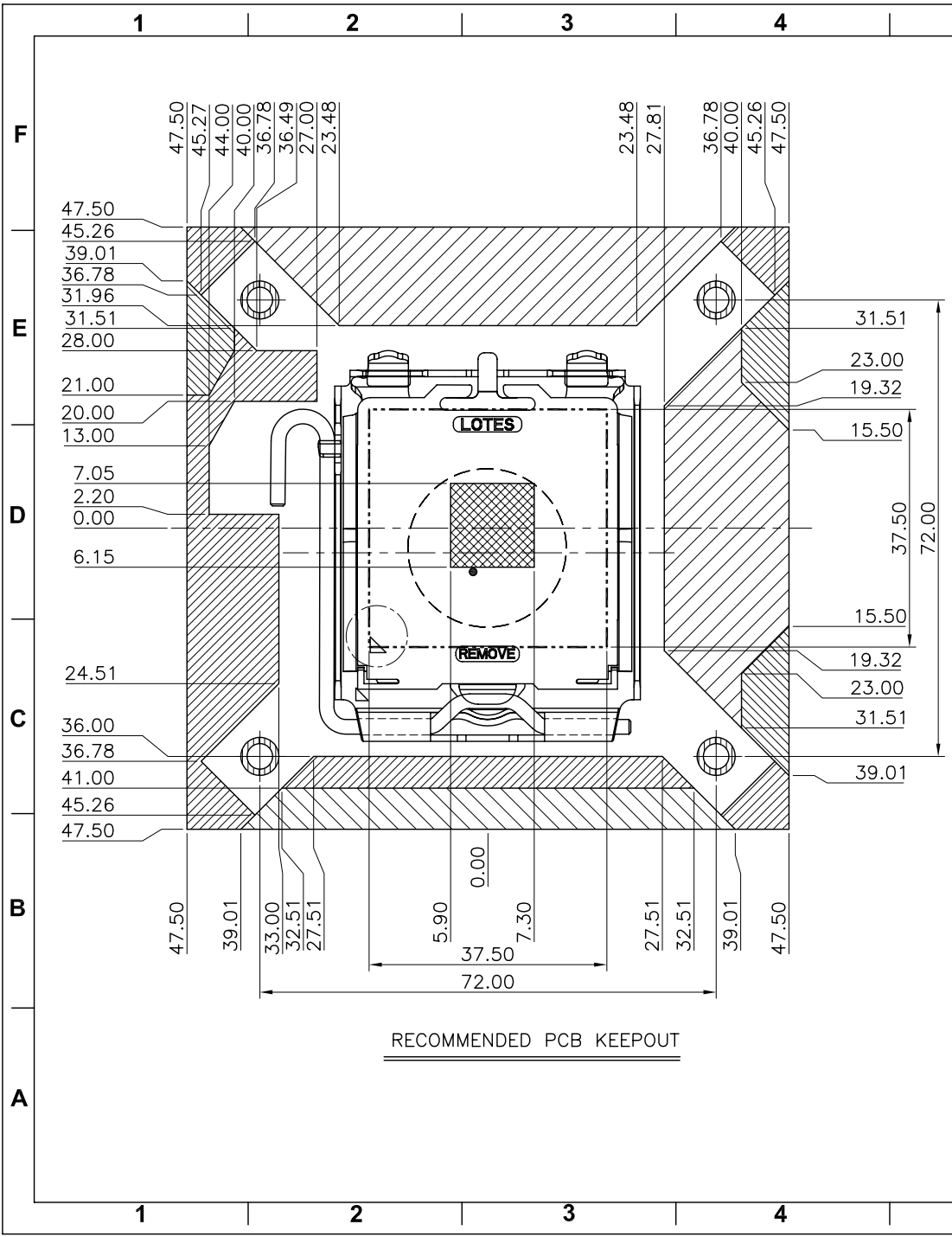


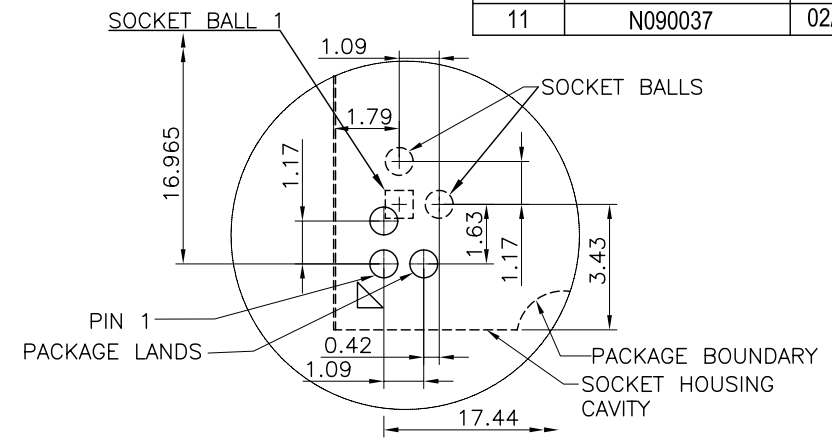
REV.	ECN NO. / DESCRIPTION	DATE
4	N070011	01/17'07
5	N070060	03/01'07
6	N070165	05/10'07
7	N070482	12/02'07
8	N080210	05/13'08
9	N080352	09/08'08
10	N080575	10/20'08
11	N090037	02/12'09

- MATERIAL:
1. Base Housing : Thermoplastic, Flammability UL 94V-0.
 2. Cover : Thermoplastic, Flammability UL 94V-0.
 3. Contact : Copper Alloy
Finish: Gold Plating over 50u"min Ni under plating on contact area.
 4. Solder ball: LF Solder ball
 5. Handle: steel
 6. Stiffener: steel
 7. Load plate: steel
 8. ACA-ZIF-056-K*: ROHS Compliant
ACA-ZIF-056-P*: HF Compliant

GENERAL TOLERANCES UNLESS SPECIFIED		PART NO. SEE TABLE	LOTES		
.X ± 0.35	X.° ± 3°				
.XX ± 0.25	X.° ± 2°		CHECKED BY Barry		DWG NO. GAP-ACA-ZIF-056
.XXX ± 0.15	.XX° ± 1°	CUSTOMER DRAWING		DRAWN BY Xiongbaihui	SHEET 1 / 8
SIZE A4	UNITS MM [INCH]				SCALE 1 : 2
					REV 11



REV.	ECN NO. / DESCRIPTION	DATE
4	N070011	01/17'07
5	N070060	03/01'07
6	N070165	05/10'07
7	N070482	12/02'07
8	N080210	05/13'08
9	N080352	09/08'08
10	N080575	10/20'08
11	N090037	02/12'09



PIN 1 DEFINITIONS

LEGEND	
	SOCKET/THERMO/MECHANICAL COMPONENT KEEP-INS
	10.0mm MAX. COMPONENT HEIGHT
	2.5mm MAX. COMPONENT HEIGHT
	6.0mm MAX. COMPONENT HEIGHT
	25.0mm MAX. COMPONENT HEIGHT
	1.8mm MAX. COMPONENT HEIGHT
	BOARD ROUTING KEEP-OUT

GENERAL TOLERANCES UNLESS SPECIFIED		PART NO.	LOTES		
SEE TABLE		SEE TABLE			
.X ± 0.35	X.° ± 3°	APPROVED BY	TITLE Land Grid Array(LGA)775 Position socket		
.XX ± 0.25	X.° ± 2°	Danfou	DWG NO. GAP-ACA-ZIF-056		
.XXX ± 0.15	.XX° ± 1°	Barry	DRAWN BY Xiongbaihui		
CUSTOMER DRAWING		DRAWN BY			SHEET 2 / 8
SIZE A4	UNITS MM [INCH]	DRAWN BY Xiongbaihui			SCALE 1 : 1
					REV 11

F

E

D

C

B

A

1

2

3

4

5

6

7

8

1

2

3

4

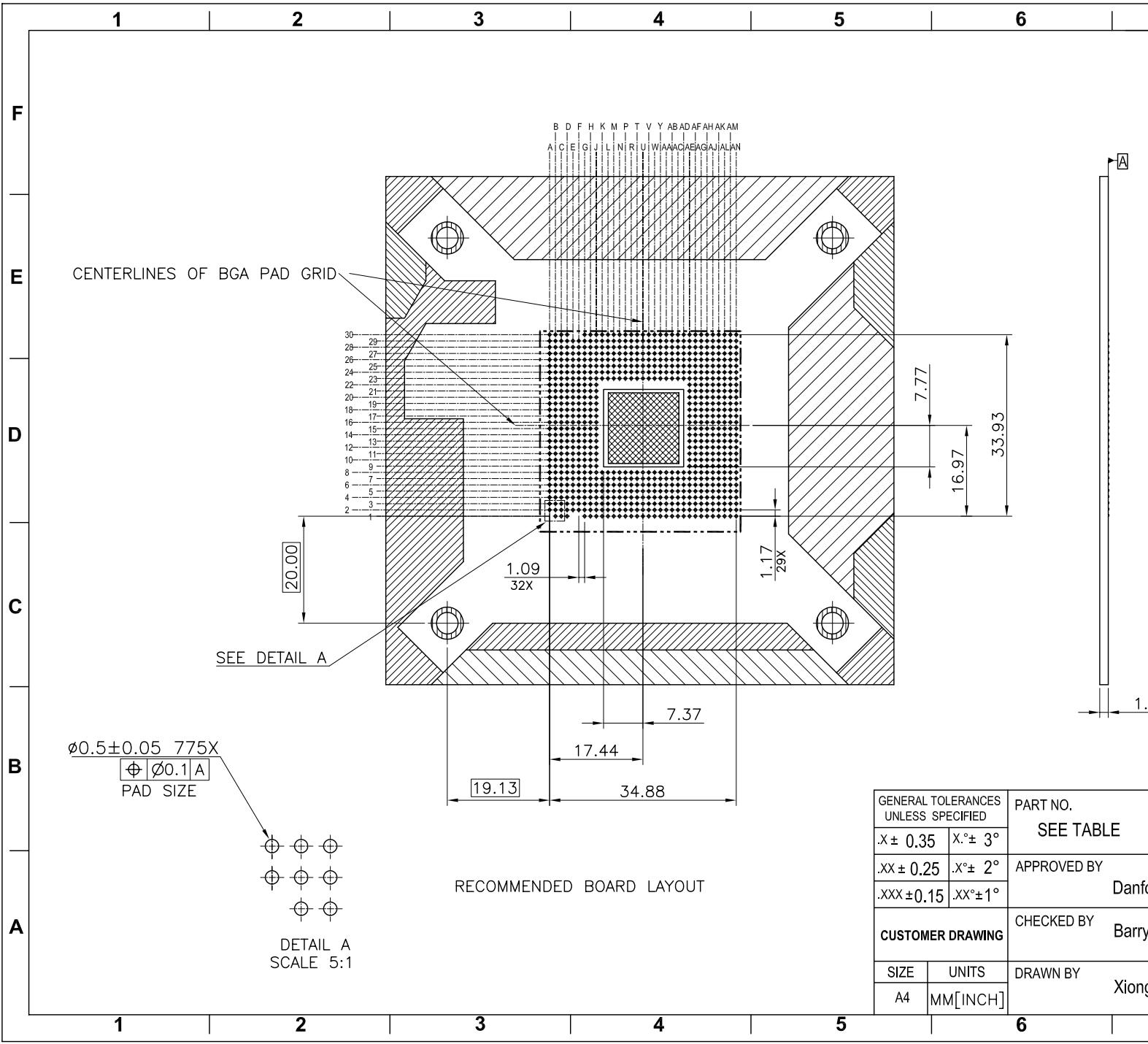
5

6

7

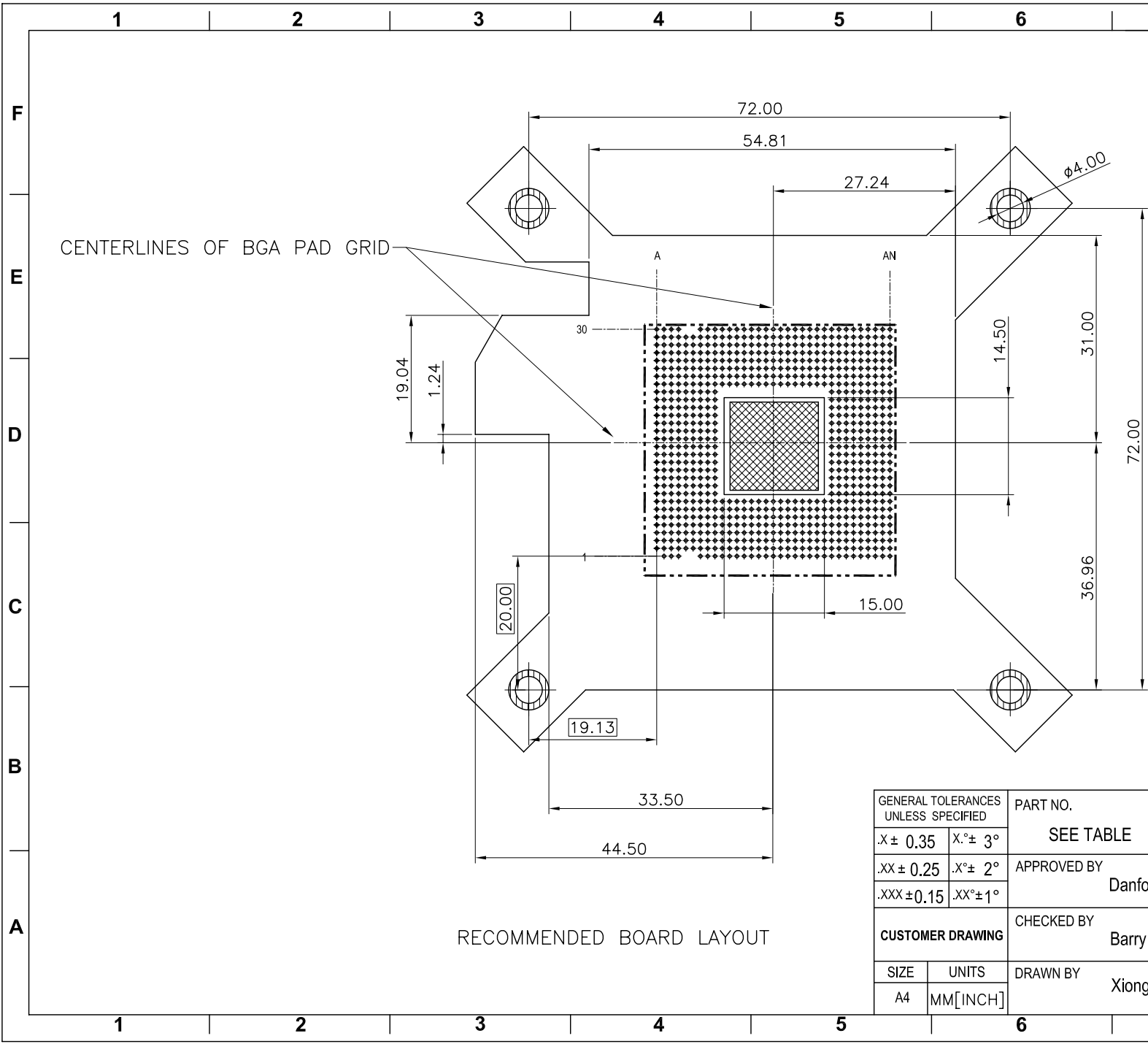
8

REV.	ECN NO. / DESCRIPTION	DATE
4	N070011	01/17'07
5	N070060	03/01'07
6	N070165	05/10'07
7	N070482	12/02'07
8	N080210	05/13'08
9	N080352	09/08'08
10	N080575	10/20'08
11	N090037	02/12'09



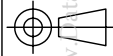
GENERAL TOLERANCES UNLESS SPECIFIED		PART NO.	LOTES		
.X ± 0.35	X.° ± 3°	SEE TABLE			
.XX ± 0.25	.X° ± 2°	APPROVED BY Danfou	DWG NO. GAP-ACA-ZIF-056		
.XXX ± 0.15	.XX° ± 1°	CHECKED BY Barry	DRAWN BY Xiongbaihui		
CUSTOMER DRAWING		DRAWN BY Xiongbaihui		SHEET 3 / 8	
SIZE A4	UNITS MM [INCH]	DRAWN BY Xiongbaihui		SCALE 1 : 1	REV 11

REV.	ECN NO. / DESCRIPTION	DATE
4	N070011	01/17'07
5	N070060	03/01'07
6	N070165	05/10'07
7	N070482	12/02'07
8	N080210	05/13'08
9	N080352	09/08'08
10	N080575	10/20'08
11	N090037	02/12'09

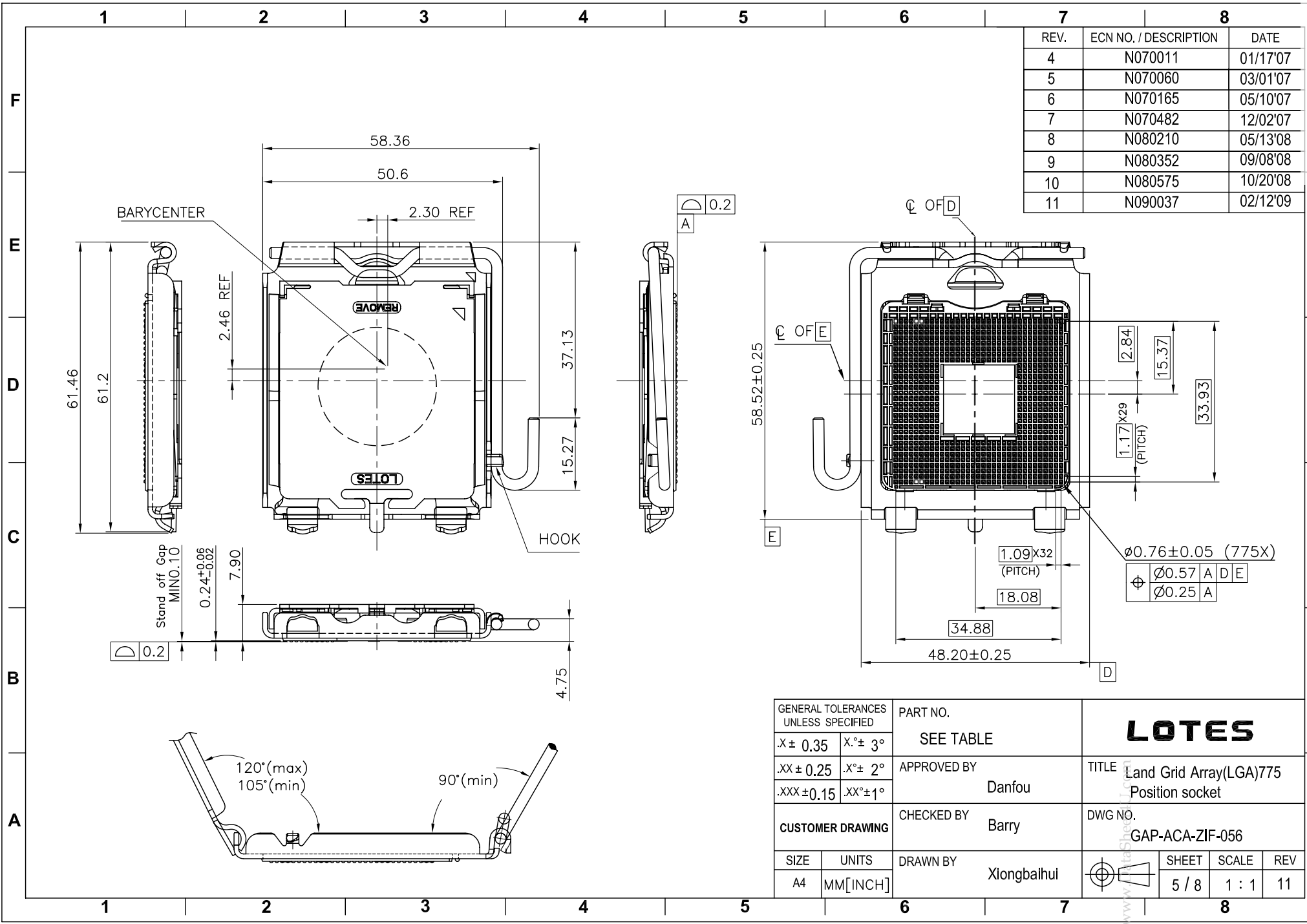


CENTERLINES OF BGA PAD GRID

RECOMMENDED BOARD LAYOUT

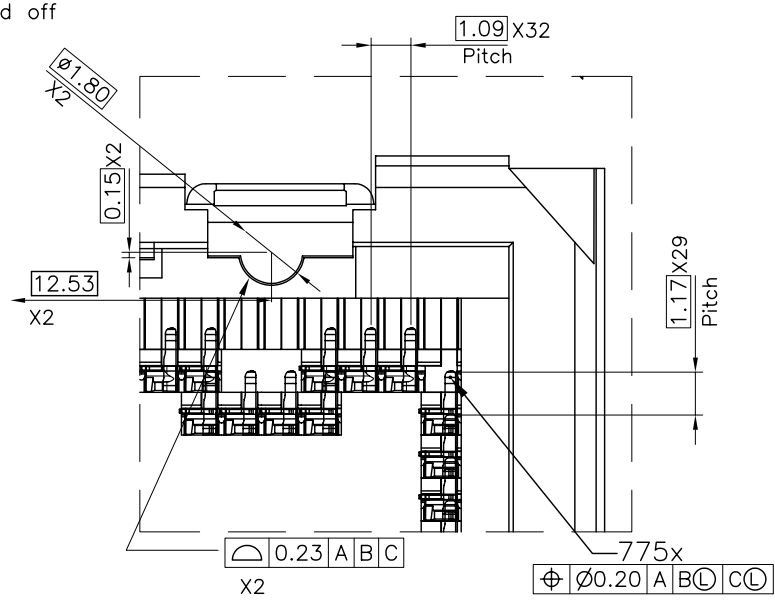
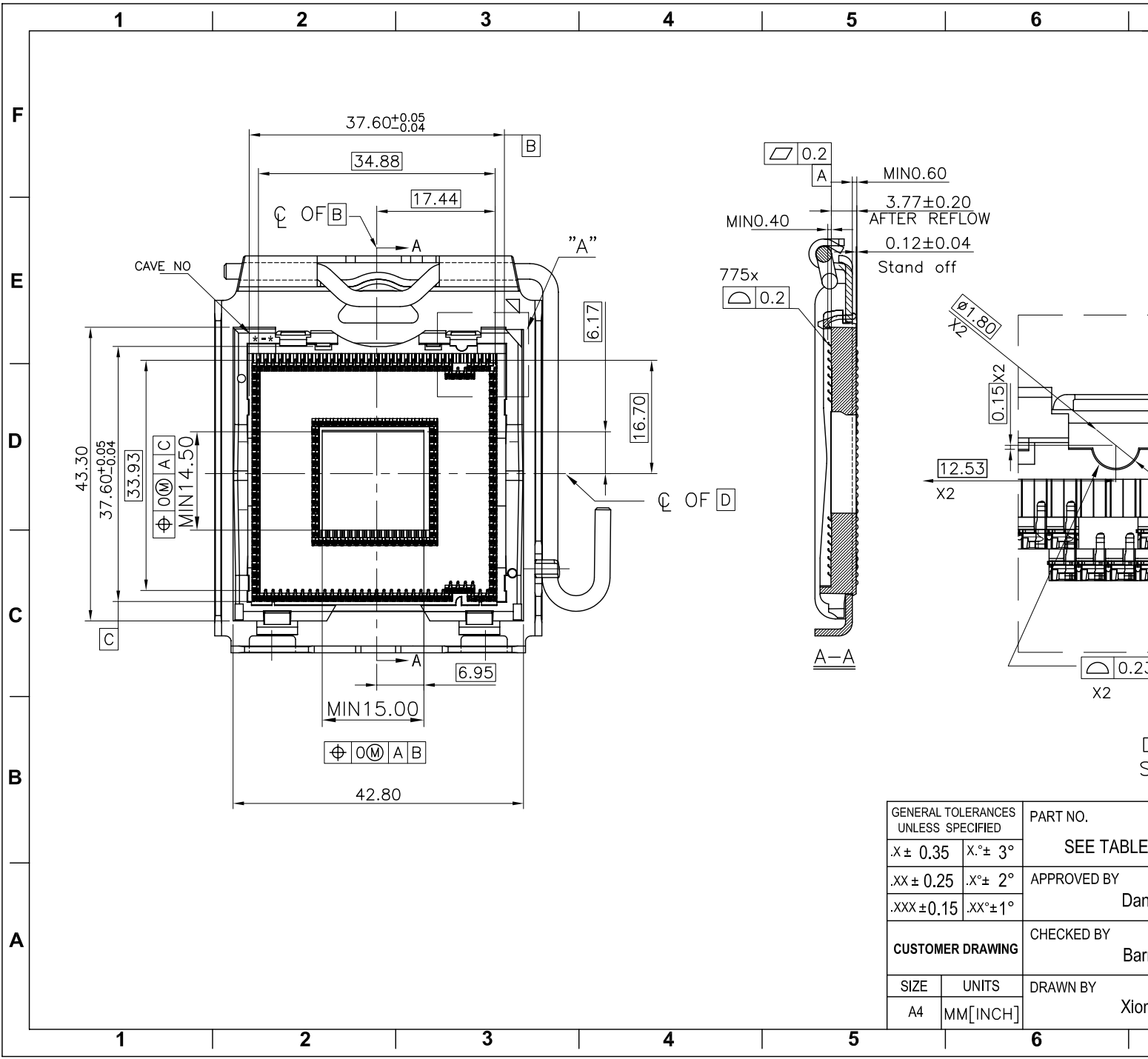
GENERAL TOLERANCES UNLESS SPECIFIED		PART NO. SEE TABLE	LOTES						
.X ± 0.35	X.° ± 3°								
.XX ± 0.25	.X.° ± 2°								
.XXX ± 0.15	.XX.° ± 1°								
APPROVED BY Danfou		CHECKED BY Barry	TITLE Land Grid Array(LGA)775 Position socket						
CUSTOMER DRAWING			DWG NO. GAP-ACA-ZIF-056						
SIZE A4	UNITS MM[INCH]	DRAWN BY Xiongbaihui	 <table border="1"> <tr> <th>SHEET</th> <th>SCALE</th> <th>REV</th> </tr> <tr> <td>4 / 8</td> <td>1 : 0.8</td> <td>11</td> </tr> </table>	SHEET	SCALE	REV	4 / 8	1 : 0.8	11
SHEET	SCALE	REV							
4 / 8	1 : 0.8	11							

REV.	ECN NO. / DESCRIPTION	DATE
4	N070011	01/17'07
5	N070060	03/01'07
6	N070165	05/10'07
7	N070482	12/02'07
8	N080210	05/13'08
9	N080352	09/08'08
10	N080575	10/20'08
11	N090037	02/12'09



GENERAL TOLERANCES UNLESS SPECIFIED		PART NO.	LOTES		
.X ± 0.35	X.° ± 3°	SEE TABLE	TITLE Land Grid Array(LGA)775 Position socket		
.XX ± 0.25	.X.° ± 2°	APPROVED BY Danfou	DWG NO. GAP-ACA-ZIF-056		
.XXX ± 0.15	.XX.° ± 1°	CHECKED BY Barry	DRAWN BY Xiongbaihui		
SIZE A4	UNITS MM[INCH]		SHEET 5 / 8	SCALE 1 : 1	REV 11

REV.	ECN NO. / DESCRIPTION	DATE
4	N070011	01/17'07
5	N070060	03/01'07
6	N070165	05/10'07
7	N070482	12/02'07
8	N080210	05/13'08
9	N080352	09/08'08
10	N080575	10/20'08
11	N090037	02/12'09

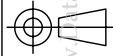


DETAIL A
SCALE 4:1

GENERAL TOLERANCES UNLESS SPECIFIED		PART NO. SEE TABLE	LOTES					
.X ± 0.35	X.° ± 3°					APPROVED BY Danfou	TITLE Land Grid Array(LGA)775 Position socket	
.XX ± 0.25	.X.° ± 2°							
.XXX ± 0.15	.XX.° ± 1°	CHECKED BY Barry	DWG NO. GAP-ACA-ZIF-056					
CUSTOMER DRAWING		DRAWN BY Xiongbaihui	SHEET 6 / 8	SCALE 1:0.8	REV 11			
SIZE A4	UNITS MM [INCH]							

REV.	ECN NO. / DESCRIPTION	DATE
4	N070011	01/17'07
5	N070060	03/01'07
6	N070165	05/10'07
7	N070482	12/02'07
8	N080210	05/13'08
9	N080352	09/08'08
10	N080575	10/20'08
11	N090037	02/12'09

MARK	PART NUMBER	HOUSING	CONTACT
1	ACA-ZIF-056-K01	LCP,BLACK	Copper Alloy 30u" GOLD PLATING LEAD FREE
2	ACA-ZIF-056-K02	LCP,BLACK	Copper Alloy 15u" GOLD PLATING LEAD FREE
3	ACA-ZIF-056-K03	LCP,BLACK	Copper Alloy 10u" GOLD PLATING LEAD FREE
4	ACA-ZIF-056-K04	LCP,BLACK	Copper Alloy GOLD FLASH LEAD FREE
5	ACA-ZIF-056-K05	LCP,BLACK	Copper Alloy 5u" GOLD PLATING LEAD FREE
1	ACA-ZIF-056-P01	LCP,BLACK	Copper Alloy 30u" GOLD PLATING HF
2	ACA-ZIF-056-P02	LCP,BLACK	Copper Alloy 15u" GOLD PLATING HF
3	ACA-ZIF-056-P03	LCP,BLACK	Copper Alloy 10u" GOLD PLATING HF
4	ACA-ZIF-056-P04	LCP,BLACK	Copper Alloy GOLD FLASH HF
5	ACA-ZIF-056-P05	LCP,BLACK	Copper Alloy 5u" GOLD PLATING HF

GENERAL TOLERANCES UNLESS SPECIFIED		PART NO.	LOTES			
.X ± 0.35	X.° ± 3°	SEE TABLE				
.XX ± 0.25	.X.° ± 2°	APPROVED BY	TITLE Land Grid Array(LGA)775 Position socket			
.XXX ± 0.15	.XX.° ± 1°	Danfou	DWG NO. GAP-ACA-ZIF-056			
CUSTOMER DRAWING		CHECKED BY	DRAWN BY			
SIZE	UNITS	Barry	Xiongbaihui			
A4	MM[INCH]			SHEET	SCALE	REV
				7 / 8	1 : 1	11

F
E
D
C
B
A

E
D
C
B
A

1 2 3 4 5 6 7 8

1 2 3 4 5 6 7 8

REV.	ECN NO. / DESCRIPTION	DATE
4	N070011	01/17'07
5	N070060	03/01'07
6	N070165	05/10'07
7	N070482	12/02'07
8	N080210	05/13'08
9	N080352	09/08'08
10	N080575	10/20'08
11	N090037	02/12'09

MARK	PART NUMBER	HOUSING	CONTACT
1	ACA-ZIF-056-K06	LCP,BLACK	Copper Alloy GOLD FLASH LEAD FREE
2	ACA-ZIF-056-K07	LCP,BLACK	Copper Alloy 5u" GOLD PLATING LEAD FREE
3	ACA-ZIF-056-K08	LCP,BLACK	Copper Alloy 10u" GOLD PLATING LEAD FREE
4	ACA-ZIF-056-K09	LCP,BLACK	Copper Alloy 15u" GOLD PLATING LEAD FREE
1	ACA-ZIF-056-P06	LCP,BLACK	Copper Alloy GOLD FLASH HF
2	ACA-ZIF-056-P07	LCP,BLACK	Copper Alloy 5u" GOLD PLATING HF
3	ACA-ZIF-056-P08	LCP,BLACK	Copper Alloy 10u" GOLD PLATING HF
4	ACA-ZIF-056-P09	LCP,BLACK	Copper Alloy 15u" GOLD PLATING HF

GENERAL TOLERANCES UNLESS SPECIFIED		PART NO.	LOTES			
.X ± 0.35	X.° ± 3°	SEE TABLE				
.XX ± 0.25	.X.° ± 2°	APPROVED BY	TITLE Land Grid Array(LGA)775 Position socket			
.XXX ± 0.15	.XX.° ± 1°	Danfou				
CUSTOMER DRAWING		CHECKED BY	DWG NO. GAP-ACA-ZIF-056			
		Barry				
SIZE	UNITS	DRAWN BY		SHEET	SCALE	REV
A4	MM[INCH]	Xiongbaihui		8 / 8	1 : 1	11

