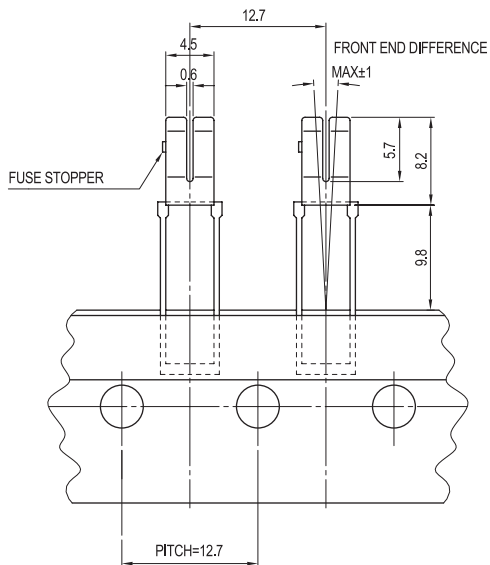
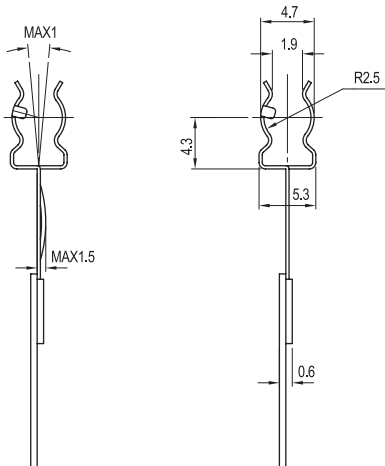
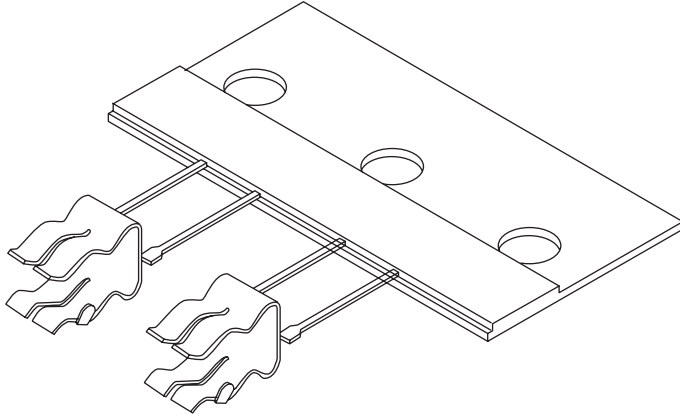


# OTHER

Fuse Crip for Auto-insertion  
Fuse Clip

AFC520



## Material

I/NO	DESCRIPTION	TITLE	MATERIAL
1	TERMINAL	AFC520	Phosphor Bronze & Tin-Plated

## Specification

ITEM	SPEC
Voltage Rating	AC/DC 250V
Current Rating	AC/DC 5A
Operating Temperature	-25℃~+85℃
Contact Resistance	30mΩ MAX
Withstanding Voltage	-
Insulation Resistance	-
Applicable Wire	-
Applicable P.C.B	-
Applicable FPC/FFC	-
Solder Height	-
Crimp Tensile Strength	-
UL FILE NO	-