

### Series GC

Force guided relay rated for 10A, 230/240 Vac, 300 Vdc

Available in 4, 6, 8 or 10 pole configuration. See Table 1 for part numbers.

### ELECTRICAL SPECIFICATIONS

#### GENERAL SPECIFICATIONS

Parameter	Min	Typ	Max	Units
Operate Time (See Note 1)		30		msec
Release Time (See Note 1)		7		msec
Switching Frequency			5	Hz
Shock (11 msec, See Note 3)			10	g
Vibration (10-100 Hz, See Note 3)			10	g
Electrical Life	10 <sup>5</sup>			Cycles
Mechanical Life	10 <sup>7</sup>			Cycles
Ambient Temperature	-25		80	°C

#### CONTACT SPECIFICATIONS

Maximum Load Current				
2 Contacts			10	A
3 Contacts			8.4	A
4 Contacts			7.3	A
5 Contacts			6.5	A
6 Contacts			5.9	A
7 Contacts			5.5	A
8 Contacts			5.1	A
Maximum Switching Voltage			230/240	Vac
			300	Vdc
Maximum Load Capacity (Resistive)			2000/120	VA/W



### FEATURES:

- Force Guided Contacts per EN50205: Consists of at least one NO and one NC contact mechanically linked. This allows the contact's behavior to be pre-determined and the user the ability to monitor the contact. The mechanism provides true status.
- Dielectric designed for 3-phase systems.
- Contacts are physically linked making it impossible for a NO and NC to be closed simultaneously.
- Internal creepage distances and clearances are designed for Overvoltage Category III and Degree of Pollution 2 per IEC 60664.
- Wide range of Contact configurations and Coil Voltages.

### APPROVALS:

UL: Approved  
TUV / CSA: Pending

### ACCESSORIES: Contact Factory

Current regulator unit DIL housing  
Current regulator unit SO.8 housing  
Retaining clip

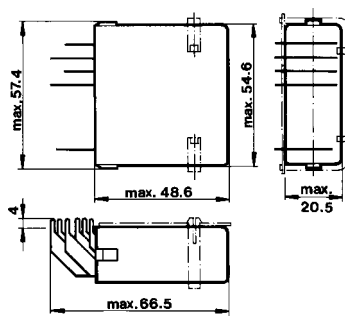
Maximum Switching Capacity	AC15-230/240V	4	Arms
(Inductive)	DC13-24V	2	Adc
Contact Resistance (See Note 2)		100	mOhm
Dielectric Test Voltage (O=III, P=2)			
Coil to Contact		2500	Vac
Contact to Contact		2500	Vac

### Characteristics Table

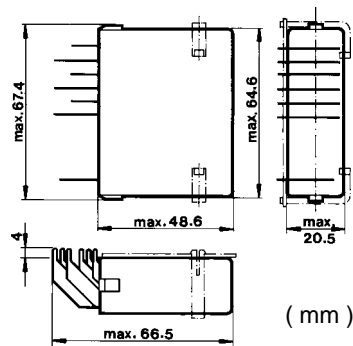
Part No.	Contacts	Contact Material (/Gold Plating)	Coil Resistance (Ohm)±12%	Coil Voltage (Nominal @ 25°C)
GC35-1097	3NO/5NC	AgCdO/5.0um	320	24
GC31-1100	3NO/1NC	AgCdO/0.2um	480	24
GC22-1121	2NO/2NC	AgCdO/5.0um	480	24
GC22-1123	2NO/2NC	AgCdO/5.0um	2,700	60
GC42-1128	4NO/2NC	AgCdO/0.2um	480	24
GC42-1135	4NO/2NC	AgCdO/5.0um	480	24
GC33-1149	3NO/3NC	AgCdO/5.0um	480	24
GC33-1151	3NO/3NC	AgCdO/5.0um	2,700	60
GC44-1161	4NO/4NC	AgCdO/5.0um	320	24
GC44-1163	4NO/4NC	AgCdO/5.0um	1,870	60
GC62-1168	6NO/2NC	AgCdO/0.2um	320	24
GC62-1175	6NO/2NC	AgCdO/5.0um	320	24
GC53-1183	5NO/3NC	AgCdO/0.2um	320	24
GC64-1220	6NO/4NC	AgCdO/5.0um	350	24

TABLE 1

### Outline Dimensions



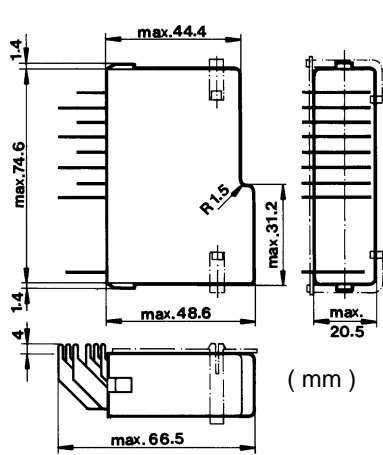
4 POLE PACKAGE



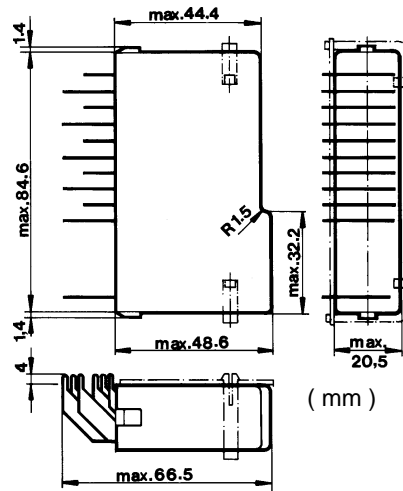
6 POLE PACKAGE

( mm )

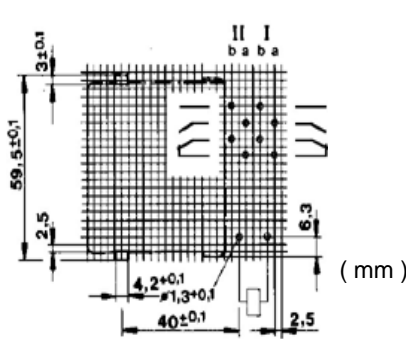
Outline Dimensions ( Cont.)



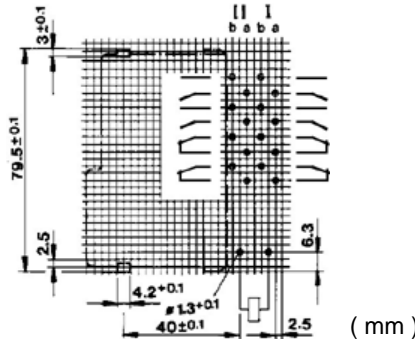
8 POLE PACKAGE



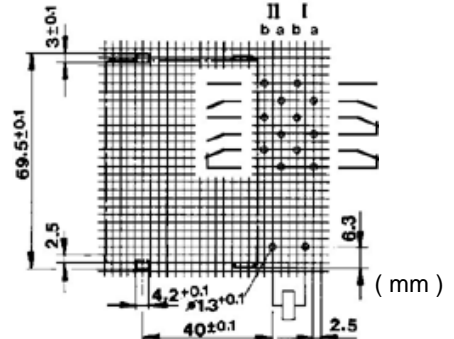
10 POLE PACKAGE



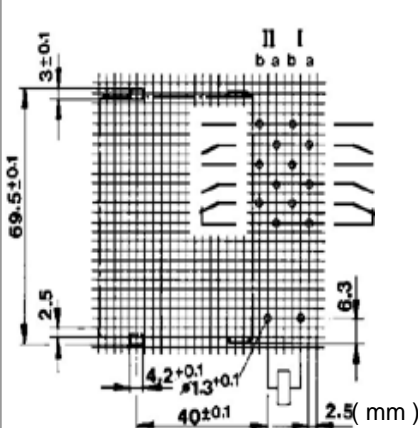
2NO/2NC PACKAGE



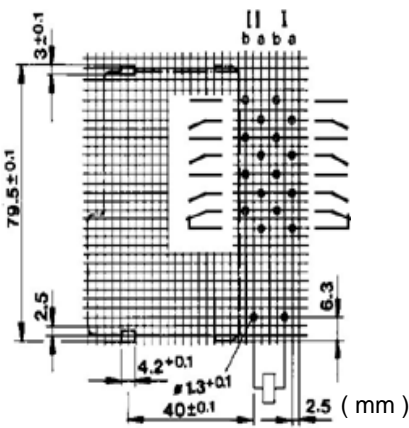
4NO/4NC PACKAGE



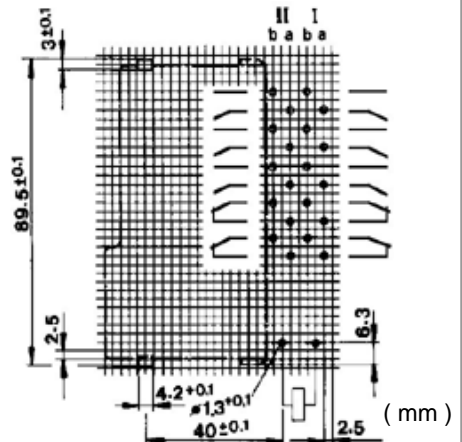
3NO/3NC PACKAGE



4NO/2NC PACKAGE



6NO/2NC PACKAGE  
(VIEW FROM TERMINALS)



6NO/4NC PACKAGE

Notes:

- 1) Timing varies with coils voltage.
- 2) For new contacts only.
- 3) Contacts will not chatter in excess of 1ms.