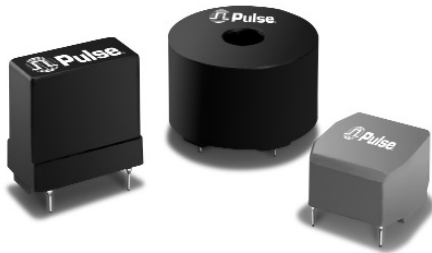





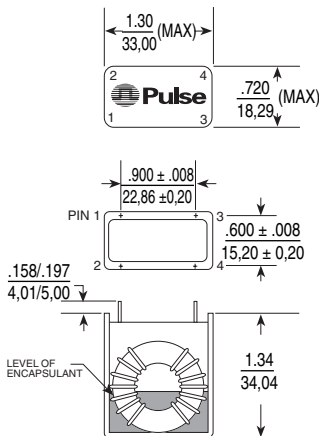
# 500 kHz COMMON MODE EMI INDUCTORS



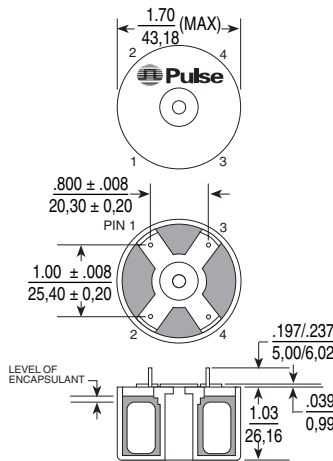
-  Common mode EMI Inductors
-  Designed for higher frequency power conversion
-  For use in SMPS input filtering circuits

## Mechanicals

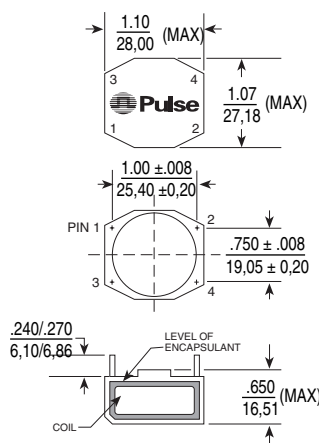
### CASE 1<sup>1</sup>



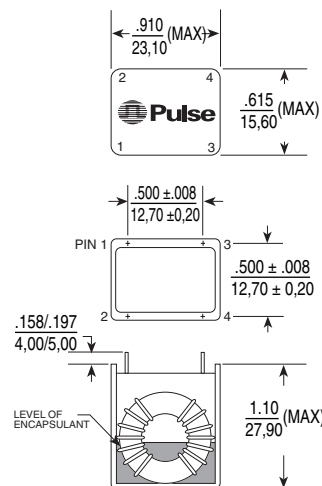
### CASE 2<sup>2</sup>



### CASE 3<sup>1</sup>



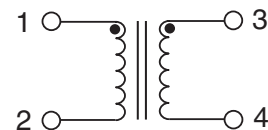
### CASE 4<sup>1</sup>



## Elect. Specs. @ 25°C— Operating Temp. -40° to +130° C

Part Number	Rated RMS Current (A.Normal)	Inductance mH (± 30%)	DCR (Ω MAX)	Case Style	Leakage Inductance (MIN/MAX μH)
PE-96161	0.5	33	1.40	3	160/320
PE-96165	1.0	18	0.50	1	120/320
PE-96166	1.0	5.6	0.30	3	30/60
PE-96168	2.0	15	0.29	1	100/220
PE-96173	3.15	5.6	0.10	1	40/80
PE-96175	3.15	3.3	0.07	3	15/35
PE-96177	3.15	2.2	0.06	3	10/20
PE-96178	3.15	1.2	0.04	3	6/15
PE-96179	3.15	1.2	0.04	4	5/14
PE-96181	5.0	3.9	0.06	1	25/60
PE-96186	6.3	2.7	0.04	1	20/45
PE-96187	8.0	3.3	0.033	2	20/45
PE-96188	10.0	1.8	0.02	2	10/25
PE-96189	12.5	1.5	0.015	2	10/20
PE-96190	15.0	1.0	0.01	2	7/15

## Schematic



- NOTES:** 1. Leads have .031/.039 diameter.  
.700/.900
2. Self-leded: **96187** has .036 nom. diameter leads.  
**96188 & 96189** have .045 nom. diameter leads.  
**96190** has .051 nom. diameter leads.

**Dimensions:**  $\frac{\text{Inches}}{\text{mm}}$  Unless otherwise specified, all tolerances are  $\pm \frac{.010}{0.25}$

## For More Information :

### UNITED STATES (Worldwide)

12220 World Trade Drive  
San Diego, CA 92128  
U.S.A.  
<http://www.pulseeng.com>  
TEL: 858 674 8100  
FAX: 858 674 8262

### UNITED KINGDOM (Northern Europe)

1 & 2 Huxley Road  
The Surrey Research Park  
Guildford, Surrey GU2 5RE  
United Kingdom  
TEL: 44 1483 401700  
FAX: 44 1483 401701

### FRANCE (Southern Europe)

Zone Industrielle  
F-39270  
Orgelet  
France  
TEL: 33 3 84 35 04 04  
FAX: 33 3 84 25 46 41

### SINGAPORE (Southern Asia)

150 Kampong Ampat  
#07-01/02  
KA Centre  
Singapore 368324  
TEL: 65 6287 8998  
FAX: 65 6280 0080

### TAIWAN, R.O.C. (Northern Asia)

3F-4, No. 81, Sec. 1  
HsinTai Wu Road  
Hsi-Chih, Taipei Hsien  
Taiwan, R.O.C.  
Tel: 886 2 2698 0228  
FAX: 886 2 2698 0948

### HONG KONG (China/Hong Kong)

9/F, Phase 2, Tai Sang  
Shatin Warehouse Centre  
6 Wong Chuk Yeung Street  
Fotan, Shatin, Hong Kong  
TEL: 852 2788 6588  
FAX: 852 2776 1055

### DISTRIBUTOR

Performance warranty of products offered on this data sheet is limited to the parameters specified. Data is subject to change without notice. Other brand and product names mentioned herein may be trademarks or registered trademarks of their respective owners.