

## GaAlAs Laser Diode

**Description**

The SLD104AV is a low noise GaAlAs laser diode developed for CD.

**Features**

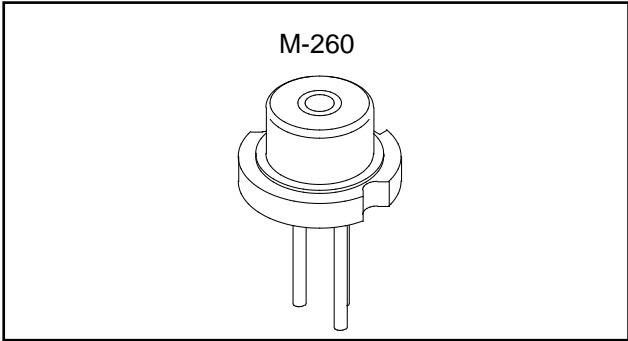
- High temperature operation
- Low noise
- Small package ( $\phi$  5.6 mm)

**Applications**

- Pickup for CD players

**Structure**

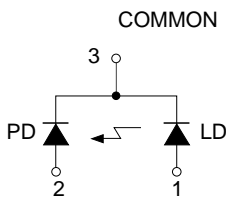
- GaAlAs double hetero structured laser diode
- Pin photodiode for optical power output monitor



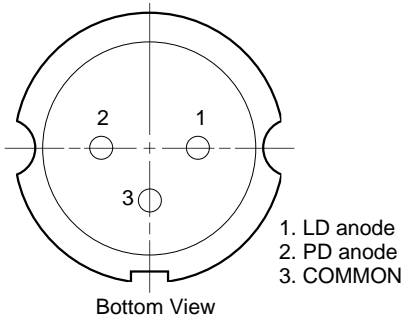
**Absolute Maximum Ratings (Ta=25 °C)**

• Optical power output	Po	5	mW
• Reverse voltage	VR	LD	2 V
		PD	15 V
• Operating temperature	Topr	-10 to +60	°C
• Storage temperature	Tstg	-40 to +85	°C

**Connection Diagram**



**Pin Configuration**



- 1. LD anode
- 2. PD anode
- 3. COMMON

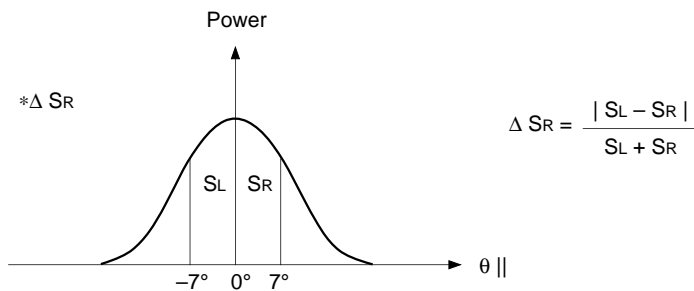
Sony reserves the right to change products and specifications without prior notice. This information does not convey any license by any implication or otherwise under any patents or other right. Application circuits shown, if any, are typical examples illustrating the operation of the devices. Sony cannot assume responsibility for any problems arising out of the use of these circuits.

**Optical and Electrical Characteristics**

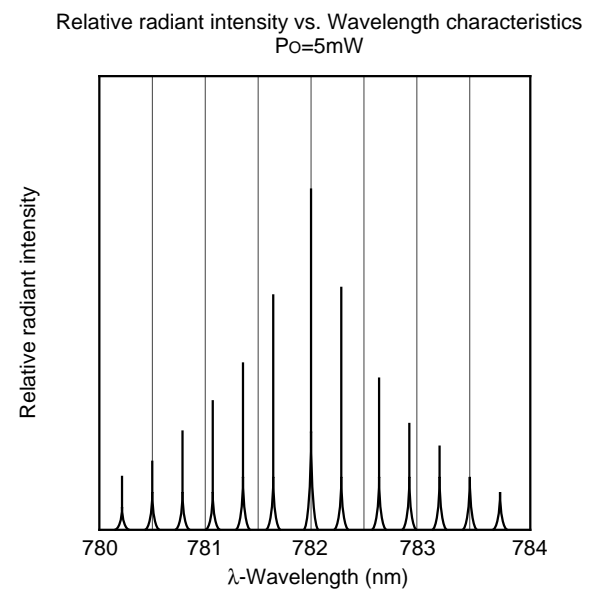
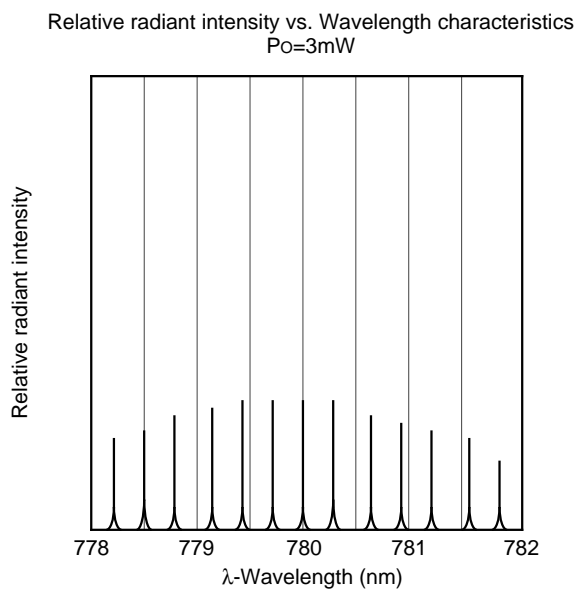
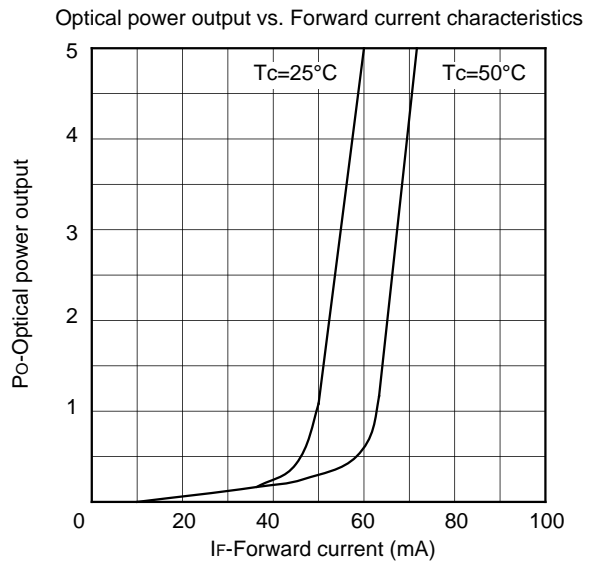
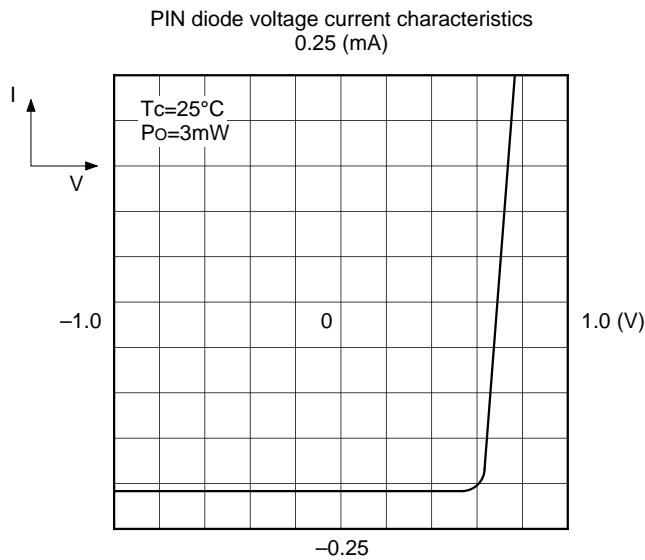
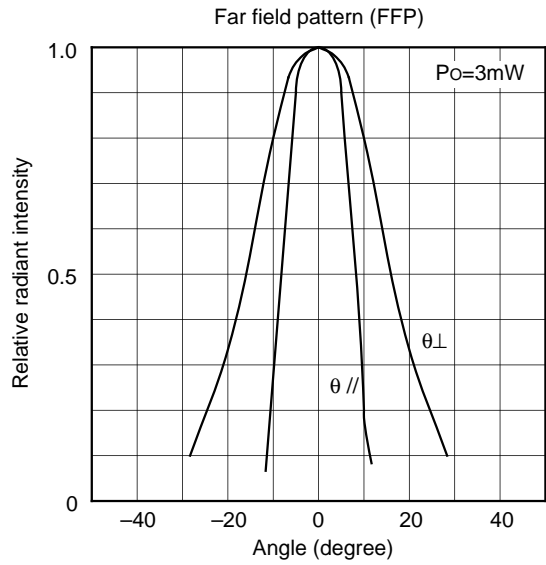
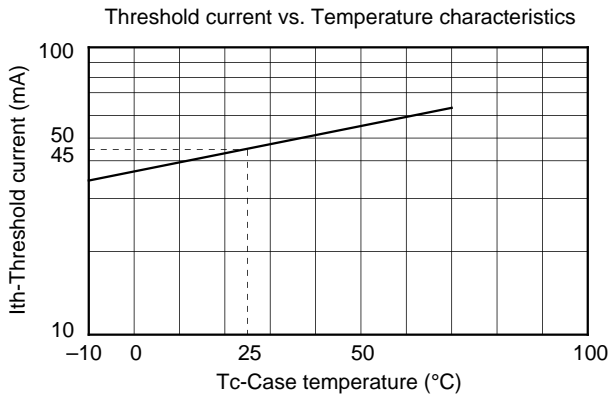
(T<sub>c</sub>=25 °C)

T<sub>c</sub> : Case temperature

Item	Symbol	Conditions (T <sub>c</sub> =25 °C)	Min.	Typ.	Max.	Unit
Threshold current	I <sub>th</sub>			45	60	mA
Operating current	I <sub>op</sub>	P <sub>o</sub> =3 mW		52	65	mA
Operating voltage	V <sub>op</sub>	P <sub>o</sub> =3 mW	1.7	1.9	2.5	V
Oscillation wavelength	λ	P <sub>o</sub> =3 mW	760	780	800	nm
Monitor current	I <sub>m</sub>	P <sub>o</sub> =3 mW V <sub>r</sub> (P <sub>in</sub> )=5 V	0.08	0.15	0.4	mA
Parallel radiation angle	θ <sub>//</sub>	P <sub>o</sub> =3 mW	9	18	25	deg
Perpendicular radiation angle	θ <sub>⊥</sub>		20	35	45	deg
Parallel radiation angle symmetry	ΔS <sub>R</sub> *1	P <sub>o</sub> =3 mW			20	%
Perpendicular radiation angle accuracy	Δ α <sub>⊥</sub>	CW, P <sub>o</sub> =3 mW			±3	deg
Positional accuracy	ΔX, ΔY, ΔZ				±150	μm
Differential efficiency	η <sub>D</sub>	P <sub>o</sub> =3 mW	0.2	0.45	0.7	mW/mA
Astigmatism	A <sub>s</sub>	P <sub>o</sub> =3 mW	-34	-27	-20	μm
S/N ratio	S/N	f <sub>c</sub> =720 kHz Δf=30 kHz P <sub>o</sub> =4 mW		88		dB
PD dark current	I <sub>D</sub>	V <sub>r</sub> (P <sub>in</sub> )=5 V			150	nA
PD capacitance between pins	C <sub>r</sub>	V <sub>r</sub> (P <sub>in</sub> )=5 V, f=1 MHz			30	pF

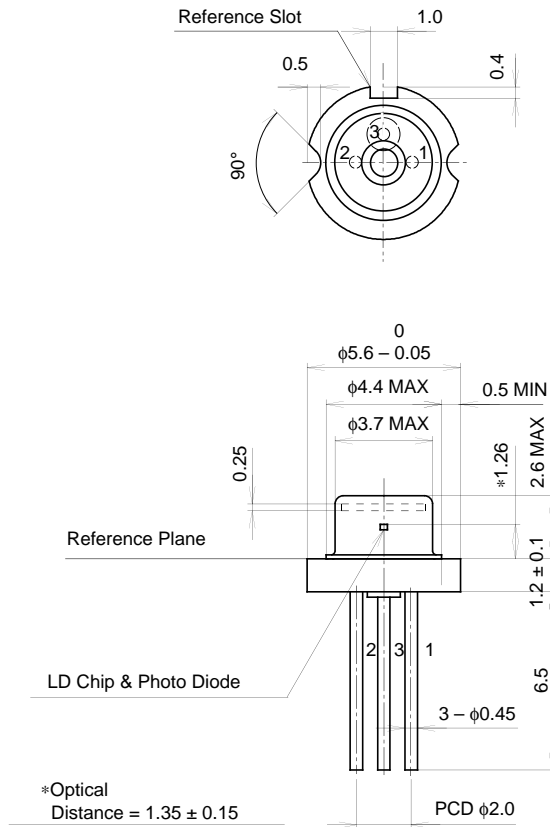


Example of Representative Characteristics



Package Outline Unit : mm

M-260



SONY CODE	M-260
EIAJ CODE	_____
JEDEC CODE	_____

PACKAGE WEIGHT	0.3g
----------------	------