

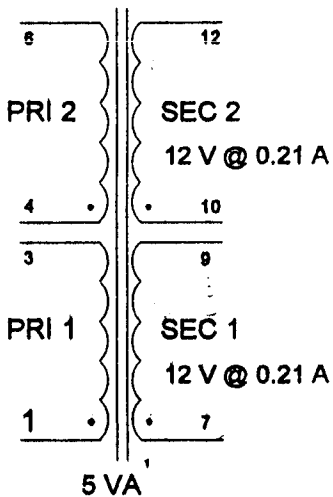
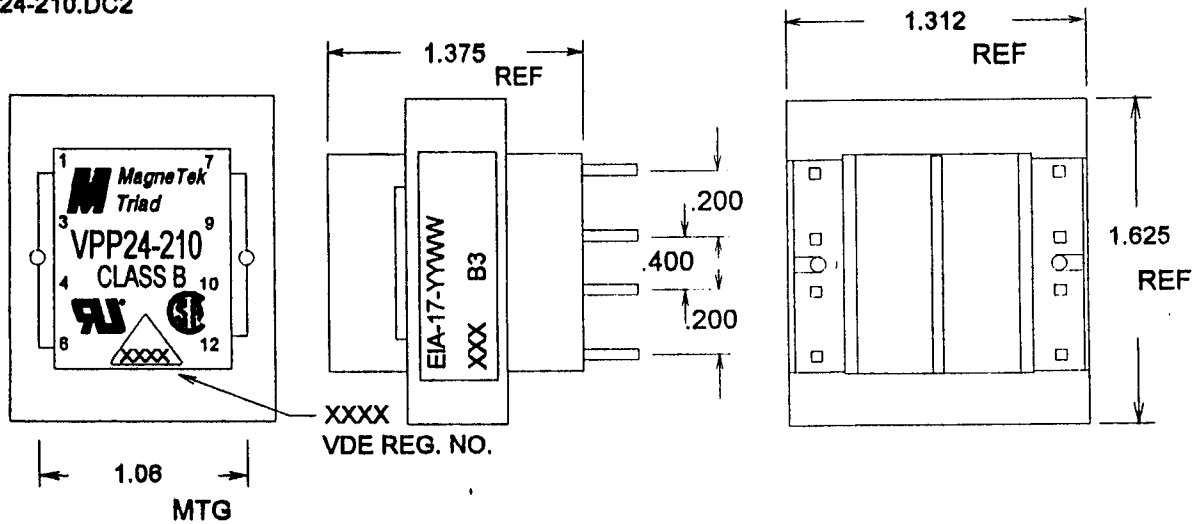
TOLERANCE UNLESS SPECIFIED =

.XXX = +/- .005

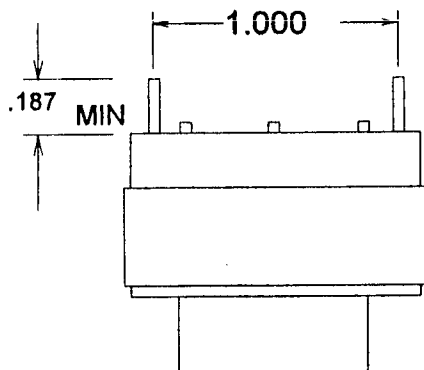
.XX = +/- .015

FRACTIONS = +/- .032

24-210.DC2



PC PINS .025 SQ



PRODUCTION TESTS

TURN'S RATIO = 100%

| | | |
|-----------------------|---------|----------|
| DC RESISTANCE IN OHMS | 1-3 = | 340 NOM |
| | 4-6 = | 408 NOM |
| | 7-9 = | 7.1 NOM |
| | 10-12 = | 8.45 NOM |

MAX EXCITATION CURRENT = .016 A

APPLY 230V 60HZ 1-6 (3+4)

PRI WDGS 114.5 TO 115.5 V

SEC WDGS 15.2 TO 16.1 V

HIPOT: 4000V P-S

4000V P,S, TO CORE

600V P-P, S-S

MagneTek

VPP24-210

MARKING SEE LABEL DETAIL ABOVE