

**PLEASE CHECK WWW.MOLEX.COM FOR LATEST PART INFORMATION**

**Part Number:** [0875271612](#)  
**Status:** **Active**  
**Description:** 2.50mm(.098") Connector Pitch, 3.00mm(.118") Power Pitch, 3-in-1 Combo Connector with Single Fuse Socket, Right Angle, 16 Circuits, Tin (Sn) Overall, Lead-free

**Documents:**

[3D Model](#) [Product Specification PS-87527-001 \(PDF\)](#)  
[Drawing \(PDF\)](#) [RoHS Certificate of Compliance \(PDF\)](#)

**General**

Product Family	I/O Connectors
Series	<a href="#">87527</a>
Application	Wire-to-Board
Comments	Signal, Power, and Mini-Fuse
Component Type	Plug, Receptacle
Product Name	3-in-1 Combo
Type	N/A

**Physical**

Circuits (Loaded)	16
Circuits (maximum)	16
Durability (mating cycles max)	30
Lock to Mating Part	None
Material - Plating Mating	Tin
Material - Plating Termination	Tin
Orientation	Right Angle
PC Tail Length (in)	0.114 In
PC Tail Length (mm)	2.90 mm
PCB Retention	Yes
PCB Thickness Recommended (in)	0.062 In
PCB Thickness Recommended (mm)	1.60 mm
Packaging Type	Bag
Panel Mount	No
Pitch - Mating Interface (in)	0.098 In
Pitch - Mating Interface (mm)	2.50 mm
Polarized to Mating Part	Yes
Surface Mount Compatible (SMC)	No
Temperature Range - Operating	-40°C to +105°C
Termination Interface: Style	Through Hole
Wire Size AWG	N/A

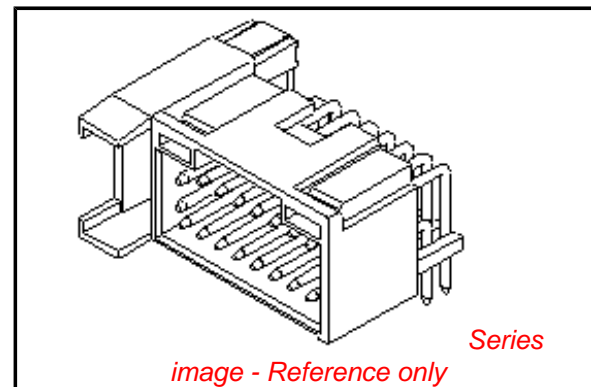
**Electrical**

Current - Maximum per Contact	4A
Shielded	Yes
Voltage - Maximum	250V

**Material Info**

**Reference - Drawing Numbers**

Product Specification	PS-87527-001
Sales Drawing	SD-87527-007



**EU RoHS**

**ELV and RoHS  
Compliant**  
**REACH SVHC**  
 Not Reviewed  
**Halogen-Free  
Status**

**China RoHS**



**Not Reviewed**

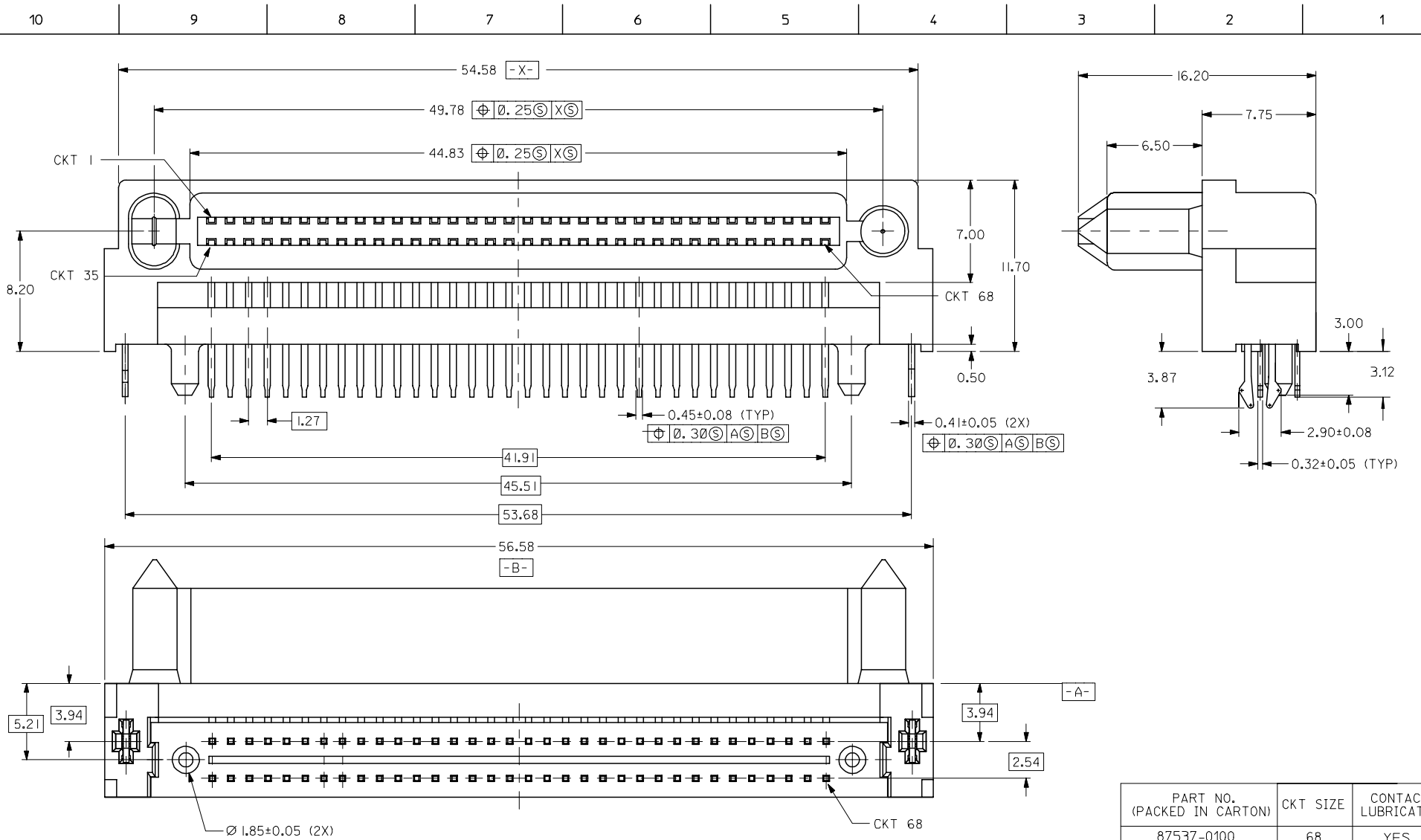
**Need more information on product  
environmental compliance?**

Email [productcompliance@molex.com](mailto:productcompliance@molex.com)  
 For a multiple part number RoHS Certificate of Compliance, [click here](#)

Please visit the [Contact Us](#) section for any non-product compliance questions.

**Search Parts in this Series**

[87527Series](#)



PART NO. (PACKED IN CARTON)	CKT SIZE	CONTACTS LUBRICATION
87537-0100	68	YES

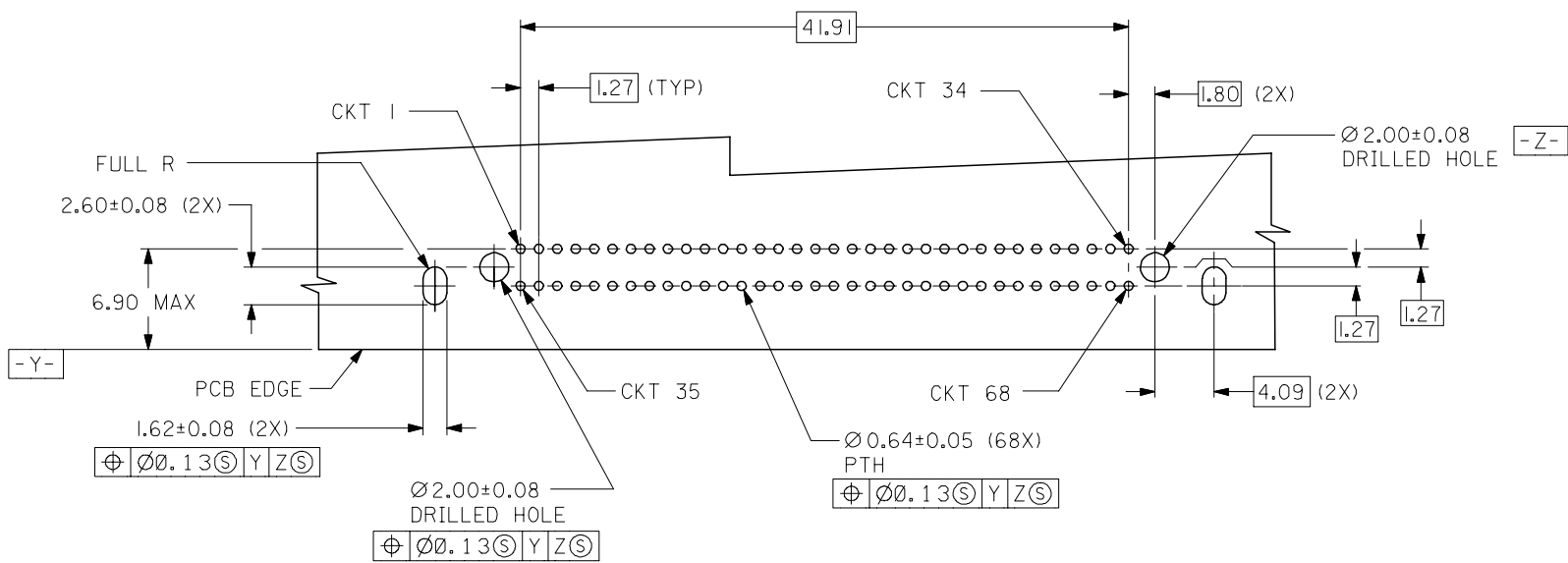
ADD LUBRICATION	2006/07/24
EC NO: S2007-0048	2006/07/24
DRWN:ATSEE	2006/07/24
CHKD:SHONG	2006/07/24
APPR:KCLING	2006/07/24
REV	DESCRIPTION
B1	

QUALITY SYMBOLS	$\nabla=0$
	$\nabla=0$

GENERAL TOLERANCES (UNLESS SPECIFIED)	mm	INCH
4 PLACES	$\pm$ ---	$\pm$ ---
3 PLACES	$\pm$ ---	$\pm$ ---
2 PLACES	$\pm 0.25$	$\pm$ ---
1 PLACE	$\pm$ ---	$\pm$ ---
ANGULAR $\pm 3^\circ$		
DRAFT WHERE APPLICABLE MUST REMAIN WITHIN DIMENSIONS		

DIMENSION STYLE MM ONLY	
DRAWN BY	DATE
BBTAN	2005/09/29
CHECKED BY	DATE
CGTAN	2005/10/31
APPROVED BY	DATE
SHONG	2005/10/31
MATERIAL NO.	
SEE TABLE	
SIZE	
A3	

SCALE	DESIGN UNITS	THIRD ANGLE PROJECTION
NTS	METRIC	$\text{C}$ $\text{A}$
TITLE		
EBBI, RECEPTACLE, CONN. 1.27MM CTR, 68 CKTS, R/A BLIND-MATE, 0.093 BRD		
MOLEX INCORPORATED		
MATERIAL NO.	DOCUMENT NO.	SHEET NO.
	SD-87537-100	1 OF 2
THIS DRAWING CONTAINS INFORMATION THAT IS PROPRIETARY TO MOLEX INCORPORATED AND SHOULD NOT BE USED WITHOUT WRITTEN PERMISSION		



RECOMMENDED PC BOARD LAYOUT 3  
 COMPONENT SIDE

NOTES :

1. MATERIALS:  
 HOUSING - LIQUID CRYSTAL POLYMER, GLASS FILLED, UL94V-0, BLACK  
 TERMINALS - PHOSPHOR BRONZE
2. PLATING :  
 0.76µm MIN. GOLD IN SELECTIVE CONTACT AREA AND  
 2.54µm MIN. TIN IN SOLDER TAIL AREA, BOTH  
 OVER 1.27µm MIN. NICKEL.
- 3 RECOMMENDED PCB THICKNESS IS 2.36 ± 0.13 mm.
4. CIRCUIT #58 TO BE RECESSED 0.50mm BEHIND ALL OTHER CONTACTS.
5. MATES WITH 71661-7XXX, 71661-25XXX.
6. PRODUCT SPECIFICATION PS-87537-0001 APPLIES.
7. PART IS LUBRICATED AT TERMINAL CONTACTS TO MINIMISE UNMATE FORCE.

ADD LUBRICATION EC NO: S2007-0048 DRWN:ATSEE CHKD:SHONG APPR:KCLING	2006/07/24 2006/07/24 2006/07/24	DESCRIPTION REV	QUALITY SYMBOLS ▽=0 ▽=0	GENERAL TOLERANCES (UNLESS SPECIFIED)		DIMENSION STYLE MM ONLY	SCALE NTS	DESIGN UNITS METRIC	THIRD ANGLE PROJECTION			
				mm	INCH	DRAWN BY BBTAN	DATE 2005/09/29	TITLE EBBI, RECEPTACLE, CONN. 1.27MM CTR, 68 CKTS, R/A BLIND-MATE, 0.093 BRD				
				4 PLACES ± ---	± ---	CHECKED BY CGTAN	DATE 2005/10/31					
				3 PLACES ± ---	± ---	APPROVED BY SHONG	DATE 2005/10/31	MOLEX INCORPORATED				
2 PLACES ± 0.25	± ---	MATERIAL NO.		DOCUMENT NO.		SHEET NO.						
1 PLACE ± ---	± ---	DRAFT WHERE APPLICABLE MUST REMAIN WITHIN DIMENSIONS		SEE TABLE		SD-87537-100		2 OF 2				
ANGULAR ± 3 °	THIS DRAWING CONTAINS INFORMATION THAT IS PROPRIETARY TO MOLEX INCORPORATED AND SHOULD NOT BE USED WITHOUT WRITTEN PERMISSION											