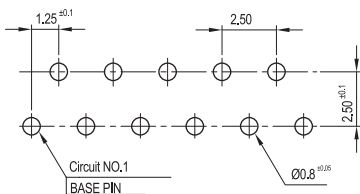
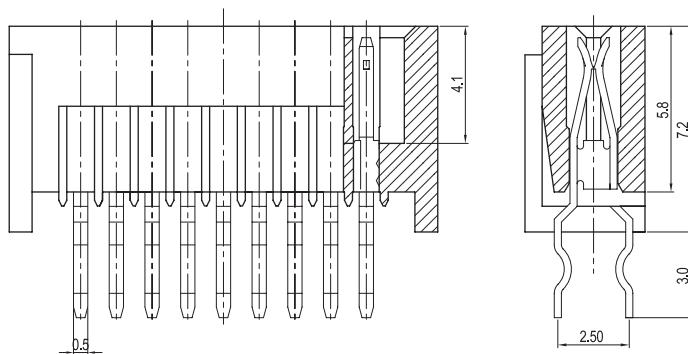
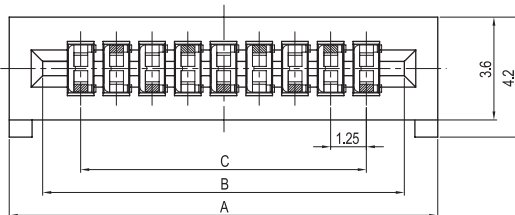
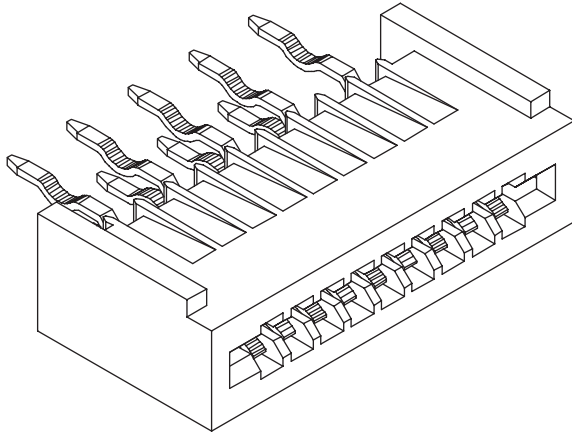


1.25mm (0.049") PITCH CONNECTOR

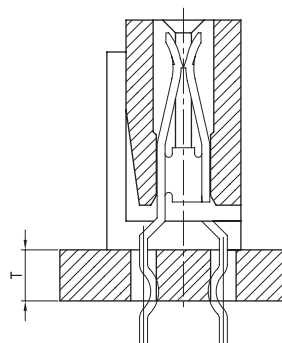


FPC/FFC Connector Housing

515 80(ST) Series
DIP, NON-ZIF(Dual Sided Contact Type)
Straight



PCB LAYOUT



PCB ASS'Y

Material

| I/NO | DESCRIPTION | TITLE | MATERIAL |
|------|-------------|----------|------------------------------|
| 1 | HOUSING | 51580-NN | PBT, UL 94V Grade |
| 2 | TERMINAL | | Phosphor Bronze & Tin plated |

Available Pin

| PARTS NO. | A | B | C |
|------------|-------|-------|-------|
| 515 80-04P | 8.75 | 6.35 | 3.75 |
| 515 80-05P | 10.00 | 7.60 | 5.00 |
| 515 80-06P | 11.25 | 8.85 | 6.25 |
| 515 80-07P | 12.50 | 10.10 | 7.50 |
| 515 80-08P | 13.75 | 11.35 | 8.75 |
| 515 80-09P | 15.00 | 12.60 | 10.00 |
| 515 80-10P | 16.25 | 13.85 | 11.25 |
| 515 80-11P | 17.50 | 15.10 | 12.50 |
| 515 80-12P | 18.75 | 16.35 | 13.75 |
| 515 80-13P | 20.00 | 17.60 | 15.00 |
| 515 80-14P | 21.25 | 18.85 | 16.25 |
| 515 80-15P | 22.50 | 20.10 | 17.50 |
| 515 80-16P | 23.75 | 21.35 | 18.75 |
| 515 80-17P | 25.00 | 22.60 | 20.00 |
| 515 80-18P | 26.25 | 23.85 | 21.25 |
| 515 80-19P | 27.50 | 25.10 | 22.50 |
| 515 80-20P | 28.75 | 26.35 | 23.75 |
| 515 80-21P | 30.00 | 27.60 | 25.00 |
| 515 80-22P | 31.25 | 28.85 | 26.25 |
| 515 80-23P | 32.50 | 30.10 | 27.50 |
| 515 80-24P | 33.75 | 31.35 | 28.75 |
| 515 80-25P | 35.00 | 32.60 | 30.00 |
| 515 80-26P | 36.25 | 33.85 | 31.25 |
| 515 80-27P | 37.50 | 35.10 | 32.50 |
| 515 80-28P | 38.75 | 36.35 | 33.75 |
| 515 80-29P | 40.00 | 37.60 | 35.00 |
| 515 80-30P | 41.25 | 38.85 | 36.25 |

Specification

| ITEM | SPEC |
|------------------------|-------------|
| Voltage Rating | AC/DC 125V |
| Current Rating | AC/DC 1A |
| Operating Temperature | -25℃~+85℃ |
| Contact Resistance | 30mΩ MAX |
| Withstanding Voltage | AC500V/1min |
| Insulation Resistance | 500MΩ MIN |
| Applicable Wire | - |
| Applicable P.C.B | 1.2 ~ 1.6mm |
| Applicable FPC/FFC | 0.30±0.05mm |
| Solder Height | - |
| Crimp Tensile Strength | - |
| UL FILE NO | - |