

## 5485, 54LS85, 54S85 Comparators

### 4-Bit Magnitude Comparators

#### Product Specification

#### Military Logic Products

#### FEATURES

- Magnitude comparison of any binary words
- Serial or parallel expansion without extra gating
- Use 54S85 for very high-speed comparisons

#### DESCRIPTION

The '85 is a 4-bit magnitude comparator that can be expanded to almost any

length. It compares two 4-bit binary, BCD, or other monotonic codes and presents the three possible magnitude results at the outputs. The 4-bit inputs are weighted ( $A_0 - A_3$ ) and ( $B_0 - B_3$ ), where  $A_3$  and  $B_3$  are the most significant bits.

The operation of the '85 is described in the Function Table, showing all possible logic conditions. The upper part of the table describes the normal operation under all conditions that will occur in a single device or in a series expansion scheme.

#### ORDERING INFORMATION

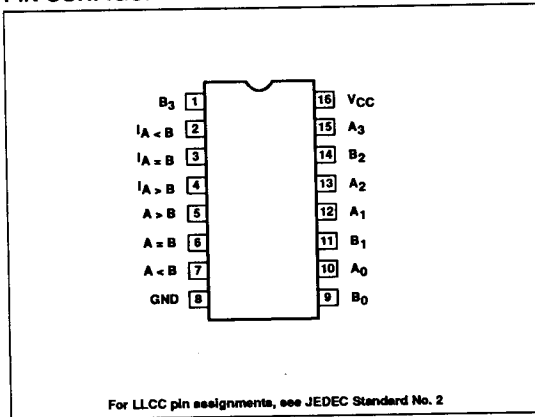
DESCRIPTION	ORDER CODE
16-Pin Ceramic DIP	54LS85/BEA 54S85/BEA 5485/BEA
16-Pin Ceramic FlatPack	54LS85/BFA 5485/BFA
16-Pin Ceramic LLCC	54LS85/B2A 54S85/B2A

#### INPUT AND OUTPUT LOADING AND FAN-OUT TABLE

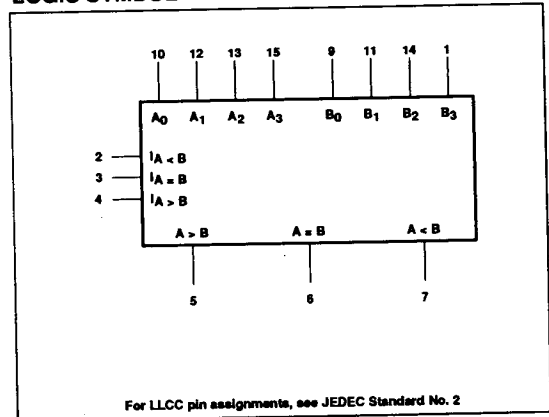
PINS	DESCRIPTION	54	54S	54LS
$A_0 - A_3, B_0 - B_3, I_A = B$	Inputs	3UL	3SUL	3LSUL
$I_A < B, I_A > B$	Inputs	1UL	1SUL	1LSUL
$A = B, A < B, A > B$	Outputs	10UL	10SUL	10LSUL

NOTE: Where a 54 Unit Load (UL) is understood to be  $40\mu A I_{IH}$  and  $-1.6mA I_{IL}$ , a 54S Unit Load (SUL) is  $50\mu A I_{IH}$  and  $-2.0mA I_{IL}$ , and 54LS Unit Load (LSUL) is  $20\mu A I_{IH}$  and  $-0.4mA I_{IL}$ .

#### PIN CONFIGURATION



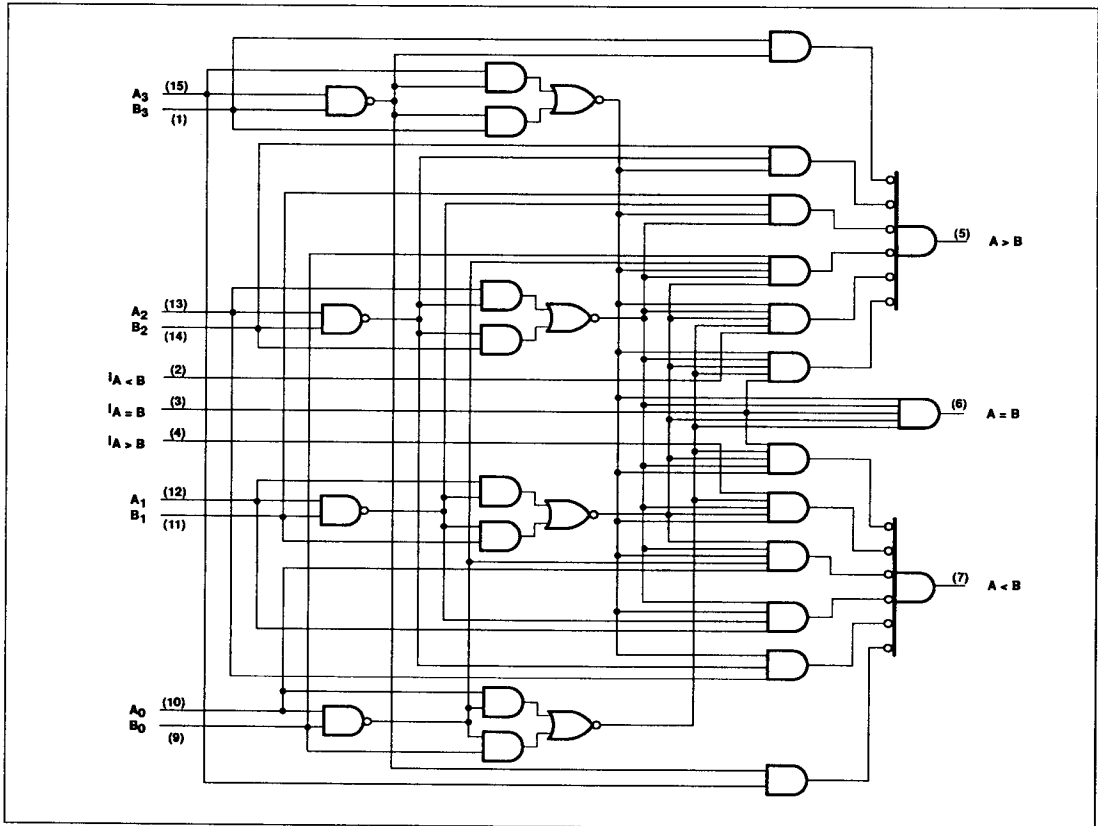
#### LOGIC SYMBOL



## Comparators

5485, 54LS85, 54S85

## LOGIC DIAGRAM



In the upper part of the table the three outputs are mutually exclusive. In the lower part of the table, the outputs reflect the feed-forward conditions that exist in the parallel expansion scheme.

The expansion inputs  $I_{A > B}$ ,  $I_{A = B}$ , and  $I_{A < B}$  are the least significant bit positions. When used for series expansion, the  $A > B$ ,  $A = B$  and  $A < B$  outputs of the least significant word are connected to the corresponding  $I_{A > B}$ ,  $I_{A = B}$ , and  $I_{A < B}$  inputs of the next higher stage. Stages can be added in

this manner to any length, but a propagation delay penalty of about 15ns is added with each additional stage. For proper operation the expansion inputs of the least significant word should be tied as follows:  $I_{A > B} = \text{Low}$ ,  $I_{A = B} = \text{High}$ , and  $I_{A < B} = \text{Low}$ .

The parallel expansion scheme shown in Figure 1 demonstrates the most efficient general use of these comparators. In the parallel expansion scheme, the expansion inputs can be used

as a fifth input bit position except on the least significant device which must be connected as in the serial scheme. The expansion inputs are used by labeling  $I_{A > B}$  as an "A" input,  $I_{A < B}$  as a "B" input and setting  $I_{A = B}$  Low. The '85 can be used as a 5-bit comparator only when the outputs are used to drive the ( $A_0 - A_3$ ) and ( $B_0 - B_3$ ) inputs of another '85 device. The parallel technique can be expanded to any number of bits as shown in Table 1.

## Comparators

5485, 54LS85, 54S85

## FUNCTION TABLE

COMPARING INPUTS				CASCADING INPUTS			OUTPUTS		
A <sub>3</sub> , B <sub>3</sub>	A <sub>2</sub> , B <sub>2</sub>	A <sub>1</sub> , B <sub>1</sub>	A <sub>0</sub> , B <sub>0</sub>	I <sub>A &gt; B</sub>	I <sub>A &lt; B</sub>	I <sub>A = B</sub>	A > B	A < B	A = B
A <sub>3</sub> > B <sub>3</sub>	X	X	X	X	X	X	H	L	L
A <sub>3</sub> < B <sub>3</sub>	X	X	X	X	X	X	L	H	L
A <sub>3</sub> = B <sub>3</sub>	A <sub>2</sub> > B <sub>2</sub>	X	X	X	X	X	H	L	L
A <sub>3</sub> = B <sub>3</sub>	A <sub>2</sub> < B <sub>2</sub>	X	X	X	X	X	L	H	L
A <sub>3</sub> = B <sub>3</sub>	A <sub>2</sub> = B <sub>2</sub>	A <sub>1</sub> > B <sub>1</sub>	X	X	X	X	H	L	L
A <sub>3</sub> = B <sub>3</sub>	A <sub>2</sub> = B <sub>2</sub>	A <sub>1</sub> < B <sub>1</sub>	X	X	X	X	L	H	L
A <sub>3</sub> = B <sub>3</sub>	A <sub>2</sub> = B <sub>2</sub>	A <sub>1</sub> = B <sub>1</sub>	A <sub>0</sub> > B <sub>0</sub>	X	X	X	H	L	L
A <sub>3</sub> = B <sub>3</sub>	A <sub>2</sub> = B <sub>2</sub>	A <sub>1</sub> = B <sub>1</sub>	A <sub>0</sub> < B <sub>0</sub>	X	X	X	L	H	L
A <sub>3</sub> = B <sub>3</sub>	A <sub>2</sub> = B <sub>2</sub>	A <sub>1</sub> = B <sub>1</sub>	A <sub>0</sub> = B <sub>0</sub>	H	L	L	H	L	L
A <sub>3</sub> = B <sub>3</sub>	A <sub>2</sub> = B <sub>2</sub>	A <sub>1</sub> = B <sub>1</sub>	A <sub>0</sub> = B <sub>0</sub>	L	H	L	L	H	L
A <sub>3</sub> = B <sub>3</sub>	A <sub>2</sub> = B <sub>2</sub>	A <sub>1</sub> = B <sub>1</sub>	A <sub>0</sub> = B <sub>0</sub>	L	L	H	L	L	H
A <sub>3</sub> = B <sub>3</sub>	A <sub>2</sub> = B <sub>2</sub>	A <sub>1</sub> = B <sub>1</sub>	A <sub>0</sub> = B <sub>0</sub>	X	X	H	L	L	H
A <sub>3</sub> = B <sub>3</sub>	A <sub>2</sub> = B <sub>2</sub>	A <sub>1</sub> = B <sub>1</sub>	A <sub>0</sub> = B <sub>0</sub>	H	H	L	L	L	L
A <sub>3</sub> = B <sub>3</sub>	A <sub>2</sub> = B <sub>2</sub>	A <sub>1</sub> = B <sub>1</sub>	A <sub>0</sub> = B <sub>0</sub>	L	L	L	H	H	L

H = High voltage level  
L = Low voltage level  
X = Don't care

# Comparators

5485, 54LS85, 54S85

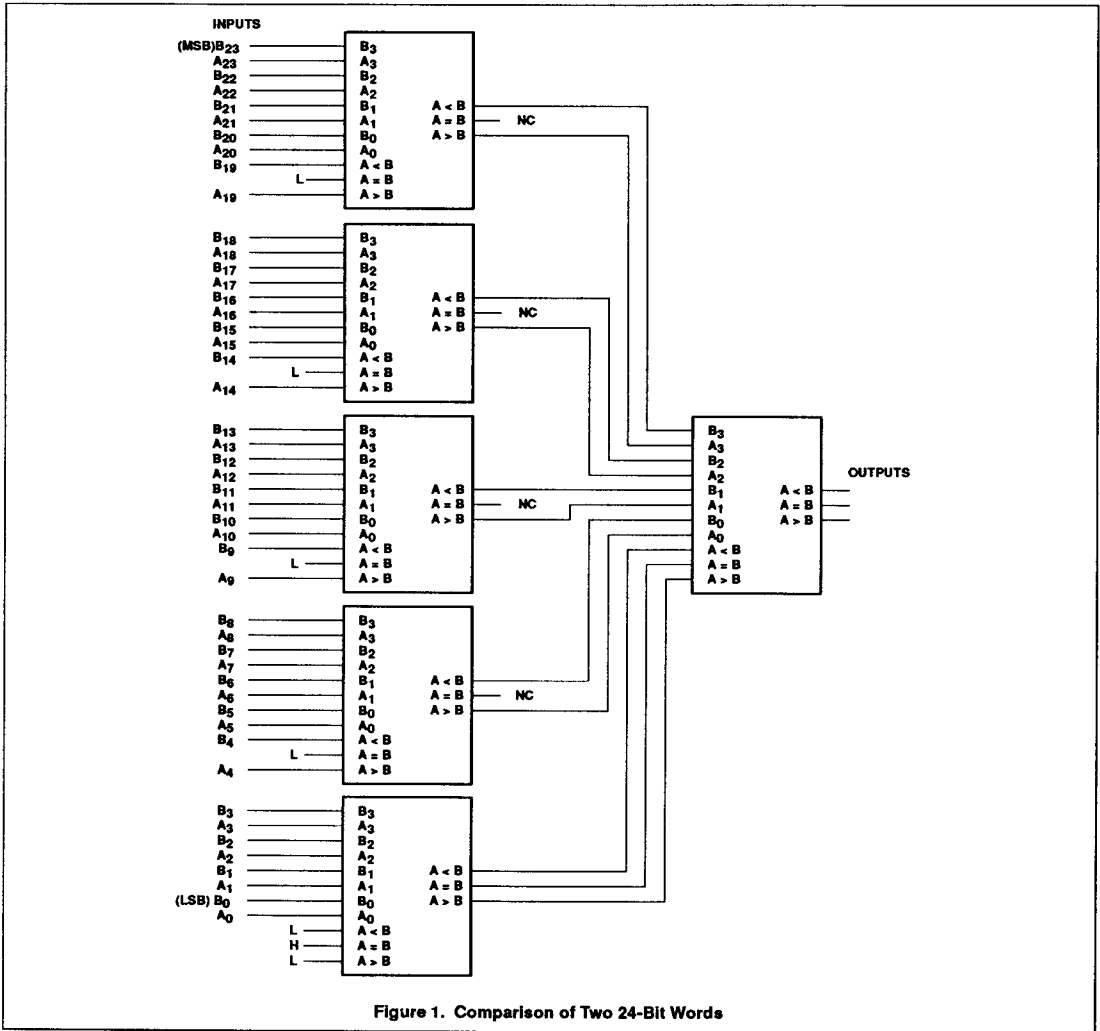


Table 1.

WORD LENGTH	NUMBER OF PACKAGES	TYPICAL SPEEDS		
		54	54S	54LS
1 - 4 Bits	1	23ns	12ns	23ns
5 - 25 Bits	2 - 6	40ns	22ns	46ns
25 - 120 Bits	8 - 31	63ns	34ns	69ns

## Comparators

5485, 54LS85, 54S85

## ABSOLUTE MAXIMUM RATINGS (Over operating free-air temperature range unless otherwise noted.)

SYMBOL	PARAMETER	54	54LS	54S	UNIT
$V_{CC}$	Supply voltage	7.0	7.0	7.0	V
$V_I$	Input voltage range	-0.5 to +5.5	-0.5 to +7.0	-0.5 to +5.5	V
$I_I$	Input current range	-30 to +5	-30 to +1	-30 to +5	mA
$V_O$	Voltage applied to output in High output state range	-0.5 to + $V_{CC}$	-0.5 to + $V_{CC}$	-0.5 to + $V_{CC}$	V
$T_{STG}$	Storage temperature range	-65 to +150			°C

## RECOMMENDED OPERATING CONDITIONS

SYMBOL	PARAMETER	54			54LS			54S			UNIT
		Min	Nom	Max	Min	Nom	Max	Min	Nom	Max	
$V_{CC}$	Supply voltage	4.5	5.0	5.5	4.5	5.0	5.5	4.5	5.0	5.5	V
$V_{IH}$	High-level input voltage	2.0			2.0			2.0			V
$V_{IL}$	Low-level input voltage			+0.8			+0.7			+0.8	V
			+125°C	+0.8			+0.7			+0.7	V
$I_{IK}$	Input clamp current			-12			-18			-18	mA
$I_{OH}$	High-level output current			-400			-400			-1000	μA
$I_{OL}$	Low-level output current			16			4			20	mA
$T_A$	Operating free-air temperature range	-55		+125	-55		+125	-55		+125	°C

## DC ELECTRICAL CHARACTERISTICS (Over recommended operating free-air temperature range unless otherwise noted.)

SYMBOL	PARAMETER	TEST CONDITIONS <sup>1</sup>	5485			54LS85			54S85			UNIT	
			Min	Typ <sup>2</sup>	Max	Min	Typ <sup>2</sup>	Max	Min	Typ <sup>2</sup>	Max		
$V_{OH}$	High-level output voltage	$V_{CC} = \text{Min}, V_{IH} = \text{Min}, V_{IL} = \text{Max}, I_{OH} = \text{Max}$	2.4	3.4		2.5	3.4		2.5	3.4		V	
$V_{OL}$	Low-level output voltage	$V_{CC} = \text{Min}, V_{IH} = \text{Min}, V_{IL} = \text{Max}, I_{OL} = \text{Max}$		0.2	0.4		0.25	0.4			0.5	V	
		+125°C			0.4			0.4			0.45	V	
$V_{IK}$	Input clamp voltage	$V_{CC} = \text{Min}, I_I = I_{IK}$			-1.5			-1.5			-1.2	V	
$I_{IH2}$	Input current at maximum input voltage	$V_{CC} = \text{Max}$	$V_I = 5.5V$			1.0					1.0	mA	
		$V_I = 7.0V$	$I_{A < B}, I_{A > B}$					0.1				mA	
			Other inputs						0.3			mA	
$I_{IH1}$	High-level input current	$V_{CC} = \text{Max}$	$V_I = 2.4V$	$I_{A < B}, I_{A > B}$		40						μA	
				Other inputs			120						μA
			$V_I = 2.7V$	$I_{A < B}, I_{A > B}$					20			50	μA
				Other inputs					60			150	μA
$I_{IL}$	Low-level input current	$V_{CC} = \text{Max}$	$V_I = 0.4V$	$I_{A < B}, I_{A > B}$		-1.6		-0.4				mA	
				Other inputs			-4.8		-1.2				mA
			$V_I = 0.5V$	$I_{A < B}, I_{A > B}$								-2.0	mA
				Other inputs								-6.0	mA
$I_{OS}$	Short-circuit output current <sup>3</sup>	$V_{CC} = \text{Max}$	-18		-55	-20		-100	-40		-100	mA	
$I_{CC}$	Supply current <sup>4</sup> (total)	$V_{CC} = \text{Max}$		55	88		10.4	20		73	115	mA	

## Comparators

5485, 54LS85, 54S85

AC ELECTRICAL CHARACTERISTICS  $T_A = 25^\circ\text{C}$ ,  $V_{CC} = 5.0\text{V}$ 

SYMBOL	PARAMETER	TEST CONDITIONS	54		54LS <sup>5</sup>		54S <sup>5</sup>		UNIT
			$C_L = 15\text{pF}$		$C_L = 15\text{pF}$		$C_L = 15\text{pF}$		
			Min	Max	Min	Max	Min	Max	
$t_{PLH}$ $t_{PHL}$	Propagation delay A or B input to A < B, A > B output	Waveform 1 3 logic levels		26 30		36 30		16 16.5	ns ns
$t_{PLH}$ $t_{PHL}$	Propagation delay A or B input to A = B output	Waveform 2 4 logic levels		35 30		45 45		18 16.5	ns ns
$t_{PLH}$ $t_{PHL}$	Propagation delay $I_{A < B}$ and $I_{A = B}$ input to A > B output	Waveform 1 1 logic level		11 17		22 17		7.5 8.5	ns ns
$t_{PLH}$ $t_{PHL}$	Propagation delay $I_{A = B}$ input to A = B output	Waveform 2 2 logic levels		20 17		20 26		10.5 7.5	ns ns
$t_{PLH}$ $t_{PHL}$	Propagation delay $I_{A > B}$ and $I_{A = B}$ input to A < B output	Waveform 1 1 logic level		11 17		22 17		7.5 8.5	ns ns

AC ELECTRICAL CHARACTERISTICS  $T_A = 25^\circ\text{C}$ ,  $V_{CC} = 5.0\text{V}$ 

SYMBOL	PARAMETER	TEST CONDITIONS	54 <sup>5</sup>		54LS		54S		UNIT
			$C_L = 50\text{pF}$		$C_L = 50\text{pF}$		$C_L = 50\text{pF}$		
			Min	Max	Min	Max	Min	Max	
$t_{PLH}$ $t_{PHL}$	Propagation delay A or B input to A < B, A > B output	Waveform 1 3 logic levels		30 34		41 35		19.0 19.5	ns ns
$t_{PLH}$ $t_{PHL}$	Propagation delay A or B input to A = B output	Waveform 2 4 logic levels		39 34		50 50		19.5 19.5	ns ns
$t_{PLH}$ $t_{PHL}$	Propagation delay $I_{A < B}$ and $I_{A = B}$ input to A > B output	Waveform 1 1 logic level		15 21		27 22		9.5 10.5	ns ns
$t_{PLH}$ $t_{PHL}$	Propagation delay $I_{A = B}$ input to A = B output	Waveform 2 2 logic levels		24 21		25 31		13.0 9.5	ns ns
$t_{PLH}$ $t_{PHL}$	Propagation delay $I_{A > B}$ and $I_{A = B}$ input to A < B output	Waveform 1 1 logic level		15 21		27 22		9.5 10.5	ns ns

## Comparators

5485, 54LS85, 54S85

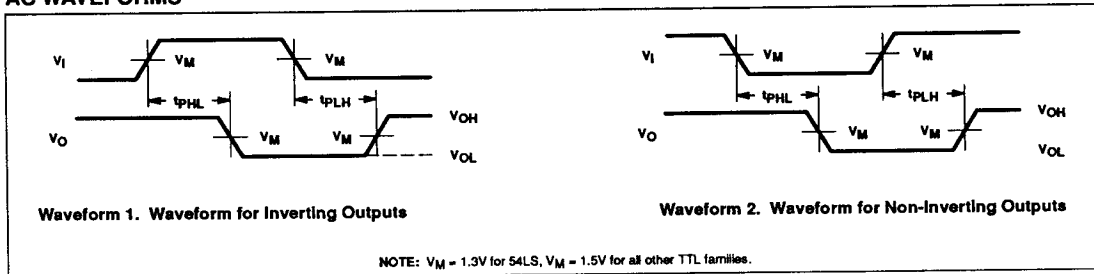
AC ELECTRICAL CHARACTERISTICS  $T_A = -55^\circ\text{C}$  and  $+125^\circ\text{C}$ ,  $V_{CC} = 5.0\text{V}$ 

SYMBOL	PARAMETER	TEST CONDITIONS	54 <sup>S</sup>		54LS <sup>S</sup>		54S <sup>S</sup>		UNIT
			$C_L = 50\text{pF}$		$C_L = 50\text{pF}$		$C_L = 50\text{pF}$		
			Min	Max	Min	Max	Min	Max	
$t_{PLH}$ $t_{PHL}$	Propagation delay A or B input to A < B, A > B output	Waveform 1 3 logic levels		39 44		53 46		23 24	ns ns
$t_{PLH}$ $t_{PHL}$	Propagation delay A or B input to A = B output	Waveform 2 4 logic levels		51 44		65 65		25 24	ns ns
$t_{PLH}$ $t_{PHL}$	Propagation delay $I_{A < B}$ and $I_{A = B}$ input to A > B output	Waveform 1 1 logic level		20 27		35 29		11.5 13	ns ns
$t_{PLH}$ $t_{PHL}$	Propagation delay $I_{A = B}$ input to A = B output	Waveform 2 2 logic levels		31 27		33 40		16 12	ns ns
$t_{PLH}$ $t_{PHL}$	Propagation delay $I_{A > B}$ and $I_{A = B}$ input to A < B output	Waveform 1 1 logic level		20 27		35 29		11.5 13	ns ns

## NOTES:

- For conditions shown as Min or Max, use the appropriate value specified under recommended operating conditions for the applicable type and function table operating mode.
- All typical values are at  $V_{CC} = 5\text{V}$ ,  $T_A = 25^\circ\text{C}$ .
- Not more than one output should be shorted at a time and duration of the short circuit should not exceed one second.
- $I_{CC}$  is measured with outputs open, A = B grounded, and all other inputs at  $\geq 4.0\text{V}$ .
- These parameters are guaranteed, but not tested.

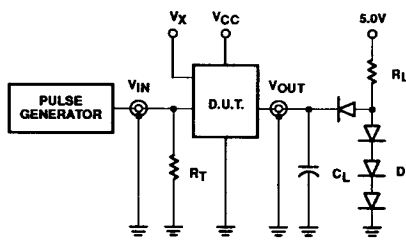
## AC WAVEFORMS



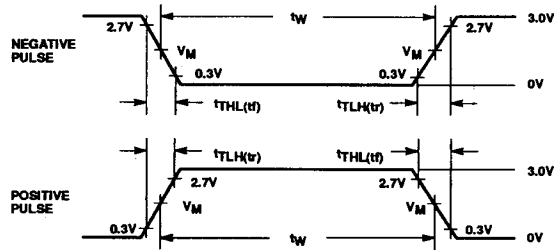
# Comparators

5485, 54LS85, 54S85

## TEST CIRCUIT AND WAVEFORM



Test Circuit for 54 Totem-Pole Outputs



Input Pulse Definition

FAMILY	INPUT PULSE CHARACTERISTICS					
	$R_L$	$V_M$	Rep. Rate	$T_w$	$T_{TLH}(tr)$	$T_{THL}(tr)$
54LSXXX	2.0k $\Omega$	1.3V	1MHz	500ns	$\leq 15ns$	$\leq 6ns$
54XXX	400 $\Omega$	1.5V	1MHz	500ns	$\leq 7ns$	$\leq 7ns$
54SXXX	280 $\Omega$	1.5V	1MHz	500ns	$\leq 2.5ns$	$\leq 2.5ns$

**DEFINITIONS:**

- $C_L$  = Load capacitance includes jig and probe capacitance; see AC Characteristics for value.
- $R_T$  = Termination resistance should be equal to  $Z_{OUT}$  of Pulse Generators.
- D = Diodes are 1N916, 1N3064, or equivalent.
- $V_x$  = Unlocked pins must be held at  $\leq 0.8V$ ,  $\geq 2.7V$  or open per FunctionTable.