

Am29C60A

CMOS Cascadable 16-Bit Error Detection and Correction Unit



Advanced
Micro
Devices

DISTINCTIVE CHARACTERISTICS

- **Boosts Memory Reliability**
Corrects all single-bit errors. Detects all double- and some triple-bit errors. Reliability of dynamic RAM systems is increased more than sixty-fold.
- **Very High Speed, Low Power**
Perfect for MOS microprocessors, minicomputers, main-frame systems, and engineering workstations.
High-performance systems can use the Am29C60 EDC in check-only mode to avoid memory system slowdown.
- **Handles Data Words From 8 Bits to 64 Bits**
The Am29C60A EDC cascades: one EDC for 8 bits or 16 bits, two for 32 bits, four for 64 bits.
- **Easy Byte Operations**
Separate byte enables on the data output latch simplify the steps and cut the time required for byte writes.
- **Built-In Diagnostics**
The processor may completely exercise the EDC under software control to check for proper operation of the EDC.
- **Compatible with the bipolar Am2960 Family.**

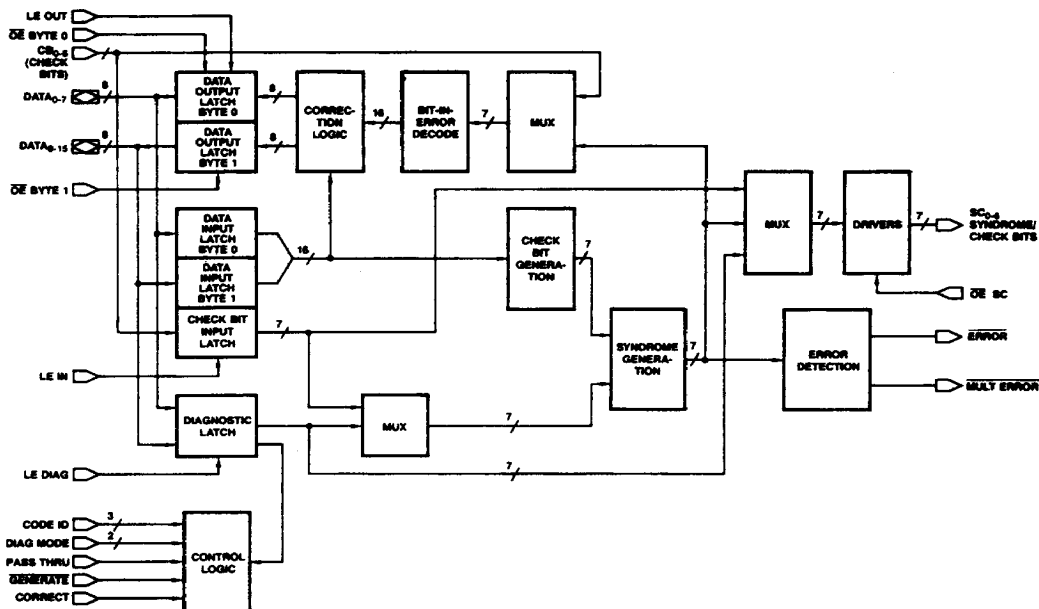
GENERAL DESCRIPTION

The Am29C60A Error Detection and Correction Unit (EDC) contains the logic necessary to generate check bits on a 16-bit data field according to a modified Hamming Code, and to correct the data word when check bits are supplied. Operating on data read from memory, the Am29C60A corrects any single-bit errors and detects all double- and some triple-bit errors. For 16-bit words, 6 check bits are used. The Am29C60A is expandable to operate on 32-bit words (7

check bits) and 64-bit words (8 check bits). In all configurations, the device makes the error syndrome available on separate outputs for data logging.

The Am29C60A also features two diagnostic modes in which diagnostic data can be forced into portions of the chip to simplify device testing and to execute system diagnostic functions.

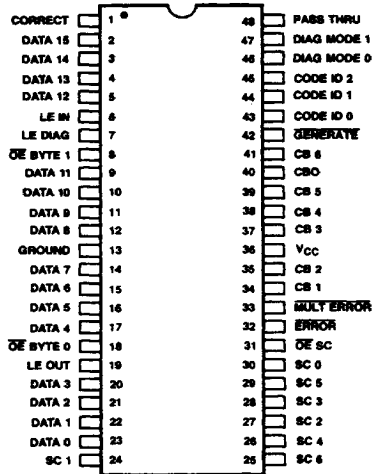
BLOCK DIAGRAM



BD001261

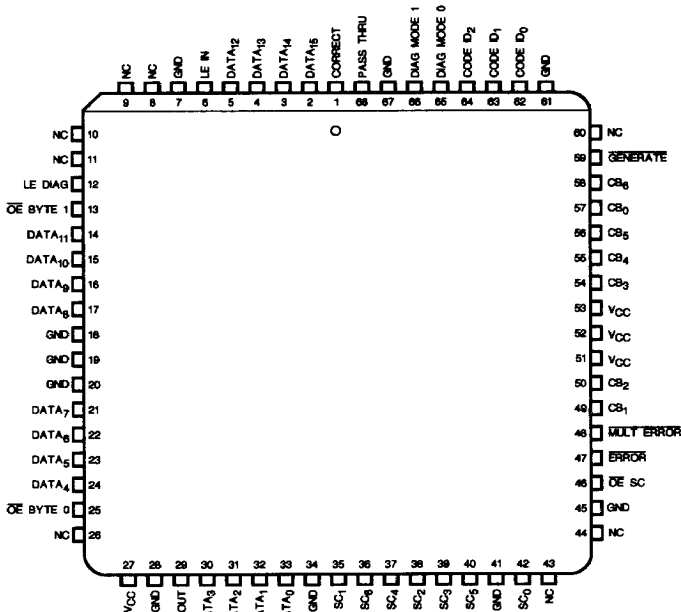
CONNECTION DIAGRAMS Top View

DIPs



CD001421

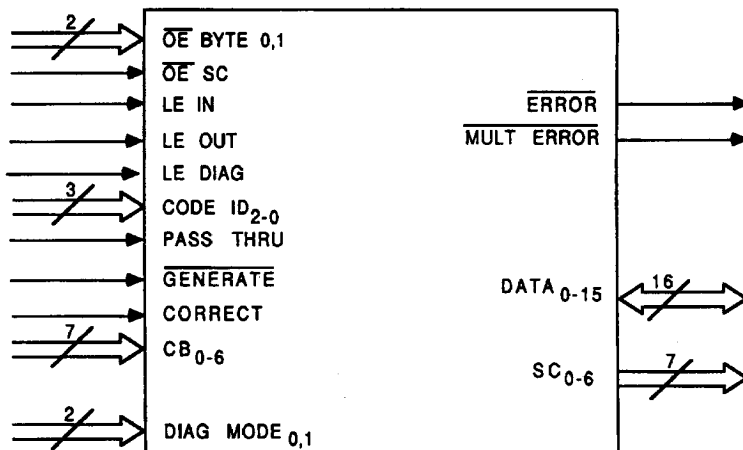
PLCC



CD010232

Note: Pin 1 is marked for orientation.

LOGIC SYMBOL



LS002833

Die Size: .137" x .142"
Gate Count: 875

RELATED AMD PRODUCTS

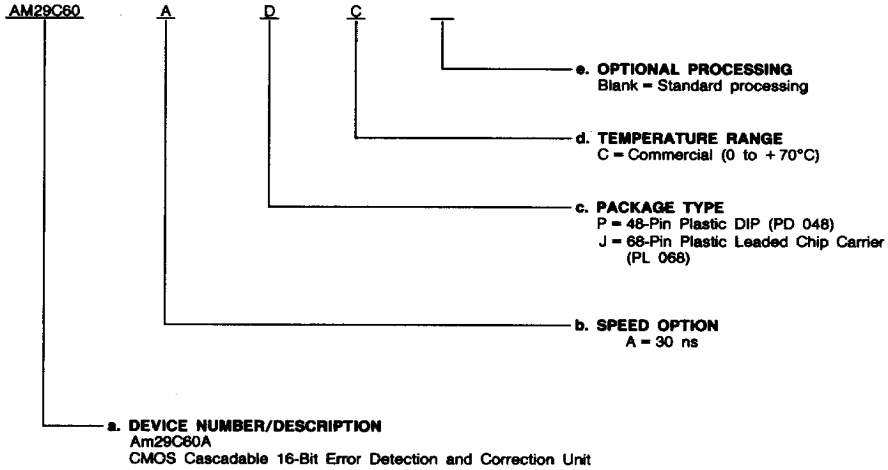
Part No.	Description
Am29C668	4M Configurable Dynamic Memory Controller/Driver
Am29C660E	9 ns 32-Bit Cascadable EDC
Am29C983A	9-Bit x 4-Port Multiple Bus Exchange, High Speed
Am29C985	9-Bit x 7-Port Multiple Bus Exchange w/Parity
Am29C676	11-Bit DRAM Driver
Am2965/6	8-Bit DRAM Driver (Inverting, Non-inverting)

ORDERING INFORMATION

Standard Products

AMD standard products are available in several packages and operating ranges. The order number (Valid Combination) is formed by a combination of:

- a. **Device Number**
- b. **Speed Option** (if applicable)
- c. **Package Type**
- d. **Temperature Range**
- e. **Optional Processing**



Valid Combinations

Valid Combinations list configurations planned to be supported in volume for this device. Consult the local AMD sales office to confirm availability of specific valid combinations, to check on newly released combinations, and to obtain additional data on AMD's standard military grade products.

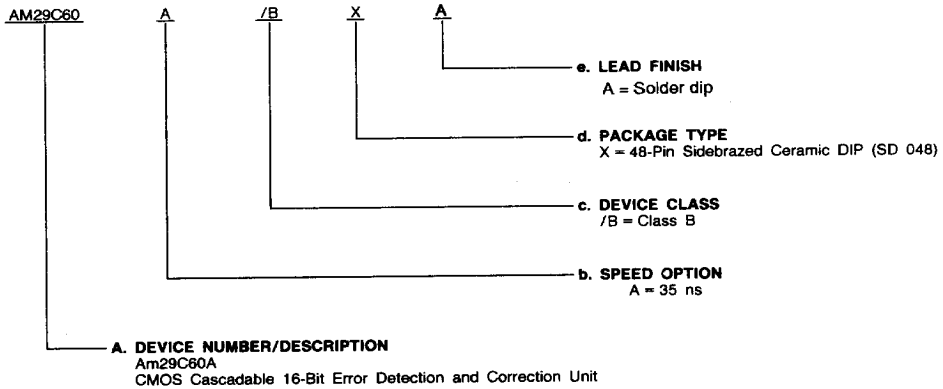
Valid Combinations	
AM29C60A	PC, JC

MILITARY ORDERING INFORMATION

APL Products

AMD products for Aerospace and Defense applications are available in several packages and operating ranges. APL (Approved Products List) products are fully compliant with MIL-STD-883C requirements. The order number (Valid Combination) for APL products is formed by a combination of:

- a. **Device Number**
- b. **Speed Option** (if applicable)
- c. **Device Class**
- d. **Package Type**
- e. **Lead Finish**



Valid Combinations	
AM29C60A	/BXA

Valid Combinations

Valid Combinations list configurations planned to be supported in volume for this device. Consult the local AMD sales office to confirm availability of specific valid combinations or to check for newly released valid combinations.

Group A Tests

Group A tests consists of Subgroups
1, 2, 3, 7, 8, 9, 10, 11

PIN DESCRIPTION

CB₀₋₆ Check Bits (Input)

The check bit lines are used to input check bits for error detection. Also used to input syndrome bits for error correction in 32- and 64-bit configurations.

CODE ID₂₋₀ Code Identification (Input)

These three bits identify the size of the total data word to be processed and which 16-bit slice of larger data words a particular EDC is processing. The three allowable data word sizes are 16, 32, and 64 bits, and their respective modified Hamming codes are designated 16/22, 32/39, and 64/72. Special CODE ID input 001 (ID₂, ID₁, ID₀) is also used to instruct the EDC to take the signals CODE ID₂₋₀, DIAG MODE₀₋₁, CORRECT, and PASS THRU from the Diagnostic Latch, rather than from the input control lines.

CORRECT Correct (Input)

When HIGH, this signal allows the correction network to correct any single-bit error in the Data Input Latch (by complementing the bit-in-error) before putting it into the Data Output Latch. When the signal is LOW, the EDC drives data directly from the Data Input Latch to the Data Output Latch without correction.

DATA₀₋₁₅ Data (Input/Output; Three State)

These bidirectional data lines provide input to the Data Input Latch and Diagnostic Latch, and receive output from the Data Output Latch. DATA₀ is the least significant bit; DATA₁₅ the most significant.

DIAG MODE₀₋₁ Diagnostic Mode Select (Input)

These two lines control the initialization and diagnostic operation of the EDC.

ERROR Error Detected (Output)

When the EDC is in Detect or Correct Mode, this output goes LOW if one or more syndrome bits are asserted, indicating one or more bit errors in the data or check bits. If no syndrome bits are asserted, there are no errors detected and the output will be HIGH. In Generate Mode, ERROR is forced HIGH. In a 64-bit configuration, ERROR must be externally implemented.

GENERATE Generate Check Bits (Input)

When this input is LOW, the EDC is in the Check Bit Generate Mode. When HIGH, the EDC is in the Detect Mode or Correct Mode.

In the Generate Mode, the circuit generates the check bits or partial check bits specific to the data in the Data Input Latch. The generated check bits are placed on the SC outputs.

In the Detect or Correct Modes, the EDC detects single and multiple errors and generates syndrome bits based on the contents of the Data Input Latch and Check Bit Input Latch. In Correct Mode, single-bit errors are also automatically corrected; corrected data is placed at the inputs of the Data Output Latch. The syndrome result is placed on the SC outputs, and indicates in a coded form the number of errors and the bit-in-error.

LE DIAG Diagnostic Latch Enable (Input)

When this input is HIGH, the Diagnostic Latch follows the 16-bit data on the input lines. When it is LOW, the outputs of the Diagnostic Latch are latched to their previous states. The Diagnostic Latch holds diagnostic check bits and internal control signals for CODE ID₂₋₀, DIAG MODE₀₋₁, CORRECT, and PASS THRU.

LE IN Latch Enable - Data Input Latch (Input)

This input controls latching of the input data. When HIGH, the Data Input Latch and Check Bit Input Latch follow the input data and input check bits. When LOW, the Data Input Latch and Check Bit Input Latch are latched to their previous state.

LE OUT Latch Enable - Data Output Latch (Input)

This input controls the latching of the Data Output Latch. When it is LOW, the Data Output Latch is latched to its previous state. When it is HIGH, the Data Output Latch follows the output of the Data Input Latch as modified by the correction logic network. In Correct Mode, single-bit errors are corrected by the network before loading into the Data Output Latch. In Detect Mode, the contents of the Data Input Latch are passed unchanged through the correction network into the Data Output Latch. The inputs to the Data Output Latch are unspecified if the EDC is in Generate Mode.

MULT ERROR Multiple Errors Detected (Output)

When the EDC is in Detect or Correct Mode, this output, if LOW, indicates that two or more bit errors have been detected. If HIGH, either one or no errors have been detected. In Generate Mode, MULT ERROR is forced HIGH. In a 64-bit configuration, MULT ERROR must be externally implemented.

OE BYTE 0, 1 Output Enable Bytes 0, 1 (Input)

These lines control the three-state outputs for each of the two bytes of the Data Output Latch. When LOW, these lines enable the Data Output Latch, and when HIGH, these lines force the Data Output Latch into the high-impedance state. The two enable lines can be separately activated to enable only one byte of the Data Output Latch at a time.

OE SC Output Enable, Syndrome/Check Bits (Input)

When this input is LOW, the three-state output lines SC₀₋₆ are enabled. When the input is HIGH, the SC outputs are in the high-impedance state.

PASS THRU Pass Thru (Input)

This line, when HIGH, forces the contents of the Check Bit Input Latch onto the Syndrome/Check Bit outputs (SC₀₋₆) and the unmodified contents of the Data Input Latch onto the inputs of the Data Output Latch.

SC₀₋₆ Syndrome/Check Bits (Output; Three State)

These seven lines hold the check/partial-check bits when the EDC is in Generate Mode, and hold the syndrome/partial syndrome bits when the device is in Detect or Correct Modes. These are three-state outputs.

FUNCTIONAL DESCRIPTION

The CMOS version saves system power with no loss in performance. The Am29C60A is a performance upgrade of the Am29C60 but is not a parametric equivalent to the bipolar Am2960A.

The CMOS EDC circuit contains proprietary output buffers to decrease the on-chip-generated noise caused by current changes

through fast logic. This minimizes "ground bounce" and ensures proper chip performance of these high-speed CMOS solutions in the system environment.

Please refer to EDC Product Specifications Booklet (Literature #03565E/0) for detailed functional description and applications information.

ABSOLUTE MAXIMUM RATINGS

Storage Temperature	-65°C to +150°C
Temperature (Case)	
Under Bias	-55°C to +125°C
Supply Voltage to Ground Potential	
Continuous	-0.5 V to +7.0 V
DC Voltage Applied to Outputs For	
High Output State	-0.5 V to V_{CC} Max.
DC Input Voltage	-0.5 V to +5.5 V
DC Input Current	-30 mA to +5.0 mA

Stresses above those listed under ABSOLUTE MAXIMUM RATINGS may cause permanent device failure. Functionality at or above these limits is not implied. Exposure to absolute maximum ratings for extended periods may affect device reliability.

OPERATING RANGES

Commercial (C) Devices	
Ambient Temperature (T_A)	0°C to +70°C
Supply Voltage	+4.75 V to +5.25 V
Military (M) Devices	
Case Temperature (T_C)	-55°C to +125°C
Supply Voltage	+4.5 V to +5.5 V

Operating ranges define those limits between which the functionality of the device is guaranteed.

DC CHARACTERISTICS over operating range unless otherwise specified (for APL Products, Group A, Subgroups 1, 2, 3 are tested unless otherwise noted)

Parameter Symbol	Parameter Description	Test Conditions (Note 1)		Min.	Max.	Unit	
V_{OH}	Output HIGH Voltage	$V_{CC} = \text{Min.}$, $V_{IN} = V_{IH}$ or V_{IL}	$I_{OH} = -300 \mu\text{A}$		$V_{CC} - 0.2$	V	
			MIL $I_{OH} = -12 \text{ mA}$		2.4		
			COM'L $I_{OH} = -15 \text{ mA}$		2.4		
V_{OL}	Output LOW Voltage	$V_{CC} = \text{Min.}$, $V_{IN} = V_{IH}$ or V_{IL}	$I_{OL} = 300 \mu\text{A}$		0.2	V	
			MIL $I_{OL} = 8 \text{ mA}$		0.5		
			COM'L $I_{OL} = 16 \text{ mA}$		0.5		
V_{IH}	Input HIGH Voltage	Guaranteed Input Logical HIGH Voltage for all Inputs (Note 5)			2.0	V	
V_{IL}	Input LOW Voltage	Guaranteed Input Logical LOW Voltage for all Inputs (Note 5)			0.8	V	
I_{IL}	Input LOW Current	$V_{CC} = \text{Max.}$ $V_{IN} = 0.5 \text{ V}$	DATA ₀₋₁₅ (Note 3)		-10	μA	
			All Other Inputs		-10		
I_{IH}	Input HIGH Current	$V_{CC} = \text{Max.}$ $V_{IN} = 2.7 \text{ V}$	DATA ₀₋₁₅ (Note 3)		10	μA	
			All Other Inputs		10		
I_I	Input HIGH Current	$V_{CC} = \text{Max.}$			10	μA	
I_{OZH} I_{OZL}	Off State (High-Impedance) Output Current	$V_{CC} = \text{Max.}$	DATA ₀₋₁₅	$V_O = 2.4$	40	μA	
				$V_O = 0.5$	-40		
			SC ₀₋₆	$V_O = 2.4$	40		
				$V_O = 0.5$	-40		
I_{OS}	Output Short-Circuit Current (Note 2)	$V_{CC} = \text{Max.}$ $V_O = 0 \text{ V}$			-30	-140	mA
I_{CC}	Power Supply (Note 4)	$V_{CC} = \text{Max.}$	COM'L			50	mA
			MIL			50	
		$V_{CC} = 5.0 \text{ V}$ (Note 6)	$T_A = +25^\circ\text{C}$			30	
I_{CCQ}	Quiescent Power Supply (CMOS)	$V_{CC} = \text{Max.}$	COM'L			5	mA
			MIL			5	
			$V_{CC} = 5.0 \text{ V}$ (Note 6)	$T_A = +25^\circ\text{C}$			2

- Notes: 1. For conditions shown as Min. or Max., use the appropriate value specified under Operating Range for the applicable device type.
 2. Not more than one output should be shorted at a time. Duration of the short-circuit test should not exceed one second.
 3. These are three-state outputs internally connected to TTL inputs. Input characteristics are measured with outputs disabled (high impedance).
 4. Worst-case I_{CC} is at minimum temperature. Test conditions:
 $C_L = 50 \text{ pF}$, $f = 10 \text{ MHz}$, $V_{IN} = 50\%$ duty cycle for all inputs at 3.4 V and 0.4 V, $\overline{OE} = \text{GND}$.
 5. These input levels provide zero noise immunity and should only be tested in a static, noise-free environment.
 6. Not production tested. Typical I_{CC} ($V_{CC} = 5.0 \text{ V}$ and $T_A = 25^\circ\text{C}$) represents nominal units.

SWITCHING CHARACTERISTICS over **COMMERCIAL** operating range (Notes 1 and 2)

The following table specifies the guaranteed device performance over the commercial operating range of 0°C to +70°C (ambient), with V_{CC} 4.75 to 5.25 V. All input switching is between 0 V and 3 V at 1 V/ns, and measurements are made at 1.5 V. All outputs have maximum DC load. All units are in nanoseconds (ns).

No.	Parameter Symbol	Data Path Description		Am29C60A	
		From Input	To Output	Min.	Max.
1	t _{PD}	DATA ₀₋₁₅ (Note 3)	SC ₀₋₆		20
			DATA ₀₋₁₅		30
			ERROR		20
			MULT ERROR		23
2	t _{PD}	CB ₀₋₆ (CODE ID ₂₋₀ 000, 011)	SC ₀₋₆ (Note 7)		14
			DATA ₀₋₁₅		25
			ERROR		20
			MULT ERROR		23
3	t _{PD}	CB ₀₋₆ (CODE ID ₂₋₀ 010, 100, 101, 110, 111)	SC ₀₋₆ (Note 7)		17
			DATA ₀₋₁₅		25
			ERROR		20
			MULT ERROR		23
4	t _{PD}	GENERATE	SC ₀₋₆ (Note 7)		17
			DATA ₀₋₁₅		25
			ERROR (Note 7)		16
			MULT ERROR		17
5	t _{PD}	CORRECT (Not Internal Control Mode)	SC ₀₋₆		-
			DATA ₀₋₁₅		20
			ERROR		-
			MULT ERROR		-
6	t _{PD}	DIAG MODE (Not Internal Control Mode)	SC ₀₋₆ (Note 7)		22
			DATA ₀₋₁₅		27
			ERROR (Note 7)		19
			MULT ERROR (Note 7)		21
7	t _{PD}	PASS THRU (Not Internal Control Mode)	SC ₀₋₆		22
			DATA ₀₋₁₅		25
			ERROR		18
			MULT ERROR		21
8	t _{PD}	CODE ID ₂₋₀	SC ₀₋₆		23
			DATA ₀₋₁₅		28
			ERROR		25
			MULT ERROR		28

Notes: See notes at end of this section.

SWITCHING CHARACTERISTICS over **COMMERCIAL** operating range (Cont'd.)

No.	Parameter Symbol	Data Path Description		Am29C60A	
		From Input	To Output	Min.	Max.
9	t _{PD}	LE IN (From latched to transparent)	SC ₀₋₆		22
			DATA ₀₋₁₅		32
			ERROR		22
			MULT ERROR		25
10	t _{PD}	LE OUT (From latched to transparent)	SC ₀₋₆		-
			DATA ₀₋₁₅		13
			ERROR		-
			MULT ERROR		-
11	t _{PD}	LE DIAG (From latched to transparent; Not Internal Control Mode)	SC ₀₋₆		22
			DATA ₀₋₁₅		32
			ERROR		22
			MULT ERROR		25
12	t _{PD}	Internal Control Mode: LE DIAG (From latched to transparent)	SC ₀₋₆		28
			DATA ₀₋₁₅		38
			ERROR		28
			MULT ERROR		31
13	t _{PD}	Internal Control Mode: DATA ₀₋₁₅ (Via Diagnostic latch)	SC ₀₋₆		28
			DATA ₀₋₁₅		38
			ERROR		28
			MULT ERROR		31
14	t _{SET}	DATA ₀₋₁₅ (Notes 4, 5)	LE IN	5	
15	t _{HOLD}			3	
16	t _{SET}	CB ₀₋₆ (Notes 4, 5)		5	
17	t _{HOLD}			3	
18	t _{SET}	DATA ₀₋₁₅ (Notes 4, 5)	LE OUT	24	
19	t _{HOLD}			2	
20	t _{SET}	CB ₀₋₆ (CODE ID 000, 011) (Notes 4, 5)		21	
21	t _{HOLD}			0	
22	t _{SET}	CB ₀₋₆ (CODE ID 010, 100, 101, 110, 111) (Notes 4, 5)		21	
23	t _{HOLD}			0	
24	t _{SET}	GENERATE (Notes 4, 5)		26	
25	t _{HOLD}			0	
26	t _{SET}	CORRECT (Notes 4, 5)		22	
27	t _{HOLD}			0	
28	t _{SET}	DIAG MODE (Notes 4, 5)		22	
29	t _{HOLD}			0	
30	t _{SET}	PASS THRU (Notes 4, 5)		22	
31	t _{HOLD}			0	
32	t _{SET}	CODE ID ₂₋₀ (Notes 4, 5)		25	
33	t _{HOLD}			0	

Notes: See notes at end of this section.

SWITCHING CHARACTERISTICS over **COMMERCIAL** operating range (Cont'd.)

No.	Parameter Symbol	Data Path Description		Am29C60A	
		From Input	To Output	Min.	Max.
34	t _{SET}	LE IN (Notes 4, 5)	LE OUT	28	
35	t _{HOLD}			0	
36	t _{SET}	DATA ₀₋₁₅ (Notes 4, 5)	LE DIAG	3	
37	t _{HOLD}			5	
38	t _{EN}	OE BYTE 0,1 ENABLE (Note 6)	DATA ₀₋₁₅		14
39	t _{DIS}				23
40	t _{EN}	OE SC DISABLE (Note 6)	SC ₀₋₆		16
41	t _{DIS}				21
42	t _{PW}	MINIMUM PULSE WIDTH: LE IN, LE OUT, LE DIAG		12	

- Notes: 1. C_L = 50 pF.
 2. Certain parameters are combinational propagation delay calculations.
 3. Data IN or LE IN to Correct Data Out measurement requires timing as shown in the Switching Waveforms.
 4. Setup and Hold times relative to Latch Enables (Latching up data).
 5. Setup and Hold times are not tested, but are guaranteed by characterization.
 6. Output disable tests specified with C_L = 5 pF and measured to 0.5 V change of output voltage level. Testing is performed at C_L = 50 pF and correlated to C_L = 5 pF.
 7. Not production tested. Guaranteed by characterization.

SWITCHING CHARACTERISTICS over **MILITARY** operating range (for APL Products, Group A, Subgroups 9, 10, 11 are tested unless otherwise noted) (Notes 1 and 2)

The following table specifies the guaranteed device performance over the Military operating range of -55°C to $+125^{\circ}\text{C}$ (case), with V_{CC} 4.5 to 5.5 V. All input switching is between 0 V and 3 V at 1 V/ns and measurements are made at 1.5 V. All outputs have maximum DC load. All units are in nanoseconds (ns).

No.	Parameter Symbol	Data Path Description		Am29C60A	
		From Input	To Output	Min.	Max.
1	t _{PD}	DATA ₀₋₁₅ (Note 3)	SC ₀₋₆		24
			DATA ₀₋₁₅		35
			ERROR		24
			MULT ERROR		27
2	t _{PD}	CB ₀₋₆ (CODE ID ₂₋₀ 000, 011)	SC ₀₋₆ (Note 7)		17
			DATA ₀₋₁₅		28
			ERROR		24
			MULT ERROR		27
3	t _{PD}	CB ₀₋₆ (CODE ID ₂₋₀ 010, 100, 101, 110, 111)	SC ₀₋₆ (Note 7)		19
			DATA ₀₋₁₅		28
			ERROR		24
			MULT ERROR		27
4	t _{PD}	GENERATE	SC ₀₋₆ (Note 7)		20
			DATA ₀₋₁₅		28
			ERROR (Note 7)		21
			MULT ERROR		25
5	t _{PD}	CORRECT (Not Internal Control Mode)	SC ₀₋₆		-
			DATA ₀₋₁₅		25
			ERROR		-
			MULT ERROR		-
6	t _{PD}	DIAG MODE (Not Internal Control Mode)	SC ₀₋₆ (Note 7)		25
			DATA ₀₋₁₅		28
			ERROR (Note 7)		21
			MULT ERROR (Note 7)		24
7	t _{PD}	PASS THRU (Not Internal Control Mode)	SC ₀₋₆		25
			DATA ₀₋₁₅		28
			ERROR		21
			MULT ERROR		24
8	t _{PD}	CODE ID ₂₋₀	SC ₀₋₆		26
			DATA ₀₋₁₅		31
			ERROR		28
			MULT ERROR		31

Notes: See notes at end of this section.

SWITCHING CHARACTERISTICS over MILITARY operating range (Cont'd.)

No.	Parameter Symbol	Data Path Description		Am29C60A	
		From Input	To Output	Min.	Max.
9	t _{PD}	LE IN (From latched to transparent)	SC ₀₋₆		26
			DATA ₀₋₁₅		37
			ERROR		26
			MULT ERROR		29
10	t _{PD}	LE OUT (From latched to transparent)	SC ₀₋₆		-
			DATA ₀₋₁₅		16
			ERROR		-
			MULT ERROR		-
11	t _{PD}	LE DIAG (From latched to transparent; Not Internal Control Mode)	SC ₀₋₆		24
			DATA ₀₋₁₅		37
			ERROR		26
			MULT ERROR		29
12	t _{PD}	Internal Control Mode: LE DIAG (From latched to transparent)	SC ₀₋₆		30
			DATA ₀₋₁₅		43
			ERROR		32
			MULT ERROR		35
13	t _{PD}	Internal Control Mode: DATA ₀₋₁₅ (Via Diagnostic latch)	SC ₀₋₆		30
			DATA ₀₋₁₅		43
			ERROR		32
			MULT ERROR		35
14	t _{SET}	DATA ₀₋₁₅ (Notes 4, 5)	LE IN		5
†15	t _{HOLD}				3
16	t _{SET}	CB ₀₋₆ (Notes 4, 5)			5
†17	t _{HOLD}				3
18	t _{SET}	DATA ₀₋₁₅ (Notes 4, 5)	LE OUT		27
†19	t _{HOLD}				2
20	t _{SET}	CB ₀₋₆ (CODE ID 000, 011)			24
†21	t _{HOLD}				0
22	t _{SET}	CB ₀₋₆ (Notes 4, 5) (CODE ID 010, 100, 101, 110, 111)			24
†23	t _{HOLD}				0
24	t _{SET}	GENERATE (Notes 4, 5)			29
†25	t _{HOLD}				0
26	t _{SET}	CORRECT (Notes 4, 5)			25
†27	t _{HOLD}				0
28	t _{SET}	DIAG MODE (Notes 4, 5)			25
†29	t _{HOLD}				0
30	t _{SET}	PASS THRU (Notes 4, 5)			25
†31	t _{HOLD}				0
32	t _{SET}	CODE ID ₂₋₀ (Notes 4, 5)			28
†33	t _{HOLD}				0

Notes: See notes at end of this section.

SWITCHING CHARACTERISTICS over **MILITARY** operating range (Cont'd.)

No.	Parameter Symbol	Data Path Description		Am29C60A	
		From Input	To Output	Min.	Max.
34	tSET	LE IN (Notes 4, 5)	LE OUT	30	
†35	tHOLD			0	
36	tSET	DATA ₀₋₁₅ (Notes 4, 5)	LE DIAG	5	
†37	tHOLD			3	
38	tEN	OE BYTE 0,1 ENABLE (Note 6)	DATA ₀₋₁₅		28
39	tDIS				25
40	tEN	OE SC DISABLE (Note 6)	SC ₀₋₆		28
41	tDIS				25
42	tpW	MINIMUM PULSE WIDTH: LE IN, LE OUT, LE DIAG		12	

Notes: 1. C_L = 50 pF.

2. Certain parameters are combinational propagation delay calculations.

3. Data IN or LE IN to Correct Data Out measurement requires timing as shown in the Switching Waveforms.

4. Setup and Hold times relative to Latch Enables (Latching up data).

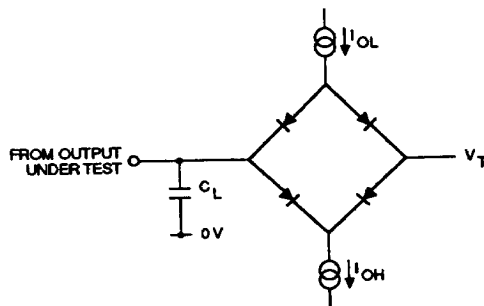
5. Setup and Hold times are not tested, but are guaranteed by characterization.

6. Output disable tests specified with C_L = 5 pF and measured to 0.5 V change of output voltage level. Testing is performed at C_L = 50 pF and correlated to C_L = 5 pF.

7. Not production tested. Guaranteed by characterization.

† = Not Included in Group A Tests.

SWITCHING TEST CIRCUIT



AF004810

- Notes:
1. $C_L = 50$ pF for all tests except output enable/disable (includes scope probe, wiring, and stray capacitance without device in test fixture).
 2. $C_L = 5$ pF for output enable/disable tests.
 3. $V_T = 1.5$ V.

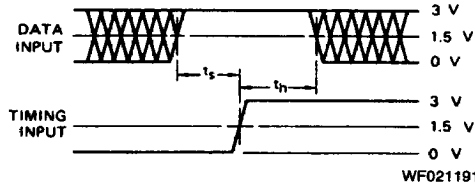
Notes on Testing

Incoming test procedures on this device should be carefully planned, taking into account the complexity and power levels of the part. The following notes may be useful.

1. Ensure the part is adequately decoupled at the test head. Large changes in V_{CC} current as the device switches may cause erroneous function failures due to V_{CC} changes.
2. Do not leave inputs floating during any tests, as they may start to oscillate at high frequency.
3. Do not attempt to perform threshold tests at high speed. Following an input transition, ground current may change by as much as 400 mA in 5-8 ns. Inductance in the ground cable may allow the ground pin at the device to rise by hundreds of millivolts momentarily.
4. Use extreme care in defining input levels for AC tests. Many inputs may be changed at once, so there will be significant noise at the device pins and they may not actually reach V_{IL} or V_{IH} until the noise has settled. AMD recommends using $V_{IL} \leq 0$ V and $V_{IH} \geq 3$ V for AC tests.
5. To simplify failure analysis, programs should be designed to perform DC, Function, and AC tests as three distinct groups of tests.
6. Changing the CODE ID inputs can cause loss of data in some of the Am29C60 internal latches. Specifically, the entire checkbit latch and bits 6 and 7 of the diagnostic latch are indeterminate after a change in CODE ID inputs.

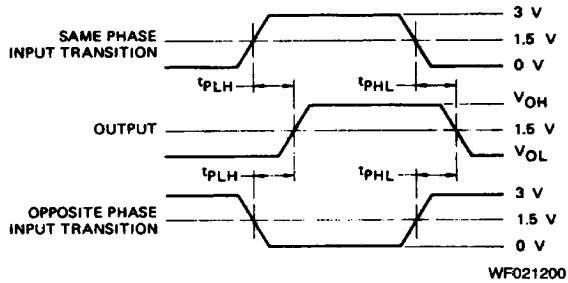
Logic simulations should store "x" (i.e., "don't care") in these bits after CODE ID change. Test programs should reload these registers before they are used.

SWITCHING TEST WAVEFORMS

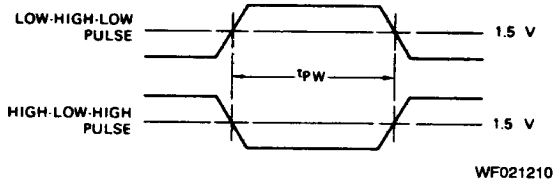


- Notes: 1. Diagram shown for HIGH data only. Output transition may be opposite sense.
 2. Cross-hatched area is don't care condition.

Setup and Hold Times



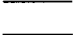



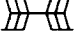
Propagation Delay



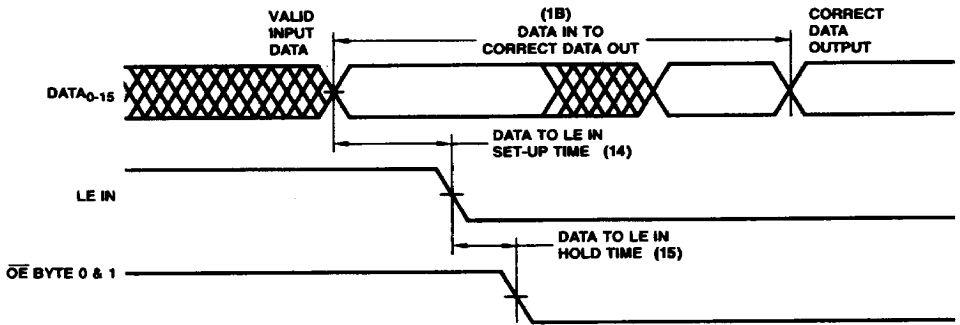
Pulse Width

SWITCHING WAVEFORMS

KEY TO SWITCHING WAVEFORMS

WAVEFORM	INPUTS	OUTPUTS
	MUST BE STEADY	WILL BE STEADY
	MAY CHANGE FROM H TO L	WILL BE CHANGING FROM H TO L
	MAY CHANGE FROM L TO H	WILL BE CHANGING FROM L TO H
	DON'T CARE; ANY CHANGE PERMITTED	CHANGING; STATE UNKNOWN
	DOES NOT APPLY	CENTER LINE IS HIGH IMPEDANCE "OFF" STATE

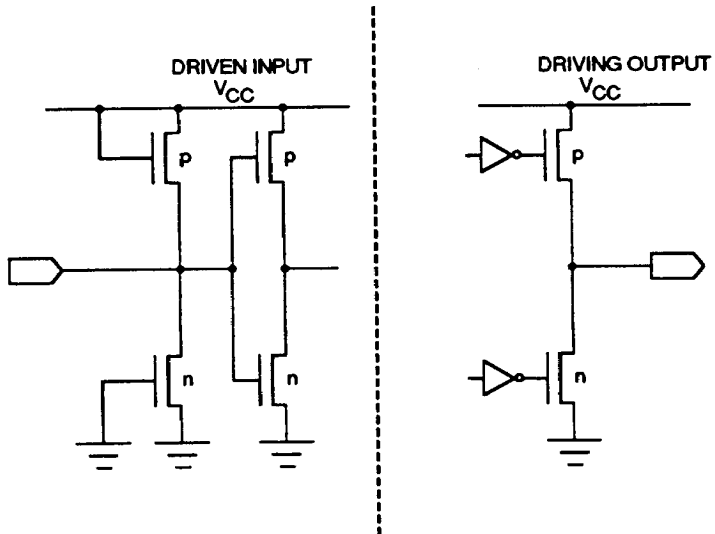
KS000010



WF001521

DATA IN/LE IN to Correct DATA OUT

EQUIVALENT INPUT/OUTPUT CIRCUIT DIAGRAMS



PF002830