

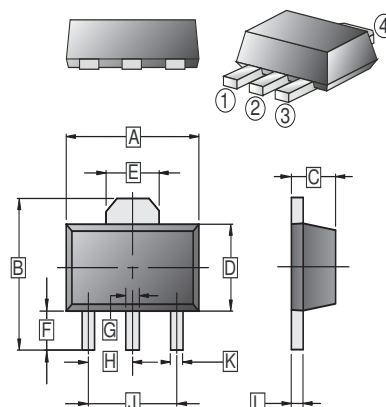
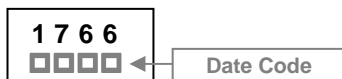
RoHS Compliant Product
A suffix of "-C" specifies halogen & lead-free

DESCRIPTION

The BCP1766 is suited for the output stage of 0.5W audio, voltage regulator, and relay driver.

SOT-89

MARKING



CLASSIFICATION OF h_{FE}

Product Rank	BCP1766-P	BCP1766-Q	BCP1766-R
Range	82~180	120~270	180~390

PACKAGE INFORMATION

Package	MPQ	LeaderSize
SOT-89	1K	7' inch

REF.	Millimeter		REF.	Millimeter	
	Min.	Max.		Min.	Max.
A	4.40	4.60	G	0.40	0.58
B	3.94	4.25	H	1.50	TYP
C	1.40	1.60	J	3.00	TYP
D	2.30	2.60	K	0.32	0.52
E	1.50	1.70	L	0.35	0.44
F	0.89	1.2			

ABSOLUTE MAXIMUM RATINGS ($T_A = 25^\circ\text{C}$ unless otherwise specified)

Parameter	Symbol	Ratings	Unit
Collector-Base Voltage	V_{CBO}	40	V
Collector-Emitter Voltage	V_{CEO}	32	V
Emitter-Base Voltage	V_{EBO}	5.0	V
Collector Current -Continuous	I_C	2.0	A
Total Power Dissipation	P_D	1.2	W
Junction & Storage temperature	T_J, T_{STG}	150, -55~150	$^\circ\text{C}$

ELECTRICAL CHARACTERISTICS ($T_A = 25^\circ\text{C}$ unless otherwise specified)

Parameter	Symbol	Min.	Typ.	Max.	Unit	Test Conditions
Collector-base breakdown voltage	$V_{(BR)CBO}$	40	-	-	V	$I_C = 50 \mu\text{A}, I_E = 0$
Collector-emitter breakdown voltage	$V_{(BR)CEO}$	32	-	-	V	$I_C = 1 \text{ mA}, I_B = 0$
Emitter-base breakdown voltage	$V_{(BR)EBO}$	5.0	-	-	V	$I_E = 50 \mu\text{A}$
Collector cut-off current	I_{CBO}	-	-	1	μA	$V_{CB} = 20 \text{ V}$
Emitter cut-off current	I_{EBO}	-	-	1	μA	$V_{EB} = 4 \text{ V}$
DC current gain	h_{FE}	82	-	390		$V_{CE} = 3 \text{ V}, I_C = 0.5 \text{ A}$
Collector-emitter saturation voltage	$V_{CE(sat)}$	-	0.5	0.8	V	$I_C = 2 \text{ A}, I_B = 0.2 \text{ A}$
Base-emitter saturation voltage	$V_{BE(sat)}$	-	-	2.0	V	$I_C = 2 \text{ A}, I_B = 0.2 \text{ A}$
Transition frequency	f_T	-	100	-	MHz	$V_{CE} = 5 \text{ V}, I_E = 50 \text{ mA}, f = 100 \text{ MHz}$
Output Capacitance	C_{OB}	-	30	-	pF	$V_{CB} = 10 \text{ V}, I_E = 0, f = 1 \text{ MHz}$

CHARACTERISTIC CURVES

