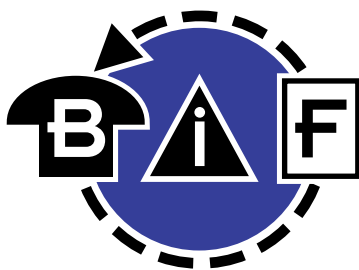


	Page
Selection Guide	
Fusible	2
Non-Fusible	3
Handles	4
Disconnect Switches	
Fusible (30-800A)	
Features	5-6
Components	7
Accessories	8
Non-Fusible (16-3150A)	
Features	9
Components	10-14
Accessories	15
Mounting Depths (Compact Disconnect)	16
Technical Data	
Fusible	17-18
Non-Fusible	19-20
Auxiliary Contact Timing Diagrams	21-27
Approximate Dimensions	
Fusible	28-29
Non-Fusible	30-34
Handles	35
Transfer & Bypass Switches	36-40



**Bussmann
Information Fax ~
314.527.1450**

**Bussmann
Worldwide Web ~
<http://www.bussmann.com>**

Get the latest, most up-to-date specification data on products listed in this catalog by calling **Bussmann Information Fax**.

BIF is a simple to use automated fax response system. No need to wait for normal business hours; BIF is available around the clock for your convenience. All you need is a touch-tone telephone and a fax machine to get specification data when you want it.

A **BIF** document number is indicated with each product in this catalog. To get a detailed specification sheet simply call **314-527-1450** and follow the prompts. In a matter of minutes, a data sheet will be faxed to you. It's that simple!

Bussmann®

Worldwide Circuit Protection Solutions

North America's leading supplier of fuses and fusible protection systems, Bussmann continues its 80-year history of blazing new trails of innovative technologies. Maker of the industry's first truly global product line, each item is backed by an efficient worldwide network of distribution, customer service and technical support. Bussmann products include the most extensive circuit protection solutions approved for use in a variety of major standards: UL, CSA, IEC. . . Not to mention both European (DIN, British Standard) and North American styled fuses for a wide range of applications: industrial motor protection, power conversion, medium voltage, power distribution, telecommunications network equipment, electronics, and automotive. Manufacturing operations in the U.S., Denmark, and the United Kingdom have earned ISO 9000 certification. Bussmann customers are assured of only the utmost quality across every product line. Knowledgeable. Responsive. Customer focused. Bussmann continues to set the standard for circuit protection solutions around the world.



This catalog is intended to present product data and provide technical information that will help the end user with design application. Bussmann reserves the right, without notice, to change design or construction of any products and to discontinue or limit distribution of any products. Bussmann also reserves the right to change or update, without notice, any technical information contained in this catalog. Once a product has been selected, it should be tested by the user in all possible applications.

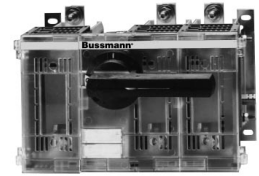
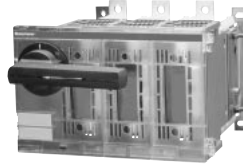


Bussmann®

Disconnect Switches



Fusible Selection Guide



Ampere Rating	30	60	100	200	400	600	800
Poles available	3, 4	2, 3, 4	2, 3, 4	2, 3, 4	2, 3, 4	2, 3, 4	2, 3, 4
3 Pole dimensions (inches) ^t							
Width	4.17	6.89	7.48	10.25	11.18	14.68	14.68
Height	3.94	4.22	5.60	9.87	12.18	14.30	14.30
Depth	4.22	4.76	5.12	7.28	7.79	8.86	8.86
Fuse type	J & CC	J	J & T	J & T	J & T	J & T	L
Line & load fuse isolation	X	X	X	X	X	X	X
Auxiliary contacts	X	X	X	X	X	X	X
Terminal shrouds	STD	STD	X	X	X	X	X
Fuse covers	STD	X	X	STD	STD	STD	STD
6 Pole kit	X	X	X	X	X	X	X
Transfer kit	X	X	X	X	X	X	X
Bypass kit	—	—	—	X	X	X	X
Mechanical interlock	X	—	—	X	X	X	X
NEMA 1, 3R, 12 handles							
Selector	X	—	—	—	—	—	—
Pistol	X	X	X	X	X	X	X
NEMA 4, 4X handles							
Pistol	X	X	X	X	X	X	X
Metallic	—	—	—	X	X	X	X
Flange-mounted operator	X	X	X	—	—	—	—
U.L. Listed (3 pole)	X	X	X	X	X	X	X
CSA Certified	X	X	X	X	X	X	X
IEC Ratings	X	X	X	X	X	X	X
CE Marked	X	X	X	X	X	X	X

^tIncludes terminals.
 X = Available
 — = Not available
 STD = Standard



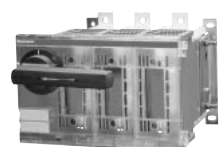
+



+



=



Basic Switch
(fusible)

Shaft

Handle

Complete Device

Basic switch catalog numbering system — fusible devices^{1, 2}

BDCF 30J6

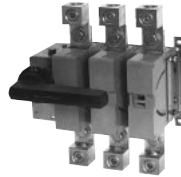
Fusible device
BDCF—30A
BDF — 60-100A
FD — 200-800A

Fuse type
J
 Amp rating
6

¹Shaft and handle must be ordered separately.

²Terminal lugs need to be ordered separately for 100A and above.

Non-Fusible Selection Guide



Ampere Rating	16	25	30	40	80	100	175	200	400	600	800	1200	1600	2000	3150	
Frame size	NF16	NF25	NF32	NF45	NF60	NF100	NF175	NF200A	NF400	NF600A	NF800A	NF1200	NF1600	NF2000	NF3150	
Poles available	3, 4	3, 4	3, 4	3, 4	3	3	2, 3, 4	2, 3, 4	2, 3, 4	2, 3, 4	2, 3, 4	2, 3, 4	2, 3, 4	2, 3, 4	2, 3, 4	
3 Pole dimensions (inches) [†]																
Width	1.4	1.4	1.4	2.1	2.08	3.06	7.86	8.64	10.23	11.90	14.29	14.29	18.42	18.42	18.42	
Height	2.7	2.7	2.7	3.6	3.31	3.88	8.36	8.36	11.82	11.77	19.09	19.09	25.02	25.02	25.02	
Depth	2.2	2.2	2.2	2.8	2.92	3.12	4.55	4.55	5.13	5.13	4.92	4.92	10.66	10.66	10.66	
Visible blades	—	—	—	—	—	—	X	X	X	X	X	X	X	X	X	
Auxiliary contacts	X	X	X	X	X	X	X	X	X	X	X	X	X	X	X	
6 Pole kit	X	X	X	X	X	X	X	X	X	X	X	X	—	—	—	
Transfer kit	X	X	X	X	X	X	X	X	X	X	X	X	—	—	—	
Bypass kit	X	X	X	X	X	X	X	X	X	X	X	X	—	—	—	
Mechanical interlock	—	—	—	—	—	—	X	X	X	X	X	X	X	X	X	
Terminal shrouds*	X	X	X	X	X	X	X	X	X	X	X	X	—	—	—	
NEMA 1, 3R & 12 handles																
Selector	X	X	X	X	X	X	—	—	—	—	—	—	—	—	—	
Pistol	X	X	X	X	X	X	X	X	X	X	X	X	—	—	—	
NEMA 4 & 4X handles																
Pistol	X	X	X	X	X	X	X	X	X	X	X	X	—	—	—	
Metallic	—	—	—	—	—	—	—	—	X	X	X	X	X	X	X	
Flange-mounted operator	—	—	—	—	—	X	—	—	—	—	—	—	—	—	—	
Door mounting kit	X	X	X	X	—	—	—	—	—	—	—	—	—	—	—	
Toggle operator	—	—	—	—	X	X	—	—	—	—	—	—	—	—	—	
U.L. Listed (3 pole)	X	X	X	X	X	X	X	X	X	X	X	X	X	X	—	
CSA Certified	X	X	X	X	X	X	X	X	X	X	X	X	X	X	—	
IEC Ratings	X	X	X	X	X	X	X	X	X	X	X	X	X	X	X	

[†]Includes terminals.

*Compact switches (16-40A) are touch safe without terminal shrouds, but shrouds can be installed for extra protection.

X = Available

— = Not available



Basic Switch

+



Shaft

+



Handle

=



Complete Device

Basic switch catalog numbering system — non-fusible devices^{1, 2}

CDNF 30

Non-fusible device

Frame size

CDNF - Compact Size (16-40A)

BDNF - Standard Size (80-3150A)

¹Shaft and handle must be ordered separately.

²Terminal lugs need to be ordered separately for 100A and above.

Handles - Fusible and Non-Fusible



Handles for Fusible Switches

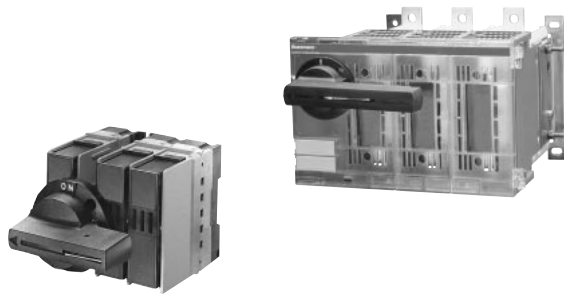
Style	NEMA Type	Color	Grip Length (Inches)	Marking	Padlock-able	Defeat-able	Catalog Number
30A							
Selector	1, 3R, 12	Blk	—	Off/On & O/I	Yes	No	CDH3S
Selector	1, 3R, 12	R/Y	—	Off/On & O/I	Yes	No	CDH4S
Selector	1, 3R, 12	Blk	—	Off/On & O/I	Yes	Yes	CDH5S
Selector	1, 3R, 12	R/Y	—	Off/On & O/I	Yes	Yes	CDH6S
Pistol	1, 12	Blk	3.15	Off/On	Yes	Yes	BDH47
Pistol	1, 12	R/Y	3.15	O/I	Yes	Yes	BDH48
Pistol	1, 3R, 12	Blk	2.36	Off/On	Yes	Yes	BDH99
Pistol	1, 3R, 12	R/Y	2.36	O/I	Yes	Yes	BDH100
Pistol	1, 3R, 4, 4X, 12	Blk	2.36	Off/On	Yes	No	BDH102
Pistol	1, 3R, 4, 4X, 12	R/Y	2.36	O/I	Yes	No	BDH103
60-100A							
Pistol	1, 12	Blk	3.15	Off/On	Yes	Yes	BDH20*
Pistol	1, 3R, 12	Blk	2.36	Off/On	Yes	Yes	BDH50*
Pistol	1, 3R, 4, 4X, 12	Blk	2.36	Off/On	Yes	No	BDH57*
200A							
Pistol	1, 3R, 12	Blk	4.72	Off/On	Yes	Yes	BDH53
200-800A							
Pistol	1, 3R, 12	R/Y	5.71	O/I	Yes	Yes	BDH11
Pistol	1, 3R, 12	Blk	5.71	Off/On	Yes	Yes	BDH16
Pistol	1, 3R, 4, 4X, 12	Blk	5.71	Off/On	Yes	No	BDH35
Pistol	1, 3R, 4, 4X, 12	R/Y	5.71	O/I	Yes	No	BDH36
Metallic	1, 3R, 4, 4X, 12	Blk	8.66	Off/On	Yes	No	BDH8

*Consult factory for red, yellow. "O/I".

Handles for Non-Fusible Switches

Style	NEMA Type	Color	Grip Length (Inches)	Marking	Padlock-able	Defeat-able	Catalog Number
16-100A							
Selector	1	Blk	—	Off/On & O/I	No	No	CDH1S
Selector	1	R/Y	—	Off/On & O/I	No	No	CDH2S
Selector	1, 3R, 12	Blk	—	Off/On & O/I	Yes	No	CDH3S
Selector	1, 3R, 12	R/Y	—	Off/On & O/I	Yes	No	CDH4S
Selector	1, 3R, 12	Blk	—	Off/On & O/I	Yes	Yes	CDH5S
Selector	1, 3R, 12	R/Y	—	Off/On & O/I	Yes	Yes	CDH6S
Pistol	1, 12	Blk	3.15	Off/On	Yes	Yes	BDH47
Pistol	1, 12	R/Y	3.15	O/I	Yes	Yes	BDH48
Pistol	1, 3R, 12	Blk	2.36	Off/On	Yes	Yes	BDH99
Pistol	1, 3R, 12	R/Y	2.36	O/I	Yes	Yes	BDH100
Pistol	1, 3R, 4, 4X, 12	Blk	2.36	Off/On	Yes	No	BDH102
Pistol	1, 3R, 4, 4X, 12	R/Y	2.36	O/I	Yes	No	BDH103
175-200A							
Pistol	1, 3R, 12	Blk	3.15	Off/On	Yes	Yes	BDH64
Pistol	1, 3R, 4, 4X, 12	Blk	3.15	Off/On	Yes	No	BDH67
400A							
Pistol	1, 3R, 12	Blk	4.72	Off/On	Yes	Yes	BDH53
400-1200A							
Pistol	1, 3R, 12	Blk	5.71	Off/On	Yes	Yes	BDH16
Pistol	1, 3R, 4, 4X, 12	Blk	5.71	Off/On	Yes	No	BDH35
Pistol	1, 3R, 12	R/Y	5.71	O/I	Yes	Yes	BDH11
Pistol	1, 3R, 4, 4X, 12	R/Y	5.71	O/I	Yes	No	BDH36
400-3150A							
Metallic	1, 3R, 4, 4X, 12	Blk	8.66	Off/On	Yes	No	BDH8

Fusible Disconnect Switches



30-800 Amps

Features:

- Compact, space saving design
- Complete line of fusible disconnect switches 30A through 800A
- J fusible switches (30-600A)
- T fusible switches (100-600A)
- L fusible switch (800A)
- Rotary and variable-depth handle mechanisms for through-the-door operation
- NEMA rated handles 1, 3R, 4, 4X & 12
- Handles are lockable with three padlocks
- NEMA 1, 3R, 4 & 12 flange-mounted operators (30-100A)
- Type 1, 3R, 4 & 12 flange-mounted operators include interlock defeater for emergency maintenance purpose
- NEMA 1, 3R & 12 handles are defeatable in "ON" position
- 30-800A double break contacts
- Auxiliary contacts
- Terminal shrouds and fuse covers available for "touch-safe" protection

Agency Approvals:

U.L. Listed & CSA Certified (2 Pole & 3 Pole):

U.L. 98 (CSA 22.2 No. 4): Suitable for use on service equipment, panel boards, switchboards, industrial control equipment, motor control centers, etc. (30-800A)

U.L. File E155129 (30-100A), E155130 (200-800A)

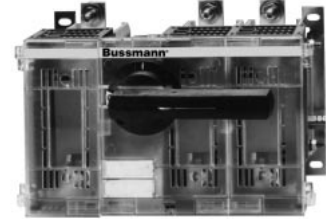
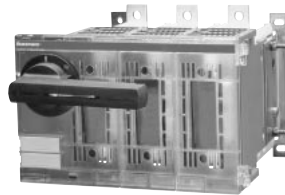
CSA File 58077M9

IEC 947-1

More about the Compact 30A:

- Compact size (2" narrower than present 30A fusible switch)
- J & CC class fuse clips
- DIN rail mounting
- Fuseholder cannot be removed under load
- Finger-protected fuse holder
- Rotary and variable depth handle mechanism for through-the-door operation
- NEMA rated handles 1, 3R, 4, 4X & 12
- Test position handle permits the operation of the auxiliary contacts without main contacts being closed. The door can be opened in handle test position
- Auxiliary contacts (up to eight auxiliary contacts, including two auxiliary contacts/test contacts which are mounted in the body of the switch)

Fusible Disconnect Switches – 30-800A, 600V



Rotary Type Switches (30-800 Amps, 600V)*

Amp Rating	Fuse Type	Maximum Horsepower Rating					Certification/ Listing	Catalog* Number	BIF Document
		200V	208V	240V	480V	600V			
3 pole									
30	CC	5	7.5	7.5	15	20	CSA, U.L.	BDCF30CC6	1120
30	J	5	7.5	7.5	15	20	CSA, U.L.	BDCF30J6	
60A	J ¹	15	15	15	30	40	CSA, U.L.	BDF60J6	1121
100A	J ¹	25	25	30	60	60	CSA, U.L.	BDF100JT6	
200	J ¹	50	50	60	125	150	CSA, U.L.	FD200J3	1122
400	J ¹	100	125	125	250	350	CSA, U.L.	FD400J3	
600	J ¹	150	150	200	400	500	CSA, U.L.	FD600J3	
800	L	200	200	250	500	600	CSA, U.L.	FD800L3	

Other pole configurations

2 pole									
60	J ¹	15	15	15	30	40	CSA, U.L.	BDF60J62	—
100	J ¹	25	25	30	40	50	CSA, U.L.	BDF100JT62	
200	J ¹	50	50	60	125	150	CSA, U.L.	FD200J2	
400	J ¹	100	125	125	250	350	CSA, U.L.	FD400J2	
600	J ¹	150	150	200	400	500	CSA, U.L.	FD600J2	
800	L	200	200	250	500	600	CSA, U.L.	FD800L2	
4 pole									
30	J	5	7.5	7.5	15	20	IEC	BDCF30J64	—
30	CC	5	7.5	7.5	15	20	IEC	BDCF30CC64	
60	J ¹	15	15	15	30	40	IEC	BDF60J64	
100	J ¹	25	25	30	40	50	IEC	BDF100JT64	
200	J ¹	50	50	60	125	150	IEC	FD200J4	
400	J ¹	100	125	125	250	350	IEC	FD400J4	
600	J ¹	150	150	200	400	500	IEC	FD600J4	
800	L	200	200	250	500	600	IEC	FD800L4	

*Catalog number includes switch only. Order handle, shaft and terminal lugs from tables on next page.

¹Class J fuses are standard. If a 600V Class T fuse is desired, select the necessary fuse adaptor from the Class T Fuse Adaptor Kit chart below.

U.L. Listed & CSA Certified:

U.L. 98 (CSA 22.2 No. 4): Suitable for use on service equipment, panel boards, switchboards, industrial control equipment, motor control centers, etc.

(30-800A), U.L. File E155129; (30-100A), E155130; (200-800A), Guide WPZX; CSA File 58077M9; IEC 947-1.

Description

Bussmann fusible disconnect switches allow the user to select the appropriate fuse which best suits the tripping characteristic for the application. The various classes of fuses are described below.

Changing the fuse is convenient as the fuse links are isolated on both the line and load side of the fuse.

Fuse Classes

Class J (LPS)

This fuse provides both time-delay for motor loads and a high degree of current-limitation. Suitable for the protection of service entrance equipment, feeder circuits, and branch circuits serving both motor and non-motor loads.

Class T (JJS)

Suitable for the protection of service entrance equipment, feeder circuits, and branch circuits serving both motor and non-motor loads.

Class CC (LP-CC)

The Class CC fuse was developed specifically for a growing need in the industry: a compact, space saving branch circuit fuse for motor circuits. CC fuses can be used for protection of motors from ¼ to 10HP. A major feature of the CC fuse is that they are current-limiting.

This provides the benefit of protecting downstream components against the damaging thermal and magnetic effects of short-circuit currents. Class CC fuses are branch circuit rated and can be used on branch circuits of electrical distribution systems.

Class L (KRP-C)

This 100% rated fuse is a high interrupting rating, current-limiting device for the protection of service entrance equipment, feeder circuits and circuit breakers. It may be applied at continuous currents up to its ampere rating. The 4 second minimum time-delay provided allows this fuse to pass normal surges and to coordinate with ground fault relays.

Class T Fuse Adaptor Kits for 600V Class J Switches

Amp Rating	Catalog Number	Amp Rating	Catalog Number
30A, 600V	N/A	200A, 600V	BDTA2
60A, 600V	Contact Factory	400A, 600V	BDTA4
100A, 600V	BDTA1	600A, 600V	BDTA6

CE logo denotes compliance with European Union Low Voltage Directive (50-1000 Vac, 75-1500 Vdc). Refer to BIF document #8002 or contact Bussmann Application Engineering at 314-527-1270 for more information.

Fusible Disconnect Switch Components



Handles – 30A Fusible

Style	NEMA Type	Color	Grip Length (Inches)	Marking	Padlockable	Defeatable	Catalog Number
30 Amps (□0.20" x 0.20")							
Selector	1, 3R, 12	Blk	—	O/I and Off/On	Yes	No	CDH3S
Selector	1, 3R, 12	Red/Yel	—	O/I and Off/On	Yes	No	CDH4S
Selector	1, 3R, 12	Blk	—	O/I and Off/On	Yes	Yes	CDH5S
Selector	1, 3R, 12	Red/Yel	—	O/I and Off/On	Yes	Yes	CDH6S
Pistol	1, 12	Blk	3.15	Off/On	Yes	Yes	BDH47
Pistol	1, 12	Red/Yel	3.15	O/I	Yes	Yes	BDH48
Pistol	1, 3R, 12	Blk	2.36	Off/On	Yes	Yes	BDH99
Pistol	1, 3R, 12	Red/Yel	2.36	O/I	Yes	Yes	BDH100
Pistol	1, 3R, 4, 4X, 12	Blk	2.36	Off/On	Yes	No	BDH102
Pistol	1, 3R, 4, 4X, 12	Red/Yel	2.36	O/I	Yes	No	BDH103
Pistol*	1	Blk	2.36	Off/On/Test	Yes	No	BDH4
Pistol*	1	Blk	2.00	O/I/Test	Yes	No	BDH79*

*Mounts directly to switch. No shaft required.

Handles – 60-800A Fusible

NEMA Style	Type	Color	Grip Length (Inches)	Marking	Padlockable	Defeatable	Catalog Number
60-100 Amps (□0.24" x 0.24")							
Pistol	1, 12	Blk	3.15	Off/On	Yes	Yes	BDH20
Pistol	1, 3R, 12	Blk	2.36	Off/On	Yes	Yes	BDH50
Pistol	1, 3R, 4X, 12	Blk	2.36	Off/On	Yes	No	BDH57
200 Amps (□0.47" x 0.47")							
Pistol	1, 3R, 12	Blk	4.72	Off/On	Yes	Yes	BDH53
200-800 Amps (□0.47" x 0.47")							
Pistol	1, 3R, 12	Blk	5.71	Off/On	Yes	Yes	BDH16
Pistol	1, 3R, 4, 4X, 12	Blk	5.71	Off/On	Yes	No	BDH35
Pistol	1, 3R, 12	R/Y	5.71	O/I	Yes	Yes	BDH11
Pistol	1, 3R, 4, 4X, 12	R/Y	5.71	O/I	Yes	No	BDH36
Metallic	1, 3R, 4, 4X, 12	Blk	8.66	Off/On	Yes	No	BDH8

Terminal Lug Kits – Kit Includes 6 Lugs

Amp Rating	Wire Size	Wire Type	Kit Catalog Number
30 & 60	Lugs come standard with switch		
100	#14 - 2/0	Cu/Al	BDTL24
200	#6 - 300 kcmil	Cu/Al	BDTL25
400	#2 - 600 kcmil	Cu/Al	BDTL26
600 & 800	(2) #2 - 600 kcmil	Cu/Al	BDTL27

CE logo denotes compliance with European Union Low Voltage Directive (50-1000 Vac, 75-1500 Vdc). Refer to BIF document #8002 or contact Bussmann Application Engineering at 314-527-1270 for more information.

Shafts

Mounting Depth**	Shaft Length (inches)	Catalog Number
30 Amps (□0.20" x 0.20") Selector		
5.5 - 5.7	3.3	CDS85S
5.5 - 6.5	4.1	CDS105S
5.5 - 7.1	4.7	CDS120S
5.5 - 7.5	5.1	CDS130S
6.3 - 9.4	7.1	CDS180S
9.1 - 12.2	9.8	CDS250S
12.2 - 15.4	13.0	CDS330S
30 Amps (□0.20" x 0.20") Pistol		
6.89 - 7.48	5.91	BDS150P
7.67 - 8.27	6.69	BDS170
11.42 - 12.00	10.43	BDS265
16.72 - 17.32	15.75	BDS400
60-100 Amps (□0.24" x 0.24")		
5.50 - 8.50	5.90	BDS150
8.00 - 11.00	8.26	BDS210
11.00 - 14.00	11.41	BDS290
13.75 - 16.75	14.17	BDS360
16.54 - 19.69	16.93	BDS430
200-400 Amps (□0.47" x 0.47")		
7.87 - 12.20	8.66	BDS220
9.05 - 13.38	9.84	BDS250
10.22 - 14.54	11.00	BDS280
12.0 - 16.32	12.78	BDS325
14.78 - 19.10	15.56	BDS395
17.53 - 21.85	18.31	BDS465
20.28 - 24.62	21.06	BDS535
600-800 Amps (□0.47" x 0.47")		
10.04 - 12.83	9.84	BDS250
11.20 - 14.00	11.00	BDS280
12.98 - 15.77	12.78	BDS325
15.76 - 18.55	15.56	BDS395
18.51 - 21.30	18.31	BDS465
21.06 - 24.08	21.06	BDS535

**Mounting depth is the distance from the outside of door to the disconnect switch mounting plate. Shaft can be cut to desired length.

Fusible Disconnect Switch Accessories & Flange-Mounted Operators



Fuse Covers and Terminal Shrouds (line-side)

Amp Rating	Switch Type		Fuse Covers Catalog Number	Terminal Shrouds Catalog Number
	Fuse Class	Voltage		
60	J	600V	BDFC60J	Not Required
100	J or T	600V	BDFC100	BDTSF1
200	J or T	600V	BDFC200*	BDTSF2
400	J	600V	BDFC400*	BDTSF4
600, 800	J or L	600V	BDFC600*	BDTSF6

*3-pole 30, 200-800 amp fusible switches come with the fuse cover as standard. Terminal shrouds can also be used on the load side.

Auxiliary Contacts – 30 Amps

Type of Auxiliary Contact	Amp Rating	Voltage	Catalog Number
Form C	6	250	BDAUX157
Aux. Contact Bracket	NEMA, A600, P600		BDAUXB
Aux. Contact (NO)			BDAUXCB10
Aux. Contact (NC)			BDAUXCB01

Auxiliary Contacts – 60-800 Amps

Switch Amp Rating	Aux. Contact Amp Rating	Voltage	1 NO & 1 NC Catalog Number	2 NO & 2 NC Catalog Number
60	6	250	BDAUX7	BDAUX8
100	6	250	BDAUX7	BDAUX8
200-800	10	600	BDAUX1	BDAUX2

Conversion Kits for Combination Switches**

Description	30 Amp Catalog Number	60-100 Amp Catalog Number	200-800 Amp Catalog Number
6 Pole	BDZW5	BDZW2	BDZW9
Transfer (2 switches with center OFF position)	BDZW30	BDZW1	BDZW12 ¹
Bypass (3 switches with center OFF position)	—	—	BDZW13
Mechanical Interlock (Mechanical interlock of two switches)	BDZW4	—	BDZW3 ² BDZW14 ² BDZW15 ²
Shaft Extension Coupler	—	—	BDZW95

¹Includes metallic handle.

²Distance between center line of shafts: BDZW3 = 11.81"; BDZW14 = 9.84"; BDZW15 = 19.68".

**See page 14 for descriptions of conversion kits.

Flange-Operated Switches[†]

Amp Rating	Switch & Mechanism Catalog Number
30	BDFLCF30J6-F
60	BDFLF60J6-F
100	BDFLF100J6-F

[†]Shaft and handle must be ordered separately.

Flange Switch Handles

NEMA Rating	Handle
4, 4X 12	BDFNHS4 BDFNHS12

Flange Switch Shafts

Length (inches)	Shaft Catalog Number
12	BDFHS12
17	BDFHS17
22.5	BDFHS22

Door Hardware – NEMA 12

Item	Catalog Number
Safety door latch, 2 point with 6" handle	BDDHK
Roller for 3 point latch, add to FH-DHK	BD3RL

CE CE logo denotes compliance with European Union Low Voltage Directive (50-1000 Vac, 75-1500 Vdc). Refer to BIF document #8002 or contact Bussmann Application Engineering at 314-527-1270 for more information.

Non-Fusible Disconnect Switches



16-3150 Amps

Features:

- Compact, heavy-duty, space saving design
- Complete line of non-fusible disconnect switches 16A through 3150A
- Convenient through-the-door operation
- Rotary and variable-depth handle mechanisms for through-the-door operation
- NEMA rated handles 1, 3R, 4, 4X & 12
- NEMA 1, 3R & 12 handles are defeatable in "ON" position
- Handles available with interlock defeater for emergency maintenance purpose
- Handles are lockable with three padlocks
- DIN rail mountable switches (16-80A), base and door mountable switches
- Snap-on auxiliary contacts, power poles and additional poles
- Terminal shrouds available for "touch-safe" protection

Agency Approvals:

U.L. 508 (CSA 22.2 No. 14): Suitable for use in equipment, machinery, or industrial control panels as a motor controller; and are provided with horsepower and ampere ratings.

(16-175A, 3 Pole), (16-40A, 4 Pole)

U.L. 98 (CSA 22.2 No. 4): Suitable for use on service equipment, panel boards, switchboards, industrial control equipment, motor control centers, etc. (200-2000A, 2 & 3 Pole), (200-600A, 4 Pole)

U.L. File 155129 (16-175A)

U.L. File 155130 (200-2000A)

CSA File 58077M9

IEC 947-1, 3

Compact Disconnect Switches – 16-40A, 600V

Select one of each



Switch

+



Shaft²

+



Handle

Non-Fusible, 16-40A, 600V

Base & DIN Rail Mounted Switches (16-40A, 600V) 3 pole¹



CDNF32



CDNF45

Amp Rating	Maximum Horsepower Rating						Terminal Lugs		Certification/ Listing	Catalog Number
	Single Phase		Three Phase				Wire Size	Wire Type		
	120V	240V	200V	240V	480V	600V				
16	½	1.5	2	2	7.5	7.5	#18-#8	Cu	CSA/U.L.	CDNF16
25	¾	2	3	3	7.5	10	#18-#8	Cu	CSA/U.L.	CDNF25
30	1	3	5	5	10	15	#18-#8	Cu	CSA/U.L.	CDNF32
40	2	5	10	10	20	20	#14-#4	Cu	CSA/U.L.	CDNF45



CDH1S



CDH6S

Selector Handles

NEMA Ratings	Color	Padlockable	Defeatable	Catalog Number
All marked both O/I and OFF/ON				
1	Blk			CDH1S
1	R/Y			CDH2S
1, 3R, 12	Blk	•		CDH3S
1, 3R, 12	R/Y	•		CDH4S
1, 3R, 12	Blk	•	•	CDH5S
1, 3R, 12	R/Y	•	•	CDH6S

Shafts for use with CDH Selector Handles² (□ 5 x 5mm)

Length ³ inches/mm	Catalog Number
3.3/85	CDS85S
4.1/105	CDS105S
4.7/120	CDS120S
5.1/130	CDS130S
7.1/180	CDS180S
9.8/250	CDS250S
13.0/330	CDS330S



BDH47

Pistol Handles

NEMA Ratings	Color	Marking	Length mm	Padlockable	Defeatable	Catalog Number
1, 12	Blk	Off/On	80	•	•	BDH47
1, 12	R/Y	O/I	80	•	•	BDH48
1, 3R, 12	Blk	Off/On	60	•	•	BDH99
1, 3R, 12	R/Y	O/I	60	•	•	BDH100
1, 3R, 4, 4X, 12	Blk	Off/On	60	•		BDH102
1, 3R, 4, 4X, 12	R/Y	O/I	60	•		BDH103

Shafts for use with Pistol Handles² (□ 5 x 5mm)

Length ³ inches/mm	Catalog Number
5.9/150	CDS48P
6.7/170	CDS67P
10.4/265	CDS49P
15.8/400	CDS50P
19.7/500	CDS99P

Door Mounted Switches (16-30A, 600V) 3 pole¹

Amp Rating	Maximum Horsepower Rating						Terminal Lugs		Catalog Number
	Single Phase		Three Phase				Wire Size	Wire Type	
	120V	240V	200V	240V	480V	600V			
16	½	1.5	2	2	7.5	7.5	#18-#8	Cu	CDNF16D
25	¾	2	3	3	7.5	10	#18-#8	Cu	CDNF25D
30	1	3	5	5	10	15	#18-#8	Cu	CDNF32D

Shafts not required with door mounted switches.

¹A snap-on fourth pole may be added. See Accessories.

²Door mounted switches do not require shafts.

³For mounting depth please see page 16.

Selector Handles for Door Mounted Switches

NEMA Ratings	Color	Padlockable	Defeatable	Catalog Number
All marked both O/I and OFF/ON				
1	Blk			CDH7S
1	R/Y			CDH8S
1, 3R, 12	Blk	•		CDH9S
1, 3R, 12	R/Y	•		CDH10S

CE CE logo denotes compliance with European Union Low Voltage Directive (50-1000 Vac, 75-1500 Vdc). Refer to BIF document #8002 or contact Bussmann Application Engineering at 314-527-1270 for more information.

Non-Fusible Disconnect Switches – 80-100A, 600V



Rotary Type Switches (80-100 Amps, 600V)

Amp Rating	Maximum Horsepower Rating								Wire Size For Terminal Lugs		Certification/ Listing	3 Pole Catalog Number
	Single Phase			Three Phase								
	120V	200V	240V	200V	208V	240V	480V	600V	#14 - #1	Cu		
80	3	7.5	10	15	15	20	40	50	#14 - #1	Cu	CSA, U.L.	BDNF60
100	5	10	15	20	20	25	50	60	#6 - 2/0	Cu	CSA, U.L.	BDNF100

Catalog number & price includes switch and lugs only. Order handles and shafts from tables below.

Handles

80-100 Amps (□0.20" x 0.20")

Style	NEMA Type	Color	Grip Length (Inches)	Marking	Padlockable	Defeatable	Catalog Number
Selector	1, 3R, 12	Blk	—	O/I and Off/On	Yes	No	CDH3S
Selector	1, 3R, 12	Red/Yel	—	O/I and Off/On	Yes	No	CDH4S
Selector	1, 3R, 12	Blk	—	O/I and Off/On	Yes	Yes	CDH5S
Selector	1, 3R, 12	Red/Yel	—	O/I and Off/On	Yes	Yes	CDH6S
Pistol	1, 12	Blk	3.15	Off/On	Yes	Yes	BDH47
Pistol	1, 12	Red/Yel	3.15	O/I	Yes	Yes	BDH48
Pistol	1, 3R, 12	Blk	2.36	Off/On	Yes	Yes	BDH99
Pistol	1, 3R, 12	Red/Yel	2.36	O/I	Yes	Yes	BDH100
Pistol	1, 3R, 4, 4X, 12	Blk	2.36	Off/On	Yes	No	BDH102
Pistol	1, 3R, 4, 4X, 12	Red/Yel	2.36	O/I	Yes	No	BDH103

Rotary Handles – Mounted Directly to Switch†

Switch Type	Poles	NEMA Type	Color	Marking	Padlockable	Defeatable	Catalog Number
BDNF60	3	1	Blk	O/I	Yes	No	BDH127

†No shaft required

Toggle Type Switch (80-100 Amps, 600V)

Amp Rating	Maximum Horsepower Rating								Wire Size For Terminal Lugs		Certification/ Listing	3 Pole Catalog Number
	Single Phase			Three Phase								
	120V	200V	240V	200V	208V	240V	480V	600V	#14 - #1	Cu		
80	3	7.5	10	15	15	20	40	50	#14 - #1	Cu	CSA, U.L.	BDNF60T
100	5	10	15	20	20	25	50	60	#6 - 2/0	Cu	CSA, U.L.	BDNF100T

Extended Shafts (□0.20" x 0.20")

For Handle Type	Mounting Depth*	Shaft Length	Catalog Number
NEMA 1, 3R & 12 Selector	4.61 - 5.39	3.3	CDS85S
	5.39 - 6.18	4.1	CDS105S
	5.98 - 6.77	4.7	CDS120S
	6.38 - 7.17	5.1	CDS130S
	8.35 - 9.13	7.1	CDS180S
	11.10 - 11.89	9.8	CDS250S
NEMA 1, 3R, 4, 4X & 12 Pistol	14.25 - 15.04	13	CDS350S
	6.89 - 7.48	5.91	BDS150P
	7.67 - 8.27	6.69	BDS170
	11.42 - 12.00	10.43	BDS265
	16.72 - 17.32	15.75	BDS400

*Mounting depth is the distance from the outside of the door to the disconnect switch mounting plate. Shaft can be cut to desired length.

Agency Approvals: 40-175 Amps: U.L. 508, File 155129, CSA 22.2 No. 14; 200-800 Amps: U.L. 98, File 155130, CSA 22.2 No. 4, Guide WPZX: CSA File 58077M9; IEC 947-1

Accessories – 80-100 Amps

Auxiliary Contacts – 80A

Switch Amp Rating	Auxiliary Contact	Amp Rating	Voltage	Catalog Number
80	Aux. contact base	—	—	BDAUXB80
80	Aux. contact (NO)	NEMA A600, P600	—	BDAUXCA10
80	Aux. contact (NC)	NEMA A600, P600	—	BDAUXCA01

Auxiliary Contacts – 80-100A

Switch Amp Rating	Aux. Contact Amp Rating	Voltage	1 NO & 1 NC Catalog Number	2 NO & 2 NC Catalog Number
80	6	250	BDAUX79	BDAUX80
100	6	250	BDAUX52	BDAUX53

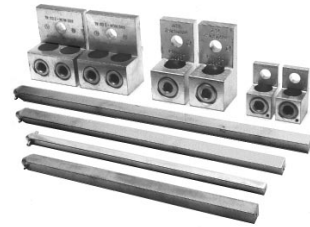
Terminal Shrouds (Line side)

Amp Rating	Catalog Number
100	BDS1

Note: Terminal shrouds can also be used on the load side.



Non-Fusible Disconnect Switches – 175-600A, 600V



Rotary Type Switches (175-600 Amps, 600V)

Amp Rating	Maximum Horsepower Rating					Certification/ Listing	Catalog Number
	200V	208V	240V	480V	600V		
3 Pole							
175	30	30	40	75	100	CSA, U.L.	BDNF175A
200	60	60	75	150	200	CSA, U.L.	BDNF200A
400	100	100	125	250	350	CSA, U.L.	BDNF400
600	150	150	200	400	500	CSA, U.L.	BDNF600A
2 Pole							
175	30	30	40	75	100	CSA, U.L.	BDNF175A2
200	60	60	75	150	200	CSA, U.L.	BDNF200A2
400	100	100	125	250	350	CSA, U.L.	BDNF4002
600	150	150	200	400	500	CSA, U.L.	BDNF600A2
4 Pole							
175	30	30	40	75	100	IEC	BDNF175A4
200	60	60	75	150	200	CSA, U.L.	BDNF200A4
400	100	100	125	250	350	CSA, U.L.	BDNF4004
600	150	150	200	400	500	CSA, U.L.	BDNF600A4

Catalog number & price includes switch only. Order handles, shafts and terminal lugs from tables below.

Handles

Style	NEMA Type	Color	Length (Inches)	Marking	Padlock-able	Defeat-able	Catalog Number
175-200 Amps (□0.31" x 0.31")							
Pistol	1, 12	Blk	3.15	Off/On	Yes	Yes	BDH64
Pistol	1, 3R, 4, 4X, 12	Blk	3.15	Off/On	Yes	No	BDH67
400 Amps (□0.47" x 0.47")							
Pistol	1, 3R, 12	Blk	4.72	Off/On	Yes	Yes	BDH53
400-600 Amps (□0.47" x 0.47")							
Pistol	1, 3R, 12	Blk	5.71	Off/On	Yes	Yes	BDH16
Pistol	1, 3R, 4, 4X, 12	Blk	5.71	Off/On	Yes	No	BDH35
Pistol	1, 3R, 12	R/Y	5.71	O/I	Yes	Yes	BDH11
Pistol	1, 3R, 4, 4X, 12	R/Y	5.71	O/I	Yes	No	BDH36
Metallic	1, 3R, 4, 4X, 12	Blk	8.66	Off/On	Yes	No	BDH8

Terminal Lug Kits – Kit Includes 6 Lugs

Amp Rating	Wire Size	Wire Type	Kit Catalog Number
175 & 200	#6 - 300 kcmil	Cu/Al	BDTL25
400	#2 - 600 kcmil	Cu/Al	BDTL26
600	(2) #2 - 600 kcmil	Cu/Al	BDTL27

Agency Approvals:

40-175 Amps: U.L. 508, File 155129, CSA 22.2 No. 14; 200-800 Amps: U.L. 98, File 155130, CSA 22.2 No. 4
CSA File 58077M9; IEC 947-1

Accessories – 175-600A

Auxiliary Contacts

Switch Amp Rating	Aux. Contact Amp Rating	Voltage	1 NO & 1 NC Catalog Number	2 NO & 2 NC Catalog Number
175-200	10	600	BDAUX12	BDAUX13
400-600	10	600	BDAUX1	BDAUX2

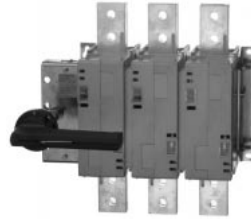
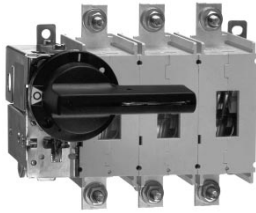
Terminal Shrouds (Line side)

Amp Rating	Catalog Number
175 & 200	BDTS2
400	BDTS4
600	BDTS6A

Note: Terminal shrouds can also be used on the load side.

CE CE logo denotes compliance with European Union Low Voltage Directive (50-1000 Vac, 75-1500 Vdc). Refer to BIF document #8002 or contact Bussmann Application Engineering at 314-527-1270 for more information.

Non-Fusible Disconnect Switches – 800-3150A, 600V



Switches (800-3150 Amps, 600V)

Amp Rating	Maximum Horsepower Rating					Certification/ Listing	Catalog Number
	200V	208V	240V	480V	600V		
3 pole							
800	200	200	250	500	600	CSA/U.L.	BDNF800A
1200	—	—	—	—	—	CSA/U.L.	BDNF1200
1600	—	—	—	—	—	CSA/U.L.	BDNF1600
2000	—	—	—	—	—	CSA/U.L.	BDNF2000
3150	—	—	—	—	—	IEC	BDNF31503
Other pole configurations							
2 pole							
800	200	200	250	500	600	CSA/U.L.	BDNF800A2
1200	—	—	—	—	—	CSA/U.L.	BDNF12002
1600	—	—	—	—	—	CSA/U.L.	BDNF16002
2000	—	—	—	—	—	CSA/U.L.	BDNF20002
3150	—	—	—	—	—	IEC	BDNF31502
4 pole							
800	200	200	250	500	600	IEC	BDNF800A4
1200	—	—	—	—	—	IEC	BDNF12004
1600	—	—	—	—	—	IEC	BDNF16004
2000	—	—	—	—	—	IEC	BDNF20004
3150	—	—	—	—	—	IEC	BDNF31504



Handles – all padlockable

NEMA	Color	Length	Marking	Defeat-able	Catalog Number
800-3150 Amps (□0.47" x 0.47")					
Pistol					
1, 3R, 12	Blk	5.71	Off/On	•	BDH16
1, 3R, 12	R/Y	5.71	O/I		BDH11
1, 3R, 4, 4X, 12	Blk	5.71	Off/On		BDH35
1, 3R, 4, 4X, 12	R/Y	5.71	O/I		BDH36
Metallic					
1, 3R, 4, 4X, 12	Blk	8.66	Off/On		BDH8

Terminal Lug Kits – Kit Includes 6 Lugs

Amp Rating	Wire Size	Wire Type	Kit Catalog Number
800	(2) #2 - 600 kcmil	Cu/Al	BDTL30
1200	(4) #2 - 600 kcmil	Cu/Al	BDTL28
1600	(4) #2 - 600 kcmil	Cu/Al	BDTL28
2000	(8) #2 - 600 kcmil	Cu/Al	BDTL28/2
3150	(8) #2 - 600 kcmil	Cu/Al	BDTL28/2

Accessories – 800-3150 Amps

Auxiliary Contacts

Switch Amp Rating	Aux. Contact Amp Rating	Voltage	1 NO & 1 NC Cat. No.	2 NO & 2 NC Cat. No.
800-3150	10	600	BDAUX1	BDAUX2

Terminal Shrouds (Line side)

Amp Rating	Catalog Number
800	BDTS8A
1200	BDTS12

Shafts

Mounting Depth ¹	Shaft Length	Catalog Number
800-1200 Amps (□0.47" x 0.47")		
7.4 - 8.6	4.2	BDS107
7.4 - 10.9	6.5	BDS166
7.9 - 11.6	7.3	BDS185
9.3 - 13.0	8.7	BDS220
10.4 - 14.2	9.8	BDS250
11.6 - 15.3	11.0	BDS280
13.7 - 17.1	12.8	BDS325
16.2 - 19.9	15.6	BDS395
18.9 - 22.6	18.3	BDS465
21.7 - 25.4	21.1	BDS535
1600-3150 Amps (□0.47" x 0.47")		
13.37 - 23.1	12.8	BDS325
16.15 - 23.8	15.6	BDS395
18.9 - 26.6	18.3	BDS465
21.65 - 29.3	21.1	BDS535

¹Mounting depth is the distance from the outside of door to the disconnect switch mounting plate. Shaft can be cut to desired length.

Agency Approvals:

U.L. 98
 U.L. File E101914, Guide WPZX
 CSA File LR58077, LR58247
 IEC 947-1

CE CE logo denotes compliance with European Union Low Voltage Directive (50-1000 Vac, 75-1500 Vdc). Refer to BIF document #8002 or contact Bussmann Application Engineering at 314-527-1270 for more information.

Flange-Operated, Non-Fusible Disconnect Switches

30-200A, 600V



Flange-Operated Switch

Flange-Operated Switches¹

Amperage Rating	Switch & Mechanism Catalog Number
30	BDFLNF30F
60	BDFLNF60F
100	BDFLNF100F
175	BDFLNF175F
200	BDFLNF200AF

¹Contact Bussmann for additional information.

Handles

NEMA Type	Handle Catalog Number
1, 3R, 4, 4X, 12	BDFHNHS4
1, 3R, 12	BDFHNHS12

Shafts

Length (Inches)	Shaft Catalog Number
12	BDFHS12
17	BDFHS17
22.5	BDFHS22

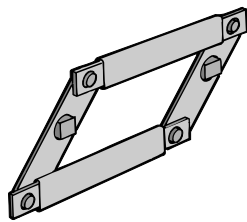
Door Hardware - NEMA 12

Item	Catalog Number
Safety door latch, 2 point with 6" handle.	BDDHK
Roller for 3 point latch, add to FHDHK	BD3RL

CE logo denotes compliance with European Union Low Voltage Directive (50-1000 Vac, 75-1500 Vdc). Refer to BIF document #8002 or contact Bussmann Application Engineering at 314-527-1270 for more information.

Conversion Kits - 16-3150A, 600V

Conversion Kits for Combination Switches



CDZW8

Description	Catalog Numbers			
	16 - 100A	175 - 200A	400 - 1200A	1600 - 3150A
6 pole	CDZW8	BDZW18	BDZW9	—
Transfer (2 switches with center OFF position)	CDZW6	BDZW20	BDZW12 ¹	—
Bypass (3 switches with center OFF position)	CDZW17	BDZW21	BDZW13	—
Mechanical Interlock (Mechanical interlock of two switches)	—	BDZW19	BDZW3 ² BDZW14 ² BDZW15 ²	BDZW15 ²
Shaft Extension Coupler	—	—	BDZW95	BDZW95

¹Includes metallic handle.

²Distance between center line of shafts: BDZW3 - 11.81"; BDZW14 - 9.84"; BDZW15 - 19.68".

Conversion kit descriptions
6 Pole

This conversion kit, in conjunction with two standard 3 pole switches, allows the switches to open or close simultaneously. Handle is not included.

Bypass (three standard switches with center OFF position)

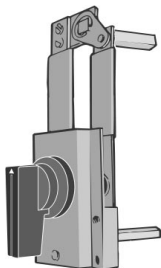
This conversion kit operates three switches: Two switches in parallel and one changeover switch to allow power bypass. A 3 position handle is included.

Mechanical interlock of two standard switches

This conversion kit prevents one switch from closing when the other switch is in the ON position. Handle is not included.

Transfer (two standard switches with center OFF position)

This conversion kit, in conjunction with two 3 pole switches, manually transfers power from one switch to another with a center OFF position. A 3 position handle is included.



CDZW6

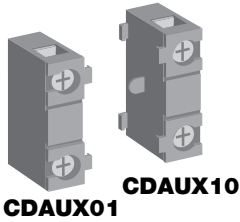
Switch Size	Handle Part Number
16-100A	BDH37 NEMA 1 & 12 only
175-1200A	BDH6

Switch Size	Handle Part Number
16-100A	BDH37 NEMA 1 & 12 only
175-1200A	BDH21

CE logo denotes compliance with European Union Low Voltage Directive (50-1000 Vac, 75-1500 Vdc). Refer to BIF document #8002 or contact Bussmann Application Engineering at 314-527-1270 for more information.

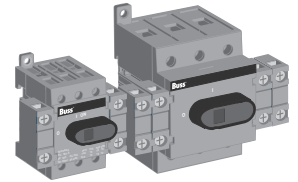
Compact Disconnect Switches – Accessories

Non-Fusible, 16-40A, 600V

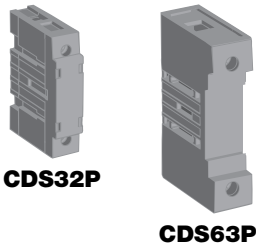


Auxiliary Contacts – Snap-On Mounting

For Switches	Description	Amps	Volts	Catalog Number
CDNF16...45	1 NO Mounts on right hand side of switch (2 max.)	10	600	CDAUX10
CDNF16...45	1 NC Mounts on left hand side of switch (2 max.)	10	600	CDAUX01



Auxiliary Contacts Mounted on CDF32 and CDF45 Switches



Power Poles – Snap-On Mounting¹

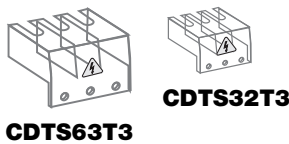
- Only one power pole per switch
- Mounts on left or right side of switch

For Switches	Catalog Number
Fourth Pole CDNF16...32 CDNF16...32D CDNF45	CDS32P CDS32D CDS63P
Late-Break/Early Make CDNF16...32 CDNF16...32D	CDL32P CDL32D

Additional Poles – Snap-On Mounting¹

- Switch accepts one additional pole per side
- Mounts on left or right side of switch

For Switches	Catalog Number
Solid Neutral CDNF16...32 CDNF16...32D	CDN32P CDN32D
Manually Operated Neutral CDNF16...32 CDNF16...32D	CDD32P CDD32D
Ground Terminal CDNF16...32 CDNF16...32D	CDE32P CDE32D

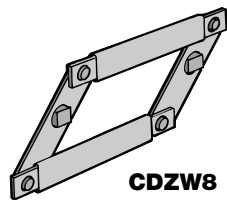
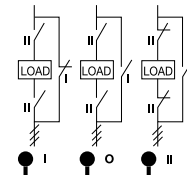


Terminal Shrouds – Snap-On Mounting²

For Switches	Catalog Number
For 3-Pole Switches CDNF16...32 CDNF45	CDTS32T3 CDTS63T3
For Single Pole CDAUX32P CDAUX63P	CDTS32T1 CDTS63T1

Bypass (three standard switches with center OFF position)

This conversion kit operates three switches: Two switches in parallel and one changeover switch to allow power bypass. A 3 position handle is included, (NEMA 1 & 12 only.)

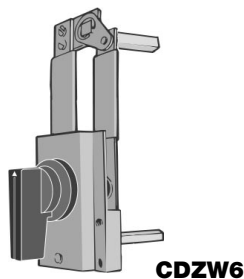
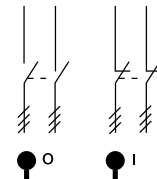


Conversion Kits for Combination Switches²

Description	Catalog Number
6 Pole	CDZW8 ³
Transfer (2 switches with center OFF position)	CDZW6 ⁴
Bypass (3 switches with center OFF position)	CDZW17 ⁴

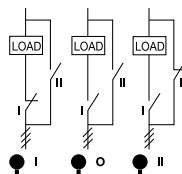
6 Pole

This conversion kit, in conjunction with two standard 3 pole switches, allows the switches to open or close simultaneously. Handle is not included.



Transfer (two standard switches with center OFF position)

This conversion kit, in conjunction with two 3 pole switches, manually transfers power from one switch to another with a center OFF position. A 3 position handle is included. (NEMA 1 & 12 only.)



¹ Switch accepts one power pole or one additional pole per side.
Only one power pole per switch.
² Switches are not included.
³ One shaft is included.
⁴ Shafts included.

CE CE logo denotes compliance with European Union Low Voltage Directive (50-1000 Vac, 75-1500 Vdc). Refer to BIF document #8002 or contact Bussmann Application Engineering at 314-527-1270 for more information.

Compact Disconnect Switches – Mounting Depths

Non-Fusible, 16-40A, 600V

Switch Sizes	Handles	Shaft Catalog Number	Shaft Length Inches/mm	Mounting Depth Inches	Mounting Depth mm	Shaft Dimensions □ mm
CDNF16-32	CDH1S & CDH2S	CDS85S	3.3/85	4.2 – 5.0	106 – 126	5
		CDS105S	4.1/105	5.0 – 5.8	126 – 146	
		CDS120S	4.7/120	5.6 – 6.4	141 – 161	
		CDS130S	5.1/130	6.0 – 6.7	151 – 171	
		CDS180S	7.1/180	7.9 – 8.7	201 – 221	
		CDS250S	9.8/250	10.7 – 11.5	271 – 291	
		CDS330S	13.0/330	13.8 – 14.6	351 – 371	
CDNF16-32	CDH3S-6S	CDS85S	3.3/85	3.6 – 4.3	92 – 110	5
		CDS105S	4.1/105	4.4 – 5.1	112 – 130	
		CDS120S	4.7/120	5.0 – 5.7	127 – 145	
		CDS130S	5.1/130	5.4 – 6.1	137 – 155	
		CDS180S	7.1/180	7.4 – 8.1	187 – 205	
		CDS250S	9.8/250	10.1 – 10.8	257 – 275	
		CDS330S	13.0/330	13.3 – 14.0	337 – 355	
CDNF16-32	Pistol	CDS48P	5.9/150	6.2 – 6.7	157 – 171	5
		CDS67P	6.7/170	7.0 – 7.5	177 – 191	
		CDS49P	10.4/265	10.7 – 11.3	272 – 286	
		CDS50P	15.8/400	16.0 – 16.6	407 – 421	
CDNF45	CDH1S & CDH2S	CDS85S	3.3/85	4.9 – 5.6	124.5 – 142.5	5
		CDS105S	4.1/105	5.7 – 6.4	144.5 – 162.5	
		CDS120S	4.7/120	6.3 – 7.0	159.5 – 177.5	
		CDS130S	5.1/130	6.7 – 7.4	169.5 – 187.5	
		CDS180S	7.1/180	8.6 – 9.4	219.5 – 237.5	
		CDS250S	9.8/250	11.4 – 12.1	289.5 – 307.5	
		CDS330S	13.0/330	14.6 – 15.3	369.5 – 387.5	
CDNF45	CDH3S-6S	CDS85S	3.3/85	4.4 – 5.0	110.5 – 126.5	5
		CDS105S	4.1/105	5.1 – 5.8	130.5 – 146.5	
		CDS120S	4.7/120	5.7 – 6.4	145.5 – 161.5	
		CDS130S	5.1/130	6.1 – 6.8	155.5 – 171.5	
		CDS180S	7.1/180	8.1 – 8.7	205.5 – 221.5	
		CDS250S	9.8/250	10.9 – 11.5	275.5 – 291.5	
		CDS330S	13.0/330	14.0 – 14.7	355.5 – 371.5	
CDNF45	Pistol	CDS48P	5.9/150	6.9 – 7.4	175 – 187	5
		CDS67P	6.7/170	7.7 – 8.1	195 – 207	
		CDS49P	10.4/265	11.4 – 11.9	290 – 302	
		CDS50P	15.8/400	16.7 – 17.2	425 – 437	

IEC Utilization Categories

Nature of Current	Utilization Category		Typical Applications
	Frequent Operation	Infrequent Operation	
Alternating Current	AC-20A	AC-20B	<ul style="list-style-type: none"> Connecting and disconnecting under no-load conditions Switching of resistive loads including moderate overloads Switching of mixed resistive and inductive loads, including moderate overloads Switching of motor loads or other highly inductive loads
	AC-21A	AC-21B	
	AC-22A	AC-22B	
	AC-23A	AC-23B	
Direct Current	DC-20A	DC-20B	<ul style="list-style-type: none"> Connecting and disconnecting under no-load conditions Switching of resistive loads including moderate overloads Switching of mixed resistive and inductive loads, including moderate overloads (e.g., shunt motors) Switching of highly inductive loads (e.g., series motors)
	DC-21A	DC-21B	
	DC-22A	DC-22B	
	DC-23A	DC-23B	
Rated Thermal Current	No. Mechanical Operations	No. Mechanical Operations	
0-50A	10,000	2,000	

Category AC-23 includes occasional switching of individual motors. The switching of capacitors or tungsten filament lamps shall be subject to agreement between manufacturer and user.

Technical Data - Fusible, 30-800 Amps

U.L. & CSA Ratings

Ampere Rating		30	60	100	200	400	600	800
U.L. Standard	2 pole	—	U.L. 98	U.L. 98	U.L. 98	U.L. 98	U.L. 98	U.L. 98
	3 pole	U.L. 98	U.L. 98	U.L. 98	U.L. 98	U.L. 98	U.L. 98	U.L. 98
	4 pole	—	—	—	—	—	—	—
Short-circuit rating with fuse	kA	100	100	100	100	100	100	100
Fuse size	A	30	60	100	200	400	600	800
Fuse class	J/C/C	J/T	J/T	J/T	J/T	J/T	T/L	—
Electrical endurance		6,000	6,000	6,000	6,000	1,000	1,000	1,000
Mechanical endurance		10,000	10,000	8,000	6,000	6,000	6,000	—
Maximum Ratings	200V	5	15	25	50	100	150	200
	208V	7.5	15	25	50	125	150	200
	240V	7.5	15	30	60	125	200	250
	480V	15	30	60	125	250	400	500
	600V	20	40	60	150	350	500	600

IEC Ratings

Ampere Rating		30	60	100	200	400	600	800
Dielectric strength	50 Hz, 1 min kV	10	8	8	10	10	10	10
Rated impulse withstand voltage	kV	12	12	12	12	12	12	12
Rated thermal current in ambient 40°C/in open air	A/W	32/3.5	63/7.5	125/12	250/32	400/45	630/60	800/65
Max. fuse power dissipation ¹ in enclosure	A/W	32/3.5	63/7.5	125/12	250/23,250/27	400/34,360/37	600/45,570/50	720/55
In enclosure with solid links	A	32	7.5	125	315	450	700	900
With minimum cable cross section	Cu mm ²	6	16	50	120	240	2 x 185	2 x 240
Rated operational voltage AC-20 and DC-20	V	1,000	750	750	1,000	1,000	1,000	1,000
Rated operational current, AC-21A	up to 500V A	32	63	125	250	400	630	800
	690V A	32	63 ²	125 ²	250	400	630	800
Rated operational current, AC-22A	up to 500V A	32	63	125	250	400	630	800
	690V A	32	63 ²	125 ²	250	400	630	800
Rated operational current, AC-23A	up to 500V A	32	63	125	250	400	630	720
	690V A	32	40 ²	50 ²	250	400	630	720
Rated operational current/poles in series DC-21A	48V A	32/2 ⁴	—	—	250/2	400/2	630/2	800/2
	100/220V A	32/2	63/3	125/3	250/2	400/2	630/2	800/2
	440V A	32/4	63/4	125/4 ²	250/2	400/2	630/2	800/2
	500-750V A	—	—	—	250/3	400/3	630/3	800/3
	1000V A	—	—	—	250/4	400/4	630/4	800/4
Rated operational current/poles in series DC-22A	48V A	32/2 ⁴	—	—	250/2	400/2	630/2	800/2
	100/220V A	32/2	63/3	125/3	250/2	400/2	630/2	800/2
	440V A	32/4	63/4	125/4 ²	250/2	400/2	630/2	800/2
	500-750V A	—	—	—	250/3	400/3	630/3	800/3
	1000V A	—	—	—	250/4	400/4	630/4	800/4
Rated operational current/poles in series DC-23A	48V A	32/2 ⁴	—	—	250/2	400/2	630/2	800/2
	110/220V A	32/2	63/3	125/3	250/2	400/2	630/2	800/2
	440V A	32/4	—	100/4 ²	250/2	400/2	630/2	800/2
	500-750V A	—	—	—	250/3	400/3	630/3	800/3
	1000V A	—	—	—	—	—	630/4	800/4
Rated operational power, AC-23 ³	230V kW	8	15	30	70	110	180	200
—The kW ratings are accurate for 3-phase	400V kW	14	30	55	132	210	315	350
1500 R.P.M. standard asynchronous motors	415V kW	15	30	55	140	230	340	380
	500V kW	18	30	70	170	280	400	470
	690V kW	25	30	45	230	330	540	600

¹Ambient temperature 60°C: derating 20%. Mounting on "ceiling": derating 10%. Mounting on wall, horizontal fuses: derating 8%.

²Utilization category B.

³Some fuse links limit these figures further. Starting current characteristics must be considered separately.

⁴Use 4-pole switches with 2 + 2 parallel contacts in series.

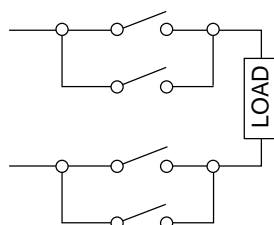


Figure 1

Technical Data – Fusible, 30-800 Amps

IEC Ratings

Ampere Rating		30	60	100	200	400	600	800
Rated breaking capacity in category AC-23	up to 500V A	256	504	800	2,000	3,200	5,760	5,760
	690V A	256	320	405	2,000	3,200	5,760	5,760
Rated breaking capacity/poles in series in category DC-23	up to 220V A	128/2	256/3	640/3	1,000/2	1,600/2	3,200/2	3,200/2
	400V A	128/4	—	400/4	1,000/2	1,600/2	3,200/2	3,200/2
	500-750V A	—	—	—	1,000/3	1,600/3	3,200/3	3,200/3
	1000V A	—	—	—	—	—	3,200/4	3,200/4
Rated conditional short-circuit current RMS and corresponding max. allowed cut-off current, peak-values	80kA, 415V kA	9	12	23	40	40	75	75
	100kA, 500V kA	7.5	9	17	40	40	75	75
—The cut-off currents refer to single phase fuse tests	50kA, 690V kA	6	8	14	35	35	60	—
	—Fuse selection tables on request	—	—	—	—	—	—	—
Rated short-time withstand current, 1s.	RMS-value kA	1	2	5	8	10	16	16
Rated capacitor power	400V kVAr	15	30	50	105	180	250	310
	—The capacitor rating of the switch-fuse is limited by the fuse link	—	—	—	—	—	—	—
	415V kVAr	15	32	55	115	200	270	340
	690V kVAr	25	50	90	190	325	450	550
Power loss/pole With rated current, without fuse	W	2	4	5	11	30	55	77
Mechanical endurance	Oper	20,000	20,000	20,000	16,000	16,000	10,000	10,000
Divide by two for operation cycles Fuse types, IEC 269-2	DIN 43620	—	00	00	0-1	0-2	3	3
	NFC	14 x 51	14 x 51	22 x 58	0-1	0-2	3	—
	BS88	A1.F1	A2-A3	A2-A4AB1-B2	B1-B4	B1-B4	C1-C2	C1-C3
	—size/distance of fuse link bolts—	mm	M4/44.5	M5/73	M5/73, M8/94	M8/111	M8/111	M10/133, 184
Weight without accessories	3-pole switch fuses	kg	0.7	1.6	1.8	6.9	7.8	15.5
	4-pole switch fuses	kg	0.9	1.9	2.3	7.9	8.8	19.0
Built-in terminal size	Cu mm ²	0.5...10	2.5...25	—	—	—	—	—
Terminal bolt size	Metric thread diameter x length	mm	—	—	M8 x 25	M10 x 40	M10 x 40	M12 x 40
	—	—	—	—	—	—	—	—
Terminal tightening torque	Nm	2	5	15...22	30...44	30...44	50...75	50...75
Counter torque required	Nm	2	3.5	M5:3.5/M8:10	15	15	40	40
Fuse-links bolts tightening torque	Nm	—	—	—	—	—	—	—
Operating torque	Nm	3	3	5	22	22	28	28
Typical for 3-pole switch fuses	Nm	—	—	—	—	—	—	—

Technical Data - Non-Fusible, 16-3150 Amps

U.L. & CSA Ratings

Ampere Rating		16	25	32	40	80	100	175	200	400	600	800	1200	1600	2000	3150
U.L. Standard	2 Pole	—	—	—	—	—	—	—	U.L. 98	U.L. 98	U.L. 98	U.L. 98	U.L. 98	U.L. 98	U.L. 98	U.L. 98
	3 Pole	U.L. 508	U.L. 508	U.L. 508	U.L. 508	U.L. 508	U.L. 508	U.L. 508	U.L. 98	U.L. 98	U.L. 98	U.L. 98	U.L. 98	U.L. 98	U.L. 98	U.L. 98
	4 Pole	U.L. 508	U.L. 508	U.L. 508	U.L. 508	U.L. 508	U.L. 508	U.L. 508	U.L. 98	U.L. 98	U.L. 98	U.L. 98	U.L. 98	U.L. 98	U.L. 98	U.L. 98
Short-circuit rating with fuse	kA	10/5	10/5	10/5	10/5	10	100	100	100	100	100	100	100	100	100	100
Fuse size	A	30	30	30	60	110	110	200	200	600	600	1,200	1,200	2,000	2,000	2,000
Fuse class			CC, J, T, RK1/RK5				H or K	J	RK5	RK5	RK5	RK5	L	L	L	L
Short-circuit rating with MCCB	kA	—	—	—	—	—	—	25	25	50	50	50	50	65	65	—
Maximum	200V	2	3	5	10	15	20	30	60	100	150	200	—	—	—	—
	208V	2	3	5	10	15	20	30	60	100	150	200	—	—	—	—
Horsepower	240V	2	3	5	10	20	25	40	75	125	200	250	—	—	—	—
Ratings	480V	7.5	7.5	10	20	40	50	75	150	250	400	500	—	—	—	—
	600V	7.5	10	15	20	50	60	100	200	350	500	600	—	—	—	—
Electrical endurance		6,000	6,000	6,000	6,000	6,000	6,000	6,000	6,000	1,000	1,000	1,000	1,000	1,000	1,000	1,000
Mechanical endurance		6,000	6,000	6,000	6,000	6,000	6,000	6,000	8,000	6,000	6,000	6,000	6,000	6,000	6,000	6,000

IEC Ratings

Ampere Rating		16	25	32	40	80	100	175	200	400	600	800	1200	1600	2000	3150
Rated insulation voltage and operational voltage, AC 20 and DC 20		V	750	750	750	750	690	690	1,000	1,000	1,000	1,000	1,000	1,000	1,000	1,000
Rated impulse withstand voltage		kV	8	8	8	8	8	8	12	12	12	12	8	8	8	8
Rated Thermal Current I_{th}:																
AC 20 and DC 20		open A	25	32	40	50	100	125	250	350	630	800	1,250	1,600	2,500	3,150
		40°C enclosed A	25	32	40	50	80	125	200	315	630	720	1,250	1,600	2,300	2,600
		60°C enclosed A	25	32	40	50	63	100	175	260	500	600	1,000	1,250	1,950	2,300
Rated Operational Currents:																
AC21A	500V A	16	25	32	45	80	125	200	315	630	800	1,250	1,600	2,500 ⁴	3,150 ⁴	3,150 ⁴
	690V A	16	25	32	45	80	125	200	315	630	800	1,250	1,600	2,500 ⁴	3,150 ⁴	3,150 ⁴
	1000V ⁵ A	—	—	—	—	—	—	200	315	630	—	—	—	—	—	—
AC22A	500V A	16	25	32	45	80	125	200	315	630	800	1,250	1,600	1,600 ⁴	1,600 ⁴	1,600 ⁴
	690V A	16	25	32	45	80	80	200	315	630	800	—	—	—	—	—
	1000V ⁵ A	—	—	—	—	—	—	200	250	400	—	—	—	—	—	—
AC23A	415V A	16	20	23	30	63	75	200	315	630	720	800	800	800 ⁴	800 ⁴	800 ⁴
	500V A	16	20	23	30	45	56	200	315	580	600	800	800	800 ⁴	800 ⁴	800 ⁴
	690V A	8	11	12	20	40 ⁶	35 ⁶	200	315	350	350	—	—	—	—	—
	1000V ⁵ A	—	—	—	—	—	—	125	125	200	200	—	—	—	—	—
DC21A	48V A					80 ¹	125 ¹	200	315	630	800	1,250	1,600	1,600	1,600	1,600
	3-poles in series 16-100A					80	125	200	315	630	800	1,250	1,600	1,600	1,600	1,600
	2-poles in series 175-3150A					80	—	200	315	630	800	1,250	1,600	1,600	1,600	1,600
	220V A					—	—	200	315	—	—	—	—	—	—	—
DC22A	48V A					80 ¹	75 ¹	200	315	630	800	—	—	—	—	—
	3-poles in series 16-100A					80	50	200	315	630	630	—	—	—	—	—
	2-poles in series 175-3150A					50	—	200	315	400	500	— ⁷	— ⁷	— ⁷	— ⁷	— ⁷
	220V A					—	—	200	315	400	500	—	—	—	—	—
DC23A	48V A					80 ¹	75 ¹	200	315	—	—	—	—	—	—	—
	3-poles in series 16-100A					35	50	200	315	630	800	—	—	—	—	—
	2-poles in series 175-3150A					25	—	200	315	630	630	— ⁷	— ⁷	— ⁷	— ⁷	— ⁷
	220V ² A					—	—	200	315	400	400	—	—	—	—	—

¹Two sets of parallel poles in series (Figure 1)

²Three poles in series (Figure 2)

³Four poles in series

⁴IEC 947-3, utilization category B, infrequent operation

⁵IEC 408

⁶Size 4

⁷Available upon request

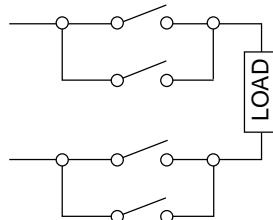


Figure 1

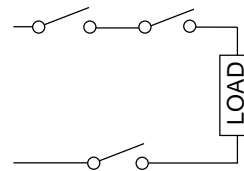


Figure 2

Technical Data – Non-Fusible, 16-3150 Amps

IEC Ratings

Ampere Rating		16	25	32	40	80	100	175	200	400	600	800	1200	1600	2000	3150
Rated operational power																
230V kW		3	4	5.5	7.5	18.5	22	55	90	180	200	250	250	250	250	250
400/415V kW		7.5	9	11	15	30	37	90	160	315	355	400	400	400	400	400
The kW-ratings are accurate for three-phase 1500 r.p.m. standard asynchronous motors.																
500V kW		7.5	9	11	15	30	37	132	200	355	400	450	450	450	450	450
690V kW		7.5	9	11	15	30 ¹²	30 ¹²	170	250	355	355	—	—	—	—	—
Short-circuit current with back-up fuses of size ¹¹	kA	50	50	50	50	50	50	100	100	80 150	80	50	50 ⁸	50 ⁵	50 ⁵	50 ⁵
	A	25	32	40	50	100	125	400	400	630 800	800	1,000	1,250	1,250	1,250	1,250
Rated voltage	Ue V/V	415	415	415	415	415/690	500/690	500/690	500/690	500/690	500/690	690	690	690	690	690
Rated conditional short-circuit current	kA/kA	50	50	50	50	10/18	10/10	100/50	100/50	100/50	100/50	45	45	50	50	50
Max. allowed fuse size, type OFAA	A/A	16	32	40	50	100/63	80/63	400	400	800 ¹³	800 ¹³	—	—	—	—	—
Max. allowed cut-off current, peak value	kA/kA	4	4.3	4.6	5.5	5.8/5.5	4.2/5.6	30	30	62	62	—	—	—	—	—
Rated short-circuit making capacity, prospective peak value, I _m																
	kA	1	1	1	1	2.7	3.6	35/35	35	80	80	95	95	115	115	115
Rated short-time withstand current, RMS I _{sw}																
	0.2 _s kA	1	1	1	1	1.5	2.5	17	17	38	38	45	45	50	50	50
	1.0 _s kA	1	1	1	1	1.5	2.5	8	8	17	17	33	33	37	37	37
AC breaking capacity																
415V A		128	160	184	240	510	600	1,600	2,520	5,760	5,780	6,400	6,400	6,400	6,400	6,400
500V A		128	160	184	240	400	450	1,600	2,520	4,800	4,800	6,400	6,400	6,400	6,400	6,400
690V A		54	88	96	150	320	280	1,600	2,520	2,800	2,500 ⁹	2,500 ⁹	4,800 ¹⁰	4,800 ¹⁰	—	—
1000V ¹¹ A		—	—	—	—	—	—	1,000	1,000	1,200	1,200	—	—	—	—	—
DC breaking capacity																
48V A						325	—	1,260 ⁹	1,260 ⁹	—	—	—	—	—	—	—
110V A						550 ⁴	300	1,260 ⁹	1,260 ⁹	—	—	—	—	—	—	—
220V A						215 ⁴	200	1,260 ¹	1,260 ¹	1,600 ¹	2,000 ¹	1,900 ^{1,4}	2,600 ^{1,4}	2,600 ^{1,4}	2,600 ^{1,4}	2,600 ^{1,4}
440V A						30 ⁴	—	1,260	1,260	1,600	2,000	—	—	—	—	—
750V ² A						—	—	1,260 ³	1,260 ³	—	—	—	—	—	—	—
Electrical endurance at rated operational current.																
pf 0.65	operation cycles	3,000	3,000	3,000	3,000	1,500	1,500	1,000	1,000	1,000	500	500	500	100 ⁷	100 ⁷	100 ⁷
Mechanical endurance																
	operations	20,000	20,000	20,000	20,000	20,000	16,000	16,000	16,000	10,000	10,000	10,000	10,000	6,000	6,000	6,000
Weight																
3-pole lb		.24	.24	.24	.60	.66	.99	6.17	13.66	13.33	35.93	38.58	143	143	143	143
4-pole lb		.33	.33	.33	.77	.72	1.38	7.93	16.75	16.75	45.19	49.60	165	165	165	165
Power loss per one pole																
	W	.3	.6	1.0	1.4	7	7	3.5	8.5	22	40	40	67	90	140	140
Operating torque ¹¹																
	Nm	1	1	1	1.2	2.0	1.6	8.2	8.2	21	21	21	21	50	50	50
Suitable conductor cross section Cu																
	mm ²	.75...10	.75...10	.75...10	1.5...25	1.5...35	10...70	8 x 25	10 x 30	12 x 40	12 x 40	12 x 60	12 x 60	12 x 60	12 x 60	12 x 60

¹Two poles in series
²Three poles in series (Figure 2)
³Four poles in series
⁴L/R = 2.5 ms
⁵With circuit breaker, time-delay 1 sec. max.

⁶Pf 0.95
⁷IEC 947-3, utilization category B, infrequent operation
⁸With circuit breaker, time-delay 0.5 sec. max. (in closed position)

⁹One pole
¹⁰Pf 0.65
¹¹IEC 408
¹²Available upon request
¹³Size 4

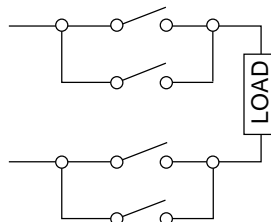


Figure 1

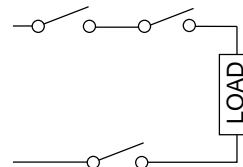
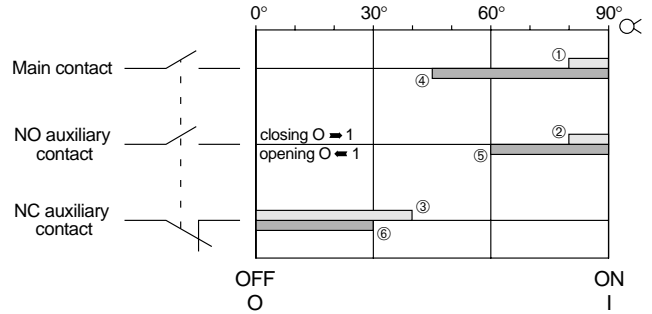
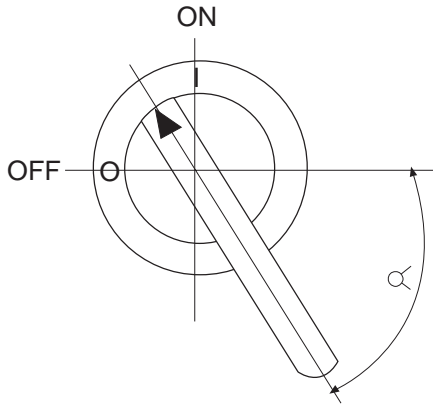


Figure 2

Technical Data – Auxiliary Contact Timing Diagrams

Fusible – 30 Amps

Legend



Contacts closing

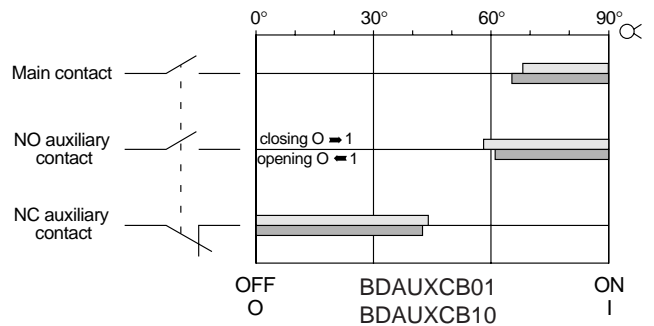
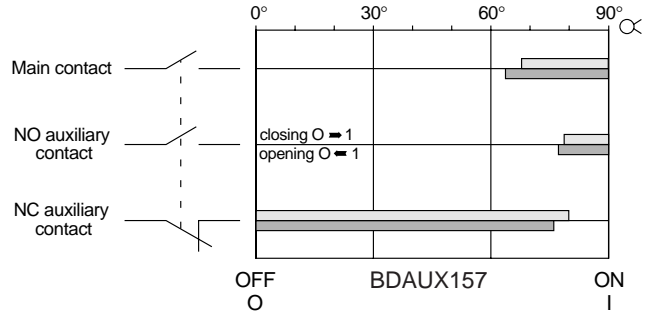
- ¹ Main contacts close
- ² NO auxiliary contacts close
- ³ NC auxiliary contacts open

Contacts opening

- ⁴ Main contacts open
- ⁵ NO auxiliary contacts open
- ⁶ NC auxiliary contacts close

30 Amps

Catalog Number	Auxiliary Contact	Contact Configuration
	BDAUX157	1 NO & 1 NC
BDCF30	BDAUXCB01	1 NO
	BDAUXCB10	1 NC

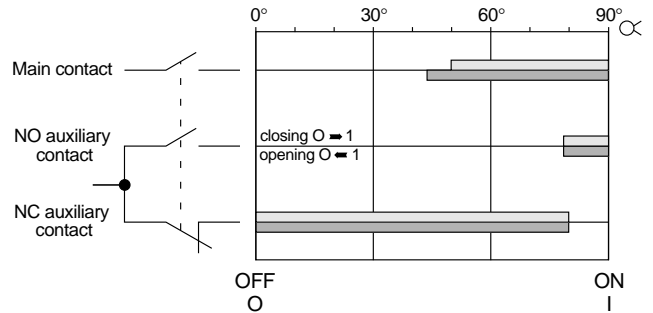
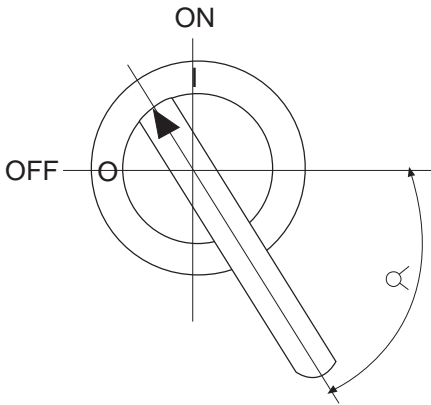


Technical Data – Auxiliary Contact Timing Diagrams

Fusible – 60-100 Amps

60-100 Amps

Catalog Numbers	Auxiliary Contact	Contact Configuration Form C
BDF60 & BDF100	BDAUX7	1 NO & 1 NC
	BDAUX8	2 NO & 2 NC

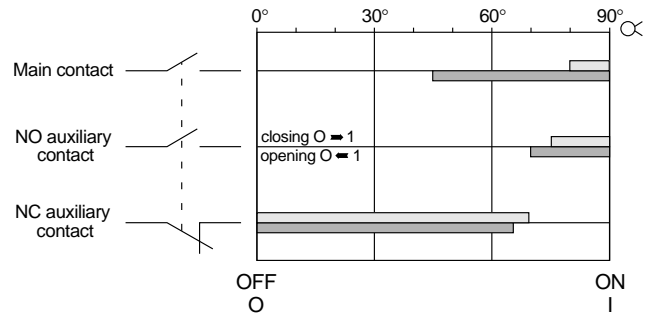
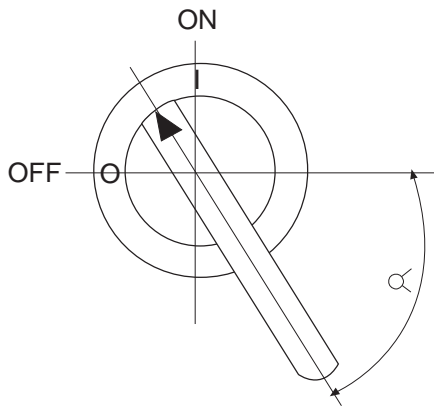


Technical Data – Auxiliary Contact Timing Diagrams

Fusible – 200-800 Amps

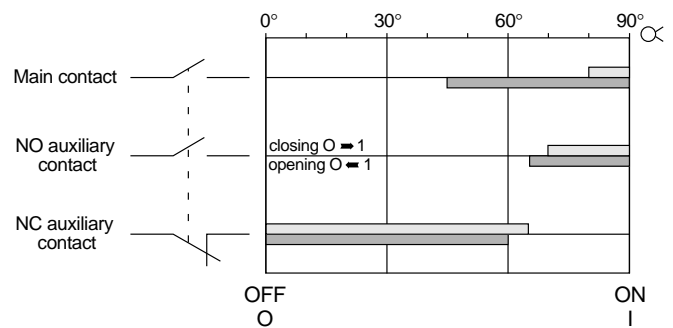
200-400 Amps

Catalog Numbers	Auxiliary Contact	Contact Configuration
FD200 & FD400	BDAUX1	1 NO & 1 NC
	BDAUX2	2 NO & 2 NC



600-800 Amps

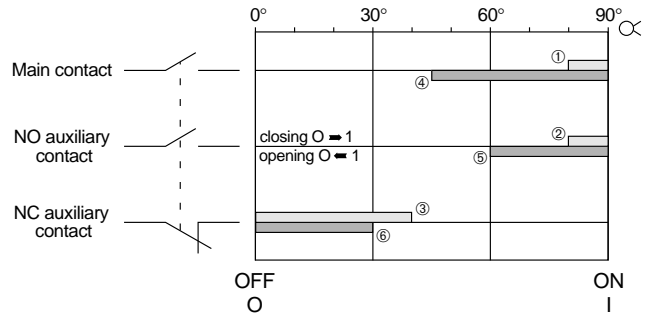
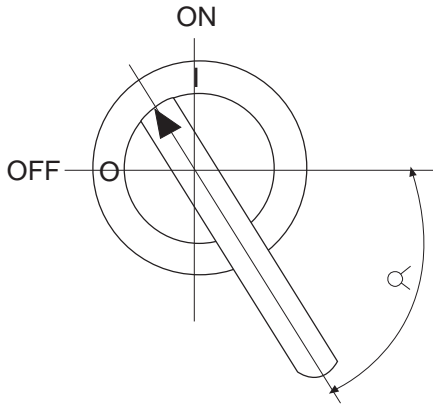
Catalog Numbers	Auxiliary Contact	Contact Configuration
FD600 & FD800	BDAUX1	1 NO & 1 NC
	BDAUX2	2 NO & 2 NC



Technical Data – Auxiliary Contact Timing Diagrams

Non-Fusible – 16-40 Amps

Legend



Contacts closing

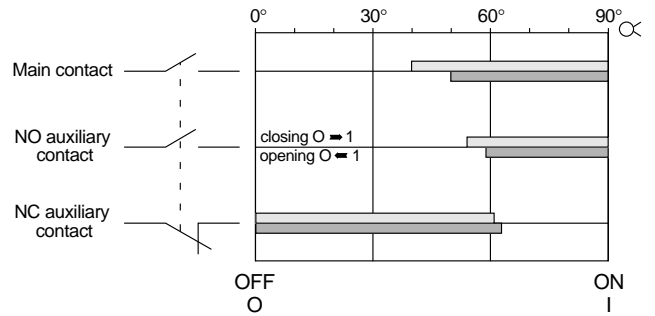
- ¹ Main contacts close
- ² NO auxiliary contacts close
- ³ NC auxiliary contacts open

Contacts opening

- ⁴ Main contacts open
- ⁵ NO auxiliary contacts open
- ⁶ NC auxiliary contacts close

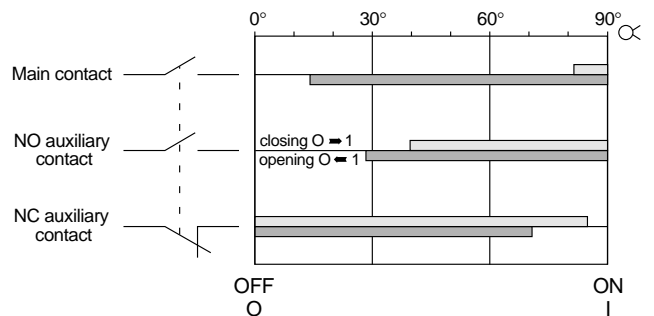
16-30 Amps

Catalog Number	Auxiliary Contact	Contact Configuration
CDNF16-32	CDAUX10	NO
	CDAUX01	NC



40 Amps

Catalog Number	Auxiliary Contact	Contact Configuration
CDNF45	CDAUX10	NO
	CDAUX01	NC

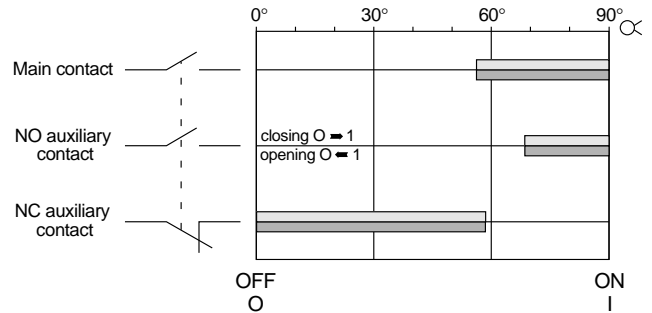
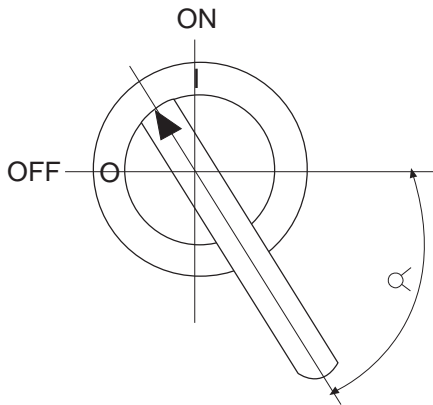


Technical Data – Auxiliary Contact Timing Diagrams

Non-Fusible – 80 Amps

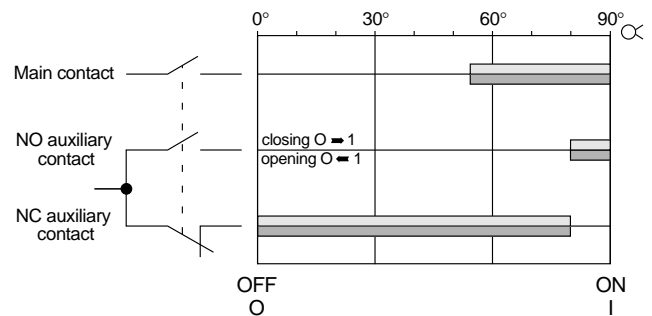
80 Amps

Catalog Number	Auxiliary Contact	Contact Configuration
BDNF60	BDAUXCA10	NO
	BDAUXCA01	NC



80 Amps

Catalog Number	Auxiliary Contact	Contact Configuration Form C
BDNF60	BDAUX79	1 NO & 1 NC
	BDAUX80	2 NO & 2 NC

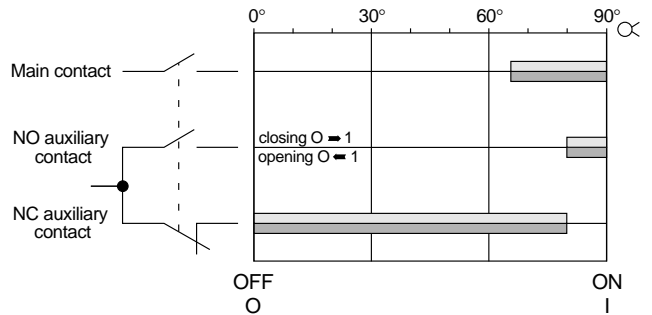
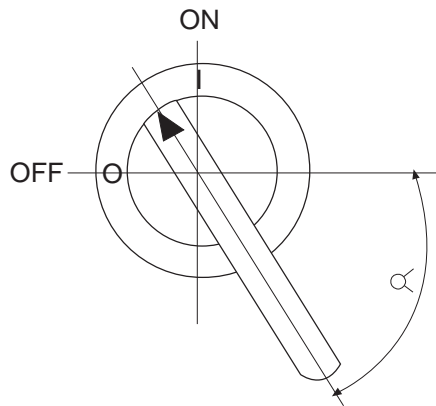


Technical Data – Auxiliary Contact Timing Diagrams

Non-Fusible – 100-200 Amps

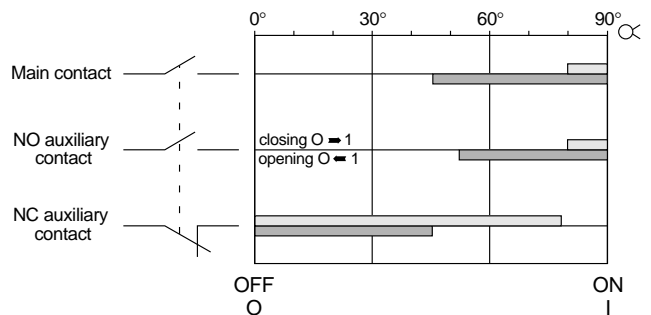
100 Amps

Catalog Number	Auxiliary Contact	Contact Configuration Form C
BDNF100	BDAUX52	1 NO & 1 NC
	BDAUX53	2 NO & 2 NC



175-200 Amps

Catalog Numbers	Auxiliary Contact	Contact Configuration
BDNF175A & BDNF200A	BDAUX12	1 NO & 1 NC
	BDAUX13	2 NO & 2 NC

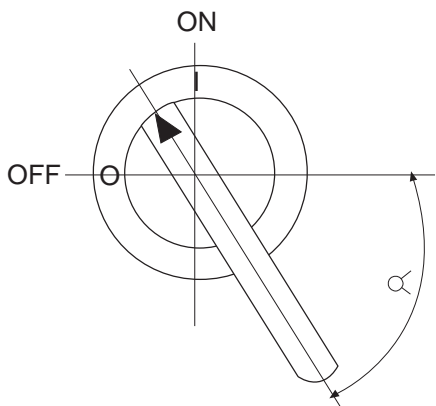
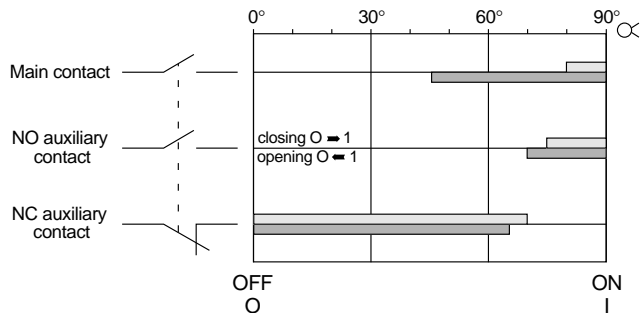


Technical Data - Auxiliary Contact Timing Diagrams

Non-Fusible - 400-3150 Amps

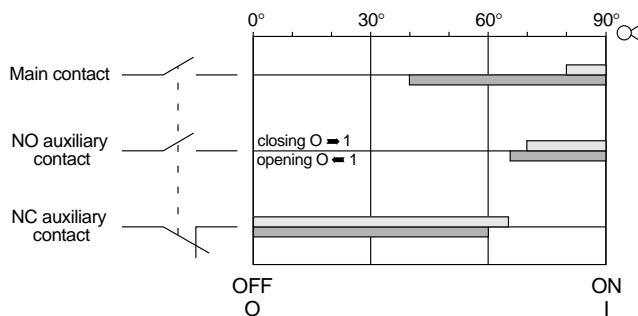
400-600 Amps

Catalog Numbers	Auxiliary Contact	Contact Configuration
BDNF400 & BDNF600A	BDAUX1	1 NO & 1 NC
	BDAUX2	2 NO & 2 NC



800-3150 Amps

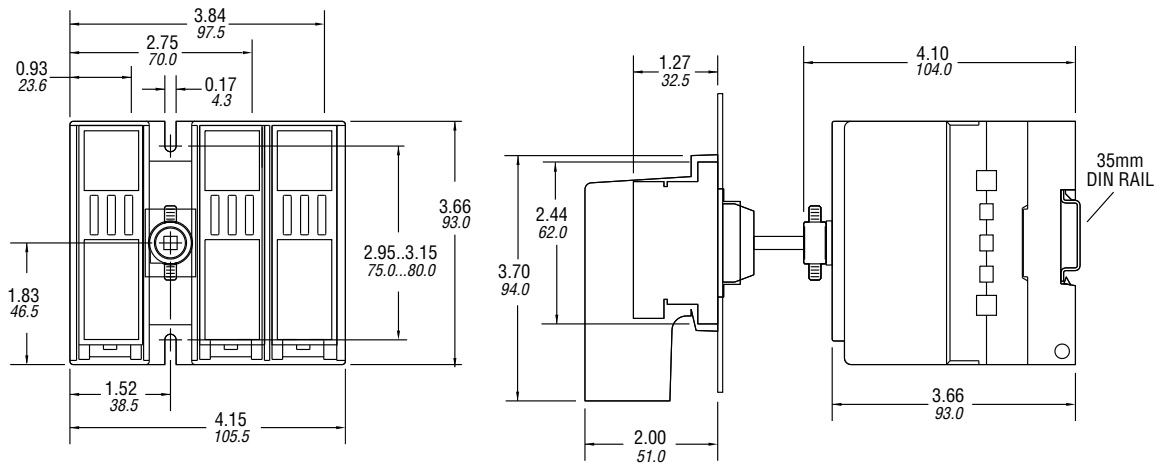
Catalog Numbers	Auxiliary Contact	Contact Configuration
BDNF800A through BDNF3150	BDAUX1	1 NO & 1 NC
	BDAUX2	2 NO & 2 NC



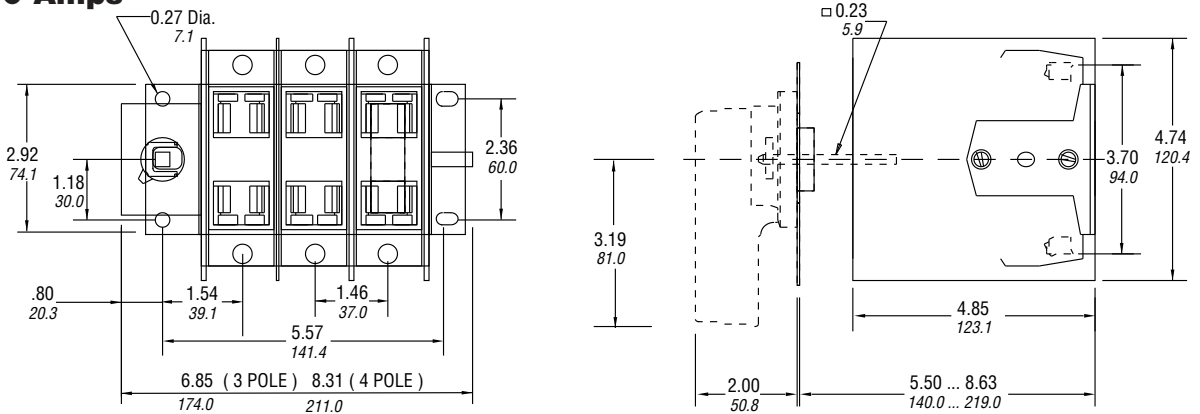
Approximate Dimensions - Fusible

30 Amps

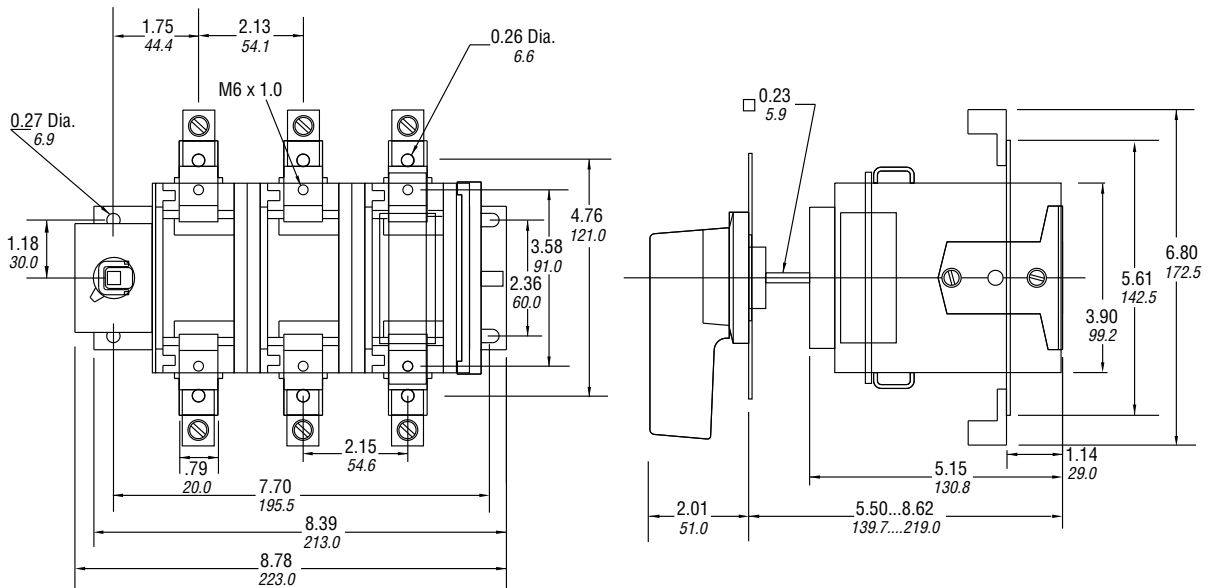
00.00 Inches
00.00 Millimeters



60 Amps

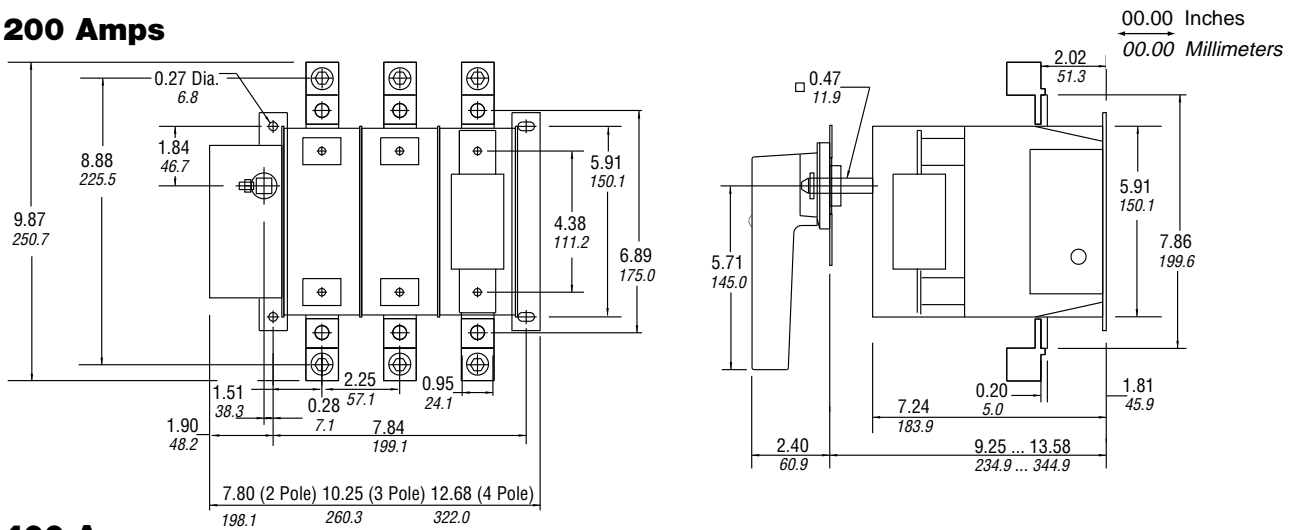


100 Amps

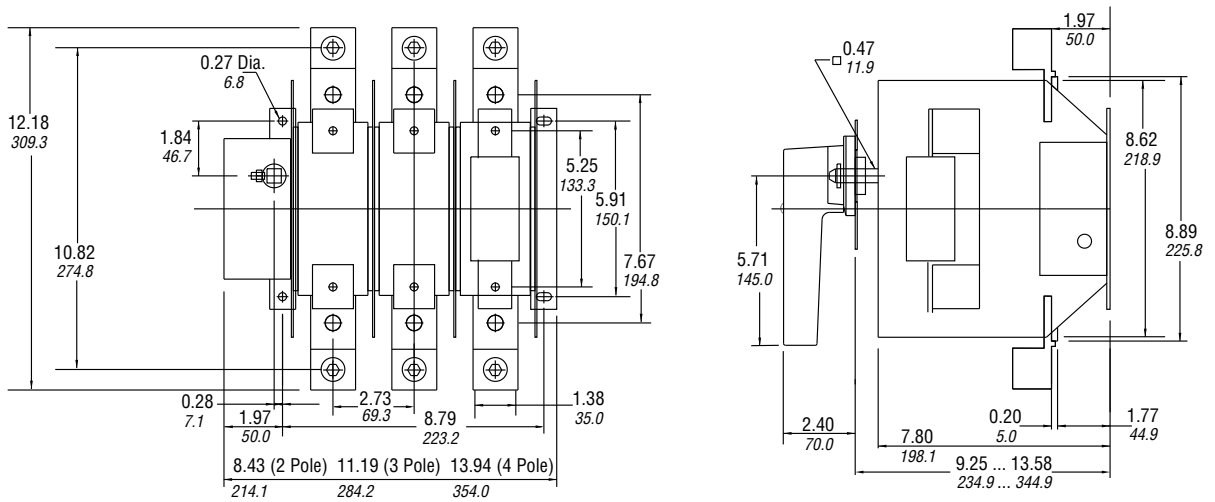


Approximate Dimensions – Fusible

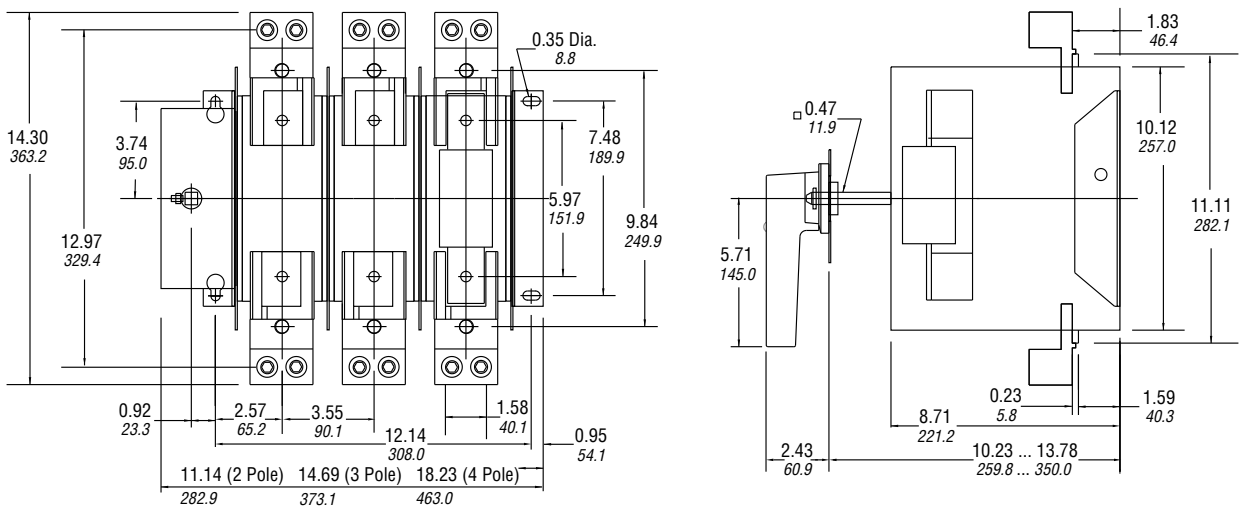
200 Amps



400 Amps



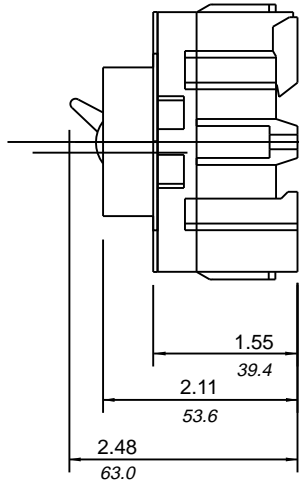
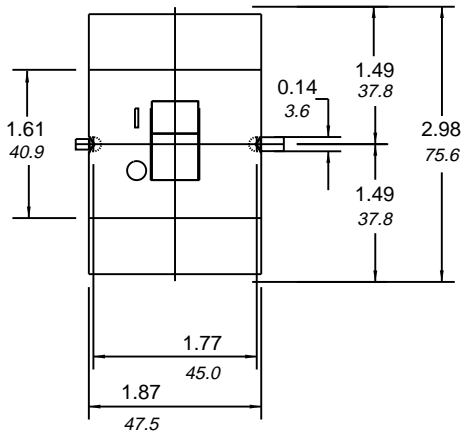
600 & 800 Amps



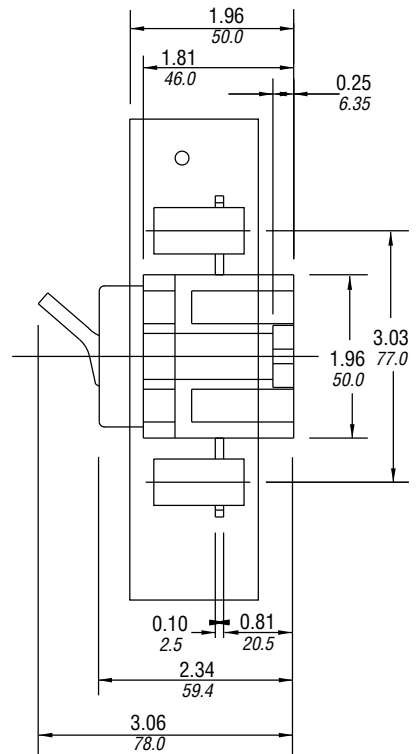
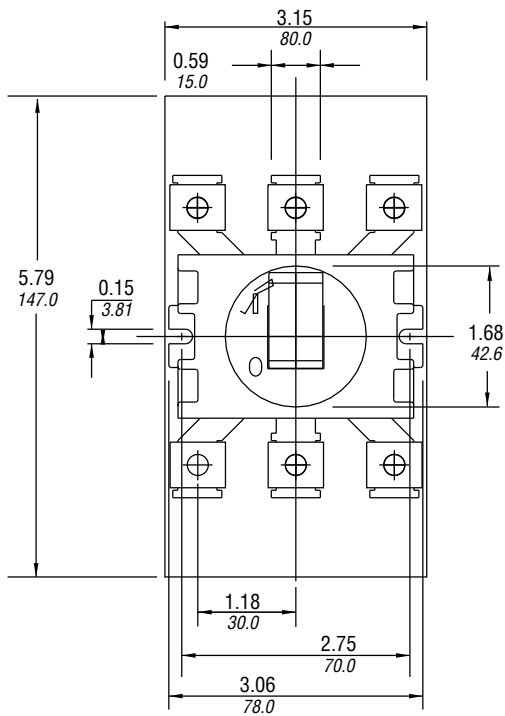
Approximate Dimensions - Non-Fusible, Toggle Type

80 Amps

00.00 Inches
00.00 Millimeters



100 Amps

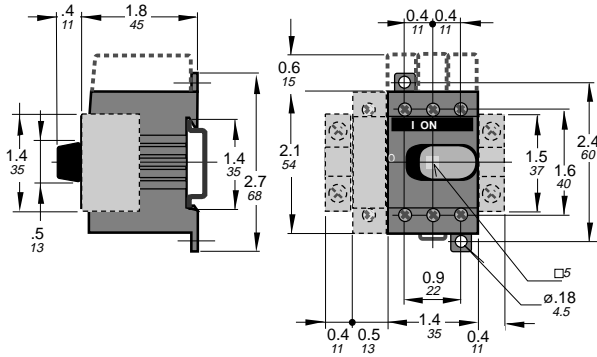


Approximate Dimensions – Compact, Non-Fusible

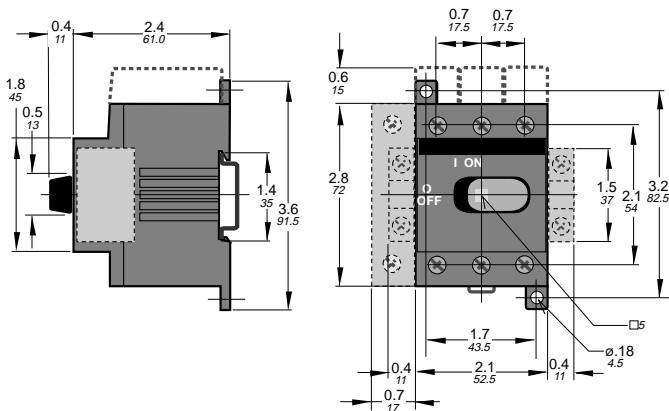
Non-Fusible, 16-40A, 600V

← 00.00 → Inches
00.00 → Millimeters

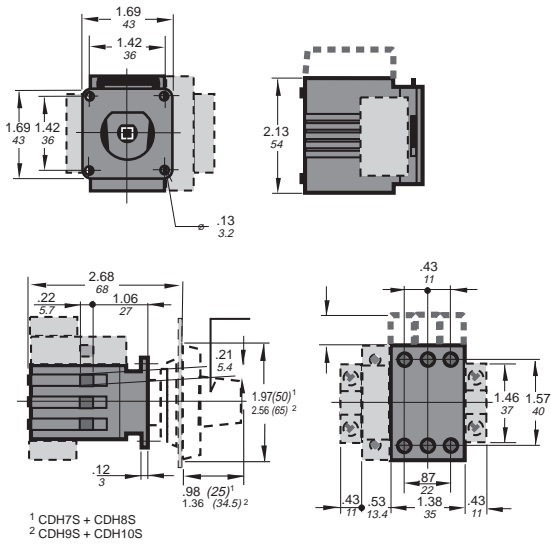
Base and DIN rail mounted switches CDNF16, CDF25, & CDF32



CDNF45



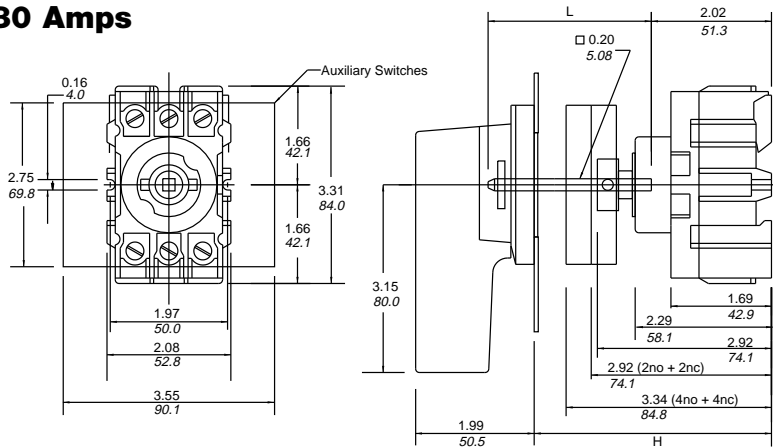
Door mounted switches CDNF16D, CDF25D, & CDF32D



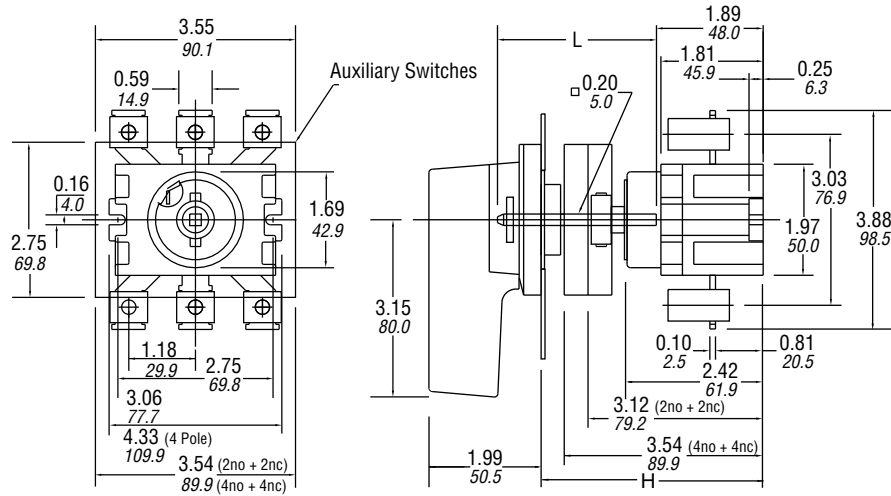
Approximate Dimensions - Non-Fusible

00.00 Inches
 00.00 Millimeters

80 Amps

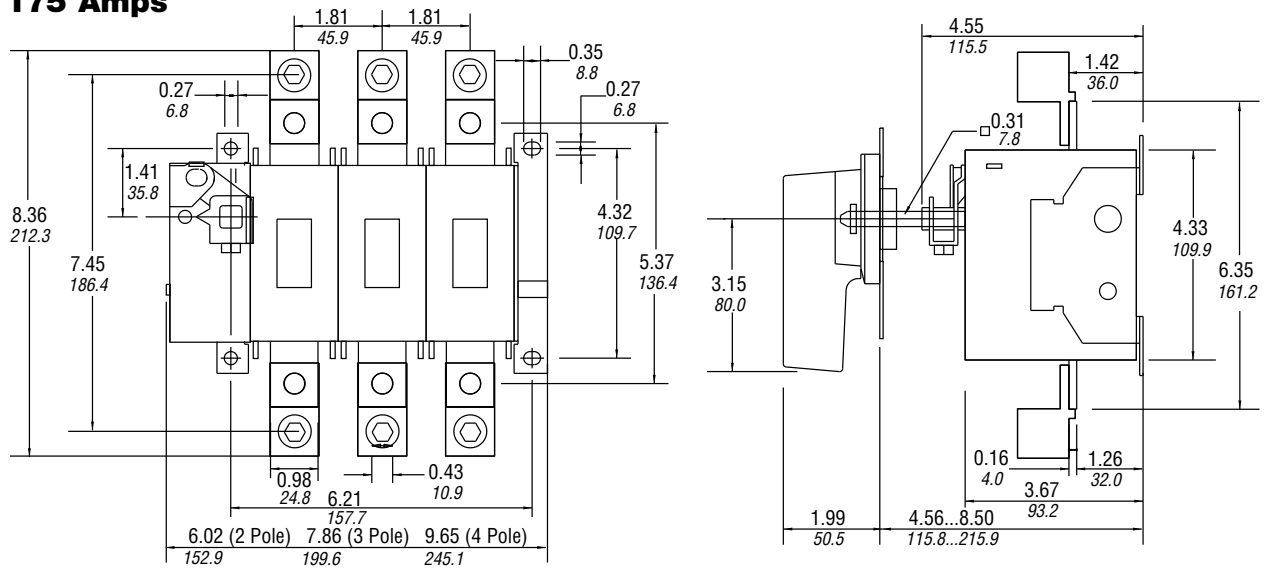


100 Amps



DIMENSION	HANDLE TYPE	
	PISTOL	SELECTOR
L	5.91 150.1	3.55 90.1
H	6.88 - 7.50 174.8 - 190.5	5.50 - 6.12 139.7 - 155.4

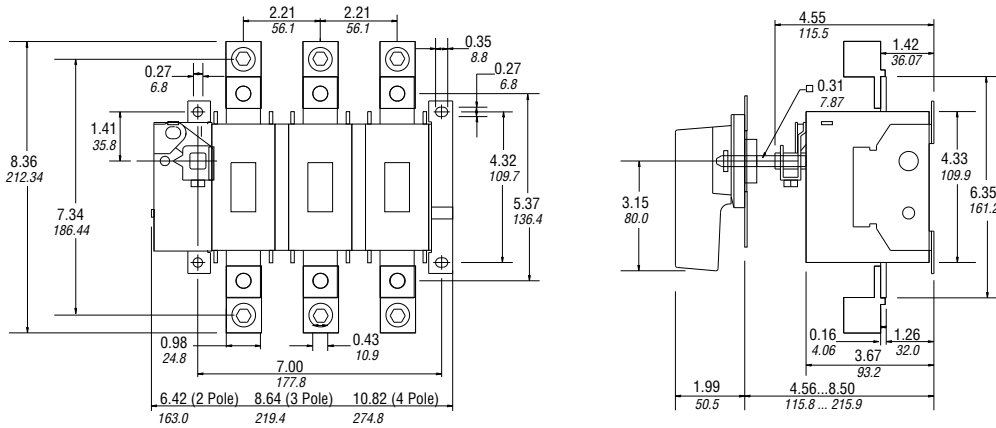
175 Amps



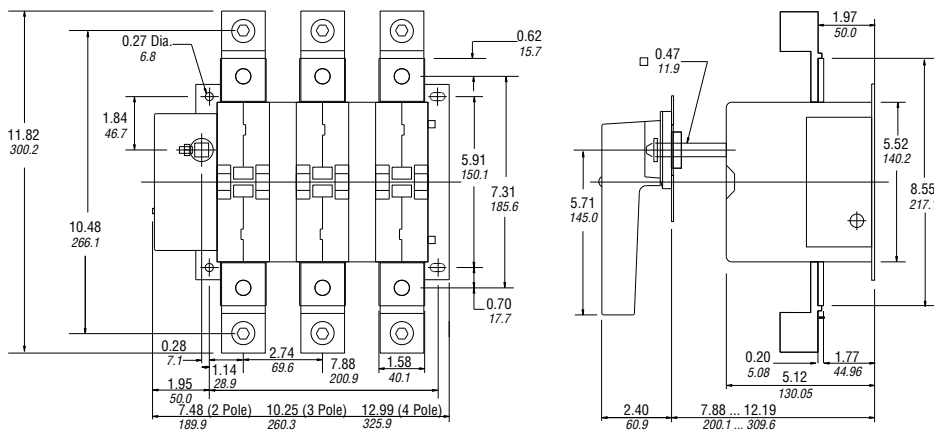
Approximate Dimensions - Non-Fusible

200 Amps

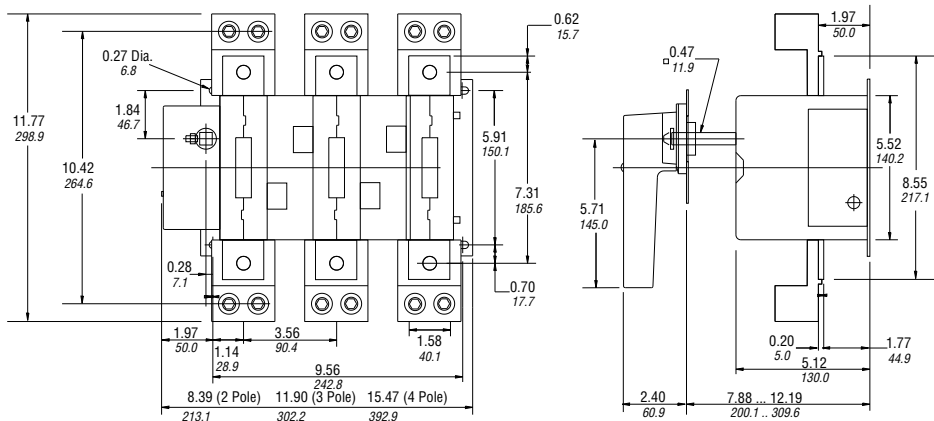
00.00 Inches
00.00 Millimeters



400 Amps



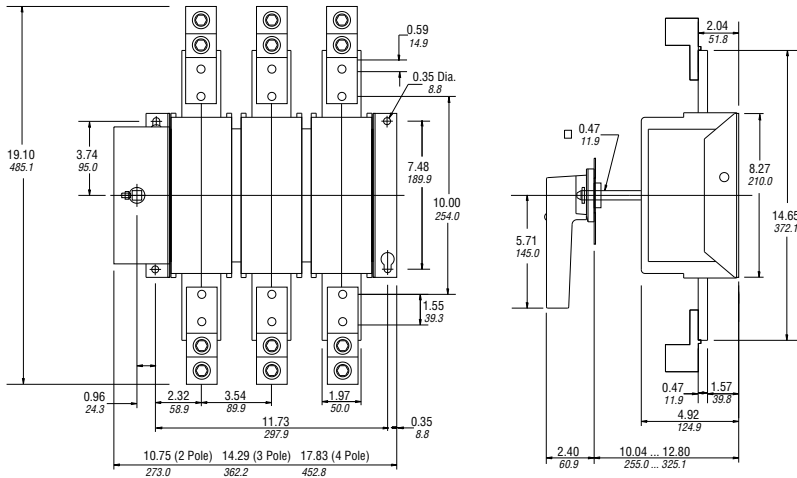
600 Amps



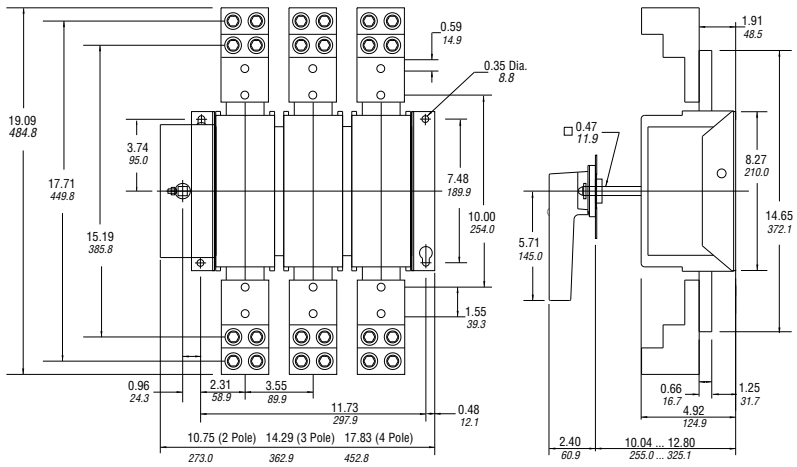
Approximate Dimensions - Non-Fusible

800 Amps

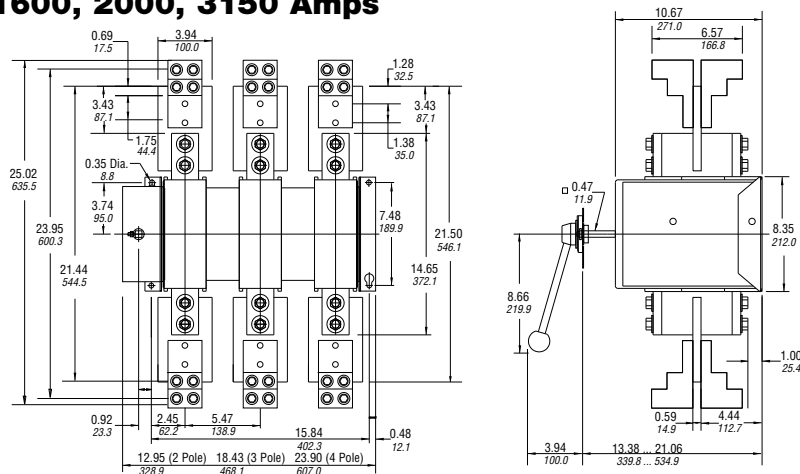
00.00 Inches
 00.00 Millimeters



1200 Amps



1600, 2000, 3150 Amps

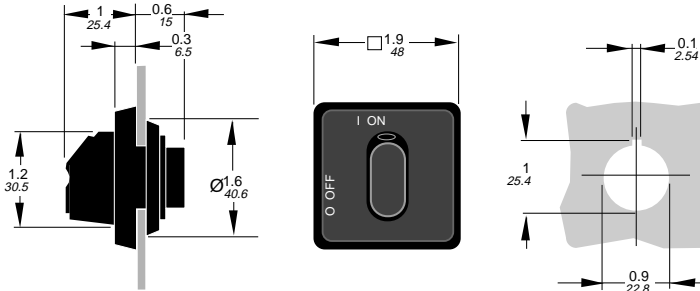


Approximate Dimensions - Handles

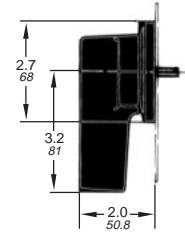
Handles for base & DIN rail mounted switches

CDH1S & CDH2S

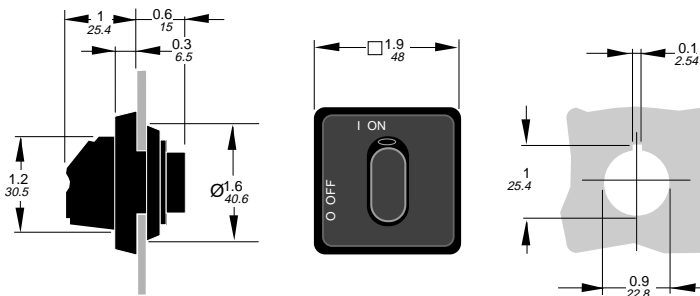
← 00.00 → Inches
00.00 → Millimeters



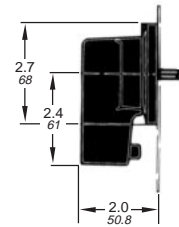
BDH47 & BDH99



CDH3S, CDH4S, CDH5S & CDH6S

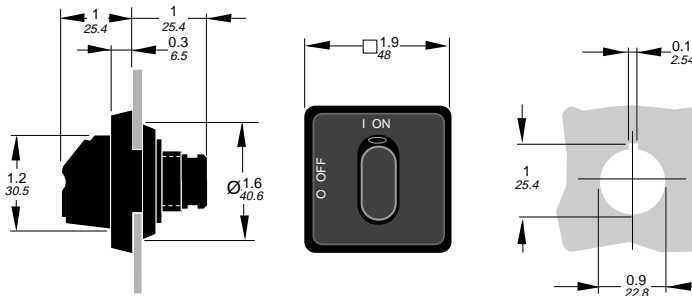


BDH100, BDH102, BDH103, & BDH104

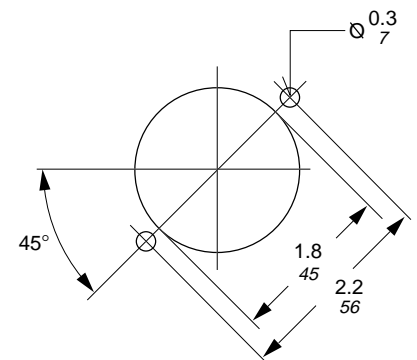


Handles for door mounted switches

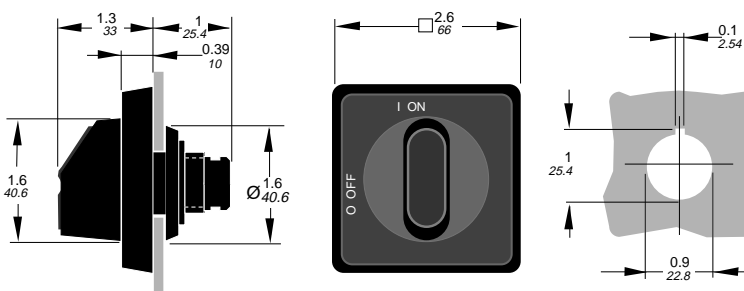
CDH7S & CDH8S



Mounting dimensions, pistol handle



CDH9S & CDH10S

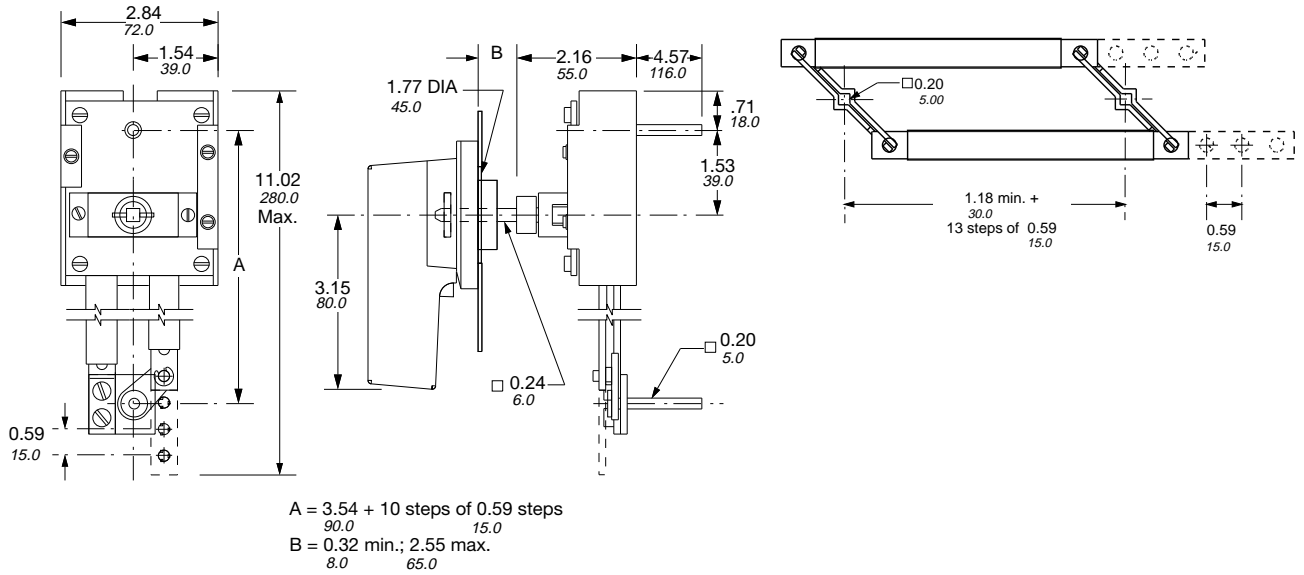


Approximate Dimensions - Transfer & Bypass Switches

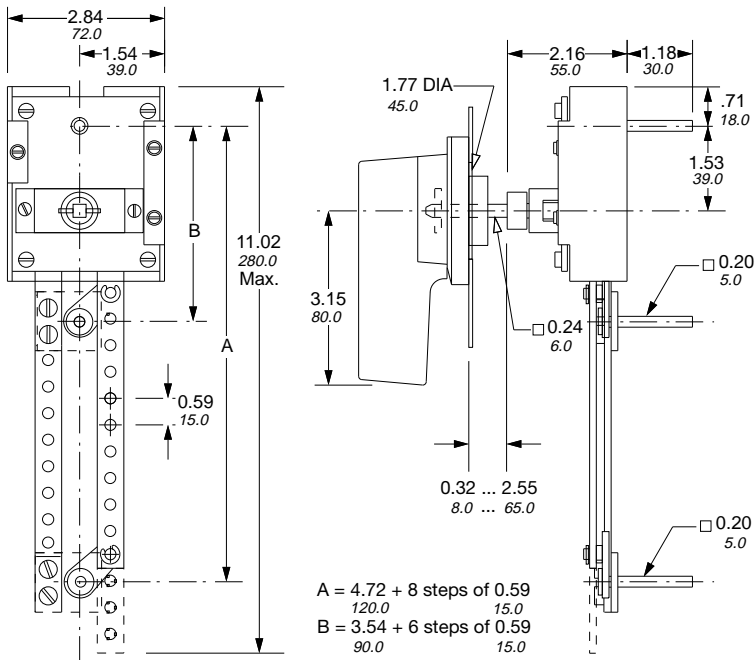
Transfer & bypass switches CDZW6

CDZW8

← 00.00 → Inches
00.00 → Millimeters



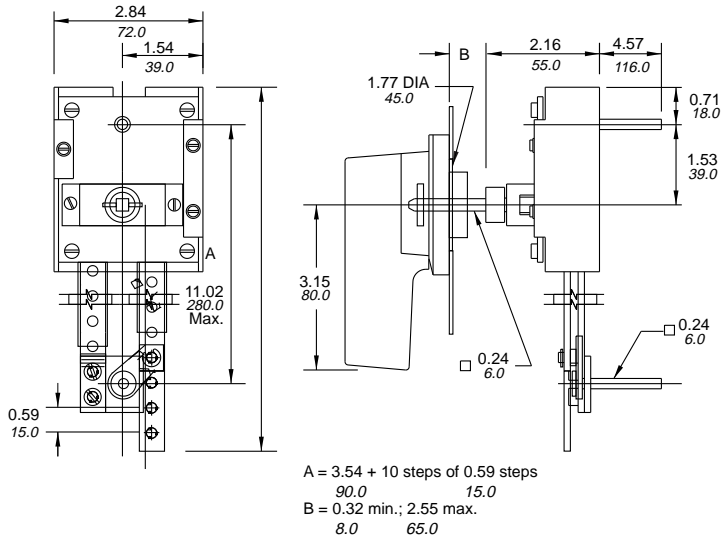
CDZW17



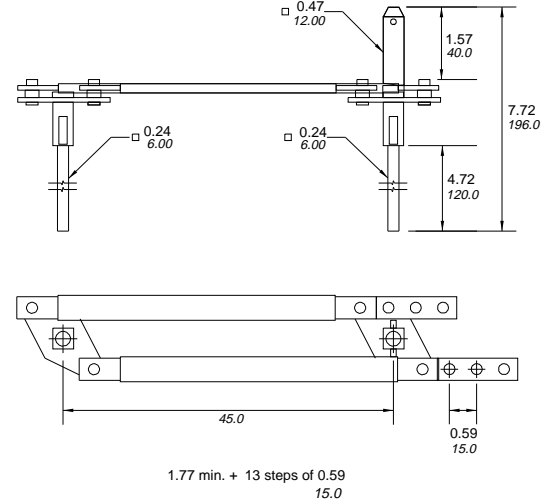
Approximate Dimensions - Transfer Switches

← 00.00 → Inches
00.00 → Millimeters

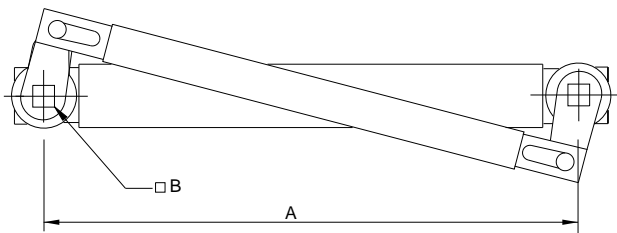
BDZW1



BDZW2



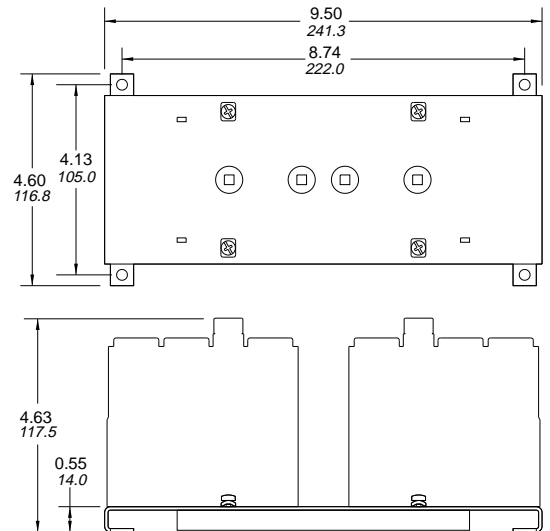
BDZW3 - ZW14 and - ZW15



Dimensions in Inches & mm

	A	B
BDZW3	11.81 300.0	0.47 12.0
BDZW14	9.84 250.0	0.47 12.0
BDZW15	19.69 500.0	0.47 12.0
BDZW19	11.02 280.0	0.31 8.0

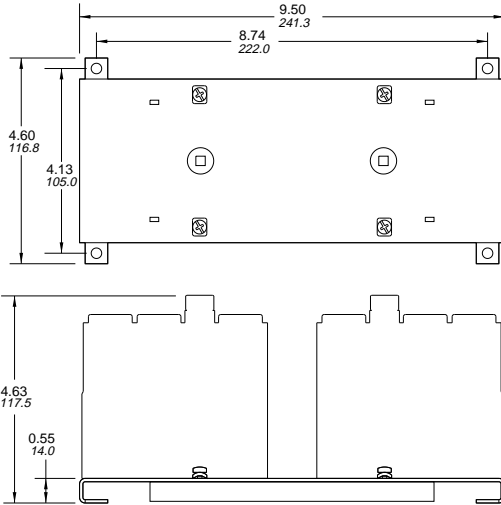
BDZW4



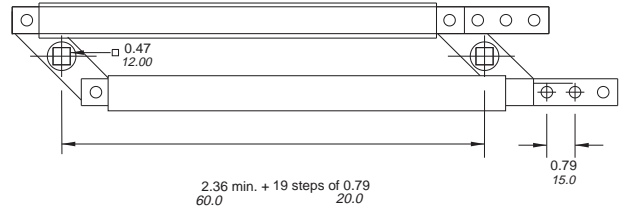
Approximate Dimensions - Transfer Switches

← 00.00 00.00 → Inches
Millimeters

BDZW5

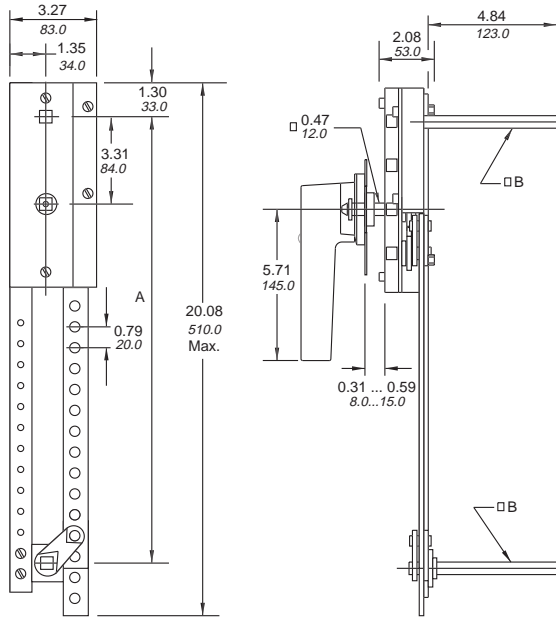


BDZW9 and CDZW9



Approximate Dimensions – Transfer Switches

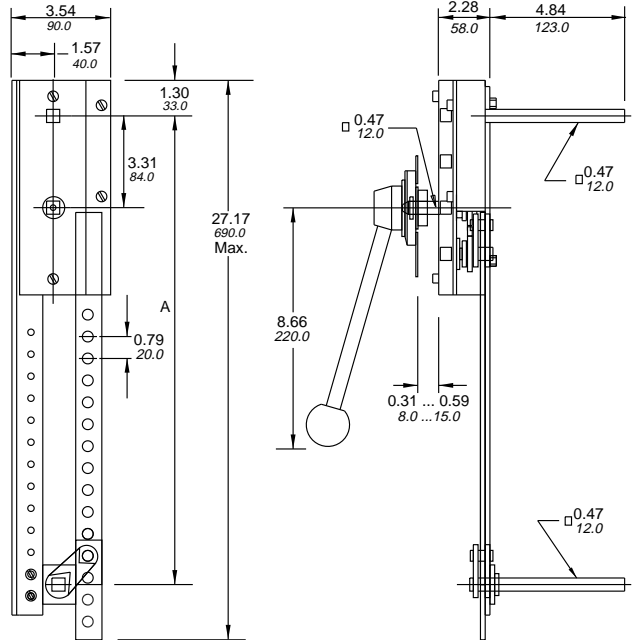
BDZW11



A = 8.27 + 11 steps of 0.79
210.0 20.0

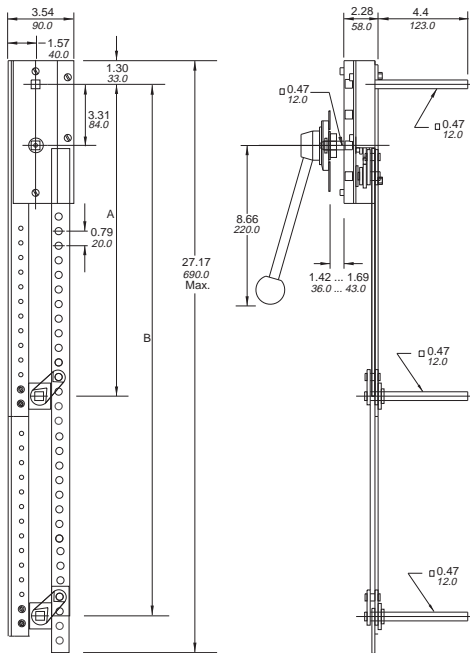
B = BDZW11 = 0.47
12.0
BDZW20 = 0.31
8.0

BDZW12



A = 8.27 + 18 steps of 0.79
210.0 20.0

BDZW13



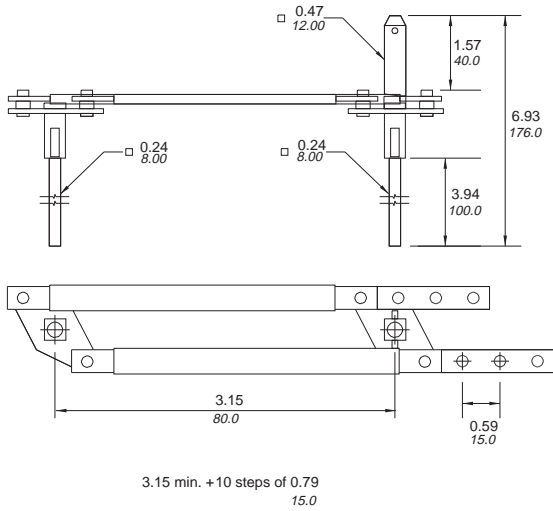
A = 8.27 + 18 steps of 0.79
210.0 20.0
B = 9.84 + 18 steps of 0.79
250.0 20.0

← 00.00 → Inches
00.00 → Millimeters

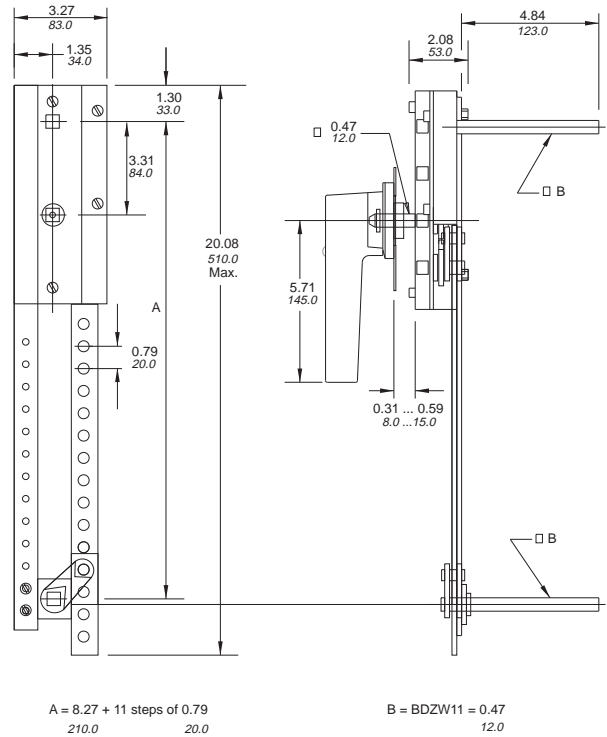
Approximate Dimensions - Transfer Switches

← 00.00 00.00 → Inches
Millimeters

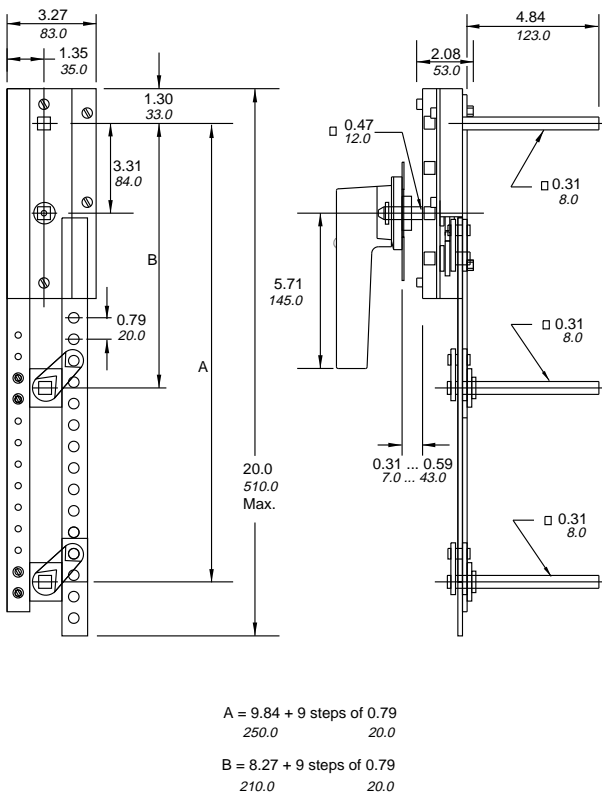
BDZW18



BDZW20



BDZW21



Headquarters

Cooper Industries
Bussmann Division
P.O. Box 14460
St. Louis, Missouri 63178-4460, USA
Telephone: 314 394 2877
Facsimile: 800 544 2570

Bussmann Circuit Components

7300 West Wilson Avenue
Chicago, IL 60656-4793, USA
Telephone: 708 867 4600
Facsimile: 708 867 2211

European Headquarters

Bussmann Division
Cooper (U.K.) Limited
Burton-on-the-Wolds
Leicestershire LE12 5th, England
Telephone: 44 1509 882737
Facsimile: 44 1509 882786

Bussmann Asia Pacific

331 North Bridge Road
#03-02 Odeon Towers
Singapore 188720
Republic of Singapore
Telephone: 65 336 3610
Facsimile: 65 336 4810

Bussmann Australia

Dock 5, Block X
391 Park Road
P.O. Box 257
Regents Park, Sydney
NSW 2143, Australia
Telephone: 61 2 9743 8333
Facsimile: 61 2 9743 8070

Bussmann Brasil

Bussmann do Brasil Ltda.
Rodovia Santos Dumont, Km 23
Cruz das Almas
Itu-Sao Paulo 13 300-000
Brasil
Telephone: 55 11 7824 1856
Facsimile: 55 11 7824 1721

Bussmann Denmark

5 Literbuen
DK-2740 Skovlunde
Copenhagen, Denmark
Telephone: 45 4485 0900
Facsimile: 45 4485 0901

Bussmann France

Tour Mattei
207 Rue de Bercy
75587 Paris Cedex 12
France
Telephone: 33 1 4475 0033
Facsimile: 33 1 4475 0420

Bussmann Germany

Frankfurter Landstrasse 19
64546 Mörfelden
Germany
Telephone: 49 6105 951509
Facsimile: 49 6105 951510

Bussmann India

2nd Floor, Unit #5
White House
23-29, St. Marks Road
Bangalore – 560-001
India
Telephone: 91 80 227 0893
Facsimile: 91 80 224 0124

Bussmann Mexico

Arrow-Hart S.A. de C.V.
Poniente 148, No. 933
02300 Mexico, D.F. Mexico
Telephone: 52 5 587 0211
Facsimile: 52 5 567 4049



Bussmann