

16-Bit Stereo Audio Codec

Complete CMOS Stereo Audio Input and Output System featuring:

- Delta-Sigma A/D and D/A Converters using 64x Oversampling.
- Input Anti-Aliasing and Output Smoothing Filters.
- Programmable Input Gain (0 dB to 22.5 dB).
- Programmable Output Attenuation (0 dB to 46.5 dB).
- Sample frequencies from 4 kHz to 50 kHz.
- Low Distortion, THD < 0.02% for DAC. THD < 0.02% for ADC.
- Low Power Dissipation: 80 mA typical.
- Power-Down Mode : 1 mA typical.
- Pin Compatible with CS4216 when used in Serial Modes 3 and 4 (See Appendix A).
- I²S(TM) Compatible Serial Mode (SM5).
- Operates from 5V or 3.3V Digital Power Supply. Requires 5V Analog Power Supply.

General Description

The CS4218 Stereo Audio Codec is a monolithic CMOS device for computer multimedia, automotive, and portable audio applications. It performs A/D and D/A conversion, filtering, and level setting, creating 4 audio inputs and 2 audio outputs for a digital computer system. The digital interfaces of left and right channels are multiplexed into a single serial data bus with word rates up to 50 kHz per channel.

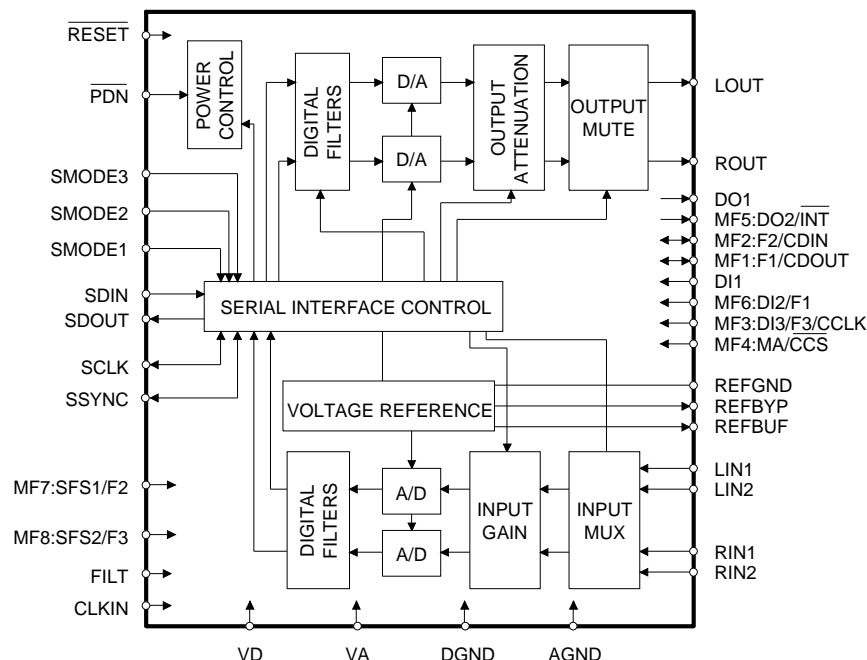
ADCs and the DACs use delta-sigma modulation with 64X oversampling. The ADCs and DACs include digital decimation filters and output smoothing filters on-chip which eliminate the need for external anti-aliasing filters.

The CS4218 is pin and function compatible with the CS4216 when used in Serial modes 3 and 4. See the Appendix A at the end of this data sheet for details.

I²S is a trademark of Philips.

Ordering Information:

CS4218-KL	0° to 70°C	44-pin PLCC
CS4218-KQ	0° to 70°C	44-pin TQFP



Contents

Description	
Cover	1
Contents	2
Recommended Operating Conditions	3
Analog Input Characteristics	3
Analog Output Characteristics	4
Switching Characteristics	5
Digital Characteristics	7
A/D Decimation Filter Characteristics	8
D/A Interpolation Characteristics	8
Absolute Maximum Ratings	8
Filter Response Plots	9
Typical Connection Diagram	11
Overview	12
Functional Description	12
- Analog Inputs and Outputs	12
- Offset Calibration	13
- Input Gain and Output Level Setting	13
- Muting and the ADC Valid Counter	13
- Parallel Digital I/O Pins	13
- Reset and Power Down Modes	13
- Audio Serial Interface	14
Serial Interface Modes	15
- Serial Mode 3	15
- Serial Mode 4	22
- Serial Mode 5	25
Power Supply and Grounding	26
Pin Diagrams and Descriptions	29
Package Information	35
Parameter Definitions	36
Appendix A: CS4218 Compatibility with the CS4216	38
Appendix B: Applications of Serial Mode 4 (SM4)	40
Appendix C: Setting CLKIN/SCLK Ratio for Desired Sample Rate	43

RECOMMENDED OPERATING CONDITIONS (AGND, DGND = 0V, all voltages with respect to 0V.)

Parameter	Symbol	Min	Typ	Max	Units	
Power Supplies:	Digital	VD	4.75	5.0	5.25	V
	Digital (Low Voltage)	VD	3.0	3.3	3.6	V
	Analog	VA	4.75	5.0	5.25	V
Operating Ambient Temperature	T _A	0	25	70	°C	

ANALOG CHARACTERISTICS (T_A = 25°C; VA, VD = +5V; Input Levels: Logic 0 = 0V, Logic 1 = VD; 1kHz Input Sine Wave; CLKIN = 12.288 MHz; SM3 Slave sub-mode, 256 BPF; 0dB gain/attenuation; Conversion Rate = 48 kHz; SCLK = 12.288 MHz; Measurement Bandwidth is 10 Hz to 20 kHz; Unless otherwise specified.)

Parameter *	Symbol	Min	Typ	Max	Units
Analog Input Characteristics - Minimum gain setting (0 dB); unless otherwise specified.					
ADC Resolution		16	-	-	Bits
ADC Differential Nonlinearity (Note 1)		-	-	±0.9	LSB
Instantaneous Dynamic Range (Note 3)	IDR	80	84	-	dB
Total Harmonic Distortion	THD	-	-	0.02	%
Interchannel Isolation		-	80	-	dB
Interchannel Gain Mismatch		-	-	±0.5	dB
Frequency Response (Note 1)		-0.5	-	+0.2	dB
Programmable Input Gain		-	22.5	-	dB
Gain Step Size		-	1.5	-	dB
Absolute Gain Step Error		-	-	0.75	dB
Gain Drift (Note 1)		-	100	-	ppm/°C
Offset Error	0dB Gain	-	-	±50	LSB
	22.5dB Gain	-	-	±500	LSB
Full Scale Input Voltage		2.5	2.8	3.1	V _{pp}
Input Resistance (Notes 1,2)		20	-	-	kΩ
Input Capacitance (Note 1)		-	-	15	pF

- Notes: 1. This specification is guaranteed by characterization, not production testing.
 2. Input resistance is for the input selected. Non-selected inputs have a very high (>1MΩ) input resistance.
 3. Operation in Slave sub-modes may yield results lower than the 80 dB minimum.

* Parameter definitions are given at the end of this data sheet.

Specifications are subject to change without notice.

ANALOG CHARACTERISTICS (Continued)

Parameter *	Symbol	Min	Typ	Max	Units
Analog Output Characteristics - Minimum Attenuation; Unless Otherwise Specified.					
DAC Resolution		16	-	-	Bits
DAC Differential Nonlinearity (Note 1)		-	-	±0.9	LSB
Total Dynamic Range	TDR	-	93	-	dB
Instantaneous Dynamic Range	IDR	80	83	-	dB
Total Harmonic Distortion (Note 4)	THD	-	-	0.02	%
Interchannel Isolation (Note 4)		-	80	-	dB
Interchannel Gain Mismatch		-	-	±0.5	dB
Frequency Response (Note 1)		-0.5	-	+0.2	dB
Programmable Attenuation (Note 5)		-	-46.5	-	dB
Attenuation Step Size (Note 5)		-	1.5	-	dB
Absolute Attenuation Step Error (Note 5)		-	-	0.75	dB
Gain Drift (Note 1)		-	100	-	ppm/°C
REFBUF Output Voltage (Note 6) Maximum output current= 400 µA		1.9	2.1	2.3	V
Offset Voltage (Note 7)		-	10	-	mV
Full Scale Output Voltage (Note 4)		2.4	2.7	3.1	V _{pp}
External Load Impedance		10k	-	-	Ω
Internal Resistor Value for LOUT and ROUT		400	600	800	Ω
Deviation from Linear Phase (Note 1)		-	-	1	Degree
Out of Band Energy (22 kHz to 100 kHz)		-	-60	-	dB
Power Supply					
Power Supply Current (Note 8)	Operating (VD = 5.0V)	-	80	100	mA
	Operating (VD = 3.3V)	-	65	85	mA
	Power Down	-	-	1	mA
Power Supply Rejection (1 kHz)		-	40	-	dB

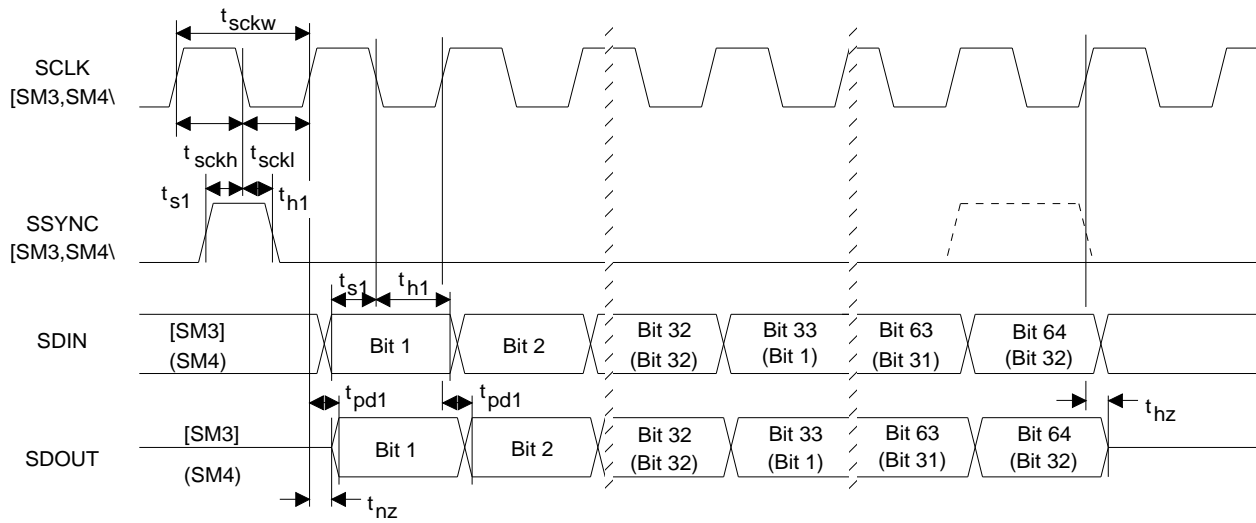
- Notes:
- 10 kΩ, 100 pF load.
 - Tested in SM3, Slave sub-mode, 256 BPF.
 - REFBUF load current must be DC. To drive dynamic loads, REFBUF must be buffered. AC variations in REFBUF current may degrade ADC and DAC performance.
 - No DC load.
 - Typical current: VA = 30mA, VD = 50mA with VD = 5.0V. VA = 30mA, VD = 35mA with VD = 3.3V. Power supply current does not include output loading.

* Parameter definitions are given at the end of this data sheet.

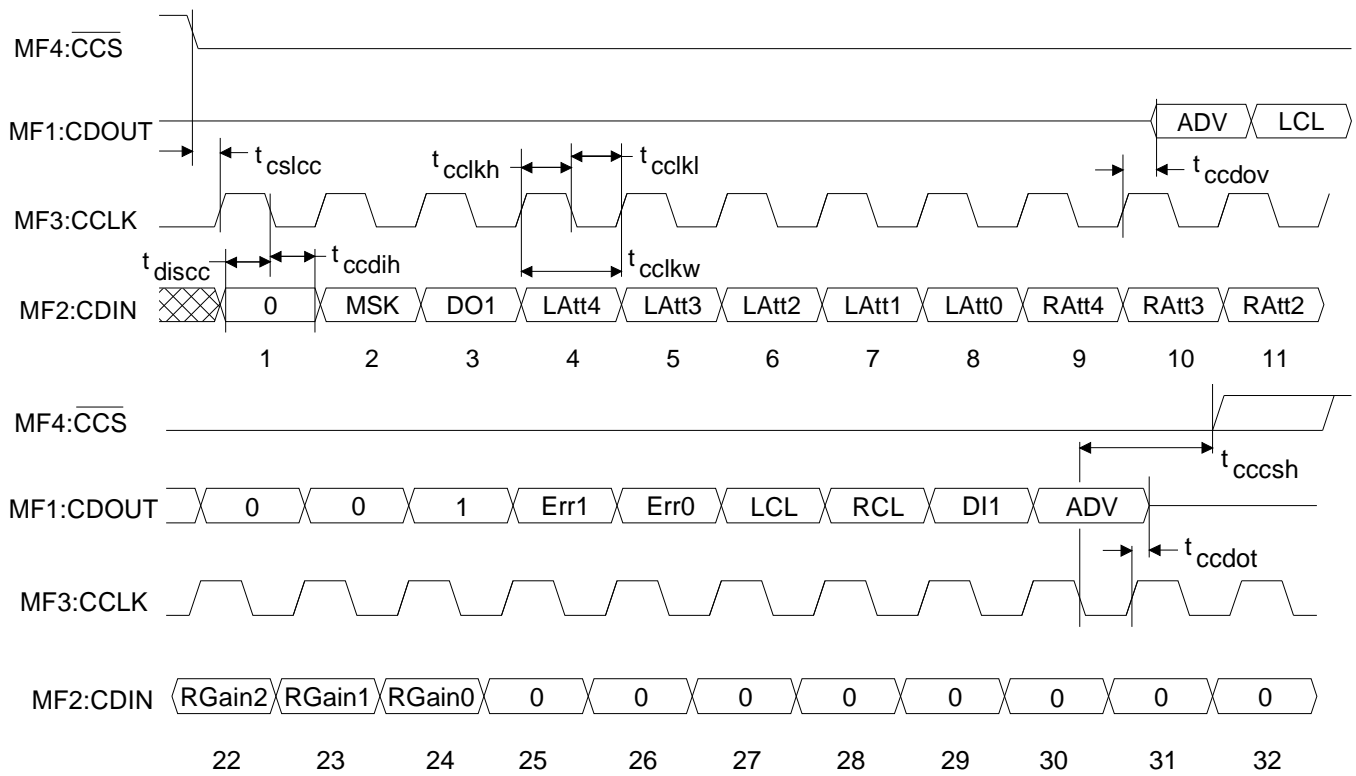
SWITCHING CHARACTERISTICS ($T_A = 25^\circ\text{C}$; $V_A, V_D = +5\text{V}$, outputs loaded with 30 pF; Input Levels: Logic 0 = 0V, Logic 1 = VD)

Parameter	Symbol	Min	Typ	Max	Units
Input clock (CLKIN) frequency SM3 Multiplier Mode SM3 Master and Slave Modes, SM4, SM5	CLKIN	64	768	800	KHz
	CLKIN	1.024	12.288	12.8	MHz
CLKIN low time	t _{ckl}	15	-	-	ns
CLKIN high time	t _{ckh}	15	-	-	ns
Sample Rate (Note 1)	F _s	4	-	50	kHz
DI pins setup time to SCLK edge (Note 1)	t _{s2}	10	-	-	ns
DI pins hold time from SCLK edge (Note 1)	t _{h2}	8	-	-	ns
DO pins delay from SCLK edge	t _{pd2}	-	-	30	ns
SCLK and SSYNC output delay from CLKIN rising All master Modes (Note 1)	t _{pd3}	-	-	50	ns
SCLK period All master Modes (Notes 1,7) Slave Mode	t _{sckw}	-	1/(F _s *bpf)	-	s
		75	-	-	ns
SCLK high time Slave Mode	t _{sckh}	30	-	-	ns
SCLK low time Slave Mode	t _{sckl}	30	-	-	ns
SDIN, SSYNC setup time to SCLK edge Slave Mode	t _{s1}	15	-	-	ns
SDIN, SSYNC hold time from SCLK edge Slave Mode	t _{h1}	10	-	-	ns
SDOUT delay from SCLK edge	t _{pd1}	-	-	28	ns
Output to Hi-Z state bit 64 (Note 1)	t _{hz}	-	-	12	ns
Output to non-Hi-Z bit 1 (Note 1)	t _{nz}	15	-	-	ns
RESET pulse width low		500	-	-	ns
CCS low to CCLK rising SM4 (Note 1)	t _{cslcc}	25	-	-	ns
CDIN setup to CCLK falling SM4 (Note 1)	t _{discc}	15	-	-	ns
CCLK low to CDIN invalid (hold time) SM4 (Note 1)	t _{ccdiH}	10	-	-	ns
CCLK high time SM4 (Note 1)	t _{cclHh}	25	-	-	ns
CCLK low time SM4 (Note 1)	t _{cclHl}	25	-	-	ns
CCLK Period SM4 (Note 1)	t _{cclkw}	75	-	-	ns
CCLK rising to CDOUT data valid SM4 (Note 1)	t _{ccdov}	-	-	30	ns
CCLK rising to CDOUT Hi-Z SM4 (Note 1)	t _{ccdot}	-	-	30	ns
CCLK falling to CCS high SM4 (Note 1)	t _{cccsh}	0	-	-	ns
RESET low time prior to PDN rising	t _{rph}	100	-	-	ns
RESET low hold time after PDN rising	t _{rhold}	50	-	-	ms

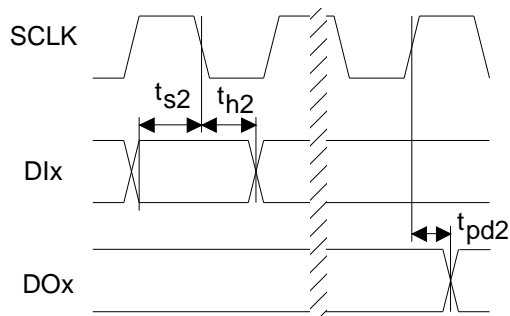
Notes: 7. When the CS4218 is in master modes (SSYNC and SCLK outputs), the SCLK duty cycle is 50%.
The equation is based on the selected sample frequency (F_s) and the number of bits per frame (bpf).



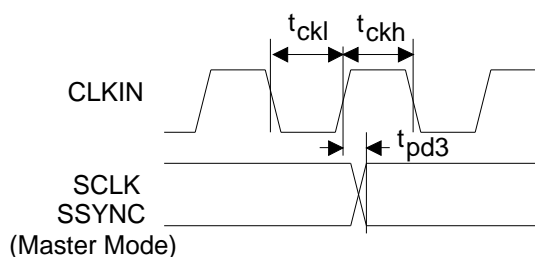
Serial Audio Port Timing



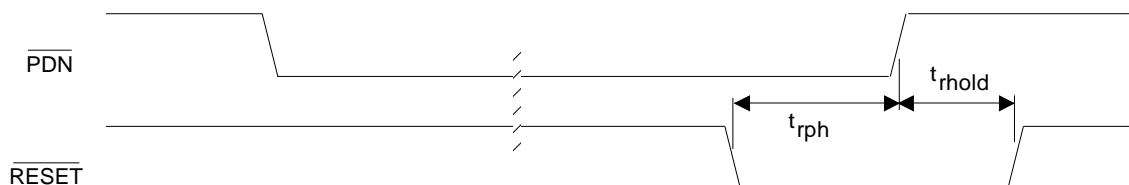
Serial Mode 4. Control Data Serial Port Timing



DI/DO Timing



SCLK & SSYNC Output Timing (Master Mode)



Power Down Mode Timing

DIGITAL CHARACTERISTICS ($T_A = 25^{\circ}\text{C}$; $V_A = 5\text{V}$, $V_D = 5\text{V}$ or 3.3V)

Parameter	Symbol	Min	Typ	Max	Units
High-level Input Voltage	V_{IH}	2.0	-	$V_D+0.3$	V
Low-level Input Voltage	V_{IL}	-0.3	-	0.8	V
High-level Output Voltage at $I_O = -2.0\text{ mA}$	V_{OH}	$V_D-0.3$	-	-	V
Low-level Output Voltage at $I_O = +2.0\text{ mA}$	V_{OL}	-	-	0.2	V
Input Leakage Current (Digital Inputs)		-	-	10	μA
Output Leakage Current (High-Z Digital Outputs)		-	-	10	μA
Output Capacitance (Note 1)	C_{OUT}	-	-	15	pF
Input Capacitance (Note 1)	C_{IN}	-	-	15	pF

A/D Decimation Filter Characteristics

Parameter	Symbol	Min	Typ	Max	Units
Passband		0	-	0.40Fs	Hz
Frequency Response		-0.5	-	+0.2	dB
Passband Ripple (0-0.4Fs)		-	-	±0.1	dB
Transition Band		0.40Fs	-	0.60Fs	Hz
Stop Band		0.60Fs	-	-	Hz
Stop Band Rejection		74	-	-	dB
Group Delay		-	-	8/Fs	s
Group Delay Variation vs. Frequency		-	-	0.0	µs

D/A Interpolation Filter Characteristics

Parameter	Symbol	Min	Typ	Max	Units
Passband		0	-	0.40Fs	Hz
Frequency Response		-0.5	-	+0.2	dB
Passband Ripple (0-0.4Fs)		-	-	±0.1	dB
Transition Band		0.40Fs	-	0.60Fs	Hz
Stop Band		0.60Fs	-	-	Hz
Stop Band Rejection		74	-	-	dB
Group Delay		-	-	8/Fs	s
Group Delay Variation vs. Frequency		-	-	0.1/Fs	µs

ABSOLUTE MAXIMUM RATINGS (AGND, DGND = 0V, all voltages with respect to 0V.)

Parameter	Symbol	Min	Typ	Max	Units
Power Supplies:	Digital VD	-0.3	-	6.0	V
	Analog VA	-0.3	-	6.0	V
Input Current (Except Supply Pins)		-	-	±10.0	mA
Analog Input Voltage		-0.3	-	VA+0.3	V
Digital Input Voltage		-0.3	-	VD+0.3	V
Ambient Temperature (Power Applied)		-55	-	+125	°C
Storage Temperature		-65	-	+150	°C

Warning: Operation beyond these limits may result in permanent damage to the device.
Normal operation is not guaranteed at these extremes.

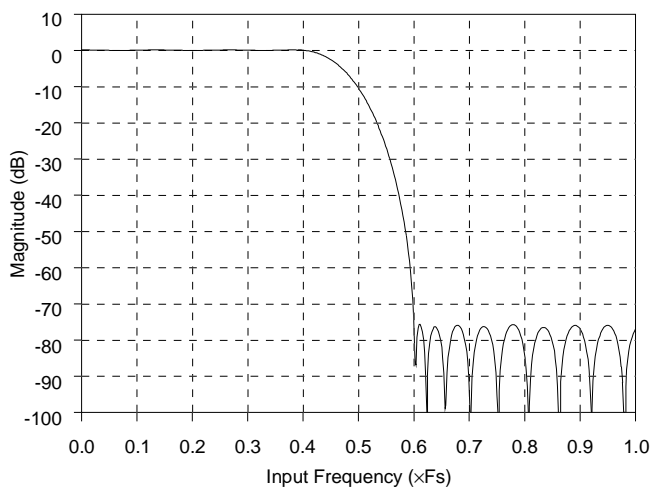


Figure 1. CS4218 ADC Frequency Response

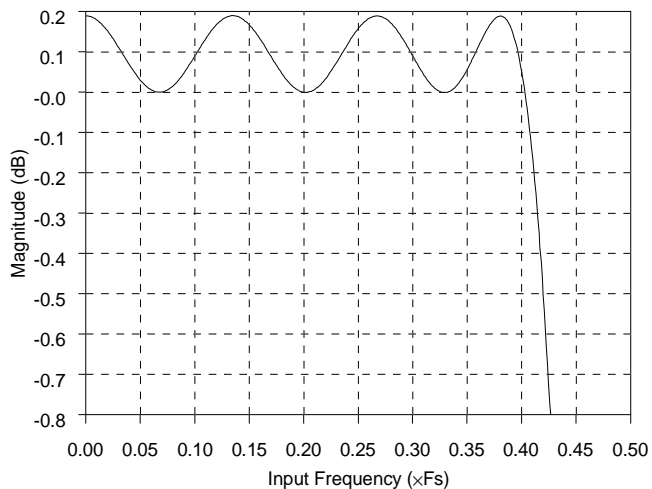


Figure 2. CS4218 ADC Passband Ripple

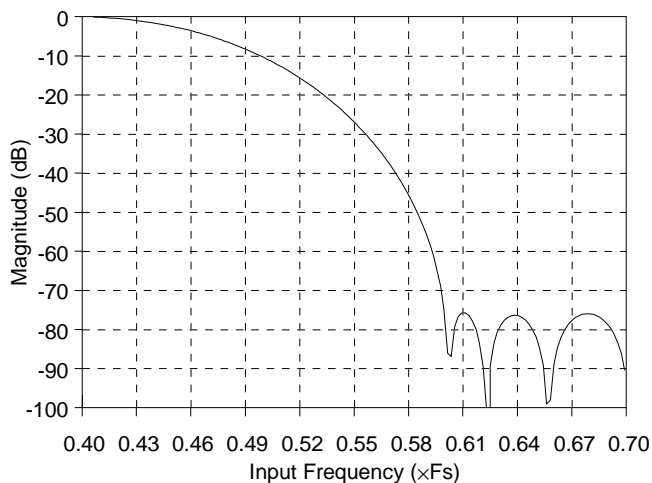


Figure 3. CS4218 ADC Transition Band

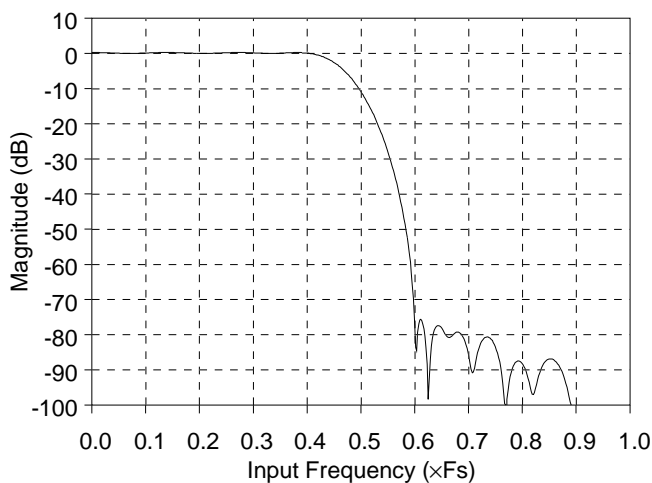


Figure 4. CS4218 DAC Frequency Response

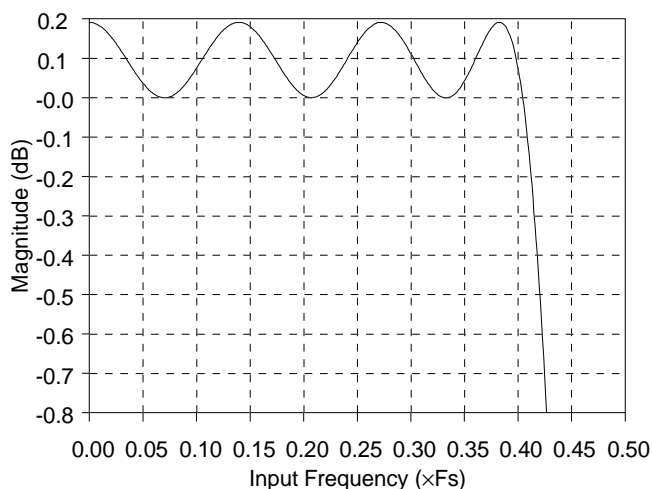


Figure 5. CS4218 DAC Passband Ripple

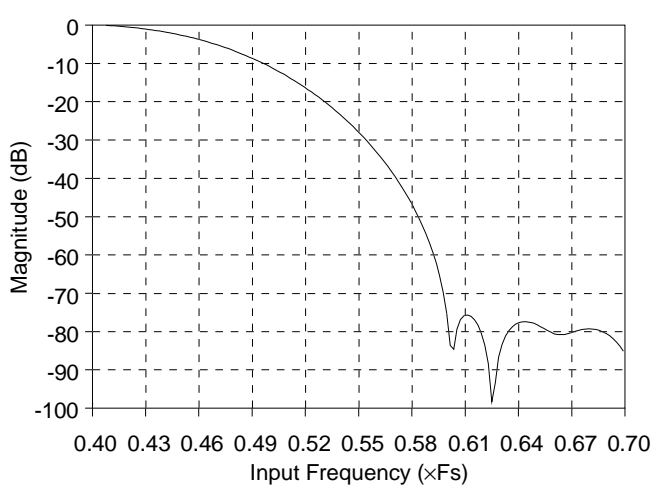


Figure 6. CS4218 DAC Transition Band

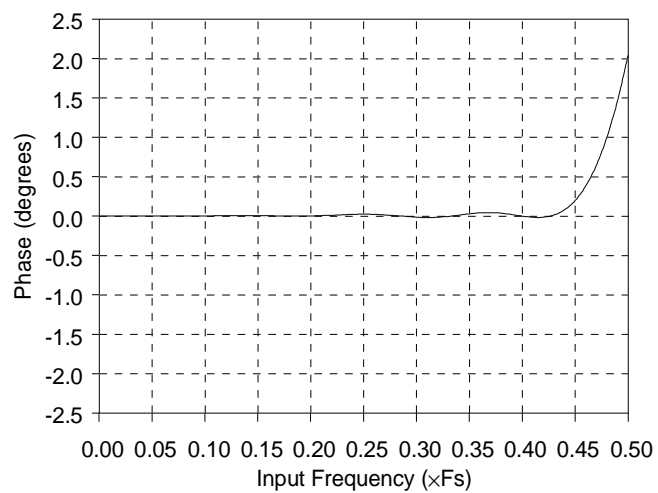


Figure 7. CS4218 DAC Deviation from Linear Phase

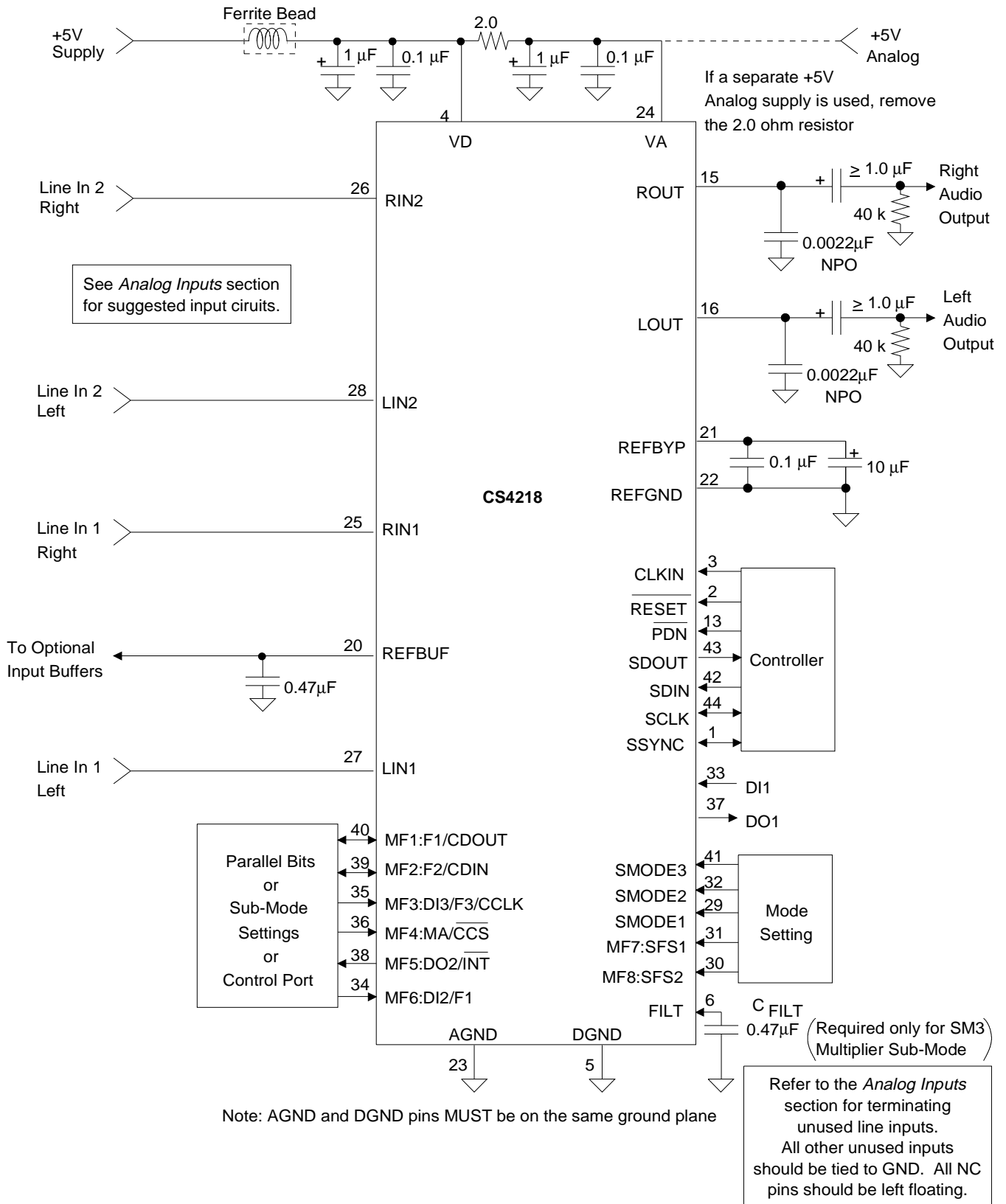


Figure 8. Typical Connection Diagram

OVERVIEW

The CS4218 contains two analog-to-digital converters, two digital-to-analog converters, adjustable input gain, and adjustable output level control. Since the converters contain all the required filters in digital or sampled analog form, the filters' frequency responses track the sample rate of the CS4218. Only a single-pole RC filter is required for the analog inputs and outputs. Communication with the CS4218 is via a serial port, with separate pins for data input and output. The filters and converters operate over a sample rate range of 4 kHz to 50 kHz.

FUNCTIONAL DESCRIPTION

Analog Inputs and Outputs

Figure 8 illustrates the suggested connection diagram for the CS4218. The line level inputs, LIN1 or LIN2 and RIN1 or RIN2, are selected by an internal input multiplexer. This multiplexer is a source selector and is not designed for real-time switching between inputs at the sample rate.

When using the CS4218 as a drop-in replacement for the CS4216, existing recommended circuits (shown in the CS4216 data sheet) may be used as is without any noticeable degradation in performance. Performance may vary with user-specific input circuits and should be checked when contemplating the use of CS4218 in existing CS4216 designs.

Unused analog inputs that are not selected have a very high input impedance, so they may be tied to AGND directly. Unused analog inputs that are selected should be tied to AGND through a 0.1 μF capacitor. This prevents any DC current flow.

The analog inputs are single-ended and internally biased to the REFBUF voltage (nominally

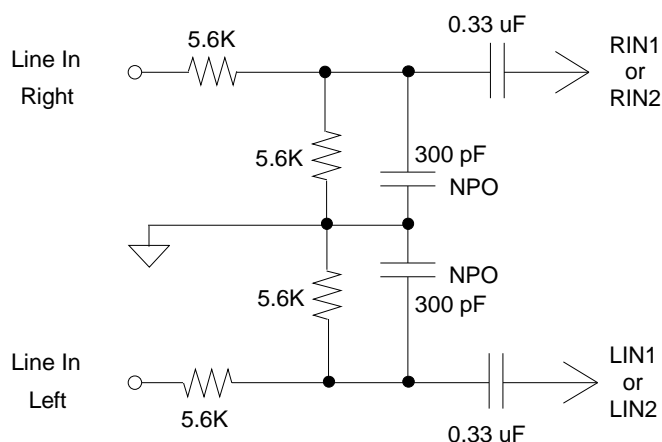


Figure 9. Line Inputs.

2.1 V). The REFBUF output should be buffered if it is to be used for microphone phantom power.

The use of a single-pole RC filter is recommended for use as an external anti-alias filter for the CS4218. The maximum cutoff frequency (lowpass) should not exceed 200 kHz. A lower value for cutoff frequency may be used, and is dependent upon the application's input bandwidth.

The CS4218 inputs will accept a 1V_{rms} signal, so a divide by two resistor network will serve as a front-end interface to 2 V_{rms} line level systems. Figure 9 shows a simple input circuit that includes a gain of 0.5 and the required RC filter. The gain of 0.5 yields a full scale input sensitivity of 2 V_{rms} with the CS4218 programmable gain set to 0.

The analog outputs are also single-ended and centered around the REFBUF voltage. AC coupling capacitors of >1 μF are recommended. Refer to Figure 8 for the recommended analog output circuit.

When using the CS4218 as a drop-in replacement for the CS4216, the external 600 ohm series resistors on LOUT and ROUT are not required, since they are part of the CS4218 internal circuitry.

In applications where both CS4218 and CS4216 are to be used, a board stuff option should be included in the bill of materials which will allow either a 600-ohm or a 0-ohm resistor to be used externally on both LOUT and ROUT.

Offset Calibration

Both input and output offset voltages are minimized by internal calibration. Offset calibration occurs after exiting a reset or power down condition. During calibration, which takes 194 frames, output data from the ADCs will be all zeros, and will be flagged as invalid. Also, the DAC outputs will be muted. After power down mode or power up, $\overline{\text{RESET}}$ should be held low for a minimum of 50 ms to allow the voltage reference to settle. Changing sample rates in master and slave modes automatically initiates a calibration.

Input Gain and Output Level Setting

Input gain is adjustable from 0 dB to +22.5 dB in 1.5 dB steps. Output level attenuation is adjustable from 0 dB to -46.5 dB in 1.5 dB steps. Both input and output gain adjustments are internally made on zero-crossings of the analog signal, to minimize "zipper" noise. The gain change automatically takes effect if a zero crossing does not occur within 512 frames.

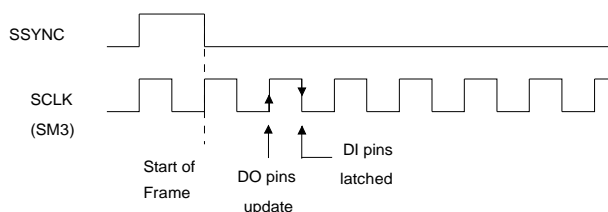


Figure 10. Digital Input/Output Timing

Muting and the ADC Valid Counter

The mute function allows the the user to turn off the output channels (LOUT and ROUT). Prior to muting, the attenuation should be gradually ramped to maximum (46.5 dB), taking 1.5dB steps. This significantly reduces any audible artifacts that may be heard once muting is enabled. It is the users responsibility to program the serial host to perform the ramping.

The serial data stream contains a "Valid Data" indicator, the ADV bit, for the A/D converters which is low until enough clocks have passed since reset, or low-power (power down mode) operation to have valid A/D data from the filters (i.e., until calibration time plus the full latency of the digital filters has passed.)

Parallel Digital Input/Output Pins

Parallel digital inputs are general purpose pins whose values are reflected in the serial data output stream to the processor. Parallel digital outputs provide a way to control external devices using bits in the serial data input stream. All parallel digital pins, with the exception of DI1 and DO1, are multifunction and are defined by the serial mode selected. In Serial Mode 3 master modes and Serial Mode 5, two digital inputs and two digital outputs are available. In Serial Mode 3 slave modes, three digital inputs and two digital outputs are available. In Serial Mode 4 only one digital input and digital output exists. Figure 10 shows when the DI pins are latched, and when the DO pins are updated.

Reset and Power Down Modes

Reset places the CS4218 into a known state and must be held low for at least 50 ms after power-up or a hard power down. In reset, the digital outputs are driven low. Reset sets all control data register bits to zero. Changing sample rates in

master and slave modes automatically initiates a calibration.

An RC filter with a time constant greater than 50 ms may be used on the $\overline{\text{RESET}}$ pin. The CS4218 $\overline{\text{RESET}}$ pin has hysteresis to ensure proper resets when using an RC filter.

Hard power down mode may be initiated by bringing the $\overline{\text{PDN}}$ pin low. All analog outputs will be driven to the REFBUF voltage which will then decay to zero. All digital outputs will be driven low and then will go to a high impedance state. Minimum power consumption will occur if CLKIN is held low. After leaving the power down state, $\overline{\text{RESET}}$ should be held low for 50 ms to allow the analog voltage reference to settle before calibration is started.

Alternatively, soft power down may be initiated in slave modes by reducing the SCLK frequency below the minimum values shown in Table 1. In soft power down the analog outputs are muted and the serial data from the codec will indicate invalid data and the appropriate error code. The parallel bit I/O is still functional in soft power down mode. This is, in effect, a low power mode with only the parallel bit I/O unit functioning.

Bits Per Frame	Minimum SCLK Frequency
For All Modes Except SM3 Multiplier Sub Mode	
32	CLKIN / 96
64	CLKIN / 48
128	CLKIN / 24
256	CLKIN / 12
SM3 Multiplier Sub Mode	
64	(16 * CLKIN) / 48
128	(16 * CLKIN) / 24
256	(16 * CLKIN) / 12

Table 1. Soft Power Down Conditions
(Slave Modes only)

Audio Serial Interface

In Serial Mode 3 (SM3), the audio serial port uses 4 pins: SDOUT, SDIN, SCLK and SSYNC. SDIN carries the D/A converters' input data and control bits. Input data is ignored for frames not allocated to the selected CS4218. SDOUT carries the A/D converters' output data and status bits. SDOUT goes to a high-impedance state during frames not allocated to the selected CS4218. SCLK clocks data in to and out of the CS4218. SSYNC indicates the start of a frame and/or sub-frame. SCLK and SSYNC must be synchronous to the master clock.

Serial Mode 4 (SM4) is similar to SM3 with the exception of the control information. In Serial Mode 4, the control information is entered through a separate asynchronous control port. Therefore, the audio serial port only contains audio data, which reduces the number of bits on the audio port from 64 to 32 per codec. This is useful for lower bit rate serial hosts.

Serial Mode 5 (SM5) is compatible with the I²S™ serial data protocol. SM5 is a Master mode only. As in SM3, 4 pins are used: SDOUT, SDIN, SCLK, and SSYNC.

The serial port protocol is based on frames consisting of 1, 2, or 4 sub-frames. The frame rate is the system sample rate. Each sub-frame is used by one CS4218 device. Up to 4 CS4218s may be attached to the same serial control lines. SFS1 and SFS2 are tied low or high to indicate to each CS4218 which sub-frame is allocated for it to use.

Serial Data Format

In SM3 and SM5, a sub-frame is 64 bits in length and consists of two 16-bit audio values and two 16-bit control fields. In SM4 a sub-frame is 32 bits in length and only contains the two 16-bit audio fields; the control data is loaded through a separate port. The audio data is MSB

first, 2's complement format. Sub-frame bit assignments are shown in Figure 13. Control data bits all reset to zero.

CS4218 SERIAL INTERFACE MODES

The CS4218 has three serial port modes, selected by the SMODE1, SMODE2 and SMODE3 pins. In all modes, CLKIN, SCLK and SSYNC must be derived from the same clock source. SM3 was designed as an easy interface to general purpose DSPs and provides features such as master and slave sub-modes and variable frame sizes. SM4 is similar to SM3 but splits the audio data from the control data thereby reducing the audio serial bus bandwidth by half. The control data is transmitted through a control serial port in SM4. SM5 is compatible with the I²S serial data protocol.

Table 2 lists the three serial port modes available, along with some of the differences between modes. The first three columns in Table 2 select the serial mode. The "SCLK Bit Center" column indicates whether SCLK is rising or falling in the center of a bit period. The "Sub-frame Width" column indicates how many bits are in an individual codec's sub-frame. In SM3 and SM4, the number of bits per frame is programmable. In all modes, SCLK and SSYNC must be synchronous to the master clock. The last column in Table 2 lists the master frequencies used by the codec. In the SM3 Multiplier sub-modes,

the master CLKIN is multiplied internally by 16, so a 16xFs input clock must be provided.

SERIAL MODE 3, (SM3)

Serial Mode 3, Master and Slave sub-modes are enabled by setting SMODE3 = 0, SMODE2 = 1 and SMODE1 = 0. SM3 Multiplier Sub-Modes are enabled by setting SMODE 3 = 0, SMODE 2 = 0, and SMODE 1 = 0. Serial Mode 3 is designed to interface easily to DSPs.

Figure 11 illustrates the serial data in, SDIN, sub-frame for all SM3 sub-modes. Figure 12 also illustrates the serial data out, SDOUT, sub-frame for all SM3 sub-modes. Figure 13 shows sub-frame bit definitions.

In SM3 master sub-modes, MF5:DO2 is a general purpose output and MF6:DI2 is a general purpose input. The other six multifunction pins are used to select sub-modes under SM3. In SM3 slave sub-modes, MF3:F3 is configured as an additional general purpose input.

SM3 is divided into four sub-modes, Master (SM3-M), Slave (SM3-S), Multiplier Master (SM3-MM), and Multiplier Slave (SM3-MS). SM3-M and SM3-S are identical to the CS4216 SM3 Master and Slave sub-modes, respectively. In SM3-M and SM3-MM sub-modes, the CS4218 generates SSYNC and SCLK, while in SM3-S and SM3-MS sub-modes SSYNC and

SMODE PINS			Serial Mode	SCLK Bit Center	Sub-frame Width	Bits per Frame (BPF)	SCLK & SSYNC	Master Frequency	
3	2	1							
0	0	0	SM3*	Falling	64 bits	64/128/256	Master/Slave	CLKIN = 16xFs	
0	0	1	SM5	Rising	64 bits	64	Master	CLKIN = 256xFs	
0	1	0	SM3	Falling	64 bits	64/128/256	Master/Slave	CLKIN or SCLK = 256xFs	
0	1	1	Factory Test mode						
1	x	x	SM4	Falling	32 bits [†]	32/64/128 [†]	Master/Slave	CLKIN = 256xFs	

[†] Contains audio data only. Control information is entered through a separate serial port.

* SM3 Multiplier sub-modes.

Table 2. Serial Port Modes

SCLK must be generated externally. When the codec is the serial port master, the serial port signal transitions are controlled with respect to the internal analog sampling clock to minimize the amount of digital noise coupled into the analog section. Since SSYNC and SCLK are externally derived when the codec slaves to the serial port, optimum noise management cannot be obtained; therefore, master modes should be used whenever possible. Multiplier sub-modes are identical to the SM3 modes except the master clock, CLKIN, is internally multiplied by 16. A 0.47 μ F capacitor must be tied to the FILT pin when using the Multiplier sub-modes.

Master Clock Frequency

In SM3-M and SM3-S sub-modes, the master clock, CLKIN, must be $256 \times F_{s_{max}}$. For example, given a 48 kHz maximum sample frequency, the master clock frequency must be 12.288 MHz. In SM3-MM and SM3-MS sub-modes, CLKIN must be $16 \times F_{s_{max}}$. For example, given a 48 kHz maximum sample frequency, the master clock frequency must be 768 kHz. SCLK and SSYNC must be synchronous to the master clock.

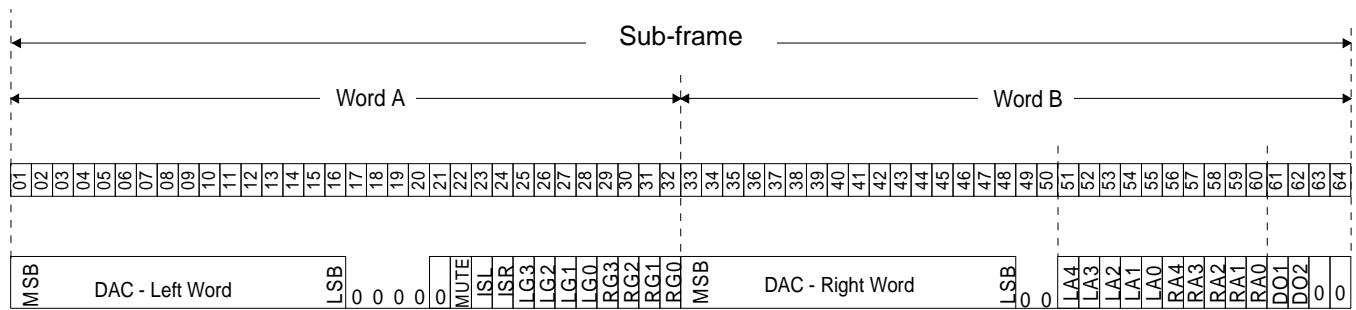


Figure 11. Serial Data Input Format - SM3, SM5.

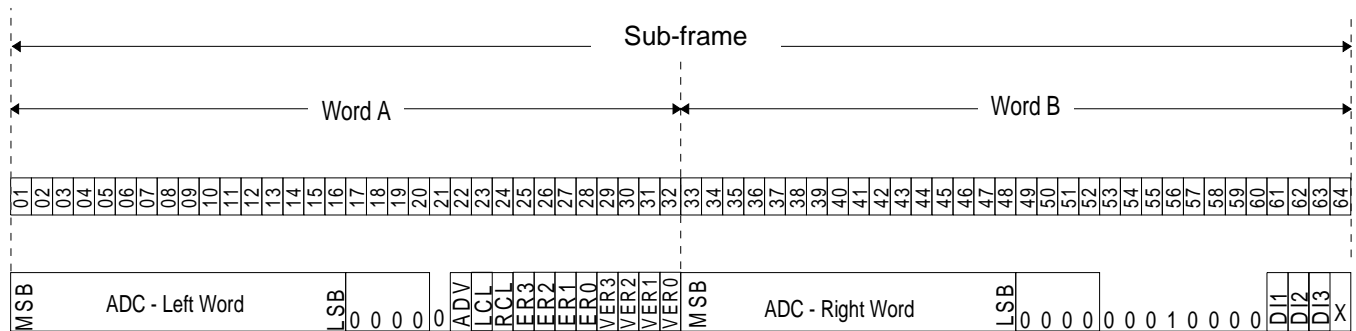


Figure 12. Serial Data Output Format - SM3, SM5.

SM3 and SM5 Subframe Bit Definitions for SDIN					
Bit(s)	Symbol	Description	Bit(s)	Symbol	Description
1-16	DAC-LEFT	Audio Data, DAC Left 2's Complement data, MSB first (Bit 1 = MSB)	33-48	DAC-RIGHT	Audio Data, DAC Right 2's Complement data, MSB first (Bit 33 = MSB)
17-21	unused	Unused, write with 0's	49,50	unused	Unused, write with 0's
22	MUTE	Mute DAC Outputs 0 = Outputs ON 1 = Outputs MUTED	51 - 55	LA4 - LA0	Left Output Attenuation 1.5dB Increments. 00000 = no atten. (0dB) 11111 = 46.5dB atten.
23	ISL	Input Mux, Left Select 0 = LIN1 1 = LIN2	56 - 60	RA4 - RA0	Right Output Attenuation 1.5dB Increments. 00000 = no atten. (0dB) 11111 = 46.5dB atten.
24	ISR	Input Mux, Right Select 0 = RIN1 1 = RIN2	61	DO1	Digital Output 1 0 = Output LOW 1 = Output HIGH
25-28	LG3 - LG0	Left Input Gain 1.5dB Increments. 0000 = No gain (0dB) 1111 = 22.5 dB gain	62	DO2	Digital Output 2 0 = Output LOW 1 = Output HIGH
29-32	RG3 - RG0	Right Input Gain 1.5dB Increments. 0000 = No gain (0dB) 1111 = 22.5 dB gain	63,64	unused	Unused, write with 0's
SM3 and SM5 Subframe Bit Definitions for SDOUT					
Bit(s)	Symbol	Description	Bit(s)	Symbol	Description
1-16	ADC-LEFT	Audio Data, ADC Left 2's Complement data, MSB first (Bit 1 = MSB)	29-32	VER3-VER0	CS4218 Version Number 0000 = Rev A 1000 = Rev B and later
17-21	reserved	These bits can be 0 or 1	33-48	ADC-RIGHT	Audio Data, ADC Right 2's Complement data, MSB first (Bit 33 = MSB)
22	ADV	ADC Valid Data 0 = Invalid ADC data 1 = Valid ADC data	49-60	reserved	These bits can be 0 or 1
23	LCL	ADC Left Clipping 0 = Normal 1 = Clipping	61	DI1	Digital Input 1 0 = Input LOW 1 = Input HIGH
24	RCL	ADC Right Clipping 0 = Normal 1 = Clipping	62	DI2	Digital Input 2 0 = Input LOW 1 = Input HIGH
25-28	ER3 - ER0	Error Word 0000 = Normal, no error 0001 = Input Sub-Frame Bit 21 Set. Control data is ignored. 0010 = Sync Pulse Error Outputs muted. 0011 = Soft PowerDown Outputs muted.	63*	DI3	Digital Input 3 0 = Input LOW 1 = Input HIGH * SM3-S sub-modes only
			64	unused	don't care

Figure 13. SM3 / SM5 Subframe, Bit definitions

Master Sub-Mode (SM3-M)

Master sub-mode is selected by setting MF4:MA = 1, which configures SSYNC and SCLK as outputs from the CS4218. During power down, SSYNC and SCLK are driven high impedance, and during reset they both are driven low. In Master sub-mode the number of bits per frame determines how many codecs can occupy the serial bus and is illustrated in Figure 14.

Bits Per Frame (Master Sub-Modes)

MF8:SFS2 selects the number of bits per frame. The two options are MF8:SFS2 = 1 which selects 128 bits per frame, and MF8:SFS2 = 0 which selects 64 bits per frame.

Selecting 128 bits per frame (MF8:SFS2 = 1) allows two CS4218s to operate from the same serial bus since each codec requires 64 bit periods. The sub-frame used by an individual codec is selected using MF7:SFS1. MF7:SFS1 = 0 selects sub-frame 1 which is the first 64 bits following the SSYNC pulse. MF7:SFS1 = 1 selects sub-frame 2 which is the last 64 bits of the frame.

Selecting 64 bits per frame (MF8:SFS2 = 0) allows only one CS4218 to occupy the serial port. Since there is only one sub-frame (which is equal to one frame), MF7:SFS1 is defined differently in this mode. MF7:SFS1 selects the format of SSYNC. MF7:SFS1 = 0 selects an SSYNC pulse one SCLK period high, directly preceding the data as shown in the center portion of Figure 14. This format is used for all other master and slave sub-modes in SM3. If MF7:SFS1 = 1, an alternate SSYNC format is chosen in which SSYNC is high during the entire Word A (32 bits), which includes the left sample, and low for the entire Word B (32 bits), which includes the right sample. This alternate format for SSYNC is illustrated in the bottom portion of Figure 14 and is only available in SM3-M and SM3-MM sub-modes with 64 bits per frame. A

more detailed timing diagram for the 64 bits-per-frame master sub-modes is shown in Figure 15.

Sample Frequency Selection (Master Sub-Modes)

In SM3-M and SM3-MM sub-modes, the multi-function pins MF1:F1, MF2:F2, and MF3:F3 are used to select the sample frequency divider. Table 3 lists the decoding for the sample frequency select pins where the sample frequency selected is CLKIN/N. Also shown are the sample frequencies obtained by using one of two example master clocks: either 12.288 MHz or 11.2896 MHz. Changing sample frequency automatically initiates a calibration cycle.

MF1: F1	MF2: F2	MF3: F3	N	Fs (kHz) with CLKIN or 16xCLKIN	
				12.288 MHz	11.2896 MHz
0	0	0	256	48.00	44.10
0	0	1	384	32.00	29.40
0	1	0	512	24.00	22.05
0	1	1	640	19.20	17.64
1	0	0	768	16.00	14.70
1	0	1	1024	12.00	11.025
1	1	0	1280	9.60	8.82
1	1	1	1536	8.00	7.35

Table 3. SM3-M/SM3-MM/SM5, Fs Select

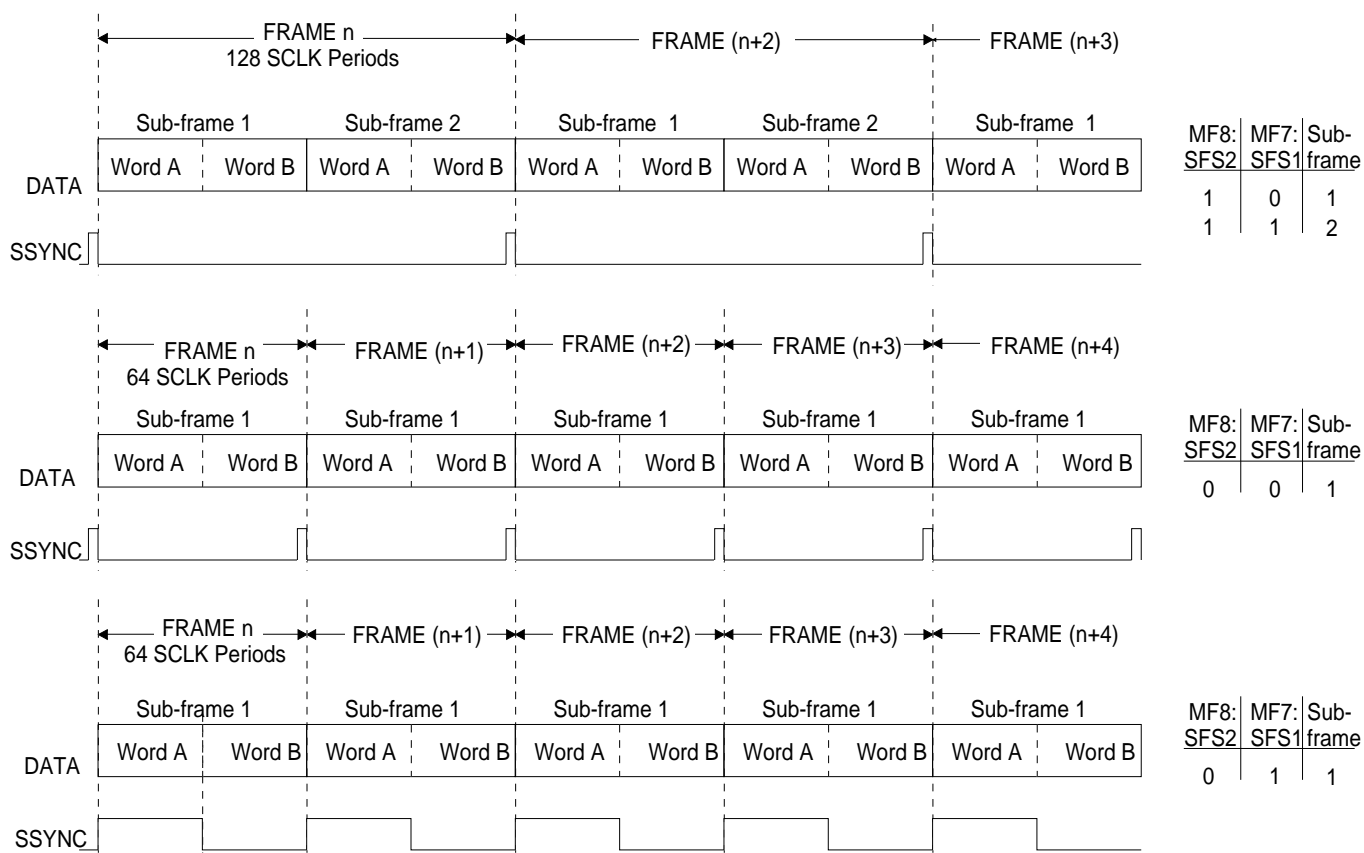


Figure 14. SM3-M and SM3-MM Sub-Modes.

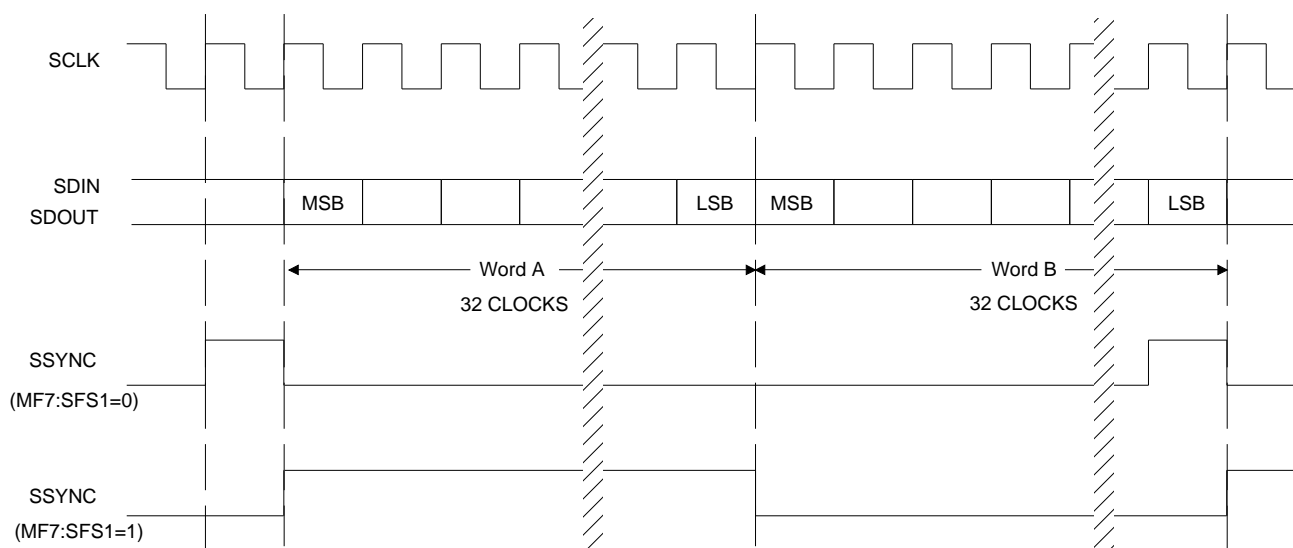


Figure 15. Detailed SM3-M and SM3-MM Sub-Modes, 64 BPF.

Slave Sub-Mode (SM3-S)

In SM3, Slave sub-mode is selected by setting MF4:MA = 0 which configures SSYNC and SCLK as inputs to the CS4218. These two signals must be externally derived from CLKIN. In SM3-S and SM3-MS sub-modes, the phase relationship between SCLK/SSYNC and CLKIN cannot be controlled since SCLK and SSYNC are externally derived. Therefore, the noise performance may be slightly worse than when using the master sub-modes.

The number of sub-frames on the serial port is selected using MF1:F1 and MF2:F2. In SM3-S and SM3-MS sub-modes, MF3:F3 works as an additional general purpose input DI3. Figures 16 through 18 illustrate the SM3-S and SM3-MS sub-mode formats.

Bits per Frame (Slave Sub-Modes)

In slave sub-modes, MF1:F1 and MF2:F2 select the number of bits per frame, which determines how many CS4218s can occupy one serial port. Table 4 lists the decoding for MF1:F1 and MF2:F2.

When set for 64 SCLKs per frame, one device occupies the entire frame; therefore, a sub-frame is equivalent to a frame. MF7:SFS1 and MF8:SFS2 must be set to zero.

When set for 128 SCLKs per frame, two devices can occupy the serial port, with MF7:SFS1 se-

MF1: F1	MF2: F2	Bits per Frame	Sample Frequency/ SCLK
0	0	64	ratio to CLKIN sensed
0	1	128	ratio to CLKIN sensed
1	0	256	ratio to CLKIN sensed
1	1	256	fixed [†] . = 256×Fs

[†] SCLK is master clock. CLKIN is not used. Not available in Multiplier Slave sub-mode.

Table 4. SM3-S/SM3-MS, Bits per Frame.

lecting the particular sub-frame. MF8:SFS2 must be set to zero. See Figure 17.

When set for 256 SCLKs per frame (MF1:F1, MF2:F2 = 10), four devices can occupy the serial port. In this format both MF8:SFS2 and MF7:SFS1 are used to select the particular sub-frame.

In all three of the above slave sub-mode formats, the frequency of the incoming SCLK signal, in relation to the master clock provided on the CLKIN pin, determines the sample frequency. The CS4218 determines the ratio of SCLK to CLKIN and sets the internal operating frequency accordingly. Table 5 lists the SCLK to CLKIN frequency ratio used to determine the codec's sample frequency. To obtain a given sample frequency, SCLK must equal CLKIN divided by the number in the table, based on the number of bits per frame. As an example for SM3-S, assuming 64 BPF (bits per frame) and CLKIN = 12.288 MHz, if a sample frequency of 24 kHz is desired, SCLK must equal CLKIN divided by 8 or 1.536 MHz. A change in sample rate automatically initiates a calibration cycle.

When MF1:F1 = MF2:F2 = 1, SCLK is used as the master clock and is assumed to be 256 times the sample frequency. In this mode, CLKIN is

SCLK to CLKIN Ratio			Fs (kHz) with CLKIN	Fs (kHz) with CLKIN
BPF	BPF	BPF	or 16xCLKIN 12.288 MHz	or 16xCLKIN 11.2896 MHz
256	128	64		
1	2	4	48.00	44.10
1.5	3	6	32.00	29.40
2	4	8	24.00	22.05
2.5	5	10	19.20	17.64
3	6	12	16.00	14.70
4	8	16	12.00	11.025
5	10	20	9.60	8.82
6	12	24	8.00	7.35

Table 5. SM3-S/SM3-MS, Fs Select.

ignored and the sample frequency is linearly scaled with SCLK. (The CLKIN pin must be tied low.) This mode also fixes SCLK at 256 bits per frame with MF7:SFS1 and MF8:SFS2 selecting the particular sub-frame. This master clocking option is not available in the multiplier (SM3-MS) sub-mode.

- Set $SMODE1 = SMODE2 = SMODE3 = 0$. This selects SM3 Multiplier mode.
- CLKIN must be $16 \cdot F_s$, as opposed to $256 \cdot F_s$ used for SM3-M and SM3-S.
- A 0.47uF capacitor must be connected to the FILT pin as shown in Figure 8.

Multiplier Sub-Modes (SM3-MM and SM3-MS)

The SM3 Multiplier sub-modes are identical to the SM3-M and SM3-S sub-modes with the following exceptions:

Master / Slave setup, frame formats, and sample rate selection are identical to SM3-M and SM3-S. Please note that the MF1:F1 = MF2:F2 = 1 slave configuration supported by the SM3-S sub-mode it not available in SM3-MS sub-mode.

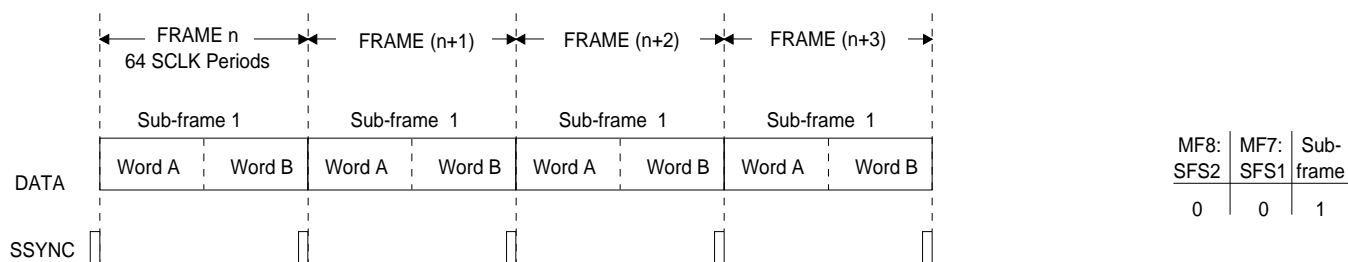


Figure 16. SM3-S and SM3-MS - 64 BPF; MF1:F1, MF2:F2 = 00

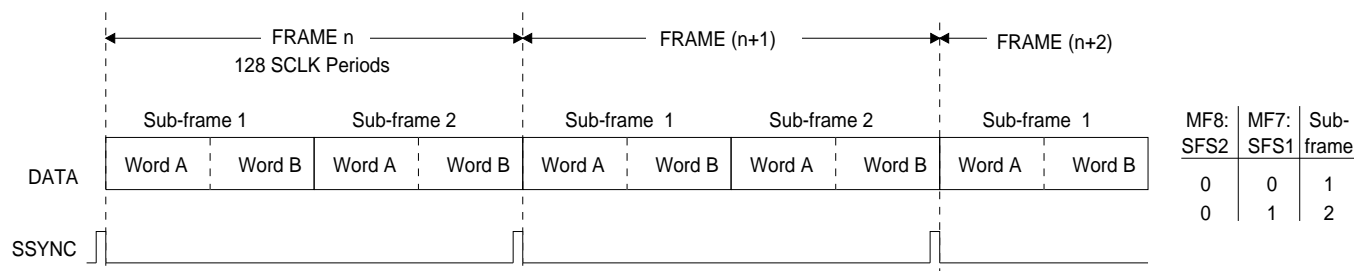


Figure 17. SM3-S and SM3-MS - 128 BPF; MF1:F1, MF2:F2 = 01

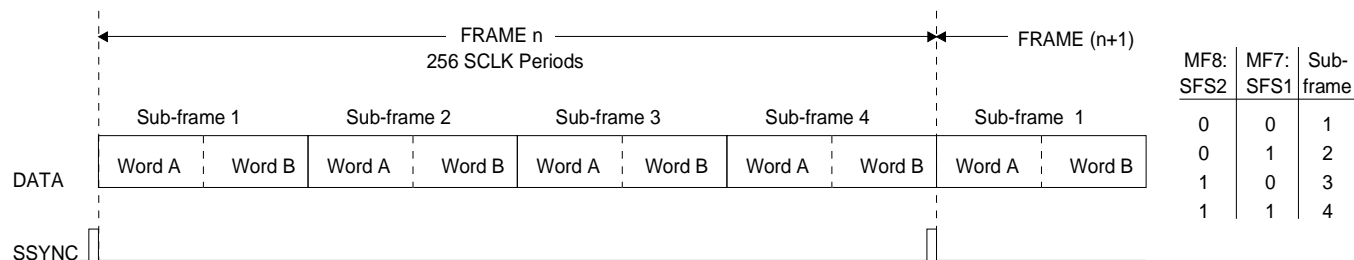


Figure 18. SM3-S and SM3-MS - 256 BPF; MF1:F1, MF2:F2 = 10

SERIAL MODE 4, (SM4)

Serial Mode 4 is enabled by setting $SMODE3 = 1$. Both Master and Slave sub-modes are available and are selected by setting the $SMODE2$ and $SMODE1$ pins as shown in Table 6. In Master sub-mode, the phase relationship between $SCLK/SSYNC$ and $CLKIN$ is controlled to minimize digital noise coupling into the analog section. Therefore, Master sub-mode may yield slightly better noise performance than Slave sub-mode. In Slave sub-mode, $SCLK$ and $SSYNC$ must be synchronous to $CLKIN$.

In serial mode 4, the $CLKIN$ frequency must be 256 times the highest sample frequency needed. $SM4$ differs from $SM3$ and $SM5$ in that $SM4$ splits the audio data from the control data, with the control data on an independent serial port. This reduces the audio serial bus bandwidth by half, providing an easier interface to low-cost DSPs. The audio serial port sub-frame is illustrated in Figure 19 for $SM4$.

SMODE1	SMODE2	SM4, Sub-Mode
0	0	Master, 32 BPF
0	1	Slave, 128/64/32 BPF
1	0	Master, 64 BPF, TS1
1	1	Master, 64 BPF, TS2

Table 6. SM4 Sub-Modes.

Master Sub-Mode (SM4)

Master sub-mode configures $SSYNC$ and $SCLK$ as outputs from the $CS4218$. During power down, $SSYNC$ and $SCLK$ are driven high impedance, and during reset they both are driven low. There are two $SM4$ Master sub-modes. One allows 32 bits per frame and the other allows 64 bits per frame. As shown in Table 6, the $SMODE1$ and $SMODE2$ pins select the particular Master sub-mode (as well as the Slave sub-mode). When $SMODE1$ is set to zero, $SMODE2$ selects either Master sub-mode with 32-bit frames, or Slave sub-mode.

$SMODE1,SMODE2 = 00$ selects Master sub-mode where a frame = sub-frame = 32 bits. This sub-mode allows only one codec on the audio serial bus, with the first 16 bits being the left channel and the second 16 bits being the right channel. The *Appendix B* section contains more information on low-cost implementations of this sub-mode.

$SMODE1 = 1$ selects Master sub-mode with a frame width of 64 bits. This sub-mode allows up to two codecs to occupy the same bus. $SMODE2$ is now used to select the particular time slot. If $SMODE2 = 0$ the codec selects time slot 1, which is the first 32 bits. If $SMODE2 = 1$ the codec selects time slot 2, which is the second 32 bits.

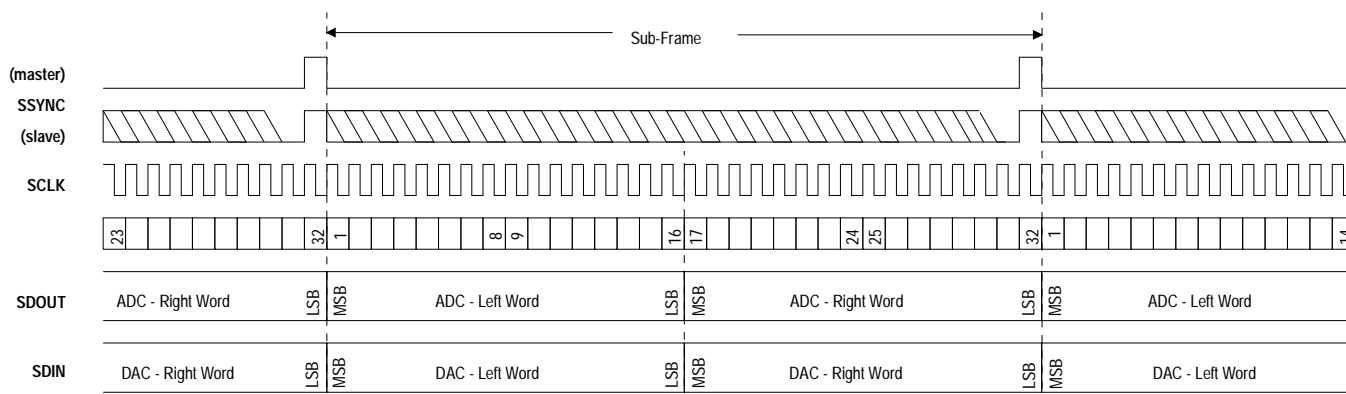


Figure 19. SM4-Audio Serial Port, 32 BPF

In Master sub-mode, multifunction pins MF6:F1, MF7:F2, and MF8:F3 select the sample frequency as shown in Table 7. This table indicates how to obtain standard audio sample frequencies given one of two CLKIN frequencies: 12.288 MHz or 11.2896 MHz. Other CLKIN frequencies may be used with the corresponding sample frequencies being CLKIN/N. A change in sample rate automatically initiates a calibration cycle.

MF6: F1	MF7: F2	MF8: F3	N	Fs (kHz) with CLKIN	
				12.288 MHz	11.2896 MHz
0	0	0	256	48.00	44.10
0	0	1	384	32.00	29.40
0	1	0	512	24.00	22.05
0	1	1	640	19.20	17.64
1	0	0	768	16.00	14.70
1	0	1	1024	12.00	11.025
1	1	0	1280	9.60	8.82
1	1	1	1536	8.00	7.35

Table 7. SM4-Master, Fs Select

Slave Sub-Mode (SM4)

In SM4, Slave sub-mode is selected by setting SMODE1,SMODE2 = 01. This mode configures SSYNC and SCLK as inputs to the CS4218. These two signals must be externally derived from CLKIN. Since the CS4218 has no control over the phase relationship of SSYNC and SCLK to CLKIN, the noise performance in Slave sub-mode may be slightly worse than when using Master sub-mode. The CS4218 internally sets the sample frequency by sensing the ratio of SCLK to CLKIN; therefore, for a given CLKIN frequency, the sample frequency is selected by changing the SCLK frequency. A change in sample rate automatically initiates a calibration cycle. Table 9 shows the sample rates generated with two example clocks.

SM4-Slave allows up to four codecs to occupy the same audio serial port. Table 8 lists the pin configurations required to set the serial audio port up for 32, 64, or 128 bits-per-frame (BPF). Since each codec requires one sub-frame of 32 bits, 64 bits-per-frame allows up to two codecs to occupy the same audio serial port, and 128 bits-per-frame allows up to four codecs to occupy the same audio serial port. When set up for more than one codec on the bus, other pins are needed to select the particular time slot (TS) associated with each codec. MF8:SFS2 selects the time slot when in 64 BPF mode, and MF8:SFS2 and MF7:SFS1 select one of four time slots when in 128 bits-per-frame mode. Table 8 lists the decoding for time slot selection.

MF6: F1	MF7: SFS1	MF8: SFS2	Bits Per Frame (BPF)	Time Slot (TS)
0	0	0	32	1
0	0	1	Reserved	
0	1	0	64	1
0	1	1	64	2
1	0	0	128	1
1	1	0	128	2
1	0	1	128	3
1	1	1	128	4

Table 8. SM4-Slave, Audio Port BPF & TS Select

SCLK to CLKIN Ratio			Fs (kHz) with CLKIN	Fs (kHz) with CLKIN
BPF 128	BPF 64	BPF 32	12.288 MHz	11.2896 MHz
2	4	8	48.00	44.10
3	6	12	32.00	29.40
4	8	16	24.00	22.05
5	10	20	19.20	17.64
6	12	24	16.00	14.70
8	16	32	12.00	11.025
10	20	40	9.60	8.82
12	24	48	8.00	7.35

Table 9. SM4-Slave, Fs Select.

Serial Control Port (SM4)

Serial Mode 4 separates the audio data from the control data. Since control data such as gain and attenuation do not change often, this mode reduces the bandwidth needed to support the audio serial port.

The control information is entered through a separate port that can be asynchronous to the audio port and only needs to be updated when changes in the control data are needed. After a reset or power down, the control port must be written once to initialize it if the port will be accessed to read or write control bits. This initial write is considered a "dummy" write since the data is ignored by the codec. A second write is needed to configure the codec as desired. Then, the control port only needs to be written to when a change is desired, or to obtain the status information. The control port does not function if the master clock is not operating. When the control port is used asynchronously to the audio port, the noise performance may be slightly degraded due to the asynchronous digital noise.

Since control data does not need to be accessed each audio frame, an interrupt pin, MF5:INT, is included in this mode and will go low when status has changed. The control port serial data

format is illustrated in Figure 20. The control port uses one of the multifunction pins as a chip select line, MF4:CCS, that must be low for entering control data. Although only 23 bits contain useful data on MF2:CDIN, a minimum of 31 bits must be written. If more than 31 bits are written without toggling MF4:CCS, only the first 31 are recognized. MF1:CDOUT contains status information that is output on the rising edge of MF3:CCLK. Status information is repeated at the end of the frame, bits 25 through 30, to allow a simple 8-bit shift and latch register to store the most important status information using the rising edge of MF4:CCS at the latch control (see Appendix B).

Interrupt Pin - MF5:INT

Serial Mode 4 defines the multifunction pin MF5:INT as an open-collector interrupt pin. In SM4, this pin requires a pullup resistor and will go low when the ADV bit or DI1 pin change, or a rising edge on the LCL or RCL bits occurs, or by exiting an SCLK out of range condition (Error = 3). The interrupt may be masked by setting the MASK bit in the control serial data port. MF5:INT is reset by reading the control serial port.

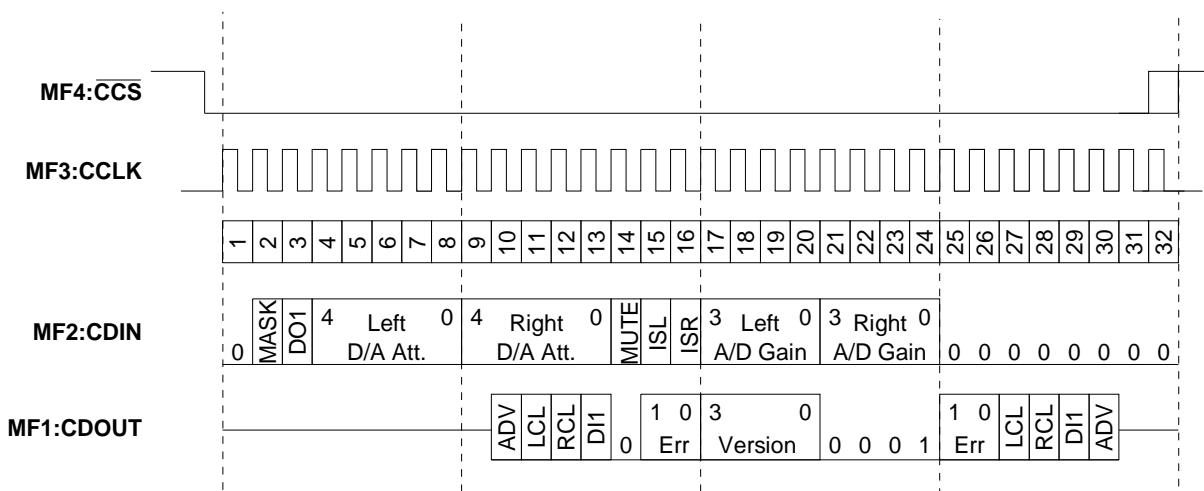


Figure 20. SM4 - Control Serial Port

SERIAL MODE 5 (SM5)

The Serial Mode 5 is compatible with the Philips I²S serial protocol. SM5 is enabled by setting SMODE3 = 0, SMODE2 = 0, and SMODE1 = 1. This is a master mode fixed at 64 BPF.

Figure 21 shows the frame format of the SM5. Figure 22 shows the detailed frame format.

The multi-function pins MF4, MF7, and MF8 are not used in this mode. MF4 should be tied to VD, and MF7 and MF8 should be tied to ground.

Figures 11 & 12 illustrate the serial data in, SDIN, and serial data out, SDOUT, sub-frames for SM5.

Sample Frequency Selection

The multifunction pins MF1:F1, MF2:F2, and MF3:F3 are used to select the sample frequency divider. Table 3 lists the decoding for the sample frequency select pins where the sample frequency selected is CLKIN/N. Also shown are the sample frequencies obtained by using one of two example master clocks. A change in sample rate will automatically initiate a calibration cycle.

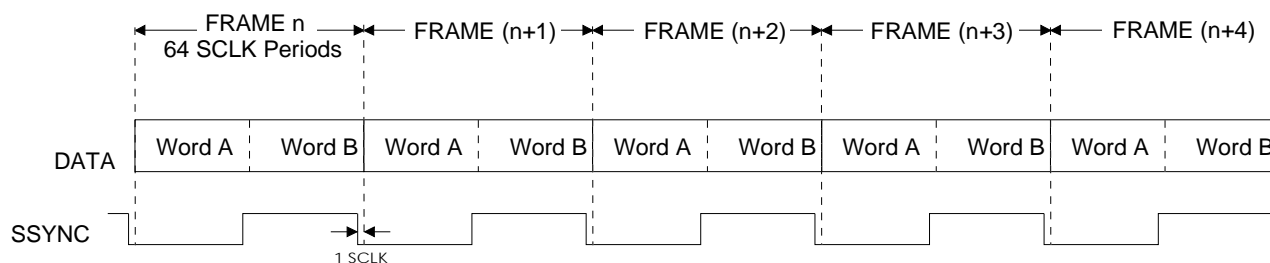


Figure 21. Serial Mode 5

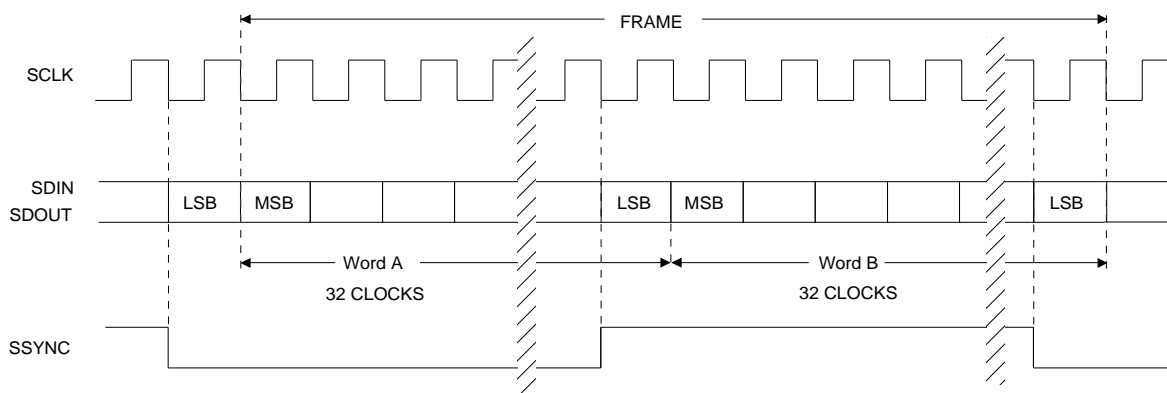


Figure 22. Detailed Serial Mode 5.

Power Supply and Grounding

The CS4218, along with associated analog circuitry, should be positioned in an isolated section of the circuit board, and have its own, separate, ground plane. On the CS4218, the analog and digital grounds are internally connected; therefore, the AGND and DGND pins must be externally connected with no impedance between them. The best solution is to place the entire chip on a solid ground plane as shown in Figure 23. Preferably, it should also have its own power plane. The +5V (or +3.3V) supply must be connected to the CS4218 via a ferrite bead, positioned closer than 1" to the device. If using +5V for VD, the VA supply can be derived from VD, as shown in Figure 8. Alternatively, a separate +5V analog supply may be used for VA, in which case, the 2.0 Ω resistor between VA and VD should be removed. A single connection between the CS4218 ground (analog ground) and the board digital ground should be positioned as shown in Figure 23.

Figure 24 illustrates the optimum ground and decoupling layout for the CS4218 assuming a surface-mount socket and leaded decoupling capacitors. Surface-mount sockets are useful since the pad locations are identical to the chip pads; therefore, assuming space for the socket is left on the board, the socket can be optional for production. Figure 24 depicts the top layer, containing signal traces, and assumes the bottom or inter-layer contains a fairly solid ground plane. The important points are that there is solid ground plane under the codec on the same layer as the codec and it connects all ground pins with thick traces providing the absolute lowest impedance between ground pins. The decoupling capacitors are placed as close as possible to the device which, in this case, is the socket boundary. The lowest value capacitor is placed closest to the codec. Vias are placed near the AGND and DGND pins, under the IC, and should attach

to the solid ground plane on another layer. The negative side of the decoupling capacitors should also attach to the same solid ground plane. Traces and vias bringing power to the codec should be large, which minimizes the impedance.

Although not shown in the figures, the trace layers (top layer in the figures) should have ground plane fill in-between the traces to minimize coupling into the analog section.

If using all surface-mount components, the decoupling capacitors should be placed on the same layer as the codec and in the positions shown in Figure 25. The vias shown are assumed to attach to the appropriate power and ground layers. Traces and vias bringing power to the codec should be as large as possible to minimize the impedance.

If using a through-hole socket, effort should be made to find a socket with minimum height, which will minimize the socket impedance. When using a through hole socket, the vias under the codec in Figure 24 and 25 are not needed since the pins serve the same function.

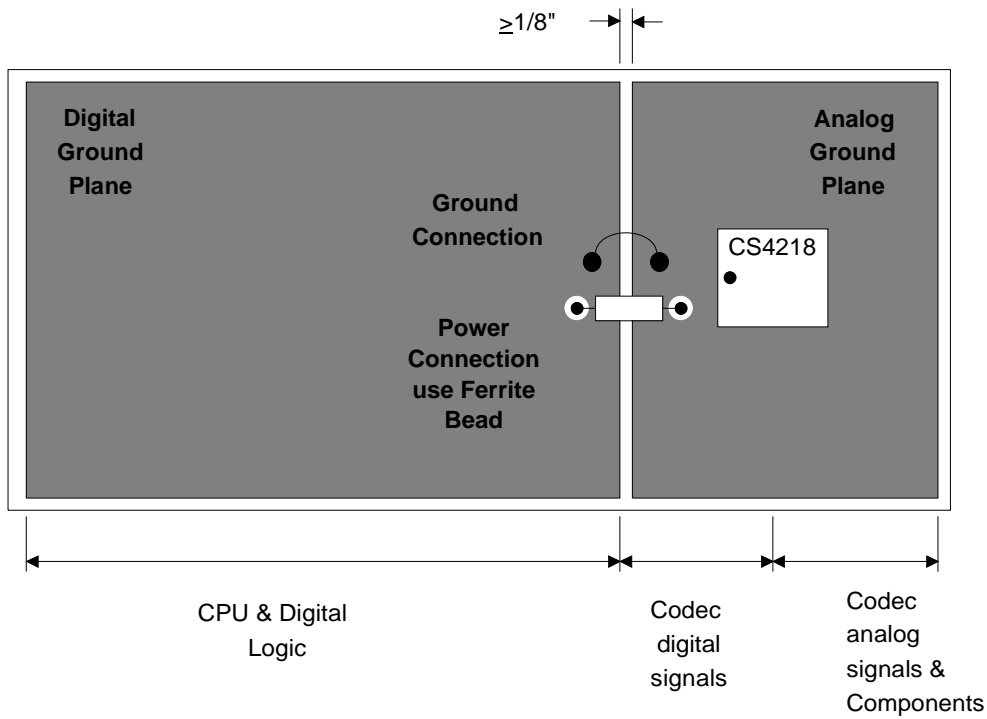
Schematic & Layout Review Service

**Confirm Optimum
Schematic & Layout
Before Building Your Board.**

**For Our Free Review Service
Call Applications Engineering.**



Call : (5 1 2) 4 4 5 - 7 2 2 2



Note that the CS4218 is oriented with its digital pins towards the digital end of the board.

Figure 23. CS4218 Board Layout Guideline

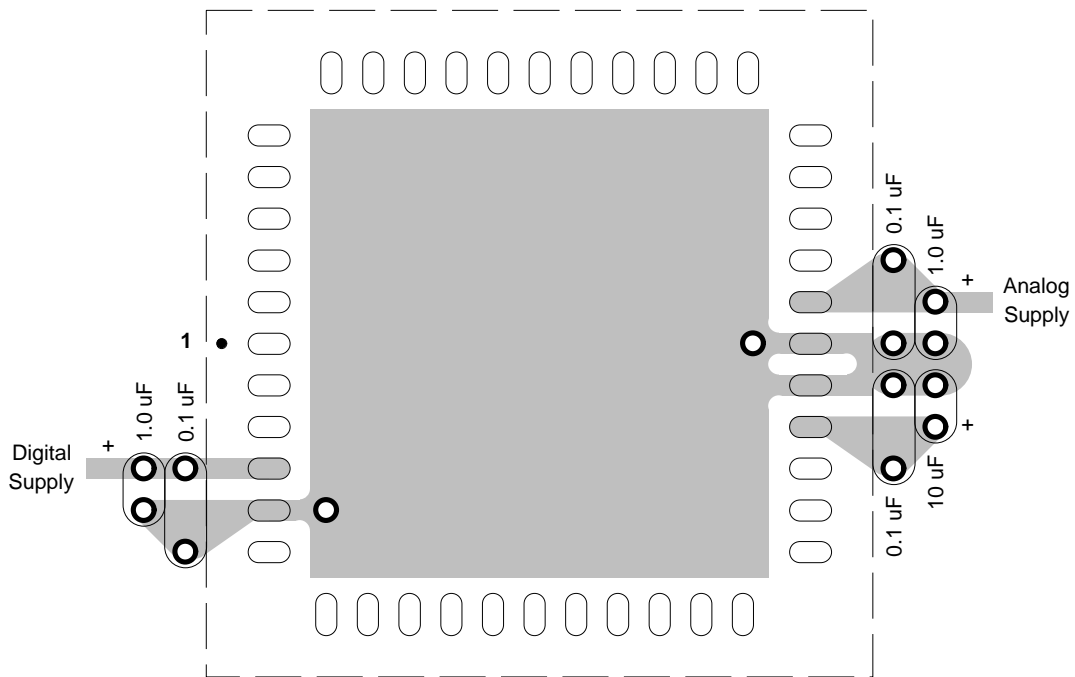


Figure 24. CS4218 Decoupling Layout Guideline

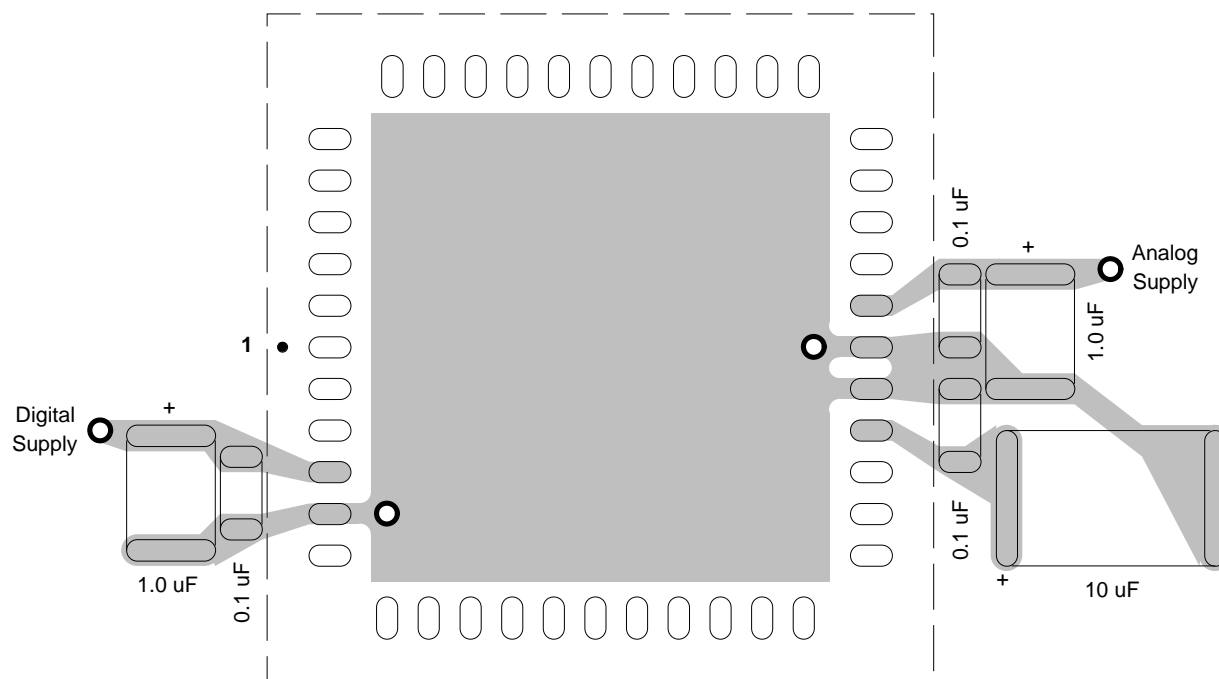
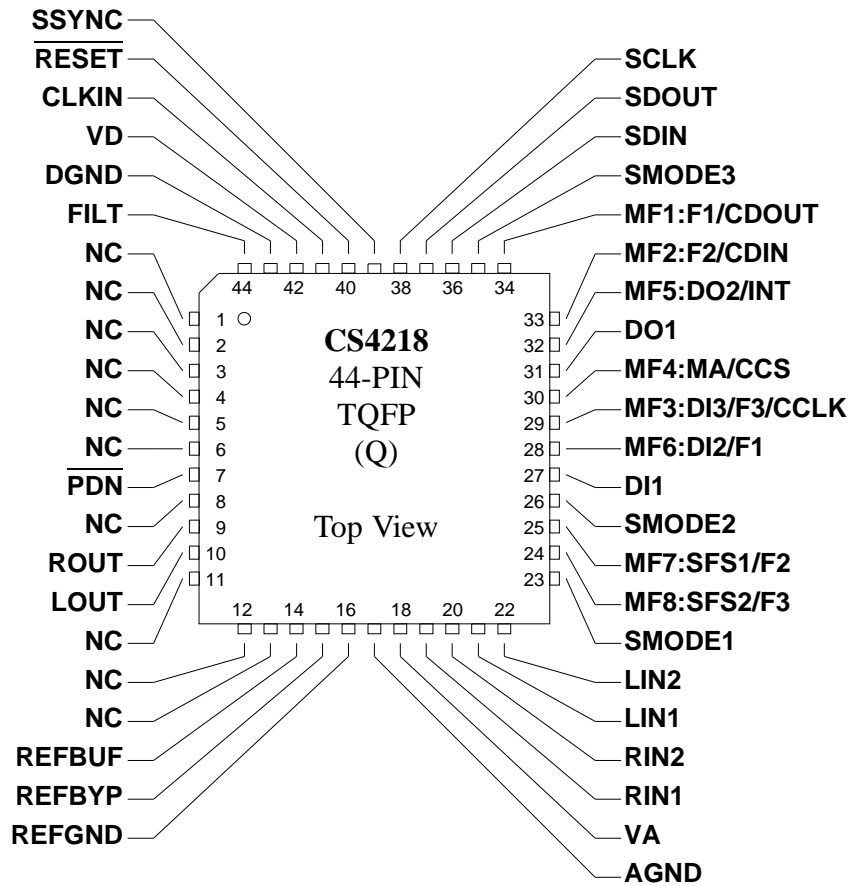
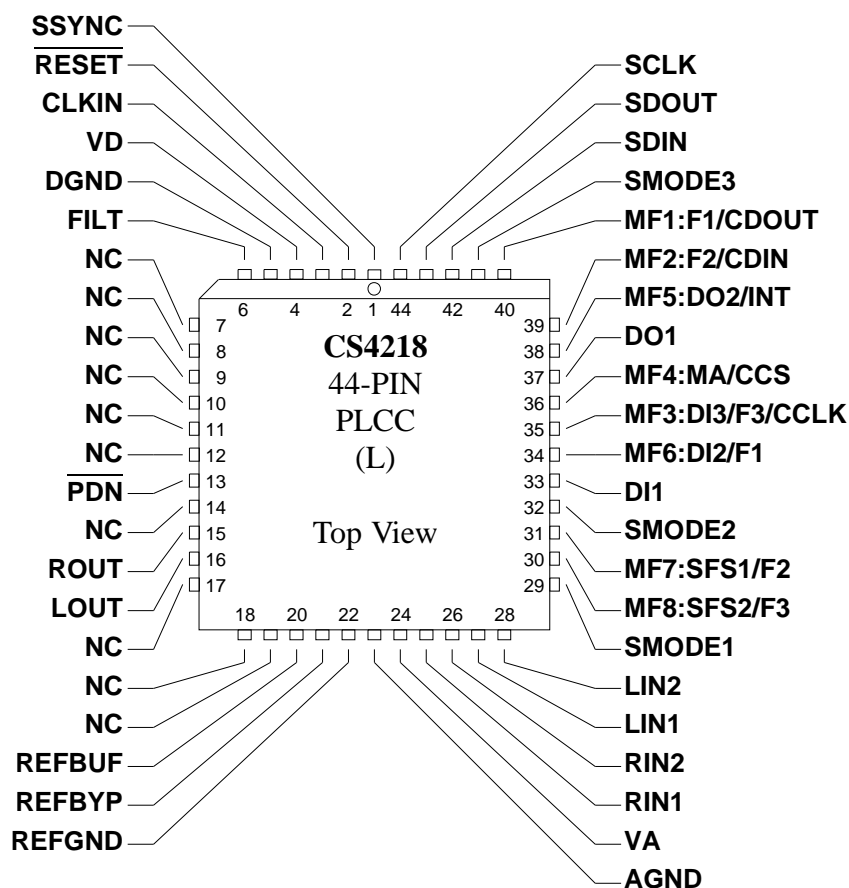


Figure 25. CS4218 Surface Mount Decoupling Layout

PIN DESCRIPTIONS



SM	MF1	MF2	MF3	MF4	MF5	MF6	MF7	MF8
SM5	F1	F2	F3	Tie to VD	DO2	DI2	Tie to DGND	Tie to DGND
3-SL	F1	F2	DI3	MA	DO2	DI2	SFS1	SFS2
3-MA	F1	F2	F3	MA	DO2	DI2	SFS1	SFS2
4-SL	CDOUT	CDIN	CCLK	CCS	INT	F1	SFS1	SFS2
4-MA	CDOUT	CDIN	CCLK	CCS	INT	F1	F2	F3



SM	MF1	MF2	MF3	MF4	MF5	MF6	MF7	MF8
SM5	F1	F2	F3	tie to VD	DO2	DI2	tie to DGND	tie to DGND
3-SL	F1	F2	DI3	MA	DO2	DI2	SFS1	SFS2
3-MA	F1	F2	F3	MA	DO2	DI2	SFS1	SFS2
4-SL	CDOUT	CDIN	CCLK	CCS	INT	F1	SFS1	SFS2
4-MA	CDOUT	CDIN	CCLK	CCS	INT	F1	F2	F3

Power Supply

VD - Digital Supply, PIN 4(L), 42(Q).

+5V or +3.3V digital supply.

VA - Analog +5V Supply, PIN 24(L), 18(Q).

+5V analog supply.

DGND - Digital Ground, PIN 5(L), 43(Q).

Digital ground. Must be connected to AGND with zero impedance.

AGND - Analog Ground, PIN 23(L), 17(Q).

Analog ground. Must be connected to DGND with zero impedance.

Analog Inputs**RIN1 - Right Input #1, PIN 25(L), 19(Q).**

Right analog input #1. Full scale input, with no gain, is 1Vrms, centered at REFBUF.

RIN2 - Right Input #2, PIN 26(L), 20(Q).

Right analog input #2. Full scale input, with no gain, is 1Vrms, centered at REFBUF.

LIN1 - Left Input #1, PIN 27(L), 21(Q).

Left analog input #1. Full scale input, with no gain, is 1Vrms, centered at REFBUF.

LIN2 - Left Input #2, PIN 28(L), 22(Q).

Left analog input #2. Full scale input, with no gain, is 1Vrms, centered at REFBUF.

Analog Outputs**ROUT - Right Channel Output, PIN 15(L), 9(Q).**

Right channel analog output. Maximum signal is 1 Vrms centered at REFBUF.

LOUT - Left Channel Output, PIN 16(L), 10(Q).

Left channel analog output. Maximum signal is 1 Vrms centered at REFBUF.

REFBYP - Analog Reference Decoupling, PIN 21(L), 15(Q).

A 10 μ F and 0.1 μ F capacitor must be attached between REFBYP and REFGND.

REFGND - Analog Reference Ground Connection, PIN 22(L), 16(Q).

Connect to AGND.

REFBUF - Buffered Reference Out, PIN 20(L), 14(Q).

A nominal +2.1V output for setting the bias level for external analog circuits.

Serial Digital Audio Interface Signals**SDIN - Serial Port Data In, PIN 42(L), 36(Q).**

Digital audio data to the DACs and level control information is received by the CS4218 via SDIN.

SDOUT - Serial Port Data Out, PIN 43(L), 37(Q).

Digital audio data from the ADCs and status information is output from the CS4218 via SDOUT.

SCLK - Serial Port Bit Clock, PIN 44(L), 38(Q).

SCLK controls the digital audio data on SDOUT and latches the data on SDIN. SCLK must be synchronous to the master clock.

SSYNC - Serial Port Sync Signal, PIN 1(L), 39(Q).

Indicates the start of a digital audio frame. SSYNC must be synchronous to the master clock.

SMODE1 - Serial Mode Select, PIN 29(L), 23(Q).

One of three pins that select the serial mode and function of the multifunction pins.

SMODE2 - Serial Mode Select, PIN 32(L), 26(Q).

One of three pins that select the serial mode and function of the multifunction pins.

SMODE3 - Serial Mode Select, PIN 41(L), 35(Q).

One of three pins that select the serial mode and function of the multifunction pins.

Multifunction Digital Pins**MF1:F1 - Format bit 1 in SM3 and SM5, PIN 40(L), 34(Q).**

In SM3-M, SM3-MM, and SM5, this pin is a format bit and is used as one of three sample frequency select pins, or as one of two bits-per-frame select pins when in SM3-S or SM3-MS.

MF1:CDOUT - Control Data Output in SM4, PIN 40(L), 34(Q).

In serial mode 4 this pin is the data output for the control port which contains status information.

MF2:F2 - Format bit 2 in SM3 and SM5, PIN 39(L), 33(Q).

In SM3-M, SM3-MM, and SM5, this pin is a format bit and is used as one of three sample frequency select pins, or as one of two bits-per-frame select pins when in SM3-S or SM3-MS.

MF2:CDIN - Control Data Input in SM4, PIN 39(L), 33(Q).

In SM4 this pin is the control port data input which contains data such as gain and attenuation settings as well as input select, mute, and digital output bits.

MF3:F3 - Format bit 3 in SM3 and SM5, PIN 35(L), 29(Q).

In SM3-M, SM3-MM, and SM5, this pin is a format bit and is used as one of three sample frequency select pins. In SM3-S and SM3-MS, the pin reverts to being a general purpose input.

MF3:CCLK - Control Data Clock in SM4, PIN 35(L), 29(Q).

In SM4 this pin is the control port serial bit clock which latches data from CDIN on the falling edge, and outputs data onto CDOUT on the rising edge.

MF4:MA - Master sub-mode in SM3, PIN 36(L), 30(Q).

In SM3, this pin selects either master or slave sub-modes. When MF4:MA = 1, the codec is in master sub-modes and outputs SSYNC and SCLK. When MF4:MA = 0, the codec is in slave sub-modes and receives SSYNC and SCLK from an external source that must be frequency locked to CLKIN.

MF4 - SM5, PIN 36(L), 30(Q).

In SM5, this pin is not used and should be tied to VD.

MF4:CCS - Control Data Chip Select in SM4, PIN 36(L), 30(Q).

In SM4 this pin is the control port chip select signal. When $\overline{\text{CCS}}$ is low, the control port data is clocked in CDIN and status data is output on CDOUT. When $\overline{\text{CCS}}$ goes high, control data is latched internally. This data remains active until new data is clocked in. The control port may also be asynchronous to the audio data port.

MF5:DO2 - Parallel Digital Bit Output #2 in SM3 and SM5, PIN 38(L), 32(Q).

In SM3 and SM5, this pin reflects the value of the DO2 bit in the sub-frame.

MF5:INT - Interrupt in SM4, PIN 38(L), 32(Q).

In SM4 this pin is an active low $\overline{\text{INT}}$ interrupt signal that is maskable using the MSK bit in the control port serial data stream. $\overline{\text{INT}}$ is an open-collector output and requires an external pull-up resistor. Assuming the mask bit is not set, and interrupt is triggered by a change in ADV or DI1, or a rising edge on LCL or RCL, or when exiting an SCLK out of range condition (Error = 3)

MF6:DI2 - Parallel Digital Bit Input #2 in SM3 and SM5, PIN 34(L), 28(Q).

In SM3 and SM5, this pin value is reflected in the DI2 bit of the sub-frame.

MF6:F1 - Format Bit 1 in SM4, PIN 34(L), 28(Q).

In SM4 this pin is a format bit and is used as one of three sample frequency select pins when in master mode. In slave mode, MF6:F1 is used to determine the number of sub-frames within a frame.

MF7:SFS1 - Sub-Frame Select 1 in SM3/SM4-SL, PIN 31(L), 25(Q).

In SM3, MF7:SFS1 helps select the sub-frame that this particular CS4218 is allocated. In slave sub-mode of SM4, this pin is one of two pins used as a sub-frame select when MF6:F1 = 1 (128-bit frames). When MF6:F1 = 0, this pin is used to select the frame sizes of 32 or 64 bits.

MF7 - SM5, PIN 31(L), 25(Q).

In SM5, this pin is not used and should be tied to DGND.

MF7:F2 - Format Bit 2 in SM4-MA, PIN 31(L), 25(Q).

In master sub-mode of SM4, this pin is used as one of three sample frequency select pins.

MF8:SFS2 - Sub-Frame Select 2 in SM3/SM4-SL, PIN 30(L), 24(Q).

In SM3 and slave sub-mode of SM4, MF8:SFS2 helps select the sub-frame that this particular CS4218 is allocated.

MF8 - SM5, PIN 30(L), 24(Q).

In SM5, this pin is not used and should be tied to DGND.

MF8:F3 - Format Bit 3 in SM4-MA, PIN 30(L), 24(Q).

In master sub-mode of SM4, this pin is a format bit and is one of three sample frequency select pins.

Miscellaneous **$\overline{\text{RESET}}$ - Reset Input, PIN 2.(L), 40(Q).**

Resets the CS4218 to a known state, and must be initiated after power-up or power-down mode. Releasing $\overline{\text{RESET}}$ causes the CS4218 to initiate a calibration sequence. The CS4218 automatically initiates a calibration sequence after a sample rate change in master and slave modes.

CLKIN - Master Clock, PIN 3(L), 41(Q).

CLKIN is the master clock that operates the internal logic. CLKIN is $256 \times F_{S_{\max}}$, where $F_{S_{\max}}$ is the highest sample frequency needed, for SM3 Master and Slave, and for SM4 Master and Slave. CLKIN is $16 \times F_{S_{\max}}$ in SM3 Multiplier sub-modes. Different sample frequencies are obtained by either changing the ratio of SCLK to CLKIN in slave modes, or changing the format pin values (F2-F0) in master modes.

 $\overline{\text{PDN}}$ - Power Down, PIN 13(L), 7(Q).

This pin, when low, causes the CS4218 to go into a power down state. $\overline{\text{RESET}}$ should be held low for 50 ms when exiting the power down state to allow time for the voltage reference to settle.

DI1 - Parallel Digital Bit Input #1, PIN 33(L), 27(Q).

This pin value is reflected in the DI1 bit in the sub-frame.

DO1 - Parallel Digital Bit Output #1, PIN 37(L), 31(Q).

This pin reflects the value of the DO1 bit in the sub-frame

FILT - PLL Filter, PIN 6(L), 44(Q).

This pin should have the 0.47 μF PLL loop filter capacitor connected when using SM3 Multiplier sub-modes. When using SM3-M, SM3-S, SM4, or SM5 modes, this pin should be left floating. This pin has an internal pull-down making the CS4218 pin compatible with the CS4216 operating in serial modes SM3-M, SM3-S, and SM4.

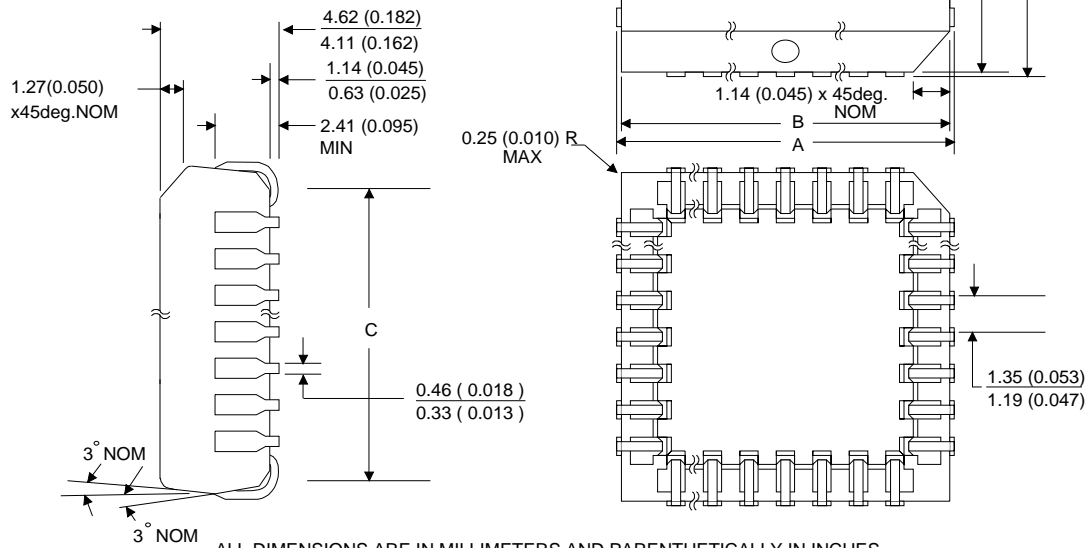
**NC - No Connection, PINS 7, 8, 9, 10, 11, 12, 14, 17, 18, 19(L)
PINS 1, 2, 3, 4, 5, 6, 8, 11, 12, 13(Q).**

These pins should be left floating with no trace attached to allow backwards compatibility with future revisions. They should not be used as a convenient path for signal traces.

PACKAGE DIMENSIONS

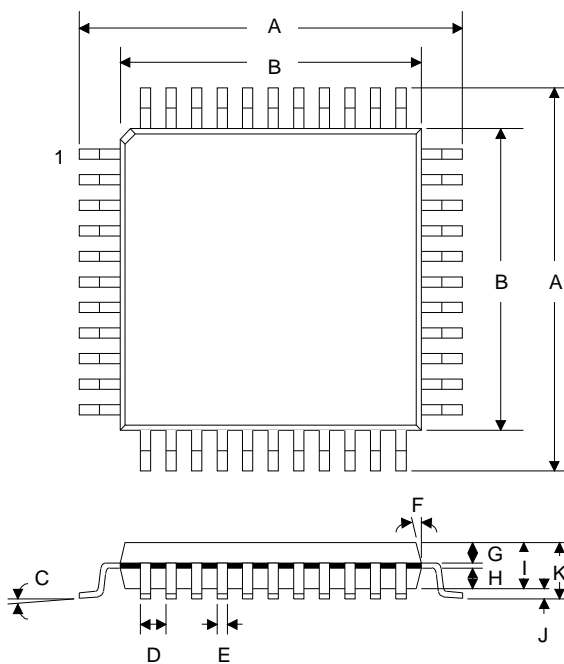
44 PIN PLCC

NO. OF TERMINALS	A		B		C	
	MIN	MAX	MIN	MAX	MIN	MAX
44	17.40 (0.685)	17.65 (0.695)	16.51 (0.650)	16.66 (0.656)	14.98 (0.590)	16.00 (0.630)

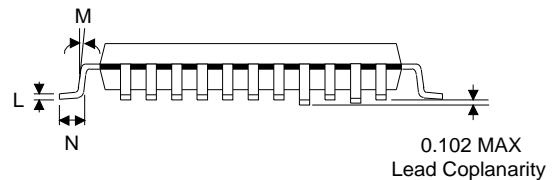


ALL DIMENSIONS ARE IN MILLIMETERS AND PARENTHETICALLY IN INCHES.

44 PIN QUAD FLATPACK



44 Pin TQFP				
1.4 mm Package Thickness				
DIM	MILLIMETERS		INCHES	
	MIN	MAX	MIN	MAX
A	11.75	12.25	0.463	0.482
B	9.90	10.10	0.390	0.398
C	0°	7°	0°	7°
D	0.80 BSC		0.031 BSC	
E	0.35 BSC		0.014 BSC	
F	12°		12°	
G	0.54	0.74	0.021	0.029
H	0.54	0.74	0.021	0.029
I	1.35	1.50	0.053	0.059
J	0.05		0.002	
K	1.60		0.063	
L	0.17		0.007	
M	2°	10°	2°	10°
N	0.35	0.65	0.014	0.026



PARAMETER DEFINITIONS

Resolution

The number of bits in the input words to the DACs, and in the output words from the ADCs.

Differential Nonlinearity

The worst case deviation from the ideal codewidth. Units in LSB.

Total Dynamic Range

TDR is the ratio of the rms value of a full scale signal to the lowest obtainable noise floor. It is measured by comparing a full scale signal to the lowest noise floor possible in the codec (i.e. attenuation bits for the DACs at full attenuation). Units in dB.

Instantaneous Dynamic Range

IDR is the ratio of a full-scale rms signal to the rms noise available at any instant in time, without changing the input gain or output attenuation settings. It is measured using $S/(N+D)$ with a 1 kHz, -60 dB input signal, with 60 dB added to compensate for the small input signal. Use of a small input signal reduces the harmonic distortion components to insignificance when compared to the noise. Units in dB.

Total Harmonic Distortion

THD is the ratio of the rms value of a signal's first five harmonic components to the rms value of the signal's fundamental component. THD is calculated using an input signal which is 3dB below typical full-scale, and is referenced to typical full-scale.

Interchannel Isolation

The amount of 1 kHz signal present on the output of the grounded input channel, with 1 kHz 0 dB signal present on the other channel. Units in dB.

Interchannel Gain Mismatch

For the ADCs, the difference in input voltage that generates the full scale code for each channel. For the DACs, the difference in output voltages for each channel with a full scale digital input. Units in dB.

Frequency Response

Worst case variation in output signal level versus frequency over the passband. Tested over the frequency band of 10 Hz to 20 kHz, with the sample frequency of 48 kHz. Units in dB.

Step Size

Typical delta between two adjacent gain or attenuation values. Units in dB.

Absolute Gain/Attenuation Step Error

The deviation of a gain or attenuation step from a straight line passing through the no-gain/attenuation value and the full-gain/attenuation value (i.e. end points). Units in dB.

Offset Error

For the ADCs, the deviation of the output code from the mid-scale with the selected input at REFBUF. For the DACs, the deviation of the output from REFBUF with mid-scale input code. Units in LSB's for the ADCs and volts for the DACs.

Out of Band Energy

The ratio of the rms sum of the energy from $0.46 \times F_s$ to $2.1 \times F_s$ compared to the rms full-scale signal value. Tested with 48 kHz F_s giving a out-of-band energy range of 22 kHz to 100 kHz.

Appendix A: CS4218 Compatibility with CS4216

IMPORTANT !!

If you are upgrading your design from the CS4216 to the CS4218, please make sure to read this entire appendix. The CS4218 is pin compatible with the CS4216. This appendix provides a summary of differences between the two codecs.

Pin Compatibility

The CS4218 is 100% pin compatible with the CS4216 when used in Serial Modes 3 and 4. The differences are noted in the following paragraphs and tables.

The CS4218 integrates the 600-ohm series resistors for the LOUT and ROUT analog outputs on the IC itself. For the CS4216, these resistors are not on-chip, and need to be provided externally.

The CS4218 pin named SMODE3 does not incorporate an on-chip pull-down resistor, as is provided on the CS4216 Rev B and later. This pin must be tied high or low, or driven by control logic to the desired state (depends on the serial mode used). If this pin is left floating, the codec will not work correctly.

The CS4218 adds the pin named FILT. On the CS4216, this pin is a no connect. The FILT pin is only used when employing the SM3 Multiplier sub-mode. When using this sub-mode, a 0.47uF capacitor must be connected from the FILT pin to AGND. When not using the Multiplier sub-mode, this pin may remain unconnected.

Serial Modes

The CS4218 supports Serial Modes 3 and 4 of the CS4216. In addition, the CS4218 provides the SM3 Multiplier sub-mode and Serial Mode 5, which are not provided on the CS4216.

The CS4218 does not support Serial Modes 1 and 2 of the CS4216.

Decimation and Interpolator Filter Responses

The CS4218 and CS4216 use different digital filters for the ADC decimators and DAC interpolators.

Tables A1 and A2 provide a comparison between each codec's filter responses.

Parameter	Units	CS4218	CS4216
Passband	Hz	0-0.4Fs	0-0.45Fs
Passband Ripple	dB	± 0.1	± 0.2
Transition Band	Hz	0.4-0.6Fs	0.45-0.55
Stop Band	Hz	0.6Fs	0.55Fs
Stop Band Rejection	dB	74dB	80dB
Group Delay	sec	8/Fs	16/Fs

TABLE A1: Decimation Filter Comparison

Parameter	Units	CS4218	CS4216
Passband	Hz	0-0.4Fs	0-0.45Fs
Passband Ripple	dB	± 0.1	± 0.1
Transition Band	Hz	0.4-0.6Fs	0.45-0.55 Fs
Stop Band	Hz	0.6Fs	0.55Fs
Stop Band Rejection	dB	74dB	74dB
Group Delay	sec	8/Fs	16/Fs

TABLE A2: Interpolation Filter comparison

Digital Power Supplies and Input Logic Levels

The CS4218 and CS4216 both require that the analog power supply be 5V +/- 0.25V.

The CS4218 digital power supply can operate from 5V +/- 0.25V and 3.3V +/- 0.3V. When operated from a 5V supply, the CS4218 is TTL and CMOS compatible inputs & outputs. When operated from a 3.3V power supply, the CS4218 is LVTTTL and LVCMOS compatible.

In comparison, the CS4216 operates from a 5V +/- 0.25V power supply. It provides only CMOS logic level inputs. The CS4216 requires level-translation logic (using the 74HCT family) when interfacing it's inputs with TTL logic.

Appendix B: Applications of SM4

Figure B1 illustrates one method of using Serial Mode 4 wherein a DSP controls the audio serial port and a microcontroller controls the control port. Each controller is run independently and the micro updates the control information only when needed, or when an interrupt from the CS4218 occurs.

Figure B2 illustrates the minimum interface to the CS4218. In this application, the DSP sends and receives stereo DAC and ADC information. The CS4218 is configured for 32 bits per frame, Master sub-mode. The control data resets to all zeros, which configures the CS4218 as a simple stereo codec: no gain, no attenuation, line inputs #1, and DAC outputs not muted.

Figure B3 illustrates how to use all the CS4218 features with a low cost DSP that cannot support the interrupt rate of SM3. Using SM4 (32 bits per frame, Master sub-mode) reduces the DSP interrupts in half since the control data is split from the audio data. This circuit is comprised of three independent sections which may individually be eliminated if not needed.

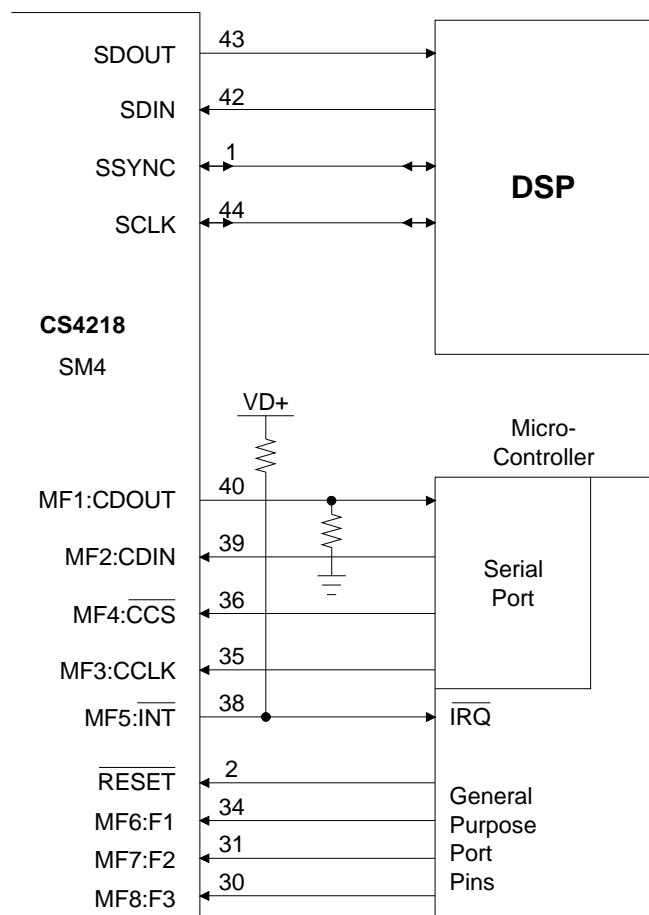


Figure B1. SM4 - Microcontroller Interface

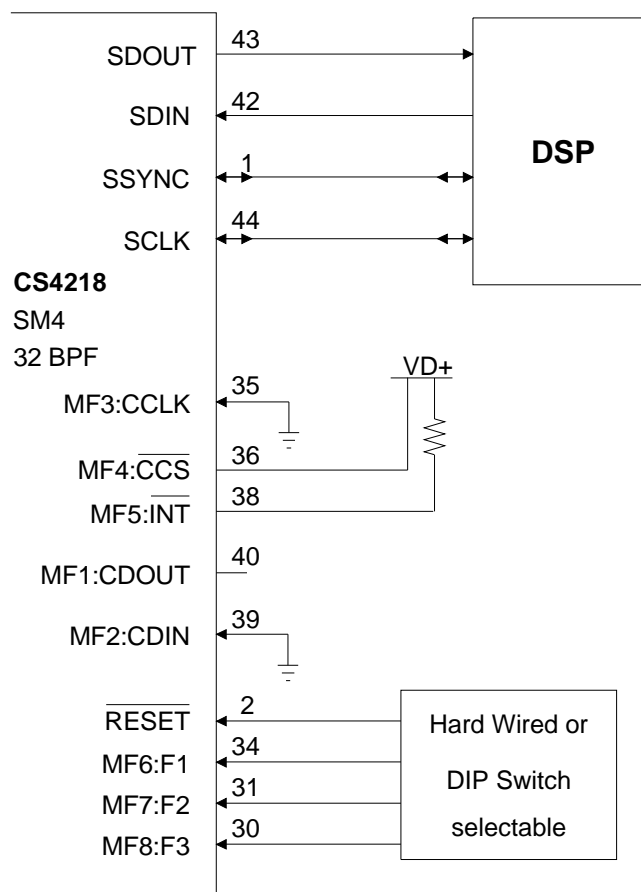


Figure B2. SM4 - Minimum DSP Interface

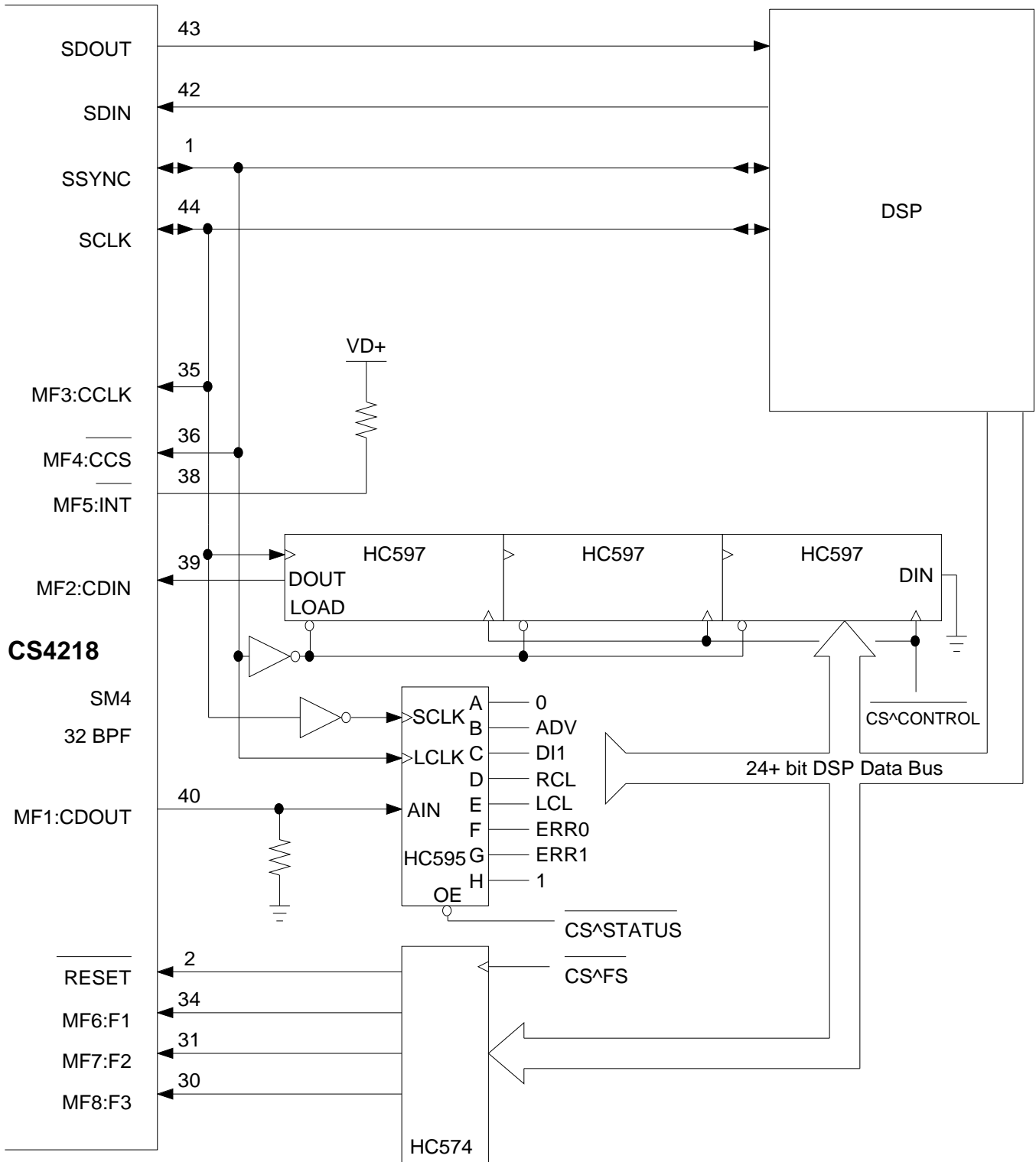


Figure B3. SM4 - Enhanced DSP Interface

To load control data into the codec, three HC597's are utilized. These are the latches that store the DSP-sent control data, and shift registers that shift the data into the codec. The codec uses an inverted SSYNC signal to copy the latches to the shift registers every frame. In this diagram the DSP is assumed to have a data bus bandwidth of at least 24 bits. If the DSP has less than 24-bits, the three HC597s must be split into two addresses. Since the HC597 internal latches are copied to the shift registers, the latches continually hold the DSP-sent data; therefore, the DSP only needs to write data to the latches when a change is desired.

The second section is comprised of an HC595 shift register and latch that is clocked by an inverted SCLK. The data shifted into the HC595 is transferred to the HC595's latch by the SSYNC signal. This HC595 captures the 8 bits prior to the SSYNC signal (which is also MF4:CCS) going high. As shown in Figure 12, and assuming the MF4:CCS (SSYNC) signal rises at bit 32, the 8-bits prior to MF4:CCS rising are a copy of all the important status bits. This allows one shift register to capture all the important information. The interrupt pin cannot reliably be used in this configuration since the interrupt pin is cleared by reading the control port which occurs asynchronously (every audio frame) with respect to the interrupt occurrence.

The third section is only needed if sample frequencies need to be changed. This section is comprised of an HC574 octal latch that can be replaced by general purpose port pins if available. This section controls the sample frequency selection bits: MF6:F1, MF7:F2, MF8:F3 and the RESET pin. A change in sample rate automatically initiates a calibration cycle.

Appendix C: Setting CLKIN/SCLK Ratio for Desired Sample Rate

In Slave sub-modes, the CS4218 detects the ratio between the CLKIN and SCLK rates and sets the internal sample rate accordingly. The following formula can be used to determine the ratio of CLKIN to SCLK for any desired sample rate for both Serial Modes 3 and 4, Slave sub-modes.

$$\frac{CLKIN}{SCLK} = \frac{(256 \times F_{smax})}{(BPF \times F_s)}$$

where:

CLKIN = Master clock input

In SM3 Multiplier Slave sub-mode, CLKIN is replaced by 16* CLKIN.

SCLK = Serial port bit clock.

F_{smax} = Maximum system sample rate.

F_s = Desired sample rate.

BPF = The number of bits per frame (256, 128, 64 or 32)

Example 1: SM3-S, F_{smax} = 48 kHz, F_s = 8 kHz, BPF = 64

$$\frac{CLKIN}{SCLK} = \frac{(256 \times 48000)}{(64 \times 8000)} = \frac{12.288 \text{ MHz}}{512 \text{ kHz}} = 24$$

Example 2: SM4-S, F_{smax} = 8 kHz, F_s = 8 kHz, BPF = 32

$$\frac{CLKIN}{SCLK} = \frac{(256 \times 8000)}{(32 \times 8000)} = \frac{2.048 \text{ MHz}}{256 \text{ kHz}} = 8$$



Smart *Analog*TM is a Trademark of Crystal Semiconductor Corporation