

High Power Transmit Combiners For AMPS/GSM 800 - 960 MHz

PD60 AMPS/GSM Series

V2.00

Features

- Low Loss
- High Power Handling
- Integral Heat Sink
- High Isolation
- Low VSWR
- Low Cost

Description

M/A-COM's High Power Transmit Combiners are designed to provide a low loss method of combining signals from multiple amplifiers or transmitters in a number of cellular bands. High power internal components and an integral heat sink enable the devices to combine no-coherent 50-Watt signals. The housing and heat sink are fabricated as one piece for optimum heat transfer and low cost. Microstrip construction offers a design that is cost effective and highly repeatable.

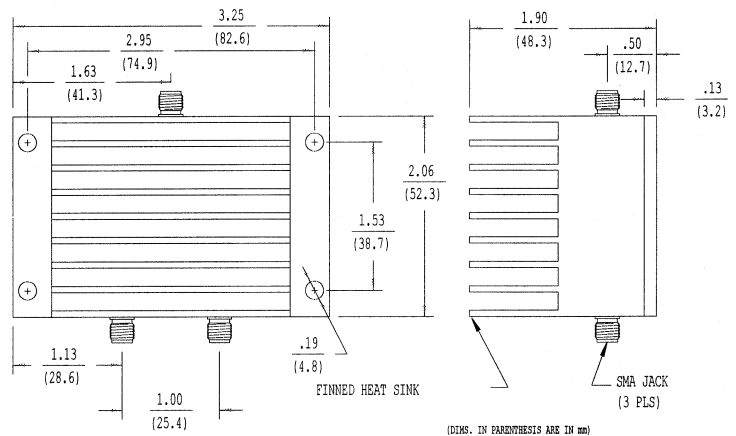


Figure 1

Ordering Information and Typical Performance Specifications 800-960 MHz

Part Number	Figure	Channels	VSWR	Insertion Loss	Amplitude Balance	Isolation	Max. Input Power	Forced Air Cooling* CFM (+60°C)
PD60-0001-02S	1	2	1.10:1	0.10dB	0.05dB	26dB	50W/input	30
PD60-0014-04S	2	4	1.10:1	0.22dB	0.10dB	26dB	50W/input	45
PD60-0004-05S	3	5	1.20:1	0.4dB	0.12dB	26dB	50W/input	50
PD60-0015-06S	4	6	1.20:1	0.4dB	0.20dB	24dB	50W/input	50

Operating Temperature: -40° to +60°C. Impedance: 50 Ohms nominal.

*If the input power level or ambient temperature is lowered, the forced air requirement can be reduced.

Options

This device can be provided with type N connectors or increased power handling capability. M/A-COM also offers a wide selection of cost effective devices for combining and dividing any number of channels in popular cellular transmit and receive bands. Please consult our factory for more information.

Figure 2

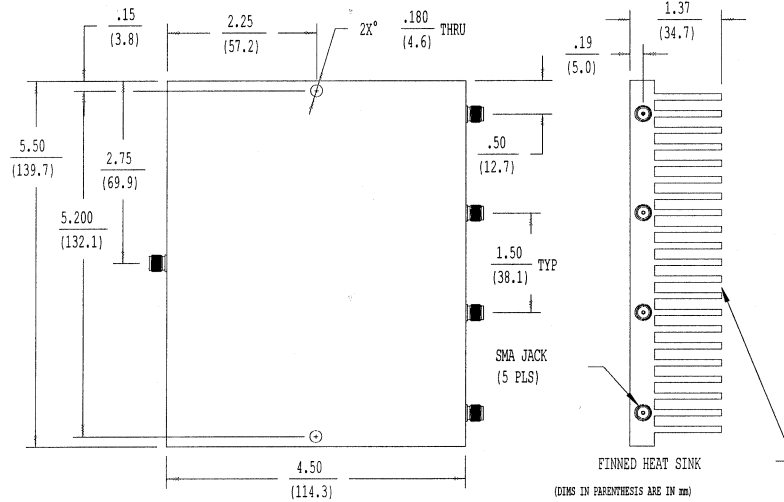


Figure 3

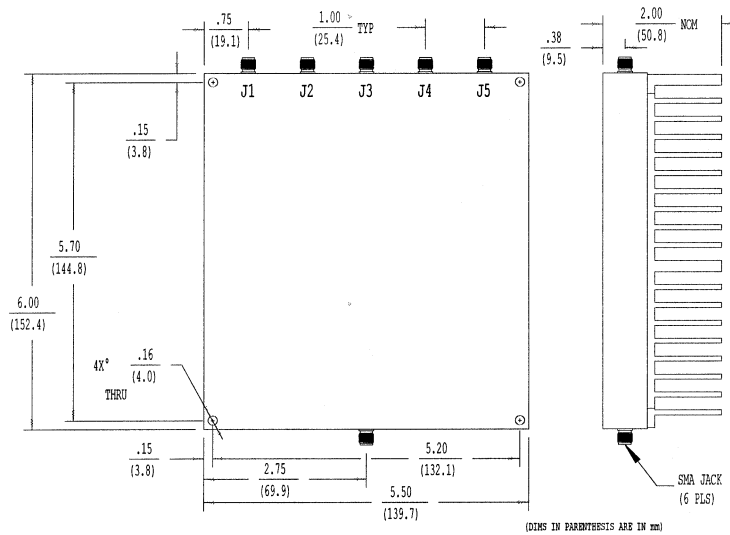


Figure 4

