

2.5W × 2 Class AB Audio Power Amplifier

PT2305

DESCRIPTION

The PT2305 is an audio power amplifier utilizing CMOS Technology specially designed for audio purpose. It can deliver 2.5W × 2 power output to the 4Ω load. The power consumption is very low in stand-by. Total harmonic distortion is lower than 0.03%. The output structure is BTL (Bridge-Tied Load) mode for driving speaker load mode. Built-in over-temperature protection, package size is not occupies PCB space. It is suitable for small or portable products.

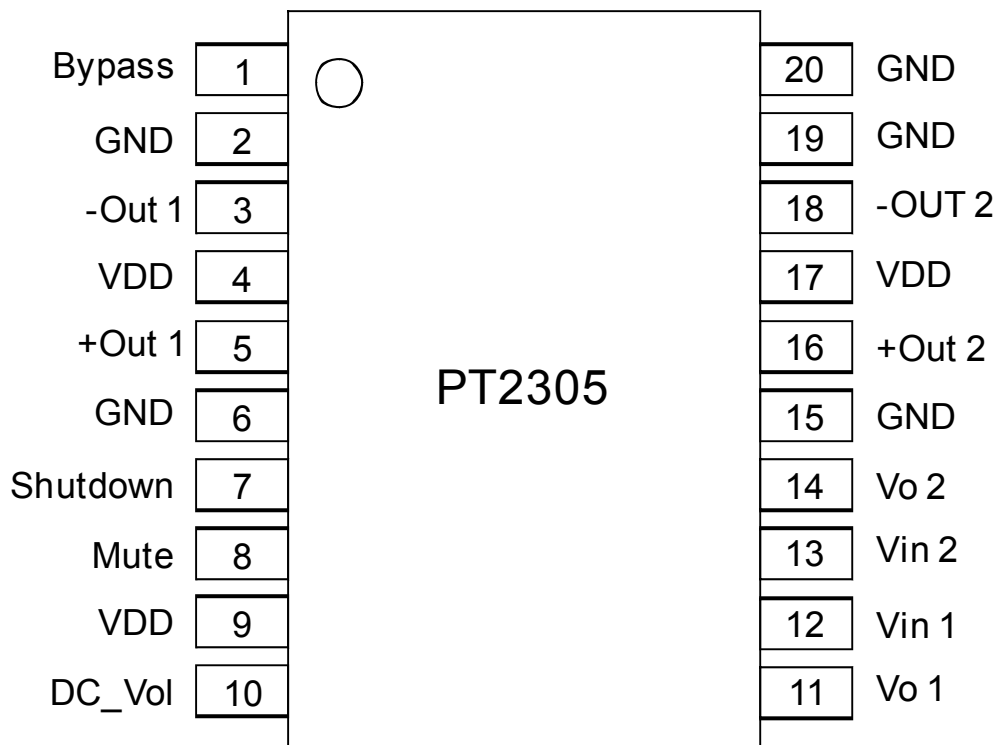
FEATURES

- CMOS Technology
- Operating voltage: 2.7V ~ 6V
- Output power 2.5W × 2 (4Ω/10%THD)
- Built-in 31 steps volume controller
- Suppress the pop and click noise when mode changed
- Extreme low current consumption in Shutdown mode ($I_{cc} < 0.7\mu A$)
- Built-in over temperature protection

APPLICATIONS

- LCD monitor or TV
- Portable audio
- Multimedia speakers
- Other audio applications

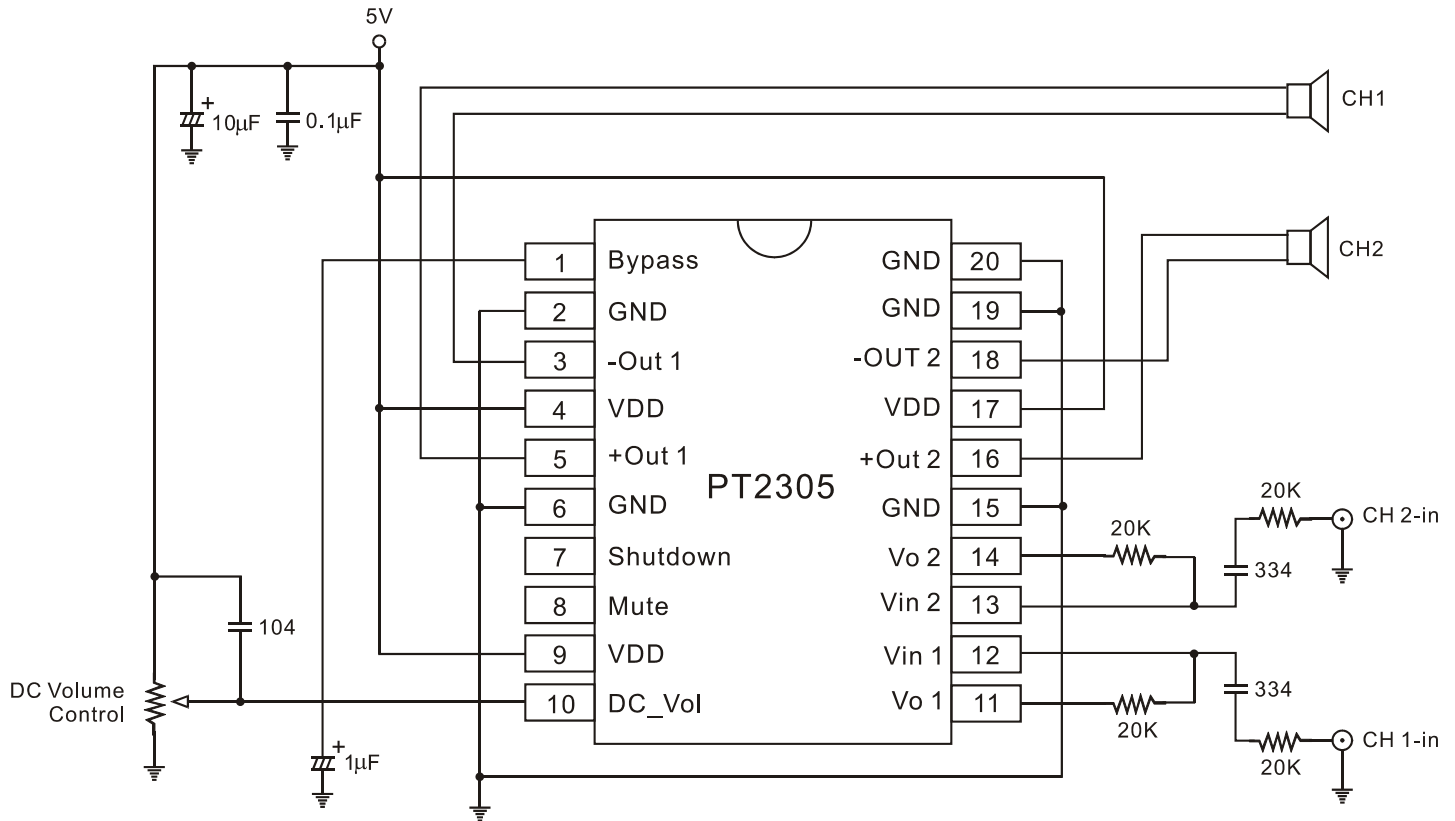
PIN CONFIGURATION



2.5W × 2 Class AB Audio Power Amplifier

PT2305

APPLICATION CIRCUIT



ORDER INFORMATION

Valid Part Number	Package	Top Code
PT2305	20 Pins, TSSOP, 173mil	PT2305
PT2305-S	20 Pins, SOP, 300mil	PT2305-S
PT2305-D	20 Pins, DIP, 300mil	PT2305-D
PT2305 (L)	20 Pins, TSSOP, 173mil	PT2305
PT2305-S (L)	20 Pins, SOP, 300mil	PT2305-S
PT2305-D (L)	20 Pins, DIP, 300mil	PT2305-D

Notes:

1. (L) = Lead Free
2. The Lead Free mark is put in front of the date code.