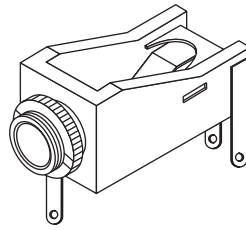


# Phone Jack

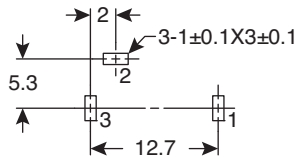
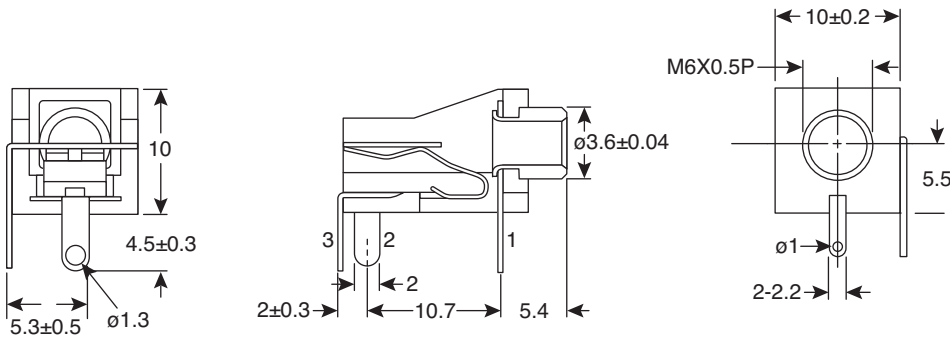
161-3400-EX



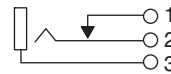
Phone Jack



161-3400-EX



PCB Hole Layout



Circuit Diagram

**Dimensions: mm.**  
Tolerance:  $\pm 0.12"$  (.3mm)  
(except where noted)

SPECIFICATIONS	
Type:	3.5mm mono jack with switch
Contact resistance:	30m $\Omega$ max.
Insulation resistance:	100M $\Omega$ min. @ 500VAC
Breakdown voltage:	500VAC for 1 minute
Knurled nut:	$\phi 6 \times .5$ mm
RoHS Compliant by Exemption	

Date Last Revised: 08/19/09

Available from Mouser Electronics  
1-800-346-6873 / [www.mouser.com](http://www.mouser.com)

KC-301374

161-3400-EX