

AT-160160A

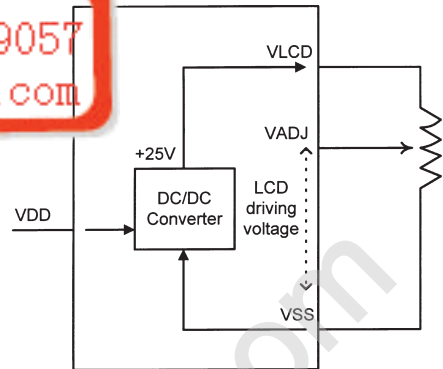
•160x160 dots 1/160 Duty

FEATURE

- 1.Construction : FSTN LCD, TAB, IC, and PCB
- 2.Option : EL backlight, EL driver, Touch Panel, T/P controller
- 3.Built-in Controller / Pure Driver
- 4.5V or 3.3V single power input. Built-in DC/DC converter for LCD driving.
- 5.Normal / Extended temperature

液晶之友 电话: 020-33819057
<http://www.lcdfriends.com>

POWER SUPPLY



ELECTRICAL CHARACTERISTICS

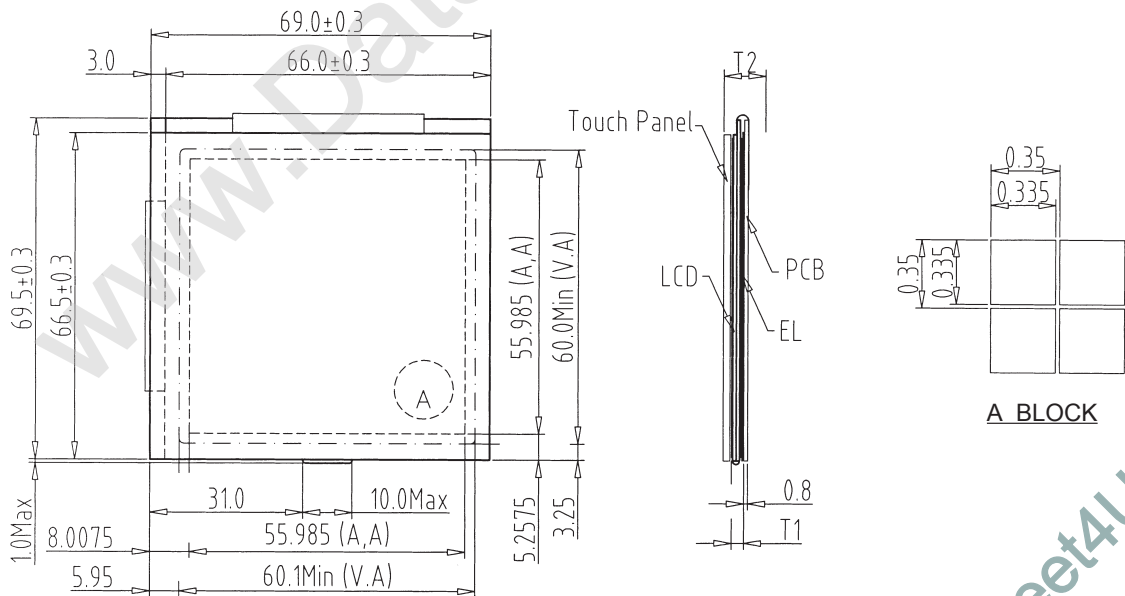
Parameter	Symbol	Condition	Typ.Value	Unit.
LCD Driving Voltage	VADJ-VSS	25°C	19.0	V
Supply Current (Controller)	IDD	VDD=5V	40	mA
Supply Current (Driver)	IDD	VDD=5V	20	mA

BUILT-IN CONTROLLER

1	2	3	4	5	6	7	8	9	10	11	12
/REST	/RD	/WR	/CS	A0	DB0	DB1	DB2	DB3	DB4	DB5	DB6
13	14	15	16	17	18	19	20	21	22	23	24
DB7	VDD	VSS	VLCD	VADJ	EL_ON	X1	X2	Y1	Y2	NC	NC

PURE DRIVER

1	2	3	4	5	6	7	8	9	10
D0	D1	D2	D3	/DISPOFF	FLM	NC	LP	CP	VDD
11	12	13	14	15	16	17	18	19	20
VSS	VLCD	VADJ	EL_ON	X1	X2	Y1	Y2	NC	NC



THICKNESS:

VERSION	T1	T2
NO BACKLIGHT	1.9 ± 0.3	6.0Max
EL BACKLIGHT	2.5 ± 0.3	8.5Max
Touch Panel	4.4 ± 0.3	10.5Max

www.DataSheet4U.com