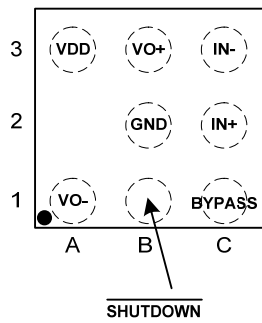

1.25 W, Mono, Fully Differential Audio Power Amplifier

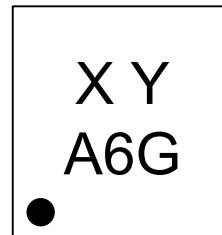
www.datasheet4u.com

Pin Configurations

**CSP8 Package
(Top View)**



CSP8 Marking

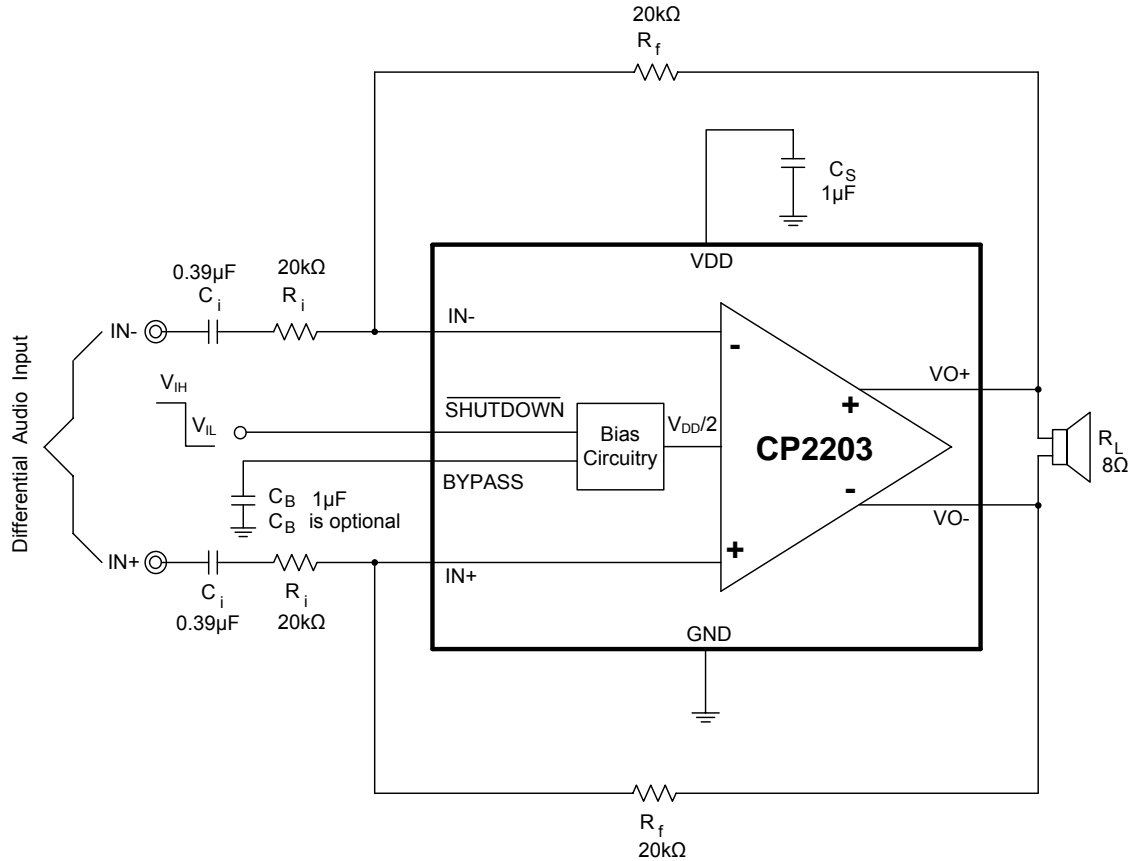


XY- Manufacture Date Dode
A6G - CP2203GITLX

1.25 W, Mono, Fully Differential Audio Power Amplifier

Typical Application

www.datasheet4u.com



Contact with Chiphomer

4F, Building D, 1618 Yishan Road Shanghai, 201103, P.R.C.

Tel: (86)21-64014543 64058488

Fax: (86)21-64050030

Sale: sales@chiphomer.com

Technical support: support@chiphomer.com

Web site: www.chiphomer.com

Shenzhen Office:

10D, Building 2, Dushi Yangguang Garden CheGongMiao, Futian District, Shenzhen, 518048, P.R.C.

Tel: (86)755-82046706 82047789

Fax: (86)755-8204670