
MSM6927/6947

1200 bps Single Chip FSK MODEM

GENERAL DESCRIPTION

The MSM6927 and the MSM6947 are OKI's 1200 bps single chip modem series which transmit and receive serial, binary data over a switched telephone network using frequency shift keying(FSK).

The MSM6927 is compatible with ITU-T V.23 series data sets, while the MSM6947 is compatible with Bell 202 series data sets.

These devices provide all the necessary modulation, demodulation, and filtering required to implement a serial, asynchronous communication link.

OKI's single chip modem series is designed for users who are not telecommunication experts and are easy to use cost effective alternative to standard discrete modem design.

CMOS LSI technology provides the advantages of small size, low power, and increased reliability.

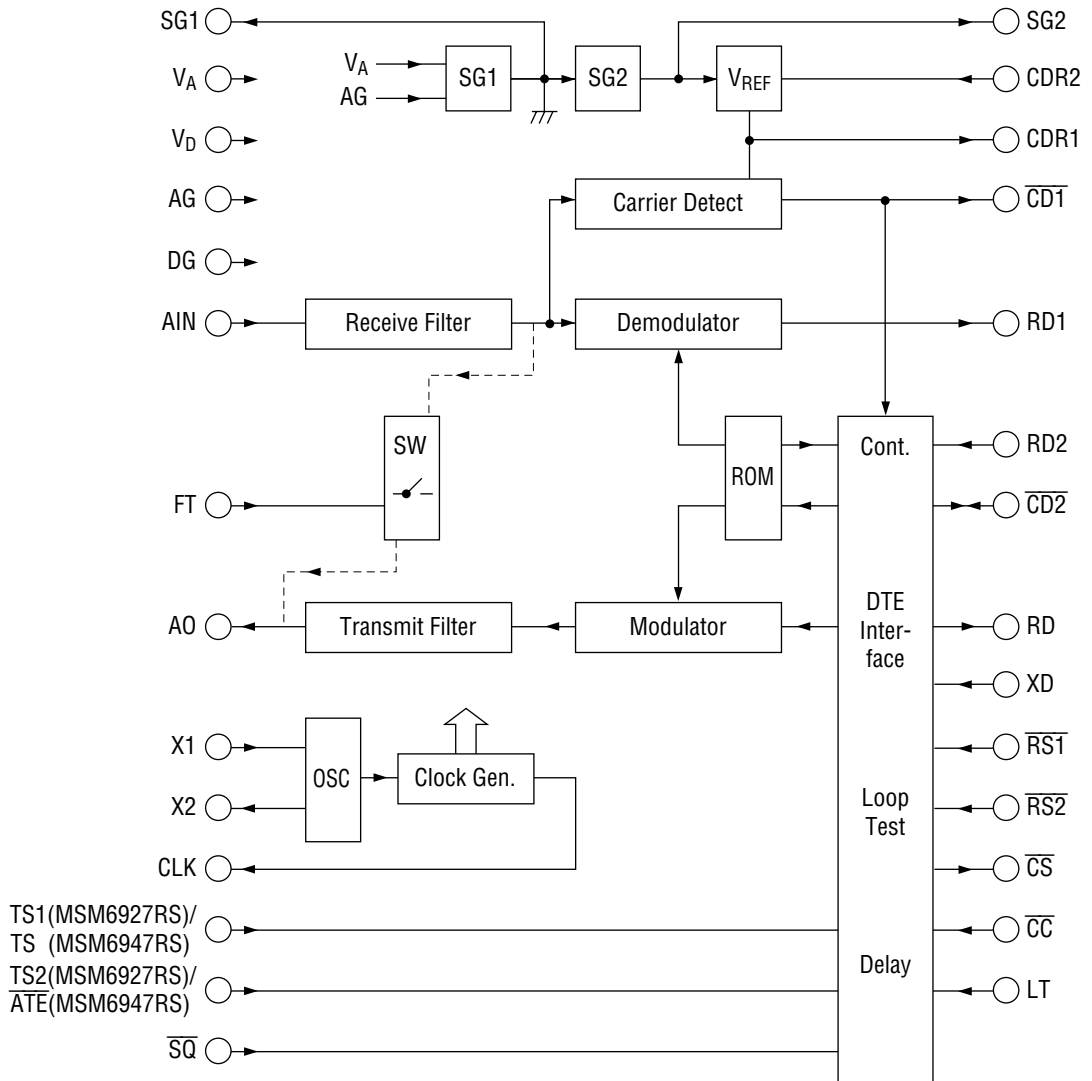
The design of the integrated circuit assures compatibility with a broad base of installed low speed modems and acoustic couplers. Applications include interactive terminals, desk top computers, point of sale equipment, and credit verification systems.

FEATURES

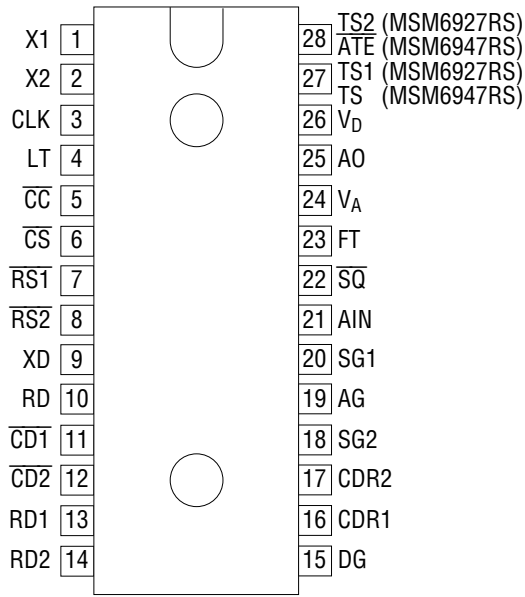
- Compatible with ITU-T V.23 (MSM6927)
- Compatible with BELL 202 (MSM6947)
- CMOS silicon gate process
- Switched capacitor and advanced CMOS analog technology
- Data rate from 0 to 1200 bps
- Half duplex (2-Wire)
- Receive squelch delay
- Selectable built-in timers and external delay timers possible
- All filtering, modulation, demodulation, and DTE interface on chip
- Crystal controlled oscillator on chip
- TTL compatible digital interface
- Low power dissipation: 90 mW Typ.
- Package options:

28-pin plastic DIP	(DIP28-P-600-2.54)	(Product name: MSM6927RS)
		(Product name: MSM6947RS)
44-pin plastic QFP	(QFP44-P-910-0.80-K)	(Product name: MSM6927GS-K)
	(QFP44-P-910-0.80-2K)	(Product name: MSM6947GS-K)
		(Product name: MSM6927GS-2K)

BLOCK DIAGRAM

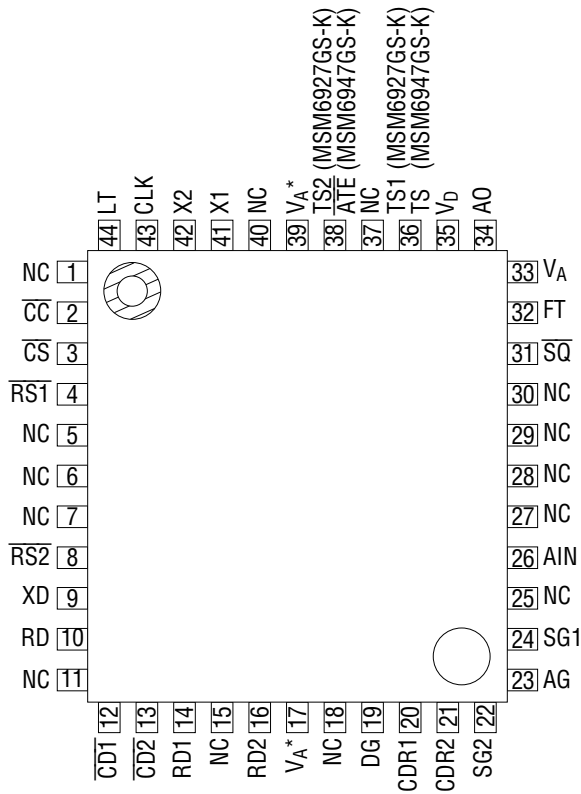


PIN CONFIGURATION (TOP VIEW)



28-Pin Plastic DIP

Note: All pin descriptions except No. 27 pin and No. 28 pin are same for both MSM6927RS and MSM6947RS.



44-Pin Plastic QFP

Notes: All pin description except No. 36 pin and No. 28 pin are same for both MSM6927GS-K and MSM6947GS-K.

*: Both No. 17 pin and No. 39 pin are set to be at V_A level by setting No. 33 pin at V_A level.

NC: No connect pin

PIN DESCRIPTIONS

Power

Name	Pin No.		I/O	Description
	RS	GS-K		
DG	15	19	—	Ground reference of V_D (digital ground)
AG	19	23	—	Ground reference of V_A (digital ground)
V_A	24	33	—	Supply voltage (+12 V nominal)
V_D	26	35	—	Supply voltage (+5 V nominal)

Clocks

Name	Pin No.		I/O	Description
	RS	GS-K		
X1	1	41	—	Master clock timing is provided by either a series resonant crystal (3.579545 MHz \pm 0.01%) connected across X1 and X2, or by an external TTL/CMOS clock driving X2 with AC coupling. In this latter case, X1 is left unconnected. See Fig. 10.
X2	2	42	—	
CLK	3	43	0	873.9 Hz clock output. This clock is used to implement external delay circuits etc.

Control

Name	Pin No.		I/O	Description
	RS	GS-K		
LT	4	44	I	Digital loop back test. During digital "High", any data sent on the X _D pin will appear on the RD pin, and any data sent on the $\overline{RS1}$ pin will immediately appear on the \overline{CS} pin. Any data demodulated from the received carrier on the A _{IN} pin will be the modulated data to implement the transmitted carrier. In this case, sending the transmitted carrier to the phone line depends on the \overline{CC} , but never on $\overline{RS1}$.
\overline{CC}	5	2	I	During digital loop back test, the data on this pin becomes a control signal for sending the transmitted carrier to the phone line in place of $\overline{RS1}$.
$\overline{RS2}$	8	8	I	When an external circuit gives the RS/CS delay time which is not within the device as required, this pin should be connected to the external circuit output. See Fig. 11-1 or Fig. 11-2 for MSM6927, MSM6947 respectively.
$\overline{CD1}$	11	12	O	The fast carrier detection output. This pin is internally connected to the input of the built-in carrier detect delay circuit. When an external delay circuit provides the delay time which is not within the device as required, the $\overline{CD1}$ should be connected to the external circuit input. See Fig. 11-1 or Fig. 11-2 for MSM6927, MSM6947 respectively.
$\overline{CD2}$	12	13	I/O	When an external circuit gives the carrier detect delay time which is not within the device as required, this pin becomes the input pin for the external circuit output signal. In other cases (when using the delay time within the device, the data on the TS1 (TS) or TS2 is not digital "High"), this pin becomes the Carrier detect signal output.
RD1	13	14	O	The RD1 data is demodulated data from the received carrier and the RD2 is the input of the following logic circuits referred to in Fig. 12-1 and Fig. 12-2. for MSM6927 and MSM6947, respectively. Usually, the RD1 data is input directly to RD2. In some cases, as input data to RD2, the data that is controlled by NCU (Network control unit) etc. may be required in stead of the RD1 data.
RD2	14	16	I	
CDR1	16	20	O	These two pins are the output (CRD1) and inverting input (CDR2) of the buffer operational amplifier of which the noninverting input is connected to the built-in voltage reference, stabilized to variations in the supply voltage and temperature. See Fig. 13. An adequate carrier-detect level can be set by selecting the ratio of R ₈ to R ₉ . Therefore, the loss in the received carrier level by phone-line transformer can be compensated by adjusting the ratio of R ₈ to R ₉ . R ₈ + R ₉ should be greater than 50 k Ω .
CDR2	17	21	I	
\overline{SQ}	22	31	I	When the data rate is 1200 bps and in half duplex mode on two-wire facilities, the delay function called as receiver-squelch is required. In case of four wire facilities, this function is not usually required. When a digital "High" is input to the \overline{SQ} pin, this function is omitted.
FT	23	32	I	This pin may be used for device tests only. During digital "High", the A ₀ pin will be connected to receiving filter output instead of transmitting filter output.

Both MSM6927RS (or GS-K) and MSM6947RS (or GS-K) have 28 (or 44) pins. The pin descriptions for these 28 (or 44) pins are same except those for No. 27 (or No. 36) pin and No. 28 (or No. 38). The pin descriptions for No. 27 (or No. 36) pin and No. 28 (or No. 38) pin are described as follows.

MSM6927

Name	Pin No.		I/O	Description
	RS	GS-K		
TS1	27	36	I	RS/CS delay and carrier detect delay options referred to chapter about timing characteristics are selected by TS1 and TS2 inputs. Be careful that each delay can not be individually selected. If another delay time than the ones within the device are required as an option, input a digital "High" to the TS1 and TS2 pin and implement the external delay circuits to obtain the desired delay characteristics. In this case, the CD2 pin becomes not only the input for the external circuit output signal, but also the Carrier detect output. See Fig. 11-1.
TS2	28	38	I	

MSM6947

Name	Pin No.		I/O	Description
	RS	GS-K		
TS	27	36	I	When a digital "Low" is input to the TS pin, the built-in RS/CS, carrier detect and receiver-squelch delay are provided. If another delay time is required, it can be implemented by inputting a digital "High" to this pin and incorporates the external delay circuits. In this case, the $\overline{CD2}$ pin becomes not only the input for the external circuit output signal, but also the Carrier detect output. See Fig. 11-2.
\overline{ATE}	28	38	I	Answer tone enable input. When a digital "Low" is input to this pin and the $\overline{RS1}$ pin is in the digital "Low" level, the Answer Tone (to 2025 Hz) is sent over the phone line via the A_0 pin.

Input/Output

Name	Pin No.		I/O	Description
	RS	GS-K		
\overline{CS}	6	3	0	Clear to send signal output. The digital "High" level indicates the "OFF" state and digital "Low" indicates the "ON" state. This output goes "Low" at the end of a delay (RS/CS delay) initiated when $\overline{RS\overline{T}}$ (Request to send) goes "Low".
$\overline{RS\overline{T}}$	7	4	I	Request to send signal input. The digital "High" level indicates the "OFF" state. The digital "Low" level indicates the "ON" state and instructs the modem to enter the transmit mode. This input must remain "Low" for the duration of data transmission. "High" turns the transmitter off.
XD	9	9	I	This is digital data to be modulated and transmitted via A_0 . Digital "High" will be transmitted as "Mark". Digital "Low" will be transmitted as "Space". No signal appears at A_0 unless $\overline{RS\overline{T}}$ is "Low".
RD	10	10	0	Digital data demodulated from A_{IN} is serially available at this output. Digital "High" indicates "Mark" and digital "Low" indicates "Space". For example, under the following condition, this output is forced to be "Mark" state because the data may be invalid. <ul style="list-style-type: none"> • When $\overline{CD\overline{2}}$ (Carrier detect) is in the "OFF" state. • When SQ is in digital "Low" (two-wire facilities) and $\overline{RS\overline{T}}$ is in the "ON" state. • During the receive data squelch delay at half duplex operation on two wire facilities.
SG2	18	22	0	The SG1 and ST2 are built-in analog signal grounds. SG2 is used only for Carrier detect function. The DC voltage of SG1 is approximately 6 V, so the analog line interface must be implemented by AC coupling. See Fig. 9. To make impedance lower and ensure the device performance, it is necessary to put bypass capacitors on SG1 and SG2 in close physical proximity to the device.
SG1	20	24	0	
A_{IN}	21	26	I	This is the input for the analog signal from the phone line. The modem extracts the information in this modulated carrier and converts it into a serial data stream for presentation at RD output.
A_0	25	34	0	This analog output is the modulated carrier to be conditioned and sent over the phone line.

ABSOLUTE MAXIMUM RATINGS

Parameter	Symbol	Condition	Rating	Unit
Power Supply Voltage	V _A	T _a = 25°C With respect to AG or DG	-0.3 to 15	V
	V _D		-0.3 to 7	
Analog Input Voltage *1	V _{IA}		-0.3 to V _A + 0.3	
Digital Input Voltage *2	V _{ID}		-0.3 to V _D + 0.3	
Operating Temperature	T _{op}	—	0 to +70	°C
Storage Temperature	T _{STG}	—	-55 to 150	

*1 CDR2, A_{IN}

*2 X1, LT, CC, RS1, RS2, XD, CD2, RD2, SQ, FT, TS1 (TS), TS2 (ATE)

*3 CD2 is I/O terminal

RECOMMENDED OPERATING CONDITIONS

Parameter	Symbol	Condition	Min.	Typ.	Max.	Unit
Power Supply Voltage	VA	With respect to AG	10.8	12.0	13.2	V
	VD	With respect to DG	4.75	5.00	5.25	
	AG, DG	—	—	0	—	
Operating Temperature	T _{op}	—	0	—	70	°C
CRYSTAL	—	—	—	3.579545	—	MHz
R ₁	—	Transformer impedance = 600 Ω	—	600	—	Ω
R ₂	—	—	—	51	—	kΩ
R ₃	—		—	51	—	
R ₄	—		—	51	—	
R ₅	—		—	51	—	
R ₆	—		—	51	—	
R ₇	—		—	51	—	
R ₈	—		—	33	—	
R ₉	—		—	51	—	
C _{0, C₁}	—		—	—	0.047	
C ₂	—	—		2.2	—	
C ₃	—	22		—	—	
C ₄	—	0.01		—	—	
C ₅	—	—		10	—	
C ₆	—	—		10	—	

Application circuits using above conditions are provided in Fig. 8.

ELECTRICAL CHARACTERISTICS

DC and Digital Interface Characteristics

($V_A = 12\text{ V} \pm 10\%$, $V_D = 5\text{ V} \pm 5\%$, $T_a = 0\text{ to }70^\circ\text{C}$)

Parameter	Symbol	Condition	Min.	Typ.	Max.	Unit
Power Supply Current	I_A	Ordinary operation	—	7.5	15.0	mA
	I_D		—	1.0	2.0	
Input Leakage Current	I_{IL}	$V_I = 0\text{ V}$	-10	—	10	μA
	I_{IH}	$V_I = V_D$	-10	—	10	
Input Voltage	V_{IL}	—	0	—	0.8	V
	V_{IH}	—	2.2	—	V_D	
Output Voltage	V_{OL}	$I_{OL} = 1.6\text{ mA}$	0	—	0.4	
	V_{OH}	$I_{OH} = 400\ \mu\text{A}$	$0.8 \times V_D$	—	V_D	

*1 LT, \overline{CC} , $\overline{RS1}$, $\overline{RS2}$, XD, $\overline{CD2}$, RD2, \overline{SQ} , FT, T_{S1} (TS), T_{S2} (\overline{ATE})

*2 CLK, \overline{CS} , RD, $\overline{CD1}$, $\overline{CD2}$, RD1

*3 $\overline{CD2}$ is I/O terminal.

Analog Interface Characteristics

1. MSM6927

Transmit carrier out (A_O)

(V_A = 12 V ±10%, V_D = 5 V ±5%, T_a = 0 to 70°C)

Parameter	Symbol	Condition	Min.	Typ.	Max.	Unit
Carrier Frequency	Mark 1 f _M	f _{CRYSTAL} = 3.579545 MHz	1290	1300	1310	Hz
	Space 0 f _S		2090	2100	2100	
Output Resistance	R _{OXA}	—	—	—	200	Ω
Load Resistance	R _{LXA}	—	50	—	—	kΩ
Load Capacitance	C _{LXA}	—	—	—	100	pF
Transmit Level	V _{OXA}	—	4	6	8	*1 dBm
Output Offset Voltage	V _{OSX}	—	$\frac{V_A}{2} - 1$	$\frac{V_A}{2}$	$\frac{V_A}{2} + 1$	V
Out-of-Band Energy (Referred to Carrier Level)	E _{OX}	C ₁ = 0.047 μF	Refer to Fig. 1			dB

Receive carrier input (A_{IN})

Parameter	Symbol	Condition	Min.	Typ.	Max.	Unit
Input Resistance	R _{IRA}	—	100	—	—	kΩ
Receive Signal Level Range	V _{IRA}	—	-48	—	-6	*1 dBm
Carrier Detect Level	ON V _{CD ON}	R _g = 33 kΩ *2 R _g = 51 kΩ	—	—	-43	
	OFF V _{CD OFF}		-48	—	—	
Carrier Detect Hysteresis	H _{YS}	V _{CD ON} - V _{CD OFF}	2	—	—	dB

Receive filter

Parameter	Symbol	Condition	Min.	Typ.	Max.	Unit
Group Delay Distortion	D _{DL}	1100 to 2300 Hz	—	210	—	μs

Notes: *1 0 dBm = 0.775 Vrms

*2 The resistor values are typical

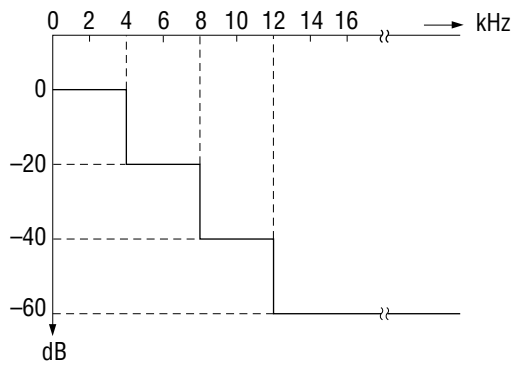


Figure 1 MSM6927 Out-of-Band Energy Referred to Carrier Level ($C_1 = 0.047 \mu\text{F}$)

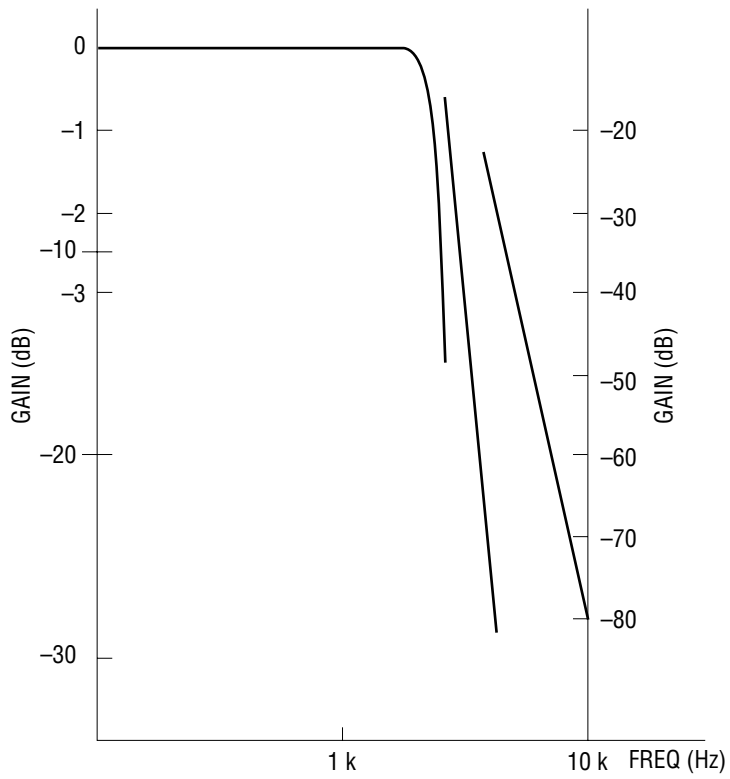


Figure 2 MSM6927 Transmit Filter

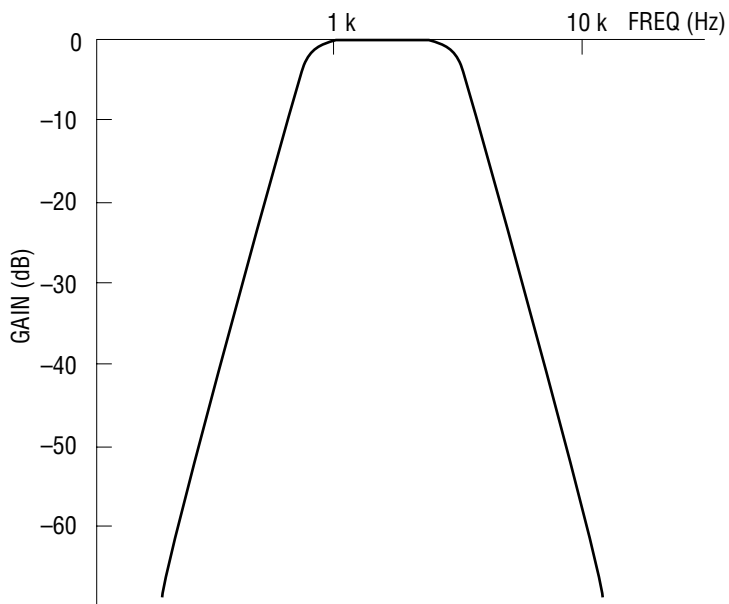


Figure 3 MSM6927 Receive Filter

2. MSM6947

Transmit carrier out (A_O)

($V_A = 12\text{ V} \pm 10\%$, $V_D = 5\text{ V} \pm 5\%$, $T_a = 0\text{ to }70^\circ\text{C}$)

Parameter	Symbol	Condition	Min.	Typ.	Max.	Unit
Carrier Frequency	Mark 1 f_M	$f_{\text{CRYSTAL}} = 3.579545\text{ MHz}$	1190	1200	1210	Hz
	Space 0 f_S		2190	2200	2210	
Answer Tone Frequency	f_A	$\overline{\text{ATE}} = "0"$	2019	2025	2031	
Output Resistance	R_{OXA}	—	—	—	200	Ω
Load Resistance	R_{LXA}	—	50	—	—	k Ω
Load Capacitance	C_{LXA}	—	—	—	100	pF
Transmit Level	V_{OXA}	—	4	6	8	*1 dBm
Output Offset Voltage	V_{OSX}	—	$\frac{V_A}{2} - 1$	$\frac{V_A}{2}$	$\frac{V_A}{2} + 1$	V
Out-of-Band Energy (Referred to Carrier Level)	E_{OX}	$C_1 = 0.047\ \mu\text{F}$	Refer to Fig. 4			dB

Receive carrier input (A_{IN})

Parameter	Symbol	Condition	Min.	Typ.	Max.	Unit
Input Resistance	R_{IRA}	—	100	—	—	k Ω
Receive Signal Level Range	V_{IRA}	—	-48	—	-6	*1 dBm
Carrier Detect Level	ON $V_{\text{CD ON}}$	$R_8 = 33\text{ k}\Omega$ *2 $R_9 = 51\text{ k}\Omega$	—	—	-43	
	OFF $V_{\text{CD OFF}}$		-48	—	—	
Carrier Detect Hysteresis	H_{YS}	$V_{\text{CD ON}} - V_{\text{CD OFF}}$	0.5	—	—	dB

Receive Filter

Parameter	Symbol	Condition	Min.	Typ.	Max.	Unit
Group Delay Distortion	D_{DL}	1100 to 2300 Hz	—	210	—	μs

Notes: *1 0 dBm = 0.775 Vrms

*2 The resistor values are typical

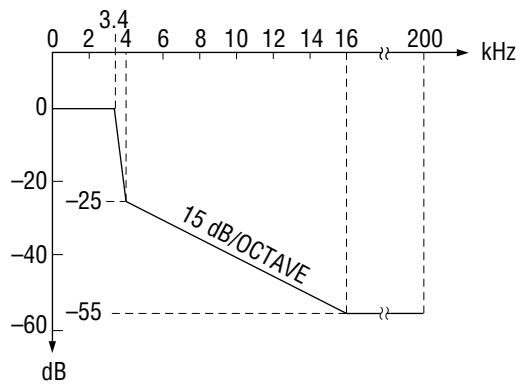


Figure 4 MSM6947 Out-of-Band Energy Referred to Carrier Level ($C_1 = 0.047 \mu\text{F}$)

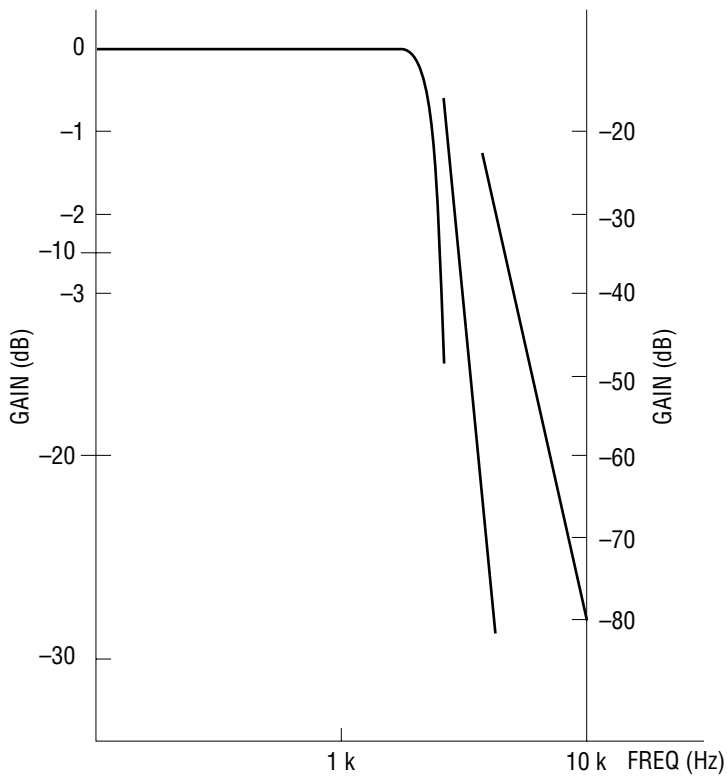


Figure 5 MSM6947 Transmit Filter

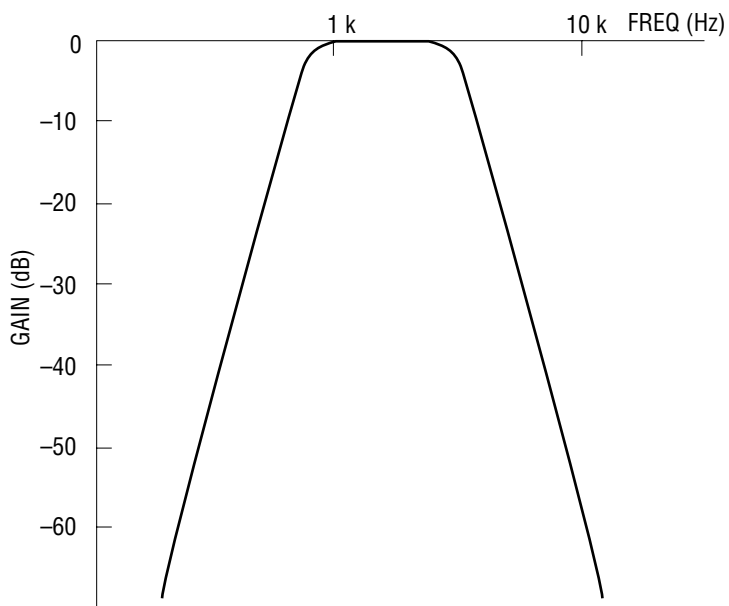


Figure 6 MSM6947 Receive Filter

Demodulated Bit Characteristics

($V_A = 12\text{ V} \pm 10\%$, $V_D = 5\text{ V} \pm 5\%$, $T_a = 0\text{ to }70^\circ\text{C}$)

Parameter	Symbol	Condition	Min.	Typ.	Max.	Unit	
Peak Intersymbol Distortion	ID	Back-to-back over input signal range -6 to -40 dBm. 511-bit test pattern.	—	9	—	%	
Bit Error Rate	BER	Back-to-back with 0.3 to 3.4 kHz flat noise. Receive signal level -25 dBm. 511-bit test pattern	S/N	8 dB	—	10^{-3}	—
				11 dB	—	10^{-5}	—

Timing Characteristics

1. MSM6927

($V_A = 12\text{ V} \pm 10\%$, $V_D = 5\text{ V} \pm 5\%$, $T_a = 0\text{ to }70^\circ\text{C}$)

Parameter	Symbol	Condition	TS2	TS1	Min.	Typ.	Max.	Unit
RS/CS Delay Time	$T_{RC\ ON}$	$\overline{RS1} = "0"$ $\rightarrow \overline{CS} = "0"$	0	0	195	200	205	ms
			0	1	25	30	35	
			1	0	65	70	75	
			1	1	External delay timer			
	$T_{RC\ OFF}$	$\overline{RS1} = "1"$ $\rightarrow \overline{CS} = "1"$	*	*	0	—	0.5	
CD/ON Delay Time	$T_{CD\ ON}$	—	0	0	10	—	25	
			0	1	10	—	25	
			1	0	10	—	25	
			1	1	External delay timer			
CD/OFF Delay Time	$T_{CD\ OF}$	—	0	0	5	—	15	
			0	1	5	—	15	
			1	0	5	—	15	
			1	1	External delay timer			
Soft Turn-OFF Time	T_{ST}	—	*	*	—	10	—	
Receive Data Squelch Delay Time	T_{SQ}	$\overline{SQ} = "0"$ $\overline{RS1} = "1"$ $\rightarrow RD = "1"$ Hold	0	0	145	150	155	
			0	1	145	150	155	
			1	0	35	40	45	
			1	1	External delay timer			

Refer to Fig. 7

Notes: *: Irrespective of I/O condition

2. MSM6947

(V_A = 12 V ±10%, V_D = 5 V ±5%, T_a = 0 to 70°C)

Parameter	Symbol	Condition	TS	Min.	Typ.	Max.	Unit
RS/CS Delay Time	T _{RC ON}	$\overline{RS1} = "0"$ → $\overline{CS} = "0"$	0	175	180	185	ms
			1	External delay timer			
	T _{RC OFF}	$\overline{RS1} = "1"$ → $\overline{CS} = "1"$	*	0	—	0.5	
CD/ON Delay Time	T _{CD ON}	—	0	15	—	35	
			1	External delay timer			
CD/OFF Delay Time	T _{CD OF}	—	0	10	—	20	
			1	External delay timer			
Soft Turn-OFF Time	T _{ST}	—	*	—	10	—	
Receive Data Squelch Delay Time	T _{SQ}	$\overline{SQ} = "0"$ $\overline{RS1} = "1"$ → RD = "1" Hold	0	—	156	—	
			1	External delay timer			

Refer to Fig. 8

Notes: *: Irrespective of I/O condition

+: Reserved

TIMING DIAGRAM

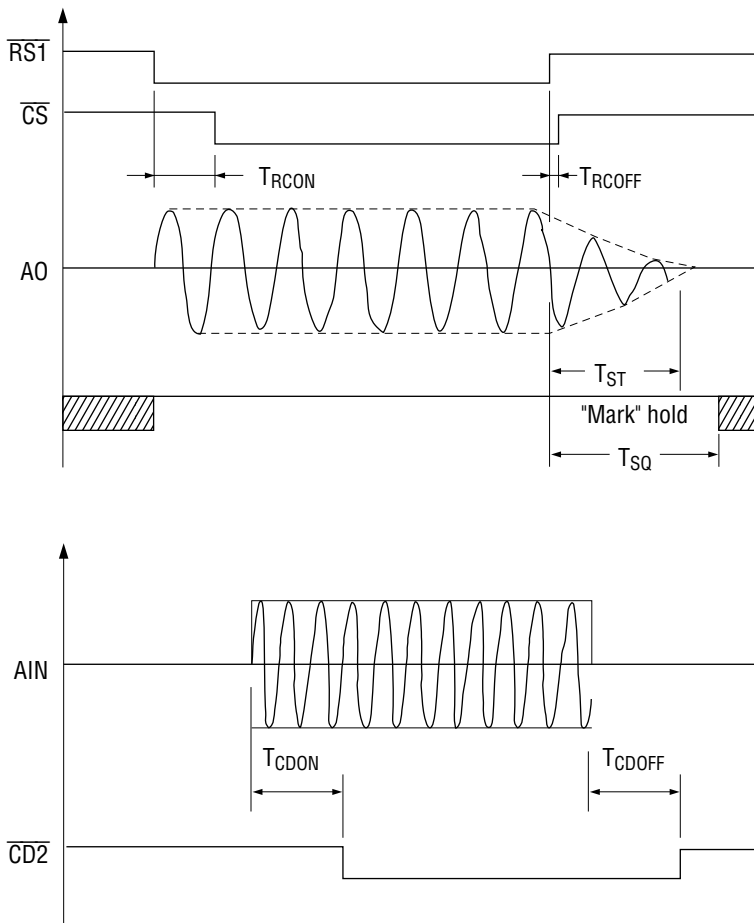
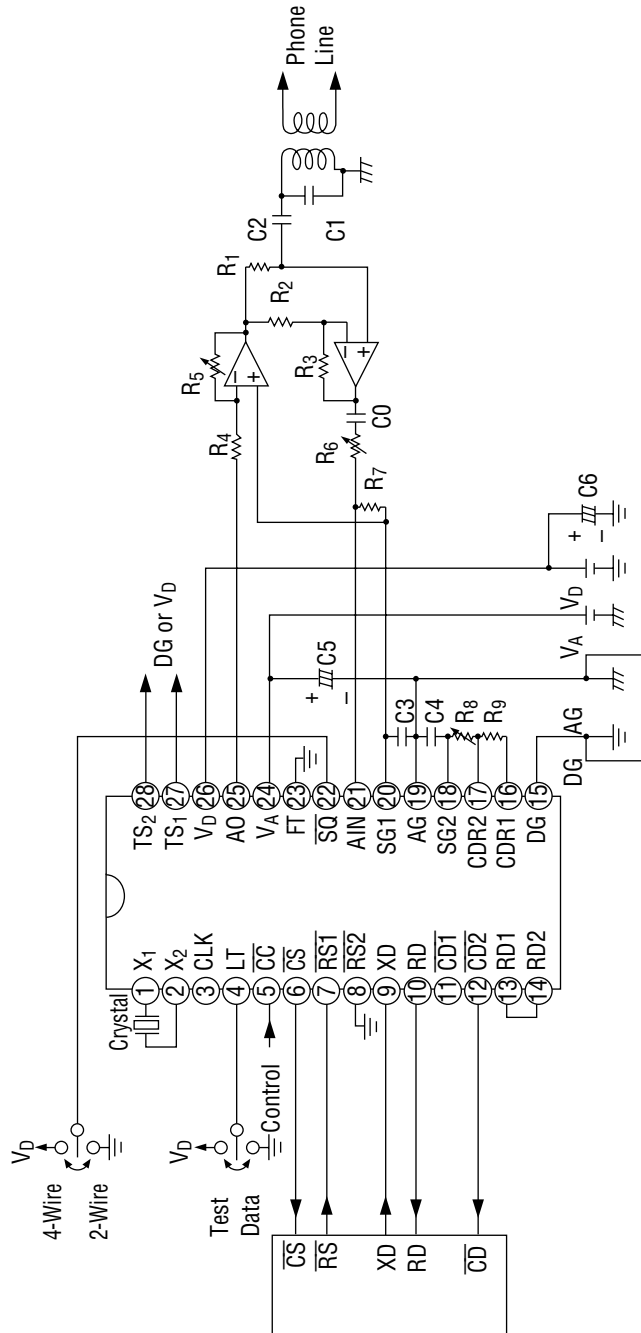


Figure 7 MSM6927/6947 Timing Diagram

APPLICATION CIRCUIT

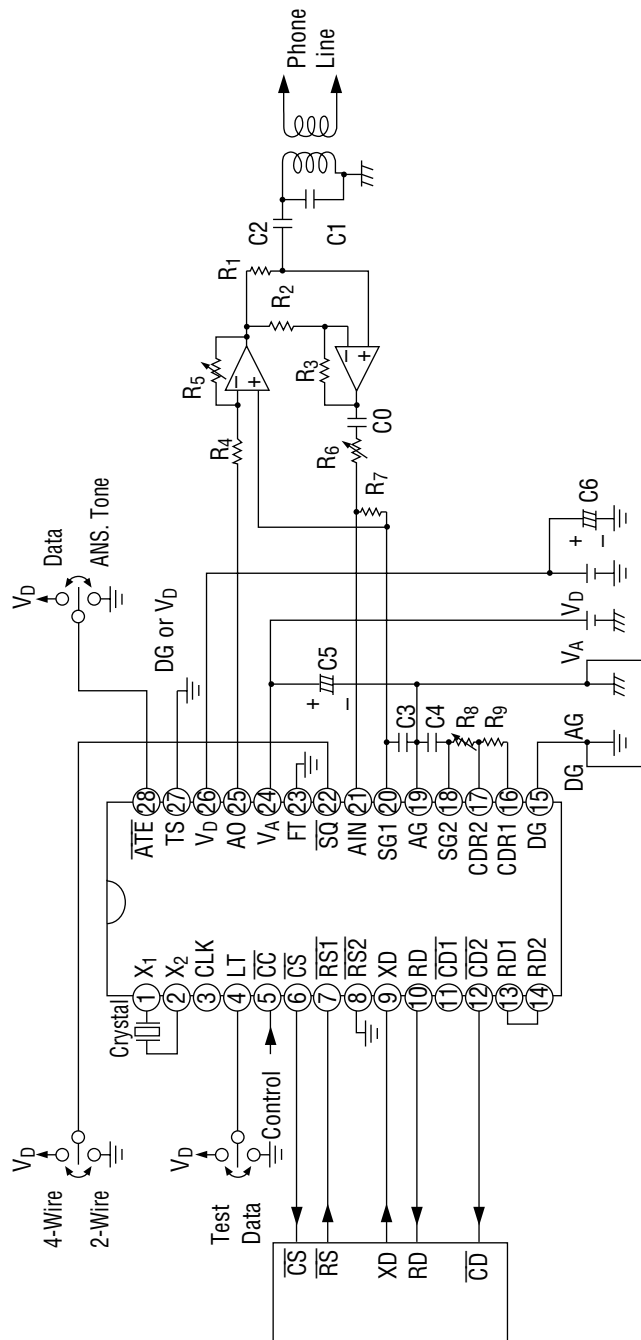
1. MSM6927RS



- Notes:
1. The crystal should be wired in close physical proximity to the device.
 2. High level signals should not be routed next to low level signals.
 3. Bypass capacitors on VA, SG1, and SG2 should be as close to the device as possible.
 4. AG and DG should be connected as close to the system ground as possible.

Figure 8-1 Application Circuit Using MSM6927RS

2. MSM6947RS



- Notes:
1. The crystal should be wired in close physical proximity to the device.
 2. High level signals should not be routed next to low level signals.
 3. Bypass capacitors on VA, SG1, and SG2 should be as close to the device as possible.
 4. AG and DG should be connected as close to the system ground as possible.

Figure 8-2 Application Circuit Using MSM6947RS

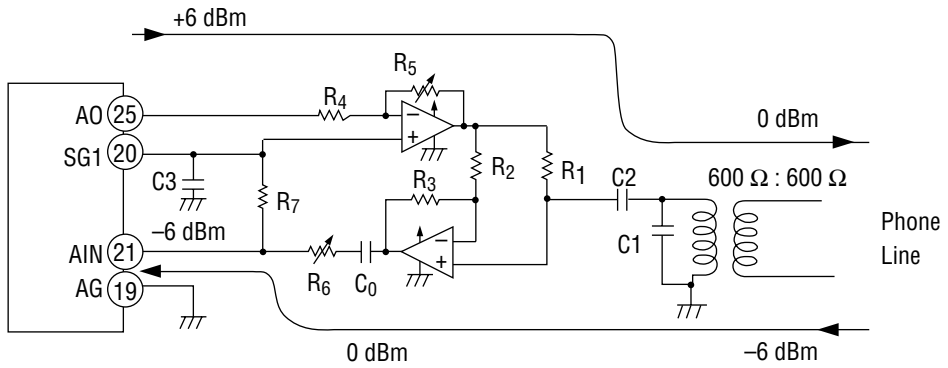
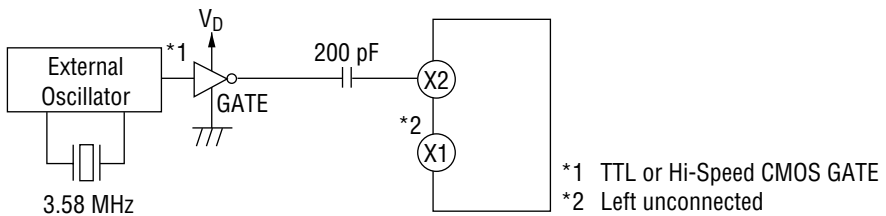


Figure 9 MSM6927RS/MSM6947RS Application

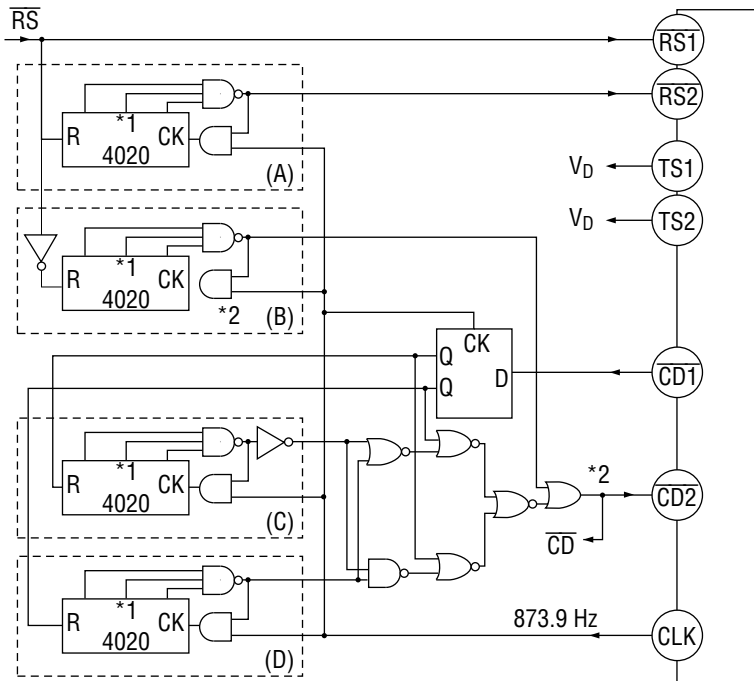
C ₀ , C ₁	0.047 μF	R ₂	51 kΩ	R ₆	(51 kΩ) Receive signal level
C ₂	2.2 μF	R ₃	51 kΩ	R ₇	51 kΩ
C ₃	1 μF	R ₄	51 kΩ	R ₈	(33 kΩ) Carrier detect level
R ₁	600 Ω	R ₅	(51 kΩ) Transmit signal level	R ₉	51 kΩ

Note: The signal level on the A_{IN} pin should not exceed -6 dBm.



External Oscillator Connection

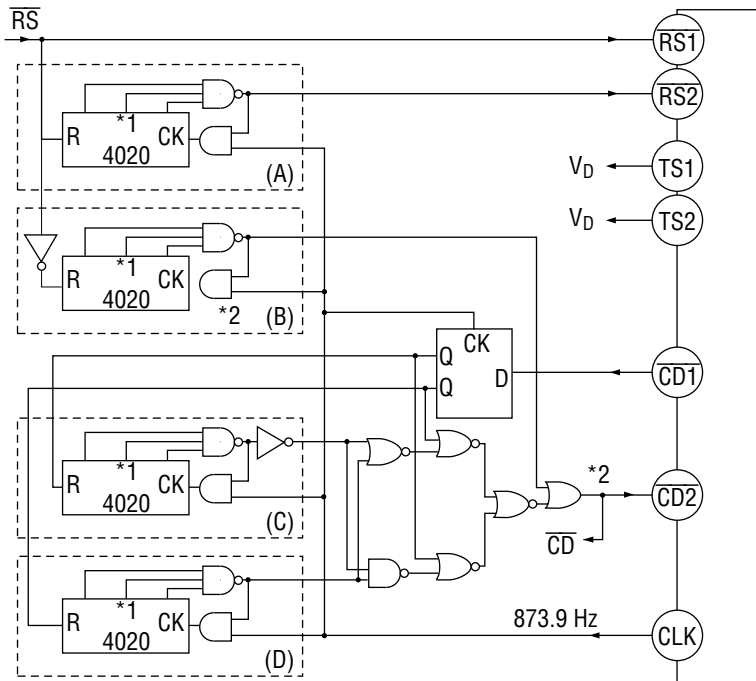
Figure 10



(A) RS/CS delay, (B) Receive-squelch delay, (C) CD/ON delay, (D) CD/OFF delay
 Note: Supply voltage equals V_D for all gates.

- *1: The desired delay can be realized by selecting the appropriate bits from 4020's outputs. The number of the bits is not always 3. Each delay can be set differently from built-in delays.
- *2: In case that the Receiver-squelch delay is unnecessary, circuit (B) and this OR gate should be omitted and the output of the NOR gate should be connected to $\overline{CD2}$ directly.

Figure 11-1 MSM6927 External Delay Connection



(A) RS/CS delay, (B) Receive-squelch delay, (C) CD/ON delay, (D) CD/OFF delay
 Note: Supply voltage equals V_D for all gates.

- *1: The desired delay can be realized by selecting the appropriate bits from 4020's outputs. The number of the bits is not always 3. Each delay can be set differently from built-in delays.
- *2: In case that the Receiver-squelch delay is unnecessary, circuit (B) and this OR gate should be omitted and the output of the NOR gate should be connected to $\overline{CD2}$ directly.

Figure 11-2 MSM6947 External Delay Connection

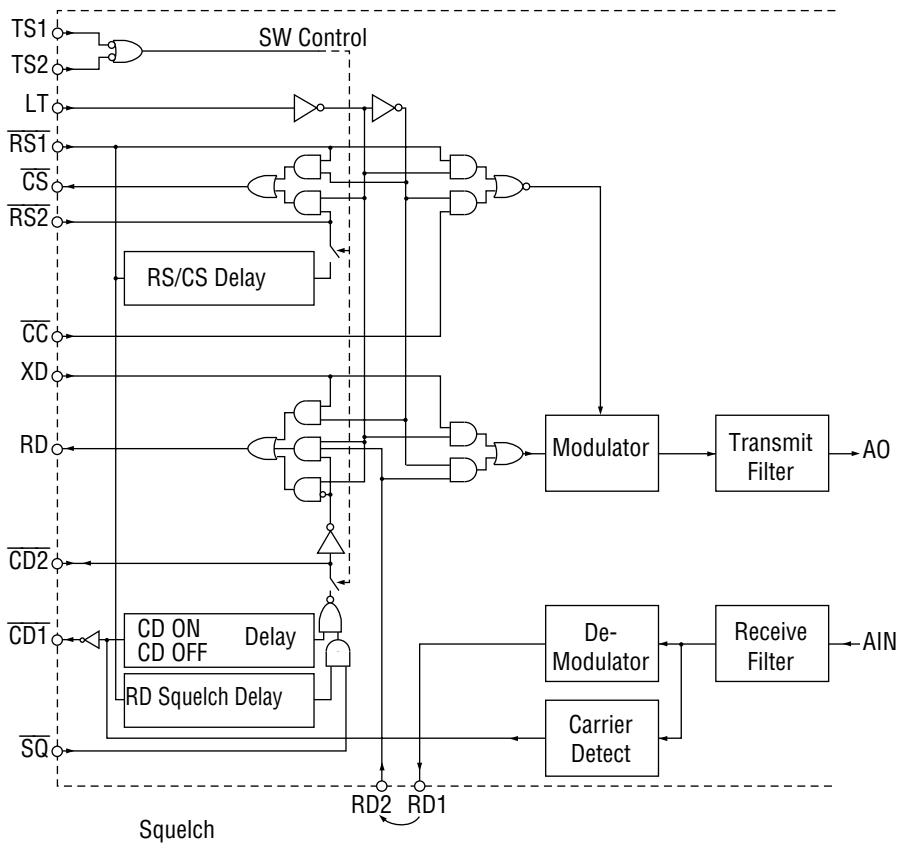


Figure 12-1 MSM6927 Equivalent Logic Interface of the Integrated Modem

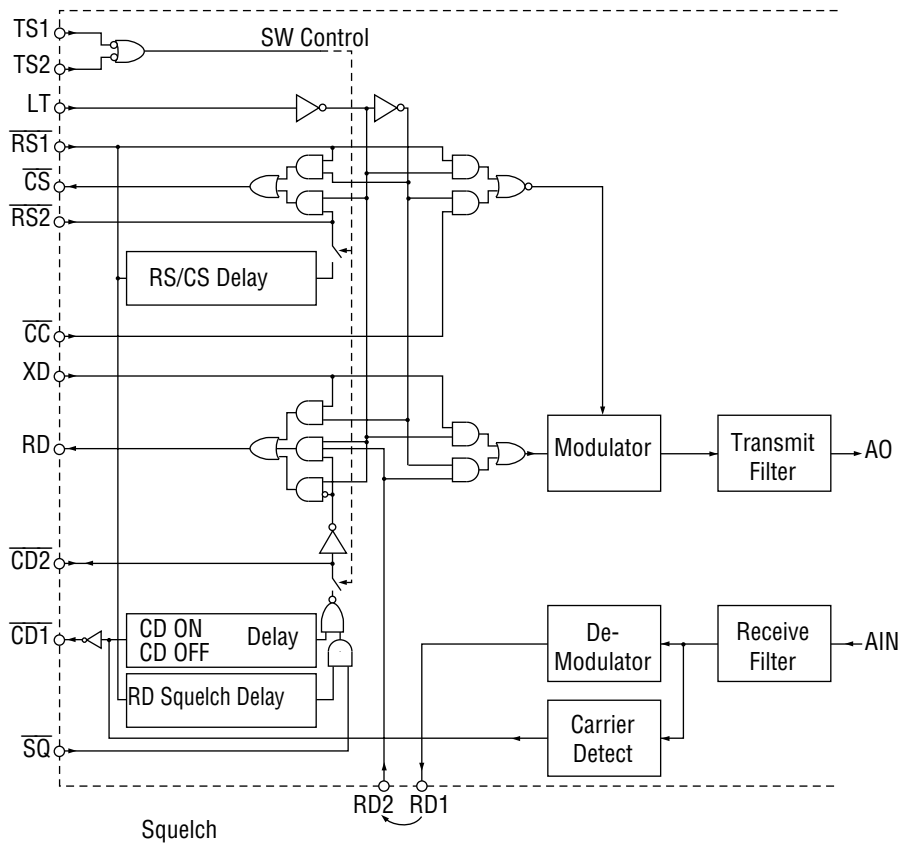


Figure 12-2 MSM6947 Equivalent Logic Interface of the Integrated Modem

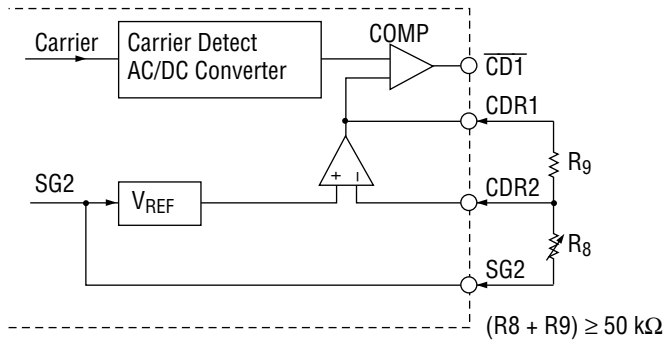
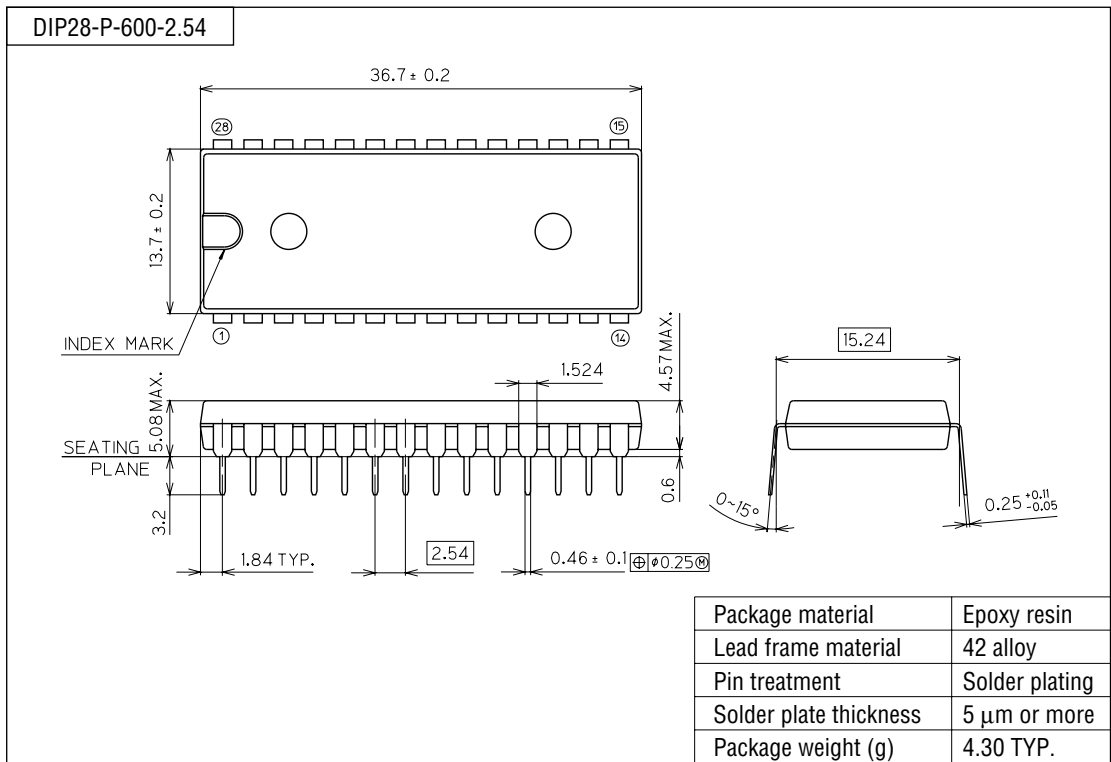


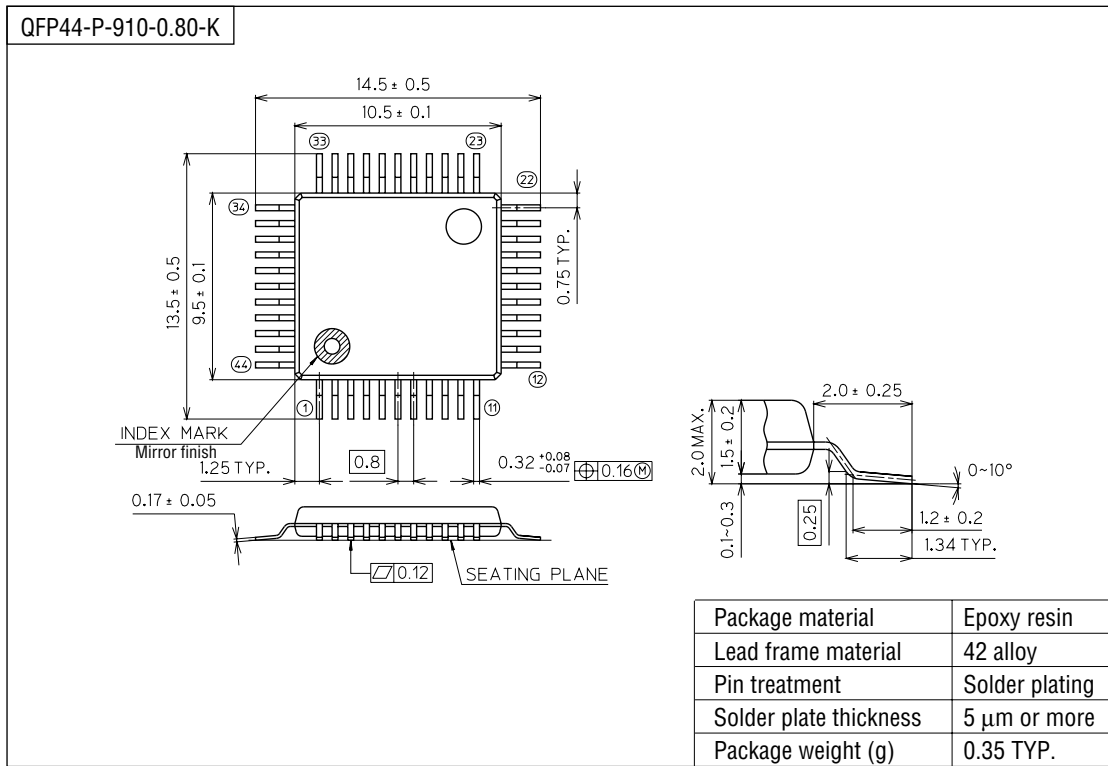
Figure 13 External Resistor Connection for the Setting of Carrier Detect Level

PACKAGE DIMENSIONS

(Unit : mm)



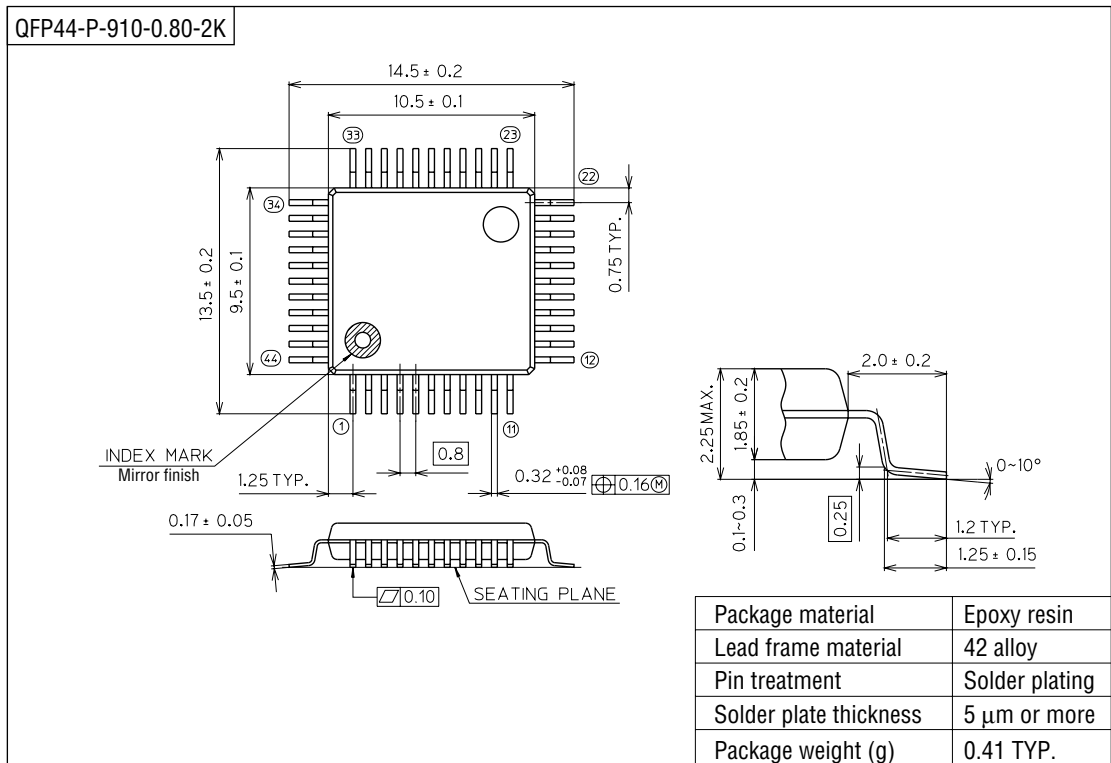
(Unit : mm)



Notes for Mounting the Surface Mount Type Package

The SOP, QFP, TSOP, SOJ, QFJ (PLCC), SHP and BGA are surface mount type packages, which are very susceptible to heat in reflow mounting and humidity absorbed in storage. Therefore, before you perform reflow mounting, contact Oki's responsible sales person for the product name, package name, pin number, package code and desired mounting conditions (reflow method, temperature and times).

(Unit : mm)



Notes for Mounting the Surface Mount Type Package

The SOP, QFP, TSOP, SOJ, QFJ (PLCC), SHP and BGA are surface mount type packages, which are very susceptible to heat in reflow mounting and humidity absorbed in storage. Therefore, before you perform reflow mounting, contact Oki's responsible sales person for the product name, package name, pin number, package code and desired mounting conditions (reflow method, temperature and times).