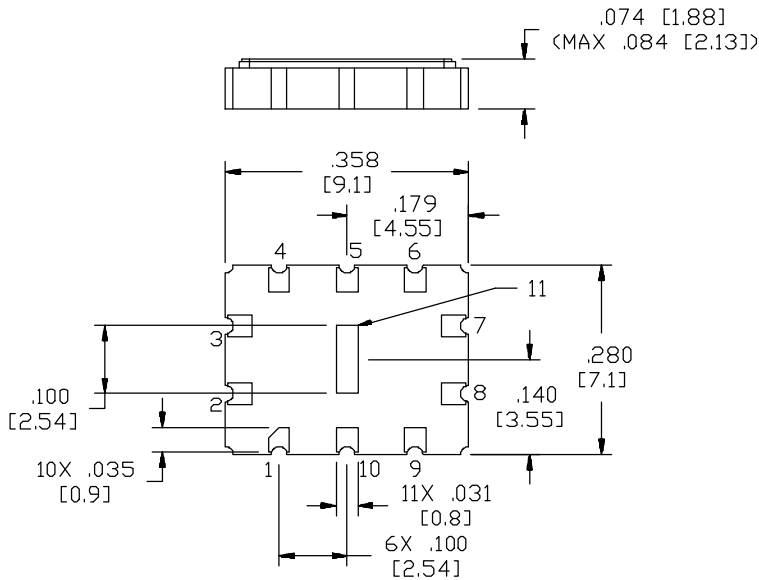


**TFH155A SAW Filter**  
**Preliminary**

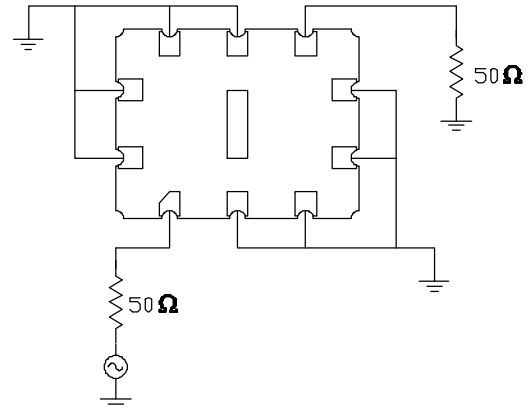
**155.52 MHz SAW Filter**  
**for SDH/SONET Timing Recovery Applications**

Parameter	Minimum	Nominal	Maximum	Unit
Center Frequency		155.52		MHz
Insertion Loss at 155.52 MHz			15	dB
Loaded 3-dB Q	400		800	
Phase at 155.52 MHz	Ref. -60	Ref.	Ref. +60	°
Sidelobe Rejection	20			dB
Ultimate Rejection	40			dB
Operating Temperature	-40		85	°C

**Package Outline**



**Source/Load Configuration**



9mmx7mm Leadless Chip Carrier  
Source/Load Impedance 50Ω