

# SMART POWER IC DRIVERS

## BiMOS LATCHED DRIVERS

### UCN-5800L and UCN-5801EP

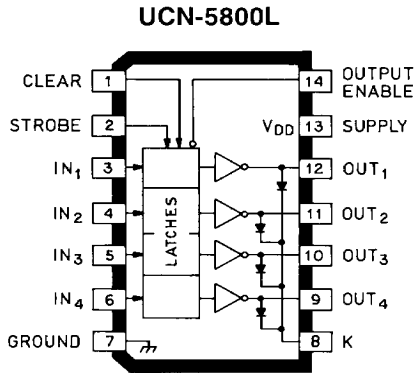
- 500 mA, 50 V Outputs
- Output Transient Protection
- 4.4 MHz Minimum Data Input Rate
- Internal Input Pull-Down Resistors

### UCN-5815EP

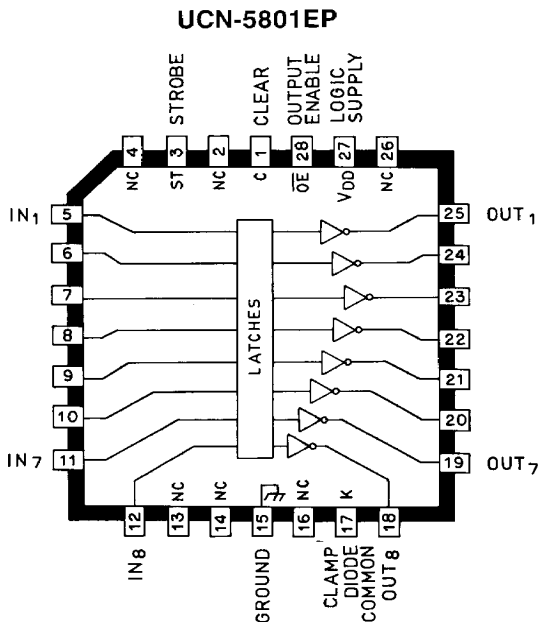
- - 40 mA, 60 V Sourcing Outputs
- 4.4 MHz Minimum Data Input Rate
- Internal Output Pull-Down Resistors

### UCN-5881EP

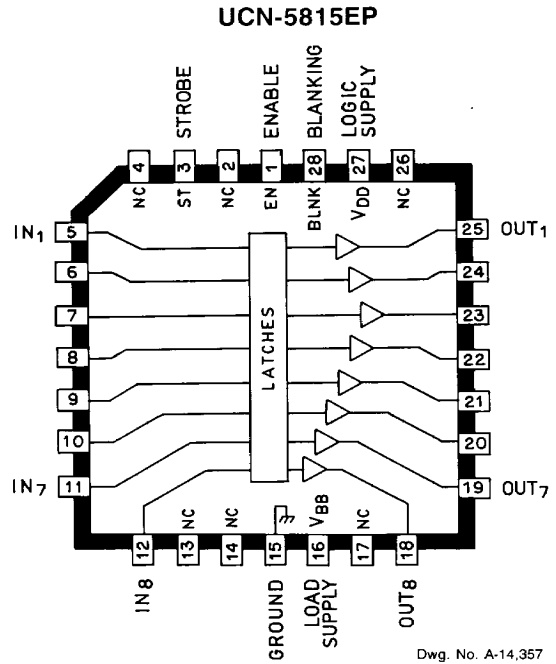
- READ/WRITE Inputs
- 50 mA, 20 V Outputs
- Output Transient Protection
- Over-Temperature Shutdown



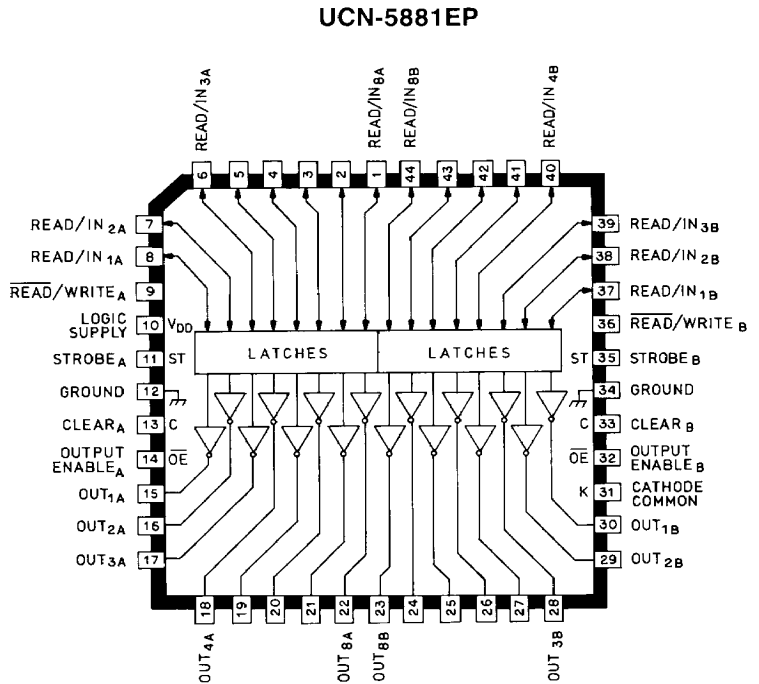
Dwg. No. A-14,352



Dwg. No. A-14,353



Dwg. No. A-14,357



Dwg. No. A-14,367