

**PLEASE CHECK WWW.MOLEX.COM FOR LATEST PART INFORMATION**

**Part Number:** [0351290500](#)  
**Status:** **Active**  
**Description:** 1.85mm (.070") Tab, 6.00mm (.231") Pitch Wire-to-Wire TPA™ Retainer, 5 Circuits

**Documents:**

[Drawing \(PDF\)](#) [RoHS Certificate of Compliance \(PDF\)](#)  
[Product Specification PS-35127-001 \(PDF\)](#)

**Agency Certification**

CSA LR19980  
TUV R72081037

**General**

Product Family Accessories  
Series [35129](#)  
Component Type Retainer  
Product Name N/A

**Physical**

Circuits (Loaded) 5  
Color - Resin Natural  
Flammability 94V-0  
Gender Male  
Lock to Mating Part Yes  
Material - Resin Polyester  
Number of Rows 1  
Packaging Type Bag  
Temperature Range - Operating -40°C to +120°C

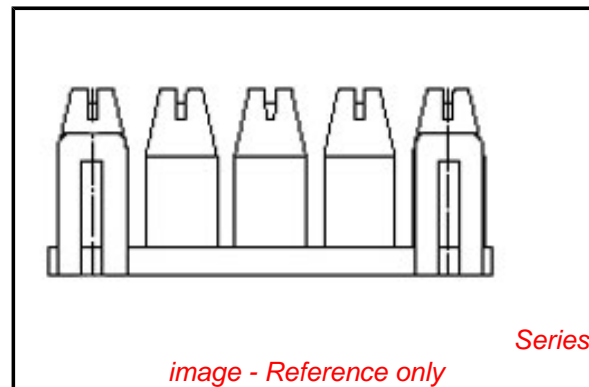
**Electrical**

Current - Maximum per Contact 15A

**Material Info**

**Reference - Drawing Numbers**

Product Specification PS-35127-001  
Sales Drawing SD-35129-001



**EU RoHS**

**ELV and RoHS  
Compliant**  
**REACH SVHC**  
Not Reviewed  
**Halogen-Free  
Status**  
**Not Reviewed**

**China RoHS**



**Need more information on product  
environmental compliance?**

Email [productcompliance@molex.com](mailto:productcompliance@molex.com)  
For a multiple part number RoHS Certificate of  
Compliance, [click here](#)

Please visit the [Contact Us](#) section for any  
non-product compliance questions.

**Search Parts in this Series**

[35129Series](#)

**Use With**

35127 Pitch Wire-to-Wire Male Housing.  
35128 Wire-to-Wire Female Housing

DO NOT SCALE DRAWING DIMENSION IN METRIC

DWG. NO. SD-35129-001

SIMILAR ITEM

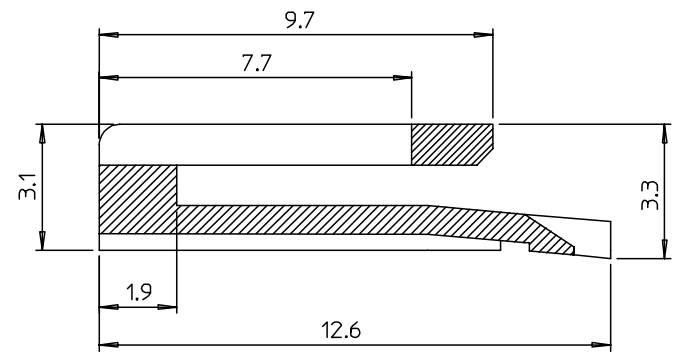
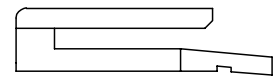
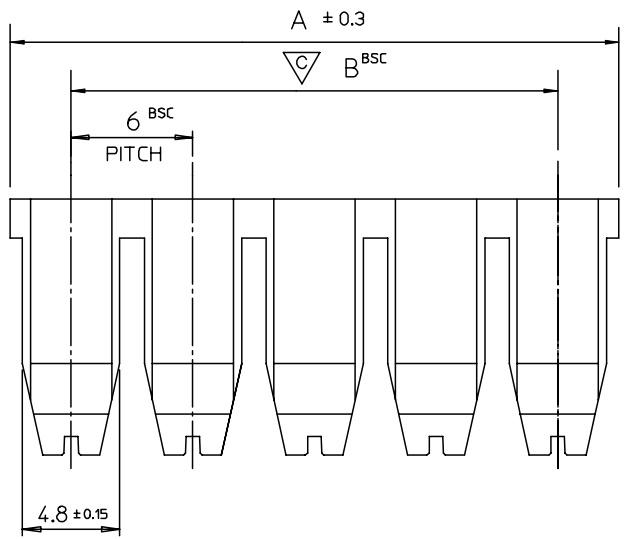
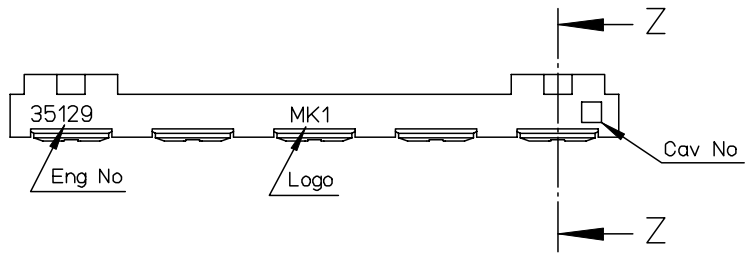
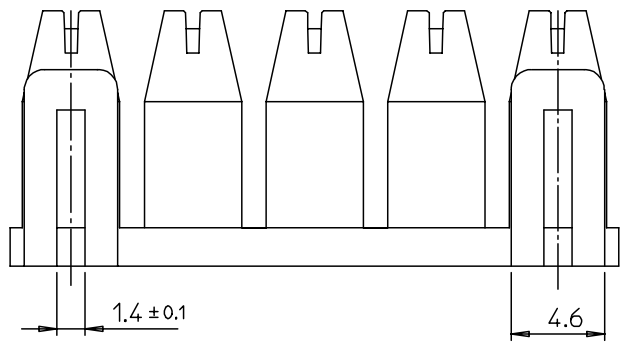
PROJECT NO.

C

B

REV

8 7 6 5 4 3 2 1



**NOTES**

1. MATERIALS: POLYESTER(PBT), UL94V-0, COLOR: NATURAL(WHITE)
2. DRAFT TO BE 0°30' UNLESS SPECIFIED.
3. WARPING TO BE 0.20 MAX.
4. PERMISSIBLE FLASH: 0.10MAX.
5. MATED HOUSING : 35127-\*\*\*\*  
35128-\*\*\*\*
6. PRODUCT SPECIFICATION : PS35129

|    |    |           |            |          |
|----|----|-----------|------------|----------|
| 24 | 30 | 351290500 | 35129-0500 | 5        |
| 18 | 24 | 351290400 | 35129-0400 | 4        |
| 12 | 18 | 351290300 | 35129-0300 | 3        |
| 6  | 12 | 351290200 | 35129-0200 | 2        |
| B  | A  | MAT'L NO  | ENG NO     | CIRCUITS |

**SECTION Z-Z**

|  |  |   |   |              |  |   |  |            |  |  |
|--|--|---|---|--------------|--|---|--|------------|--|--|
| REVISED<br>ECN NO. KOR2003-0140<br>DRWN: H.S.SHIN 02.12.17<br>CHK: J.K.OH<br>APPR: C.W.LEE | DESCRIPTION<br>MAJOR =<br>CRITICAL C = 1 | GENERAL TOLERANCES:<br>(UNLESS SPECIFIED) |   | SCALE<br>4:1 | DESIGN UNITS<br><input checked="" type="checkbox"/> mm <input type="checkbox"/> INCH | THIRD ANGLE<br>PROJECTION<br><input checked="" type="checkbox"/> mm <input type="checkbox"/> INCH | DIMENSIONS:<br><input type="checkbox"/> mm <input type="checkbox"/> INCH <input checked="" type="checkbox"/> mm ONLY | SHT<br>REV |  |  |
|  |  | 4 PLACES ±0.                              | ±   | ±            | DRAWN BY & DATE<br>Y.J.KIM 92.01.29  |   | TITLE:<br>6.0 PITCH W-t-W TPA  |            |  |  |
|  |  | 3 PLACES ±0.                              | ±   | ±            | CHECKED BY & DATE<br>Y.J.KIM 92.01.29  |   |  |            |  |  |
|  |  | 2 PLACES ±0.                              | ±   | ±            | APPROVED BY & DATE<br>C.W.LEE 92.01.29   |   | MOLEX INCORPORATED   |            |  |  |
| 1 PLACE ±0.2   | ±  | ±   | ANGULAR: ± 1°   |              | CAD FILENAME<br>SD35129A_C.MI  | MATERIAL NO.<br>SEE TABLE   |  |            |  |  |
| DRAFT WHERE APPLICABLE MUST<br>REMAIN WITHIN DIMENSIONS                                    |  |   | THIS DRAWING CONTAINS INFORMATION THAT IS PROPRIETARY TO MOLEX<br>INCORPORATED AND SHOULD NOT BE USED WITHOUT WRITTEN PERMISSION. |              |  |   |  |            |  |  |

8 7 6 5 4 3 2 1 KOREA MX-A3

F  
E  
D  
C  
B  
A