

PLEASE CHECK WWW.MOLEX.COM FOR LATEST PART INFORMATION

Part Number: [0905003007](#)
Status: **Active**
Overview: ffc fpc throughhole
Description: 2.54mm (.100") Vertical, ZIF Receptacle, 7 Circuits

Documents:

[3D Model](#) [Product Specification PS-90500-011 \(PDF\)](#)
[Drawing \(PDF\)](#) [RoHS Certificate of Compliance \(PDF\)](#)

Agency Certification

UL E29179

General

Product Family FFC/FPC Connectors
 Series [90500](#)
 Overview [ffc fpc throughhole](#)
 Product Name N/A

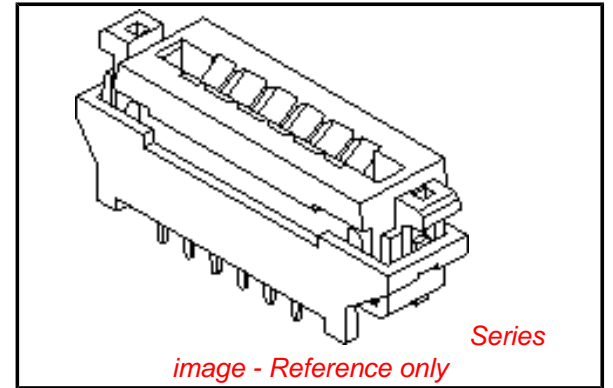
Physical

Circuits (Loaded) 7
 Color - Resin Black
 Contact Position N/A
 Durability (mating cycles max) 50
 Entry Angle Vertical
 Flammability 94V-0
 Mated Height (in) 0.346 In
 Mated Height (mm) 8.80 mm
 Material - Metal Phosphor Bronze
 Material - Plating Mating Tin
 Material - Plating Termination Tin
 Material - Resin Polyester
 Number of Rows 1
 Orientation Vertical
 PC Tail Length (in) 0.118 In
 PC Tail Length (mm) 3.00 mm
 PCB Retention None
 PCB Thickness Recommended (in) 0.062 In
 PCB Thickness Recommended (mm) 1.60 mm
 Packaging Type Tube
 Pitch - Mating Interface (in) 0.100 In
 Pitch - Mating Interface (mm) 2.54 mm
 Plating min: Mating (µin) 120
 Plating min: Mating (µm) 3.00
 Plating min: Termination (µin) 120
 Plating min: Termination (µm) 3.00
 Polarized to PCB No
 Stackable No
 Surface Mount Compatible (SMC) No
 Temperature Range - Operating -40°C to +85°C
 Termination Interface: Style Through Hole
 Wire/Cable Type FFC/FPC

Electrical

Current - Maximum per Contact 0.5A, 1A
 Voltage - Maximum 250V

Solder Process Data



EU RoHS

**ELV and RoHS
 Compliant**
**REACH SVHC
 Contains SVHC: No**
**Halogen-Free
 Status**

China RoHS



**Need more information on product
 environmental compliance?**

Email productcompliance@molex.com
 For a multiple part number RoHS Certificate of
 Compliance, [click here](#)

Please visit the [Contact Us](#) section for any
 non-product compliance questions.

Search Parts in this Series
[90500Series](#)

Lead-free Process Capability

Wave Capable (TH only)

Material Info

Reference - Drawing Numbers

Product Specification

PS-90500-011

Sales Drawing

SD-90500-001

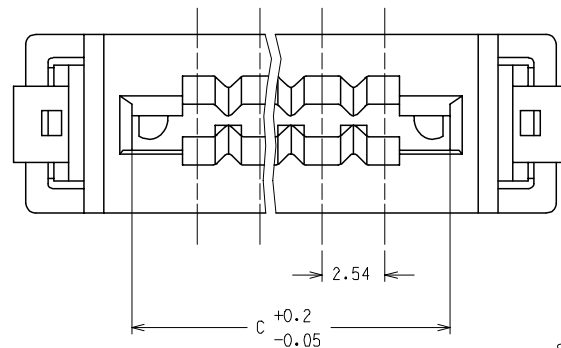
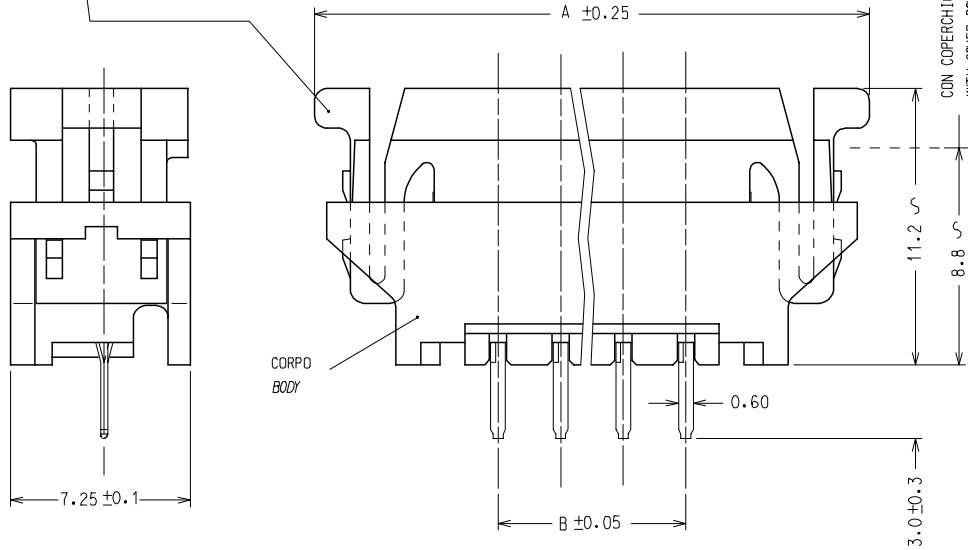
This document was generated on 06/07/2010

PLEASE CHECK WWW.MOLEX.COM FOR LATEST PART INFORMATION

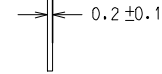
10 9 8 7 6 5 4 3 2 1

COPERCHIO
COVER

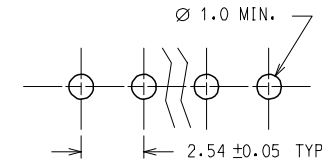
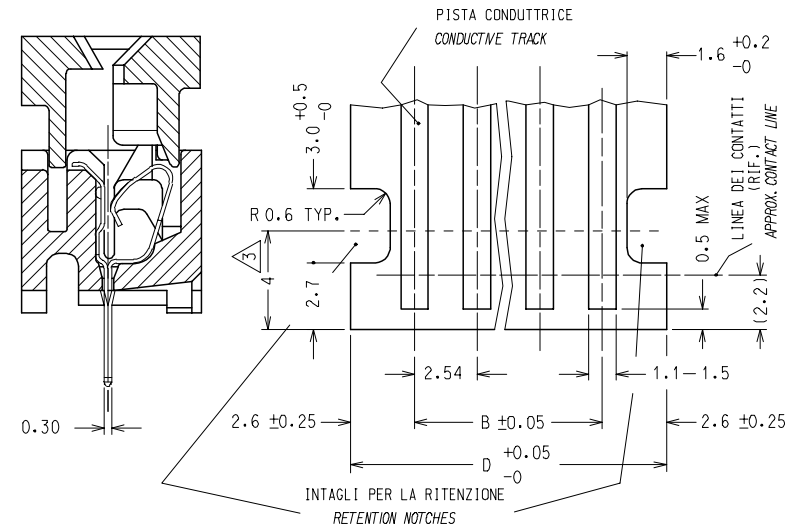
COPERCHIO ALZATO: I CONTATTI SONO APERTI PER UN AGEVOLE INSERIMENTO DEL CIRCUITO FLESSIBILE
COVER UP: CONTACTS ARE OPEN FOR AN EASY INSERTION OF THE FLEX CIRCUITRY
COPERCHIO ABBASSATO: I CONTATTI SONO PREMUTI CONTRO LE PISTE
COVER DOWN: CONTACTS ARE CLOSED ON THE TRACKS



CIRCUITO FLESSIBILE (SPESSORE TYPICO)
FLEX CIRCUITRY (TYPICAL THICKNESS)



PREPARAZIONE DEL CIRCUITO FLESSIBILE (ZONA DI CONNESSIONE)
FLAT FLEX CIRCUITRY PREPARATION (MATING TAIL)



CONFIGURAZIONE RACCOMANDATA SUL C. S.
RECOMMENDED P. C. BOARD HOLE DIMENSION

MATERIALI: CORPO E COPERCHIO: PBT NERO CARICATO F. V., UL 94 V0
CONTATTI: BRONZO FOSFOROSO DI SPESSORE 0.15 mm
PRESTAGNATO SALDABILE

MATERIALS: BODY AND COVER: BLACK G. F. PBT, UL 94 V0
CONTACTS: PHOSPHOR BRONZE SOLDERABLE TIN PREPLATED STRIP, 0.15 mm THICK

STD. DESCR.: FFC CONN VERT (insert contact number) CKT

NOTE: 1) IL PRODOTTO VIENE FORNITO IN TUBI (VEDI FOGLIO 2/2)
2) CARATTERISTICHE TECNICHE E FUNZIONALI COME DA PS 90500.
3) LUNGHEZZA MINIMA DI ESPOSIZIONE DELLE PISTE
4) SPQ: VEDERE FOGLIO 2/2

NOTE: 1) PRODUCT WILL BE SUPPLIED PACKAGED IN A TUBE (SEE SHEET 2/2)
2) TECHNICAL CHARACTERISTICS AS INDICATED IN PS90500.
3) MINIMUM EXPOSED LENGTH OF TRACKS
4) SPQ: SEE SHEET 2/2

EC NO: Z2005-0177	QUALITY SYMBOLS
DRWN: SBARBIERI 2005/05/19	▽=0
CHKD: RSANDANO 2005/05/20	∇=0
APPR: FBI SELLO 2005/05/20	
REV B1	

GENERAL TOLERANCES (UNLESS SPECIFIED)		DIMENSION STYLE	
		MM ONLY	
		DRAWN BY	DATE
4 PLACES	± ---	SBARBIERI	2000/04/13
3 PLACES	± ---	CHECKED BY	DATE
2 PLACES	± 0.05	MTESTAGUZZA	2000/04/13
1 PLACE	± 0.10	APPROVED BY	DATE
	ANGULAR ± ---°	RMARTUCCI	2000/04/13
DRAFT WHERE APPLICABLE MUST REMAIN WITHIN DIMENSIONS		MATERIAL NO.	
		SIZE	
		A3	

SCALE	DESIGN UNITS	FIRST ANGLE PROJECTION	
5:1	METRIC		
TITLE			
FFC CONNECTOR VERTICAL MOUNTING VERSION			
MOLEX INCORPORATED		DOCUMENT NO.	SHEET NO.
		SD-90500-001	1 OF 2
THIS DRAWING CONTAINS INFORMATION THAT IS PROPRIETARY TO MOLEX INCORPORATED AND SHOULD NOT BE USED WITHOUT WRITTEN PERMISSION			

9 8 7 6 5 4 3 2 1

N° . DI CODICE PART. NO.	ATTREZZAGGIO TOOLING	N° . VIE CCT NO.	DIM "A"	DIM "B"	DIM "C"	DIM "D"	N° . CONN./TUBO CONN. NO./TUBE	N° . CONN./SCATOLA CONN. NO./BOX (SPQ)
90500-3002	NON ATTREZZATO NOT TOOLED	2						
90500-3003	"	3						
90500-3004	ATTREZZATO TOOLED	4	22.52	7.62	12.92	12.82	24	4320
90500-3005	"	5	25.06	10.16	15.46	15.36	21	3780
90500-3006	"	6	27.60	12.70	18.00	17.90	19	3420
90500-3007	"	7	30.14	15.24	20.54	20.44	17	3060
90500-3008	"	8	32.68	17.78	23.08	22.98	16	2880
90500-3009	"	9	35.22	20.32	25.62	25.52	15	2700
90500-3010	"	10	37.76	22.86	28.16	28.06	14	2520
90500-3011	"	11	40.30	25.40	30.70	30.60	13	2340
90500-3012	"	12	42.84	27.94	33.24	33.14	12	2160
90500-3013	"	13	45.38	30.48	35.78	35.68	11	1980
90500-3014	"	14	47.92	33.02	38.32	38.22	11	1980
90500-3015	"	15	50.46	35.56	40.86	40.76	10	1800
90500-3016	"	16	53.00	38.10	43.40	43.30	10	1800
90500-3017	"	17	55.54	40.64	45.94	45.84	9	1620
90500-3018	"	18	58.08	43.18	48.48	48.38	9	1620
90500-3019	"	19	60.62	45.72	51.02	50.92	8	1440
90500-3020	"	20	63.16	48.26	53.56	53.46	8	1440

EC NO: Z2005-0177 DRWN:SBARBERI 2005/05/19 CHKD:RSANDANO 2005/05/20 APPR:FBISELLO 2005/05/20 REV DESCRIPTION	QUALITY SYMBOLS	GENERAL TOLERANCES (UNLESS SPECIFIED)	DIMENSION STYLE MM ONLY	SCALE ---	DESIGN UNITS METRIC	FIRST ANGLE PROJECTION																		
	▽=0 ∇=0	<table border="1"> <tr> <td></td> <td>mm</td> <td>INCH</td> </tr> <tr> <td>4 PLACES</td> <td>± ---</td> <td>± ---</td> </tr> <tr> <td>3 PLACES</td> <td>± ---</td> <td>± ---</td> </tr> <tr> <td>2 PLACES</td> <td>± 0.05</td> <td>± ---</td> </tr> <tr> <td>1 PLACE</td> <td>± 0.10</td> <td>± ---</td> </tr> <tr> <td colspan="3">ANGULAR ± ---°</td> </tr> </table>		mm	INCH	4 PLACES	± ---	± ---	3 PLACES	± ---	± ---	2 PLACES	± 0.05	± ---	1 PLACE	± 0.10	± ---	ANGULAR ± ---°			DRAWN BY SBARBERI DATE 2000/04/15 CHECKED BY RSANDANO DATE 2000/04/15 APPROVED BY FBISELLO DATE 2000/04/15 MATERIAL NO.	TITLE	FFC CONNECTOR VERTICAL MOUNTING VERSION	
		mm	INCH																					
	4 PLACES	± ---	± ---																					
3 PLACES	± ---	± ---																						
2 PLACES	± 0.05	± ---																						
1 PLACE	± 0.10	± ---																						
ANGULAR ± ---°																								
	DRAFT WHERE APPLICABLE MUST REMAIN WITHIN DIMENSIONS	SEE TABLE	DOCUMENT NO. SD-90500-001	MOLEX INCORPORATED SHEET NO. 2 OF 2																				
B1			THIS DRAWING CONTAINS INFORMATION THAT IS PROPRIETARY TO MOLEX INCORPORATED AND SHOULD NOT BE USED WITHOUT WRITTEN PERMISSION																					