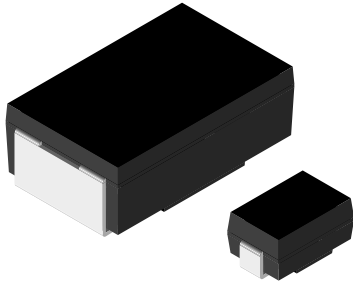


## Metal Film Resistors, Power, Surface Mount



### FEATURES

- Molded encapsulation
- Wraparound compliant terminations eliminate risk of solder fillet cracking
- Solderable terminations
- Excellent stability at different environmental conditions
- High power ratings (up to 2 W)
- AEC-Q200 qualified available <sup>(1)</sup>
- Compliant to RoHS Directive 2002/95/EC

### Note

<sup>(1)</sup> Flame retardance test may not be applicable to some resistor technologies.



STANDARD ELECTRICAL SPECIFICATIONS					
GLOBAL MODEL	SIZE INCH	POWER RATING $P_{70^{\circ}\text{C}}$ W	TOLERANCE $\pm \%$	RESISTANCE RANGE $\Omega$	ENCAPSULATION
WSF2012	2012	0.5	0.5, 1, 5	5.0 to 1.43K <sup>(2)</sup>	Epoxy
WSF2515	2515	1.0	0.5, 1, 5	10 to 10K	Thermoplastic
WSF4527	4527	2.0 <sup>(3)</sup>	0.5, 1, 5	10 to 100K	Thermoplastic

TECHNICAL SPECIFICATIONS				
PARAMETER	UNIT	WSF2012	WSF2515	WSF4527
Temperature coefficient	ppm/ $^{\circ}\text{C}$	$\pm 100$ <sup>(4)</sup>	$\pm 100$ <sup>(4)</sup>	$\pm 100$ <sup>(4)</sup>
Dielectric withstanding voltage	$V_{AC}$	> 500	> 500	> 500
Insulation resistance	$\Omega$	> $10^9$	> $10^9$	> $10^9$
Operating temperature range	$^{\circ}\text{C}$	- 65/+ 175	- 65/+ 175	- 65/+ 150
Maximum working voltage	V	$(P \times R)^{1/2}$	$(P \times R)^{1/2}$	$(P \times R)^{1/2}$ <sup>(3)</sup>
Weight/1000 pieces (typical)	g	90	165	760

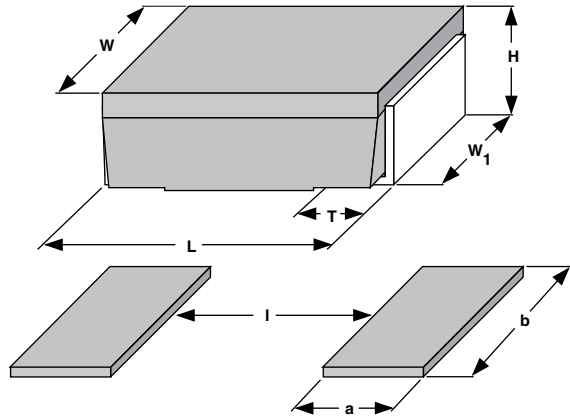
### Notes

- Part marking: 1/2 W - DALE, value; 1 W - model, value, tolerance, date code; 2 W - DALE, model, value, tolerance, date code.
- <sup>(2)</sup> E96 values only.
- <sup>(3)</sup> Resistance values above 31.25 k $\Omega$  are limited to 250 V maximum working voltage.
- <sup>(4)</sup>  $\pm 50$  ppm/ $^{\circ}\text{C}$  and  $\pm 25$  ppm/ $^{\circ}\text{C}$  available.

GLOBAL PART NUMBER INFORMATION																	
Global Part Numbering example: WSF25151K500JKTA (preferred numbering format)																	
W	S	F	2	5	1	5	1	K	5	0	0	J	K	T	A		
GLOBAL MODEL	VALUE		TOLERANCE		TCR		PACKAGING		SPECIAL								
WSF2012 WSF2515 WSF4527	R = Decimal K = Thousand 100R0 = 100 $\Omega$ 1K000 = 1 k $\Omega$		D = $\pm 0.5 \%$ F = $\pm 1.0 \%$ G = $\pm 2.0 \%$ H = $\pm 3.0 \%$ J = $\pm 5.0 \%$ K = $\pm 10 \%$		E = $\pm 25$ ppm/ $^{\circ}\text{C}$ H = $\pm 50$ ppm/ $^{\circ}\text{C}$ K = $\pm 100$ ppm/ $^{\circ}\text{C}$		EA = Lead (Pb)-free, tape/reel EK = Lead (Pb)-free, bulk TA = Tin/lead, tape/reel (R86) BA = Tin/lead, tape/reel, bulk (B43)		(Dash number) (Up to 2 digits) From 1 to 99 as applicable								
Historical Part Numbering example: WSF2515 1.5 k $\Omega$ 5% 100 ppm/ $^{\circ}\text{C}$ R86 (will continue to be accepted for tin/lead product only)																	
WSF2515	1.5 k $\Omega$		5%		100 ppm/ $^{\circ}\text{C}$		R86										
HISTORICAL MODEL	RESISTANCE VALUE		TOLERANCE CODE		TEMPERATURE COEFFICIENT		PACKAGING										

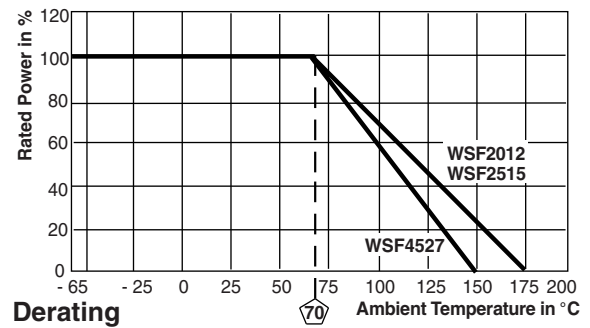
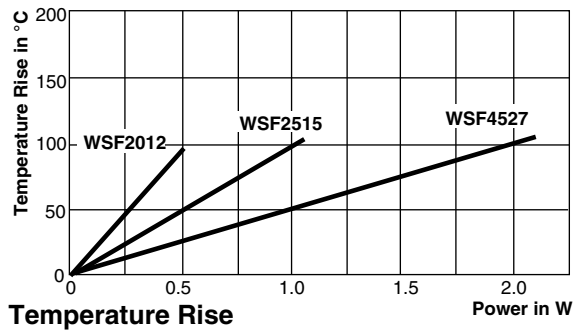
\* Pb containing terminations are not RoHS compliant, exemptions may apply  
 \*\* Please see document "Vishay Material Category Policy": [www.vishay.com/doc?99902](http://www.vishay.com/doc?99902)

**DIMENSIONS**



MODEL	DIMENSIONS in inches (millimeters)				
	L	H	T	W	W <sub>1</sub>
WSF2012	0.200 ± 0.020 (5.08 ± 0.508)	0.096 ± 0.015 (2.44 ± 0.381)	0.040 ± 0.010 (1.02 ± 0.254)	0.125 ± 0.005 (3.18 ± 0.127)	0.050 ± 0.005 (1.27 ± 0.127)
WSF2515	0.250 ± 0.020 (6.35 ± 0.508)	0.110 ± 0.015 (2.79 ± 0.381)	0.045 ± 0.010 (1.14 ± 0.254)	0.150 ± 0.005 (3.81 ± 0.127)	0.098 ± 0.005 (2.49 ± 0.127)
WSF4527	0.455 ± 0.020 (11.56 ± 0.508)	0.167 ± 0.010 (4.24 ± 0.254)	0.100 ± 0.010 (2.54 ± 0.254)	0.275 ± 0.005 (6.98 ± 0.127)	0.215 ± 0.005 (5.46 ± 0.127)

MODEL	SOLDER PAD DIMENSIONS in inches (millimeters)		
	a	b	l
WSF2012	0.085 (2.16)	0.070 (1.78)	0.080 (2.03)
WSF2515	0.090 (2.29)	0.115 (2.92)	0.120 (3.05)
WSF4527	0.155 (3.94)	0.230 (5.94)	0.205 (5.21)



PERFORMANCE		
TEST	CONDITIONS OF TEST	TEST LIMITS
Thermal shock	- 55 °C to + 150 °C, 1000 cycles, 15 min at each extreme	± (1.0 % + 0.05 Ω) ΔR
Short time overload	5 x rated power for 5 s	± (0.5 % + 0.05 Ω) ΔR
Low temperature storage	- 65 °C for 24 h	± (0.5 % + 0.05 Ω) ΔR
High temperature exposure	1000 h at + 175 °C (150 °C for WSF4527)	± (1.0 % + 0.05 Ω) ΔR
Bias humidity	+ 85 °C, 85 % RH, 10 % Bias, 1000 h	± (0.5 % + 0.05 Ω) ΔR
Moisture resistance	MIL-STD-202 method 106, 0 % power, 7a and 7b not required	± (0.5 % + 0.05 Ω) ΔR
Mechanical shock	100 g's for 11 ms, 5 pulses	± (0.5 % + 0.05 Ω) ΔR
Vibration	Frequency varied 10 Hz to 500 Hz in one min, 3 directions, 9 h	± (0.5 % + 0.05 Ω) ΔR
Load life	1000 h at rated power, + 70 °C, 1.5 h "ON", 0.5 h "OFF"	± (1.0 % + 0.05 Ω) ΔR
Resistance to solder heat	+ 260 °C solder, 10 s to 12 s dwell, 25 mm/s emergence	± (0.5 % + 0.05 Ω) ΔR

PACKAGING				
MODEL	REEL			
	TAPE WIDTH	DIAMETER	PIECES/REEL	CODE
WSF2012	12 mm/embossed plastic	330 mm/13"	2000	EA/TA
WSF2515	16 mm/embossed plastic	330 mm/13"	2000	EA/TA
WSF4527	24 mm/embossed plastic	330 mm/13"	1200	EA/TA

- Note**
- Embossed Carrier Tape per EIA-481.



## Disclaimer

All product specifications and data are subject to change without notice.

Vishay Intertechnology, Inc., its affiliates, agents, and employees, and all persons acting on its or their behalf (collectively, "Vishay"), disclaim any and all liability for any errors, inaccuracies or incompleteness contained herein or in any other disclosure relating to any product.

Vishay disclaims any and all liability arising out of the use or application of any product described herein or of any information provided herein to the maximum extent permitted by law. The product specifications do not expand or otherwise modify Vishay's terms and conditions of purchase, including but not limited to the warranty expressed therein, which apply to these products.

No license, express or implied, by estoppel or otherwise, to any intellectual property rights is granted by this document or by any conduct of Vishay.

The products shown herein are not designed for use in medical, life-saving, or life-sustaining applications unless otherwise expressly indicated. Customers using or selling Vishay products not expressly indicated for use in such applications do so entirely at their own risk and agree to fully indemnify Vishay for any damages arising or resulting from such use or sale. Please contact authorized Vishay personnel to obtain written terms and conditions regarding products designed for such applications.

Product names and markings noted herein may be trademarks of their respective owners.