

**PLEASE CHECK WWW.MOLEX.COM FOR LATEST PART INFORMATION**

**Part Number:** [0479890212](#)  
**Status:** **Active**  
**Description:** 1.00mm (.039") by 1.00mm (.039") Pitch rPGA 988A Notebook PC CPU Socket, with Mylar, Hard Tray Packaging, 988 Circuits, Lead free

**Documents:**

[Drawing \(PDF\)](#) [RoHS Certificate of Compliance \(PDF\)](#)  
[Product Specification PS-47989-001 \(PDF\)](#)

**General**

Product Family	Processor Sockets
Series	<a href="#">47989</a>
Comments	Mylar
Component Type	Socket
Product Name	rPGA988A, rPGA989

**Physical**

Circuits (Loaded)	988
Color - Resin	Black, Natural
Durability (mating cycles max)	30
Material - Metal	Copper Alloy
Material - Plating Mating	Gold
Material - Plating Termination	Copper, Silver, Tin
Material - Resin	High Temperature Thermoplastic
Packaging Type	Tray
Pitch - Mating Interface (in)	0.039 In
Pitch - Mating Interface (mm)	1.00 mm
Plating min: Mating (µin)	15
Plating min: Mating (µm)	0.38
Temperature Range - Operating	-20°C to +90°C
Termination Interface: Style	Solder or Weld

**Electrical**

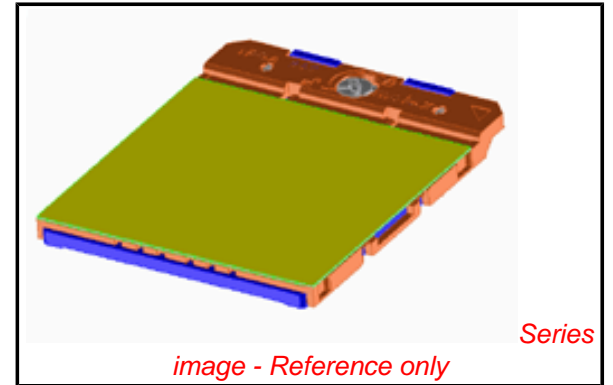
Current - Maximum per Contact	.5A
Voltage - Maximum	5V

**Material Info**

**Reference - Drawing Numbers**

Packaging Specification	PK-47989-002
Product Specification	PS-47989-001
Sales Drawing	SD-47989-001

Intel and Nehalem and relevant names are either trademarks or registered trademarks of Intel Corporation



**EU RoHS**

**ELV and RoHS  
Compliant**  
**REACH SVHC  
Not Reviewed**  
**Halogen-Free  
Status  
Not Reviewed**

**China RoHS**



**Need more information on product environmental compliance?**

Email [productcompliance@molex.com](mailto:productcompliance@molex.com)  
 For a multiple part number RoHS Certificate of Compliance, [click here](#)

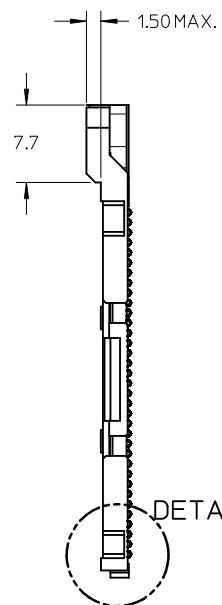
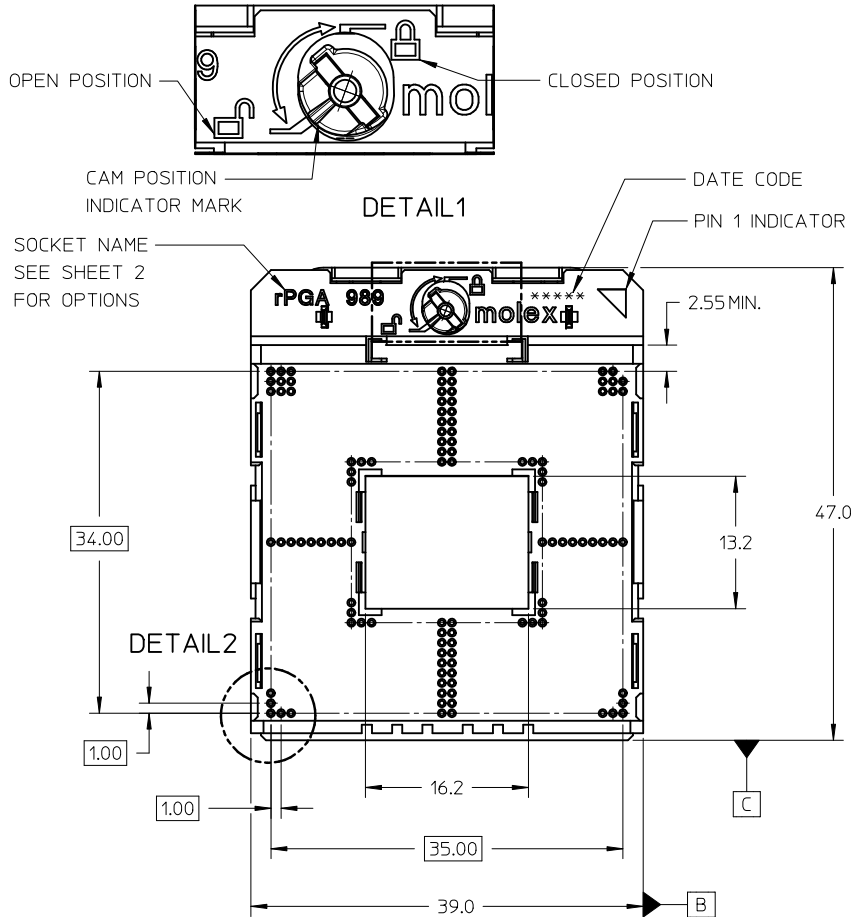
Please visit the [Contact Us](#) section for any non-product compliance questions.

**Search Parts in this Series**

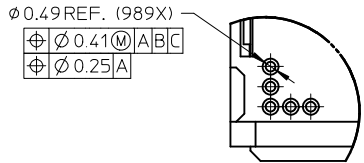
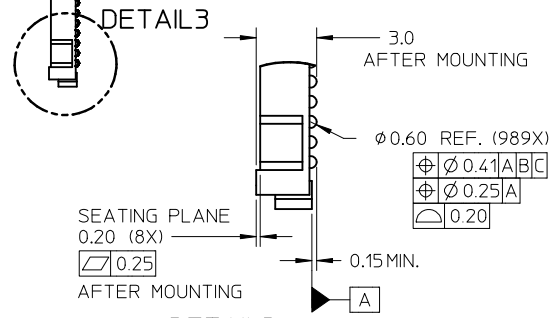
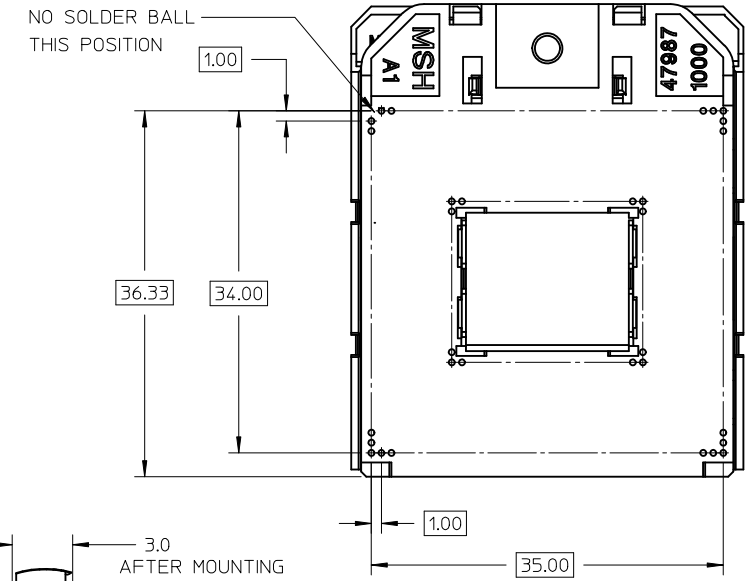
[47989Series](#)

**Mates With**

Intel\* Nehalem Processor



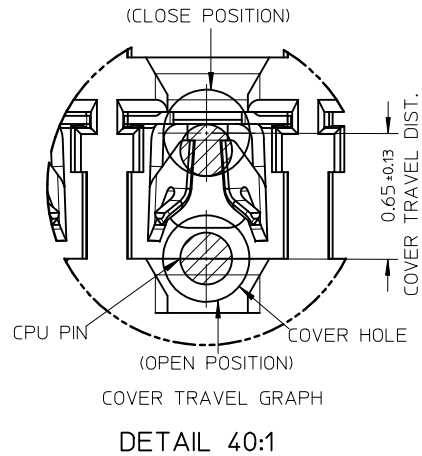
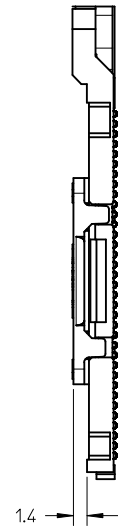
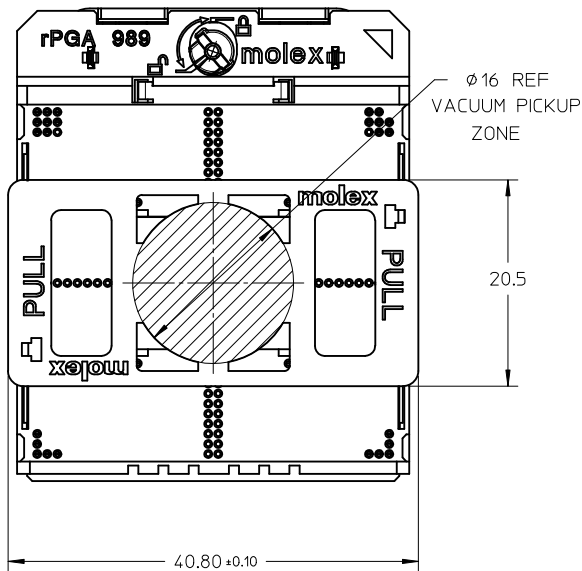
- NOTES:
- 1) THIS SOCKET COMPLIES WITH ALL SPECIFICATIONS AND PERFORMANCE REQUIREMENTS FOR INTEL rPGA98X SERIES CPU PROCESSORS.
  - 2) SOCKET SHOWN IN OPEN POSITION.
  - 3) SEE SHEET 2 FOR DETAILS PERTAINING TO KEYING, MATERIAL AND PACKAGING OPTIONS.
  - 4) THIS PRODUCT SERIES COMPLIANT TO RoHS DIRECTIVE 2002/95/EC AND ELV DIRECTIVE 2000/53/EC.



DETAIL 2

ENTER DESCRIPTION EC NO: SH2010-0084 DRWN: JZHANG11 CHKD: 2009/09/25 APPR: WEDENG 2009/10/12	QUALITY SYMBOLS $F_A=0$ $F_C=0$ $F_P=0$	GENERAL TOLERANCES (UNLESS SPECIFIED)		DIMENSION STYLE MM ONLY	SCALE 2:1	DESIGN UNITS METRIC	THIRD ANGLE PROJECTION
	4 PLACES $\pm$ --- $\pm$ --- 3 PLACES $\pm$ --- $\pm$ --- 2 PLACES $\pm 0.10$ $\pm$ --- 1 PLACE $\pm 0.20$ $\pm$ --- ANGULAR $\pm 2^\circ$	mm INCH DRAWN BY QWFANG CHECKED BY JKACHLIC APPROVED BY CL IANG DATE 2008/04/25 DATE 2008/05/29 DATE 2008/05/29	TITLE RPGA989 SOCKET ASSEMBLY	MOLEX INCORPORATED DOCUMENT NO. SD-47989-001	SHEET NO. 1 OF 3		
DRAFT WHERE APPLICABLE MUST REMAIN WITHIN DIMENSIONS	SIZE A3	THIS DRAWING CONTAINS INFORMATION THAT IS PROPRIETARY TO MOLEX INCORPORATED AND SHOULD NOT BE USED WITHOUT WRITTEN PERMISSION					

REMOVEABLE PICK & PLACE CAP



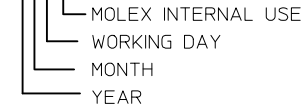
NOTES:

1) MATERIALS:

MOLDED COMPONENTS: LIQUID CRYSTAL POLYMER (LCP) UL 94V-0  
 BASE HOUSING COLOR: BLACK  
 COVER COLOR: NATURAL  
 MYLAR(POLYIMIDE; COLOR:ORANGE) OR PnP COVER(LCP; COLOR: BLACK)  
 FOR PICK & PLACE.

CONTACTS: HIGH STRENGTH COPPER ALLOY  
 PLATING: 0.38um GOLD IN CONTACT AREA, 1.3um NICKEL OVERALL  
 CAM COMPONENTS: STAINLESS STEEL  
 SOLDER BALL: LEAD-FREE BALL SnAg3.0Cu0.5

2) DATE CODE \*\*\*\*\*

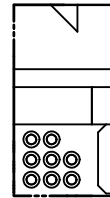
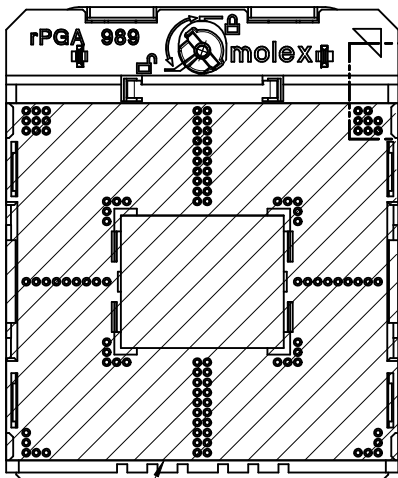


3) PRODUCT SPECIFICATION 47989-001 APPLIES

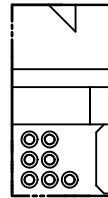
4) PACKAGING SPECIFICATION: PK-47989-001 (TAPE & REEL)  
 PK-47989-002 (HARD TRAY)

SOCKET KEYING OPTIONS

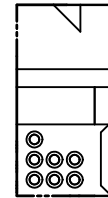
MYLAR PICK & PLACE OPTION



rPGA989  
47989-01\*\*



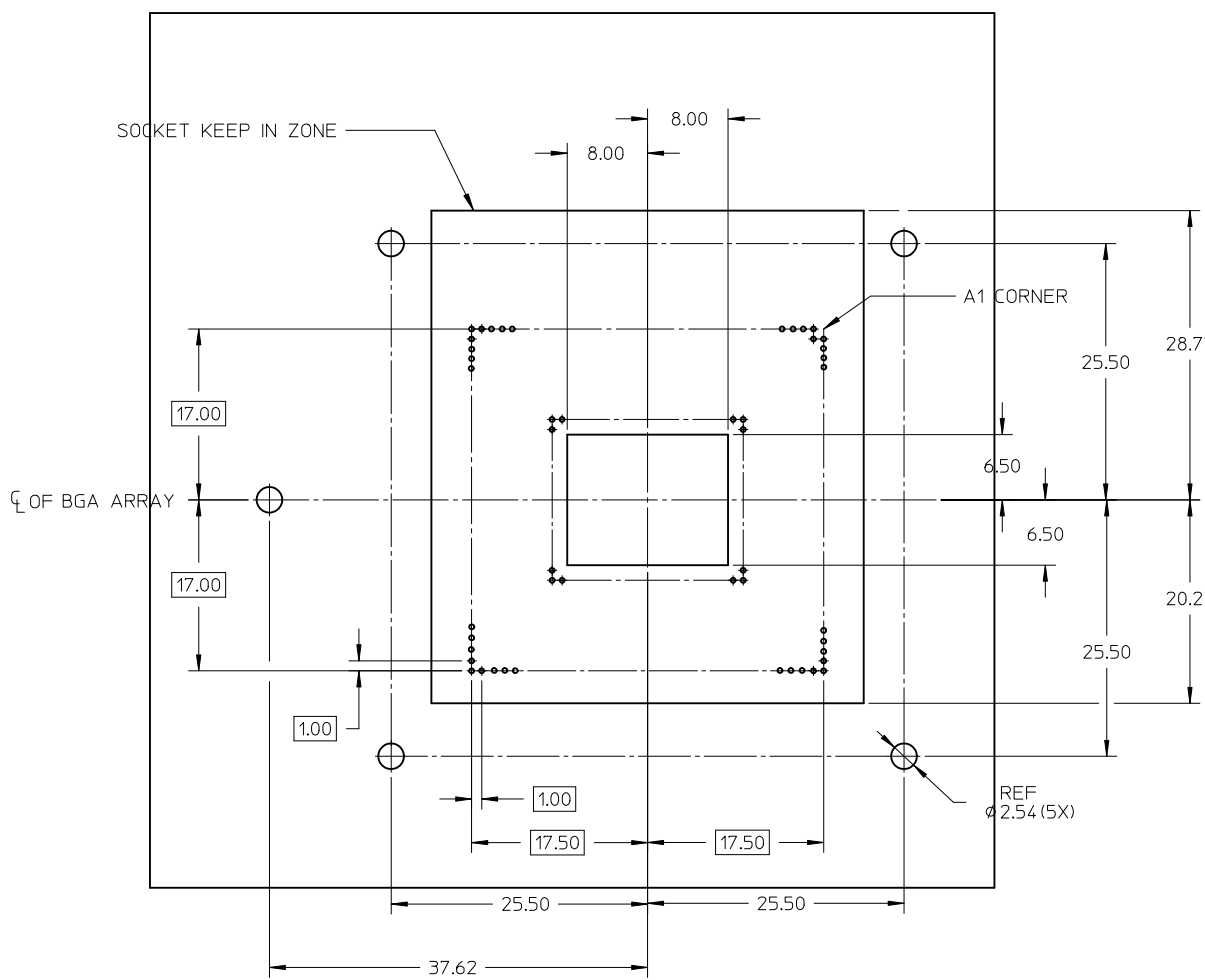
rPGA988A  
47989-02\*\*



rPGA988B  
47989-03\*\*

PART NUMBER	PICK UP TYPE		PACKAGE TYPE	
	MYLAR	CAP	T&R	HARD TRAY
47989-0112	◆			◆
47989-0122	◆		◆	
47989-0132		◆		◆
47989-0142		◆	◆	
47989-0212	◆			◆
47989-0222	◆		◆	
47989-0232		◆		◆
47989-0242		◆	◆	
47989-0312	◆			◆
47989-0322	◆		◆	
47989-0332		◆		◆
47989-0342		◆	◆	

ENTER DESCRIPTION EC NO: SHZ010-0084 DRWN: JZHANG11 CHKD: APPR: WFDENG REV A	DESCRIPTION QUALITY SYMBOLS $F_A=0$ $F_G=0$ $F_P=0$	GENERAL TOLERANCES (UNLESS SPECIFIED)		DIMENSION STYLE MM ONLY		SCALE 2:1	DESIGN UNITS METRIC	THIRD ANGLE PROJECTION	
		4 PLACES ± --- ± --- 3 PLACES ± --- ± --- 2 PLACES ± 0.10 ± --- 1 PLACE ± 0.20 ± ---	mm INCH ± --- ± --- ± 0.10 ± --- ± 0.20 ± ---	DRAWN BY QWFANG	DATE 2008/04/25	TITLE RPGA989 SOCKET ASSEMBLY			
		ANGULAR ± 2 °		CHECKED BY JKACH LIC	DATE 2008/05/29	MOLEX INCORPORATED			
		DRAFT WHERE APPLICABLE MUST REMAIN WITHIN DIMENSIONS		APPROVED BY CL IANG	DATE 2008/05/29	MATERIAL NO. SEE TABLE	DOCUMENT NO. SD-47989-001	SHEET NO. 2 OF 3	



NOTES:  
 shape pada of PCB are recommended

TYPE1-Corner Pads  

 Ø 20mils

TYPE2-Peripheral Pads(Oblong-shape pada are recommended)  

 22mils  
 18mils

TYPE3-All Other Location Except for those of Type1 and Type2 Locations)  

 Ø 18mils  
 MINIMUM

MOTHERBOARD KEEP IN ZONE (KIZ)

ENTER DESCRIPTION EC NO: SH2010-0084 DRWN: JZHANG11 CHKD: 2009/09/25 APPR: WFDENG 2009/10/12	QUALITY SYMBOLS	GENERAL TOLERANCES (UNLESS SPECIFIED)		DIMENSION STYLE MM ONLY		SCALE 2:1	DESIGN UNITS METRIC	THIRD ANGLE PROJECTION
	$F_A = 0$	4 PLACES	mm	INCH	DRAWN BY QWFANG	DATE 2008/04/25	TITLE RPGA989 SOCKET ASSEMBLY	
	$F_C = 0$	3 PLACES	± ---	± ---	CHECKED BY JKACH LIC	DATE 2008/05/29	MATERIAL NO. SEE TABLE	
	$F_P = 0$	2 PLACES	± 0.10	± ---	APPROVED BY CL IANG	DATE 2008/05/29	DOCUMENT NO. SD-47989-001	
		1 PLACE	± 0.20	± ---	ANGULAR ± 2 °		MOLEX INCORPORATED	
			DRAFT WHERE APPLICABLE MUST REMAIN WITHIN DIMENSIONS		SIZE A3		SHEET NO. 3 OF 3	