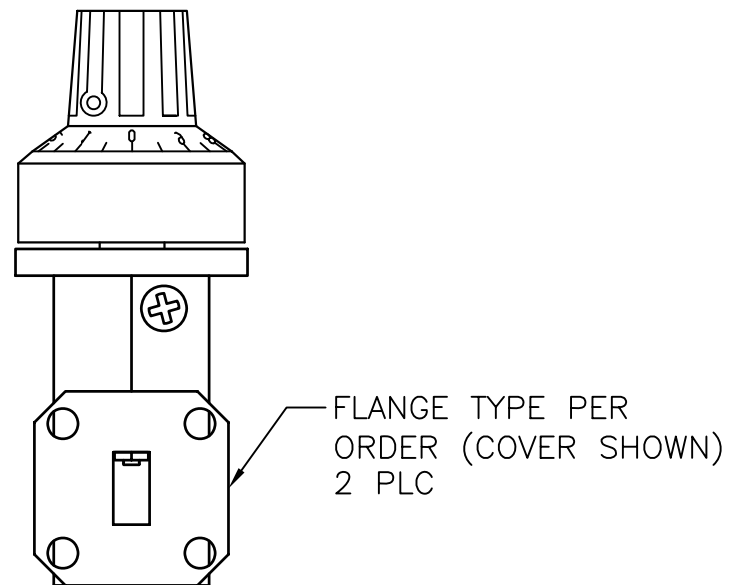
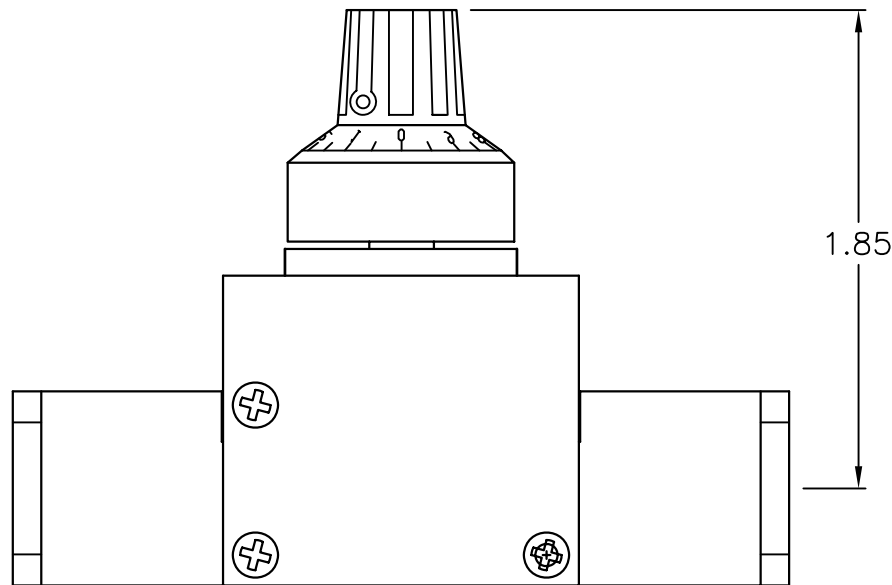
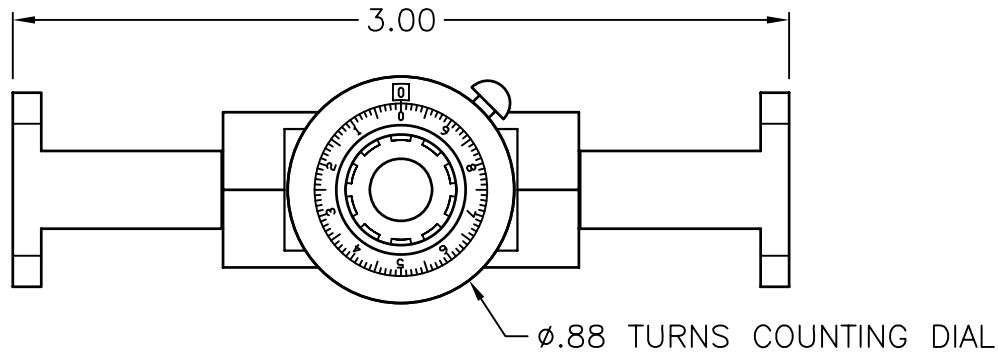


REV. _	DATE 12/21/04	INITIAL RELEASE	APPROVED
REV. A	DATE 04/20/05	REVISED AND REDRAWN TO USE FLANGE STOCK CONSTRUCTION	APPROVED



MODEL: 28-620A-30-X-X
 FREQ.: 26.5-40 GHz.
 ATTN.: 0-30 dB
 I.L.: 0.5 dB
 VSWR: 1.2 MAX

MATERIAL PER ORDER	TREATMENT IRIDITE	DRAWN DRH	DATE 12/21/04
FINISH ATM STD GRAY	MOD. NO. 28-620-30-X-X	CHECKED	DATE
OUTLINE WR28, TURNS COUNTING DIAL VARIABLE ATTENUATOR		APPROVED	DATE
		CAGE CODE: ORBN4	DO NOT SCALE DWG
ADVANCED TECHNICAL MATERIALS, INC. 49 RIDER AVE., PATCHOGUE N.Y. 11772 TEL: (631) 289-0363 FAX: (631) 289-0358 http://www.atmmicrowave.com		UNLESS OTHERWISE NOTED DIMENSIONS ARE IN INCHES TOLERANCES ARE:	FRACTIONS ±1/64 DECIMALS ±.01 ANGLES ±1/2°
			SCALE N.T.S. DWG. NO. 6218 SHEET. 1/1 REV. A