

PLEASE CHECK WWW.MOLEX.COM FOR LATEST PART INFORMATION

Part Number: [0945095520](#)
Status: **Active**
Description: Housing for Straight Fork Terminal, 5 Circuits, Polarization B

Documents:

[Drawing \(PDF\)](#) [RoHS Certificate of Compliance \(PDF\)](#)
[Product Specification PS-94509-002 \(PDF\)](#)

General

Product Family Crimp Housings
 Series [94509](#)
 Product Name Pitch 5 Edge Card

Physical

Breakaway No
 Circuits (maximum) 5
 Color - Resin Natural
 Gender Female
 Glow-Wire Compliant No
 Material - Resin Nylon
 Number of Rows 1
 Packaging Type Bag
 Panel Mount No
 Pitch - Mating Interface (in) 0.197 In
 Pitch - Mating Interface (mm) 5.00 mm
 Pitch - Term. Interface (in) 0.197 In
 Pitch - Term. Interface (mm) 5.00 mm
 Polarized to Mating Part Yes
 Ports 1
 Stackable No
 Temperature Range - Operating -30°C TO +80°C

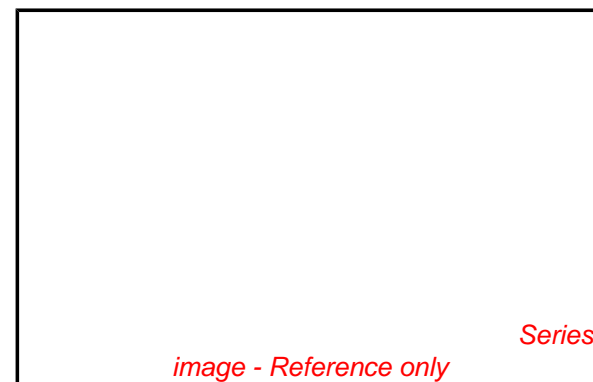
Electrical


Current - Maximum per Contact 3A, 6A

Material Info

Reference - Drawing Numbers

Product Specification PS-94509-002
 Sales Drawing SD-94509-003



<p>EU RoHS ELV and RoHS Compliant REACH SVHC Not Reviewed Halogen-Free Status Not Reviewed</p>	<p>China RoHS</p> 
---	--

Need more information on product environmental compliance?

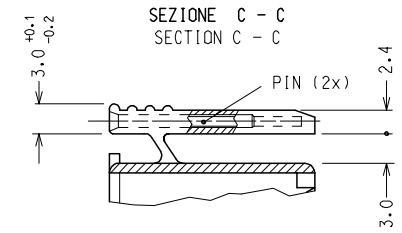
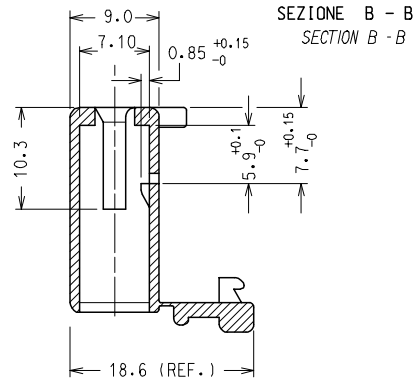
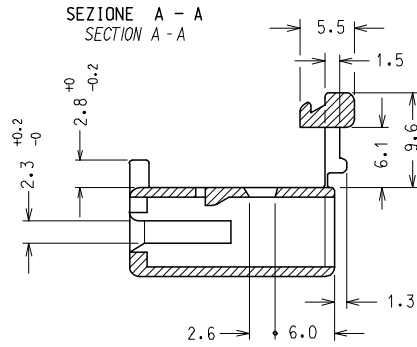
Email productcompliance@molex.com
 For a multiple part number RoHS Certificate of Compliance, [click here](#)

Please visit the [Contact Us](#) section for any non-product compliance questions.

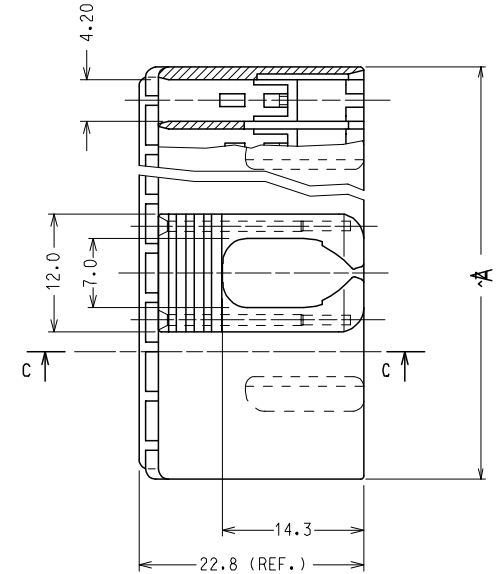
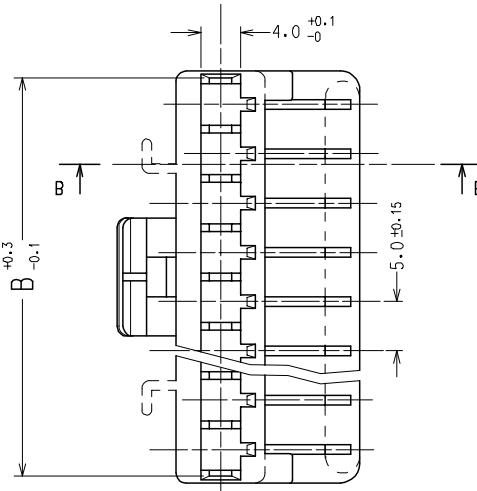
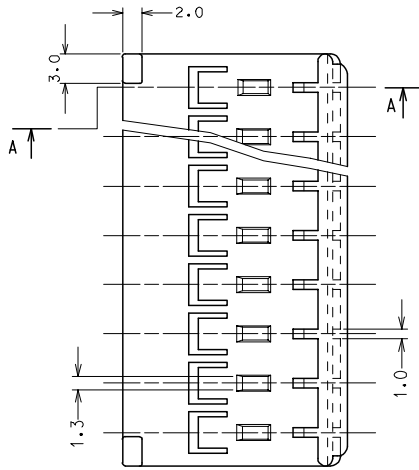
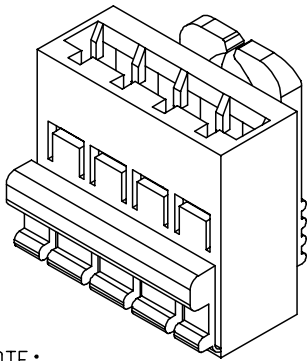
Search Parts in this Series
[94509Series](#)

PLEASE CHECK WWW.MOLEX.COM FOR LATEST PART INFORMATION

10 9 8 7 6 5 4 3 2 1



VISTA DELL'HOUSING
CON SECONDARY LOCK CHIUSO
VIEW OF THE HOUSING WITH
THE SEC. LOCK IN LOCKED POSITION



NOTE:

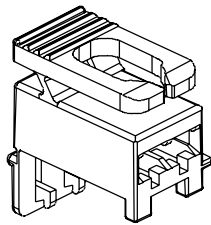
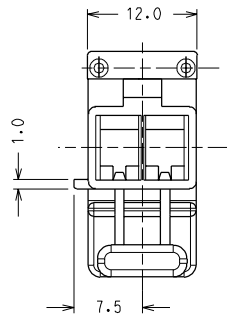
- 1) MATERIALI/ MATERIALS: HOUSING: NYLON 66 NATURALE/PA 66 NATURAL COLOR
PIN: ACCIAIO INOX/STAINLESS STEEL
- 2) PER CODICI, POLARIZZAZIONI, MARCATURE E PACKAGING VEDERE FOGLI SEGUENTI
FOR PART NOS, POLARIZATIONS, MARKINGS AND PACKAGING SEE THE FOLLOWING SHEETS
- 3) LE DIMENSIONI VANNO MISURATE CON CORPI STABILIZZATI SECONDO NG 2301
(AUMENTO IN PESO DEL 2.7 %)
PARTS SHALL BE DIMENSIONALLY CHECKED AFTER ATTAINING EQUILIBRIUM CONDITIONS
E.G. 2.7 % INCREASE IN WEIGHT FOR HUMIDITY ABSORPTION FROM DRY STATUS
- 4) CARATTERISTICHE SECONDO PS 94509
PRODUCT CHARACTERISTICS ACCORDING TO PS 94509 E
- 5) VEDERE FOGLIO 10/10 PER INFORMAZIONI SULLA CONFEZIONE
SEE SHEET 10/10 FOR INFORMATION REGARDING THE PACKAGING

N.° VIE CKT.	2	3	4	5	6	7	8
A	11.8	16.8	21.8	26.8	31.8	36.8	41.8
B	10.4	15.4	20.4	25.4	30.4	35.4	40.4

EC NO: Z2005-00E0 DRAWN: FGOTTARD 2004/09/23 CHKD: RSANDANO 2004/09/23 APPR: GZUIN 2004/09/23	QUALITY SYMBOLS ▽=0 ▽=0	GENERAL TOLERANCES (UNLESS SPECIFIED)		DIMENSION STYLE MM ONLY	SCALE 2:1	DESIGN UNITS METRIC	FIRST ANGLE PROJECTION	
		4 PLACES ± --- ± --- 3 PLACES ± --- ± --- 2 PLACES ± 0.1 ± --- 1 PLACE ± 0.2 ± --- ANGULAR ± 2 °	mm INCH DRAWN BY SBARBIER 1991/01/23 CHECKED BY DATE APPROVED BY MPREVIAT 1991/01/24 DATE MATERIAL NO.	TITLE HOUSING FOR STRAIGHT FORK TERMINAL (WITH STEEL PINS)		MOLEX INCORPORATED		DOCUMENT NO. SD-94509-003
B4	DRAFT WHERE APPLICABLE MUST REMAIN WITHIN DIMENSIONS	SEE CHART		THIS DRAWING CONTAINS INFORMATION THAT IS PROPRIETARY TO MOLEX INCORPORATED AND SHOULD NOT BE USED WITHOUT WRITTEN PERMISSION				

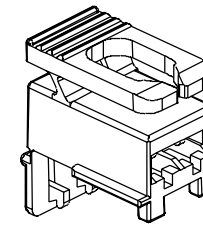
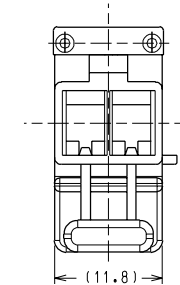
9 8 7 6 5 4 3 2 1

HOUSINGS A 2 VIE: / 2 CKT HOUSINGS:



POLARIZZAZIONE TIPO "A"
TYPE "A" POLARIZATION

N.° VIE	CODICE HOUSING/TIPO POLARIZZAZIONE HOUSING P/N / POLARIZATION	
CKT No.	A	B
2	94509-5210	94509-5220

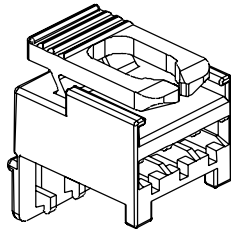
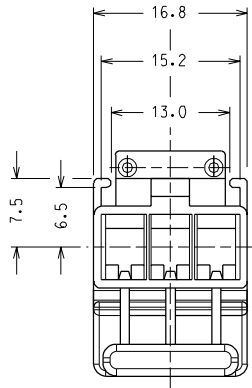


POLARIZZAZIONE TIPO "B"
TYPE "B" POLARIZATION

NOTA: QUESTA VERSIONE E' FORNITA SENZA PIOLINI IN ACCIAIO
NOTE: THIS VERSION IS SUPPLIED WITHOUT STEEL PINS

EC NO. Z9-065 DRWNS. BARBIERI 08-10-98 CHK: S. SDRATO 08-10-98 APPR: R. MARTUCCI 08-10-98	QUALITY SYMBOLS MAJOR M = SIGNIF. S = CRITICAL C =	GENERAL TOLERANCES: (UNLESS SPECIFIED)	SCALE	DESIGN UNITS	DIMENSIONS: <input type="checkbox"/> mm <input type="checkbox"/> INCH <input checked="" type="checkbox"/> mm <input type="checkbox"/> ONLY	SHT	REV
			2:1	<input checked="" type="checkbox"/> mm <input type="checkbox"/> INCH			
B	REV	DESCRIPTION	DRAWN BY & DATE S. BARBIERI 23-01-91		TITLE: HOUSING PER TERM. A FORCELLA DIRITTO (CON PINS IN ACCIAIO) HOUSING FOR STRAIGHT FORK TERMINAL (WITH STEEL PINS)		
			CHECKED BY & DATE				
			APPROVED BY & DATE M. PREVIATO 24-01-91		MATERIAL NO. DRAWING NO. SHEET NO. SEE TABLES SD-94509-003 2/10		
			CAD FILENAME 94509003.S01				
DRAFT WHERE APPLICABLE MUST REMAIN WITHIN DIMENSIONS			THIS DRAWING CONTAINS INFORMATION THAT IS PROPRIETARY TO MOLEX INCORPORATED AND SHOULD NOT BE USED WITHOUT WRITTEN PERMISSION.			SIZE A3	

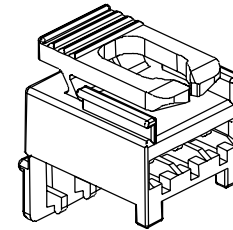
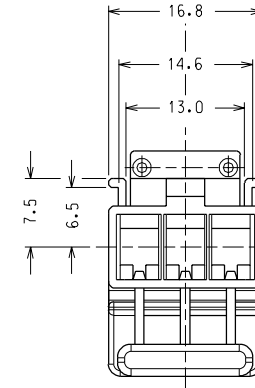
HOUSINGS A 3 VIE: / 3 CKT HOUSINGS:



POLARIZZAZIONE TIPO "A"
TYPE "A" POLARIZATION

N.° VIE	CODICE HOUSING/TIPO POLARIZZAZIONE HOUSING P/N / POLARIZATION	
	A	B
CKT No.	3	3
	94509-5310 *	94509-5320

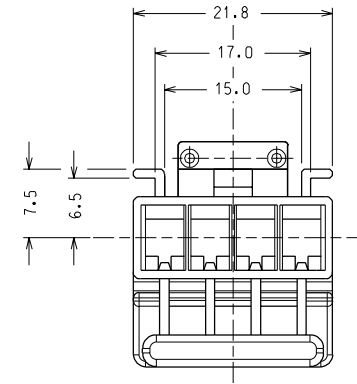
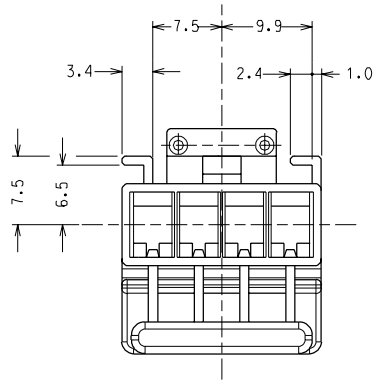
* VERSIONE NON ATTEZZATA
NOT TOOLED



POLARIZZAZIONE TIPO "B"
TYPE "B" POLARIZATION

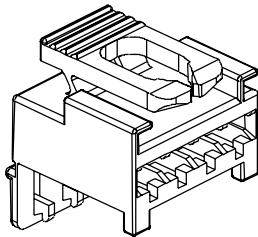
EC NO. Z9-065 DRWNS. BARBIERI 08-10-98 CHK: S. SORATO 08-10-98 APPR: R. MARTUCCI 08-10-98	QUALITY SYMBOLS MAJOR M = SIGNIF. S = CRITICAL C =	GENERAL TOLERANCES: (UNLESS SPECIFIED)		SCALE 2:1	DESIGN UNITS <input checked="" type="checkbox"/> mm <input type="checkbox"/> INCH	DIMENSIONS: <input type="checkbox"/> mm <input type="checkbox"/> INCH <input type="checkbox"/> mm <input checked="" type="checkbox"/> ONLY	SHT	REV
		4 PLACES ±0.1	±0.1	DRAWN BY & DATE S. BARBIERI 23-01-91	TITLE: HOUSING PER TERM. A FORCELLA DIRITTO (CON PINS IN ACCIAIO) HOUSING FOR STRAIGHT FORK TERMINAL (WITH STEEL PINS)			
B	REV	3 PLACES ±0.2	±0.2	CHECKED BY & DATE	APPROVED BY & DATE M. PREVIATO 24-01-91			
		2 PLACES ±0.1	±0.1	CAD FILENAME 94509003.S02		MATERIAL NO. DRAWING NO. SHEET NO. SEE TABLES SD-94509-003 3/10		
		1 PLACE ±0.2	±0.2	ANGULAR: ± 2°		THIS DRAWING CONTAINS INFORMATION THAT IS PROPRIETARY TO MOLEX INCORPORATED AND SHOULD NOT BE USED WITHOUT WRITTEN PERMISSION.		
		DRAFT WHERE APPLICABLE MUST REMAIN WITHIN DIMENSIONS		MOLEX INCORPORATED				SIZE A3

HOUSINGS A 4 VIE: / 4 CKT HOUSINGS:

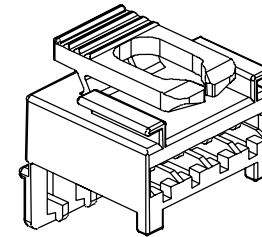


N.° VIE	CODICE HOUSING/TIPO POLARIZZAZIONE	
	HOUSING P/N / POLARIZATION	
CKT No.	A	B
4	94509-5410 *	94509-5420

* VERSIONE NON ATTEZZATA
NOT TOOLED



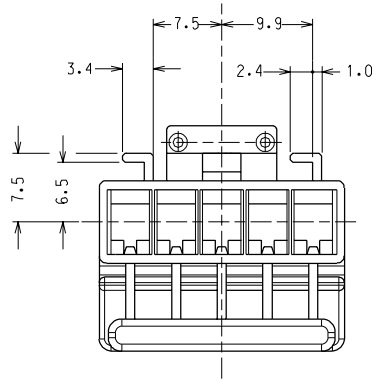
POLARIZZAZIONE TIPO "A"
TYPE "A" POLARIZATION



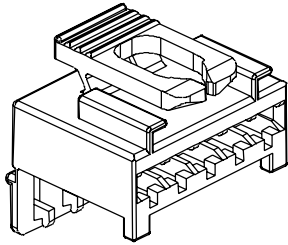
POLARIZZAZIONE TIPO "B"
TYPE "B" POLARIZATION

EC NO. Z9-065 DRWNS. BARBIERI 08-10-98 CHK: S. SDRATO 08-10-98 APPR: R. MARTUCCI 08-10-98	QUALITY SYMBOLS	GENERAL TOLERANCES: (UNLESS SPECIFIED)		SCALE 2:1	DESIGN UNITS <input checked="" type="checkbox"/> mm <input type="checkbox"/> INCH	DIMENSIONS: <input type="checkbox"/> mm <input type="checkbox"/> INCH <input type="checkbox"/> mm <input checked="" type="checkbox"/> ONLY	SHT	REV
	MAJOR $\nabla_M =$	mm	INCH	DRAWN BY & DATE	FIRST ANGLE PROJECTION	TITLE: HOUSING PER TERM. A FORCELLA DIRITTO (CON PINS IN ACCIAIO) HOUSING FOR STRAIGHT FORK TERMINAL (WITH STEEL PINS)		
	SIGNIF. $\nabla_S =$	4 PLACES ±0.	±	S. BARBIERI 23-01-91				
	CRITICAL $\nabla_C =$	3 PLACES ±0.	±	CHECKED BY & DATE	APPROVED BY & DATE	MATERIAL NO. SEE TABLES	DRAWING NO. SD-94509-003	SHEET NO. 4/10
REV	2 PLACES ±0.1	±	M. PREVIATO 24-01-91	CAD FILENAME	THIS DRAWING CONTAINS INFORMATION THAT IS PROPRIETARY TO MOLEX INCORPORATED AND SHOULD NOT BE USED WITHOUT WRITTEN PERMISSION.			
	1 PLACE ±0.2	±	ANGULAR: ± 2°	94509003.S03				
DRAFT WHERE APPLICABLE MUST REMAIN WITHIN DIMENSIONS								

HOUSINGS A 5 VIE: / 5 CKT HOUSINGS:

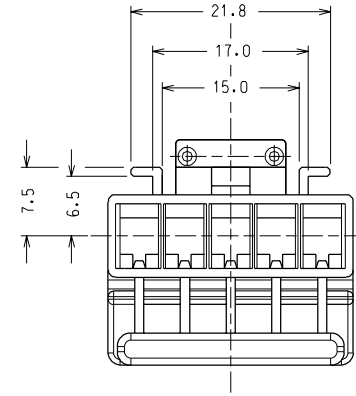


POLARIZZAZIONE TIPO "A"
TYPE "A" POLARIZATION

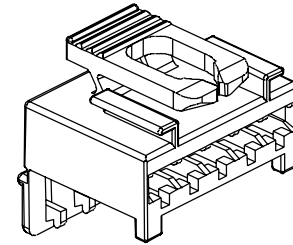


N.° VIE	CODICE HOUSING/TIPO POLARIZZAZIONE <i>HOUSING P/N / POLARIZATION</i>	
CKT No.	A	B
5	94509-5510 *	94509-5520

* VERSIONE NON ATTREZZATA
NOT TOOLED

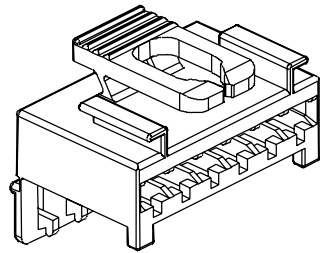
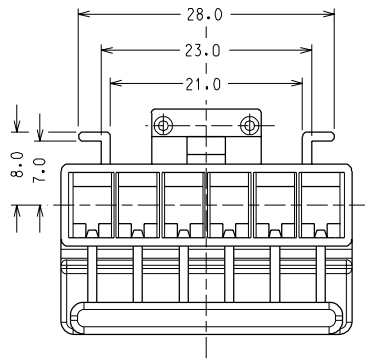


POLARIZZAZIONE TIPO "B"
TYPE "B" POLARIZATION



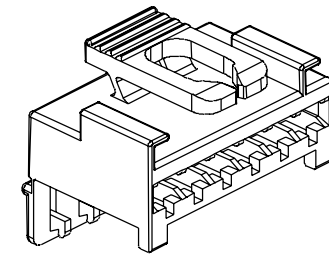
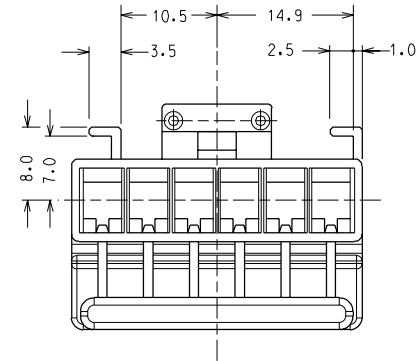
EC NO. Z9-065 DRWNS. BARBIERI 08-10-98 CHK: S. SDRATO 08-10-98 APPR: R. MARTUCCI 08-10-98	QUALITY SYMBOLS MAJOR M = SIGNIF. S = CRITICAL C =	GENERAL TOLERANCES: (UNLESS SPECIFIED)		SCALE 2:1	DESIGN UNITS <input checked="" type="checkbox"/> mm <input type="checkbox"/> INCH	DIMENSIONS: <input type="checkbox"/> mm <input type="checkbox"/> INCH <input type="checkbox"/> mm <input checked="" type="checkbox"/> ONLY	SHT	REV
		4 PLACES ±0.	±.	DRAWN BY & DATE S. BARBIERI 20-12-95	FIRST ANGLE PROJECTION	TITLE: HOUSING PER TERM. A FORCELLA DIRITTO (CON PINS IN ACCIAIO) HOUSING FOR STRAIGHT FORK TERMINAL (WITH STEEL PINS)		REVISE ON CAD ONLY
B	REV	3 PLACES ±0.	±.	CHECKED BY & DATE	APPROVED BY & DATE M. PREVIATO 20-12-95	MATERIAL NO. SEE TABLES	DRAWING NO. SD-94509-003	SHEET NO. 5/10
		2 PLACES ±0.1	±.	ANGULAR: ± 2°	CAD FILENAME 94509003.S04			
		1 PLACE ±0.2	±.	DRAFT WHERE APPLICABLE MUST REMAIN WITHIN DIMENSIONS				

HOUSINGS A 6 VIE: / 6 CKT HOUSINGS:



POLARIZZAZIONE TIPO "A"
TYPE "A" POLARIZATION

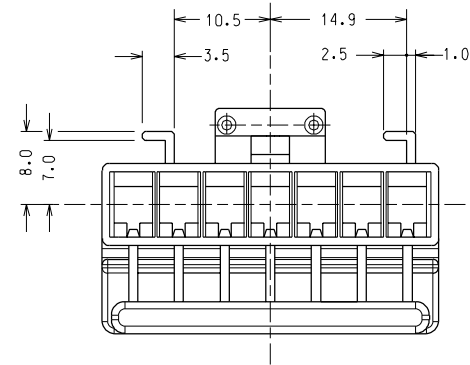
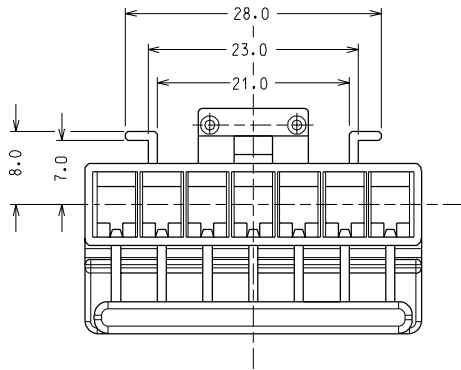
N.° VIE	CODICE HOUSING/TIPO POLARIZZAZIONE HOUSING P/N / POLARIZATION	
CKT No.	A	B
6	94509-5610	94509-5620



POLARIZZAZIONE TIPO "B"
TYPE "B" POLARIZATION

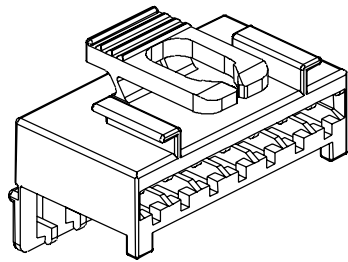
EC NO. Z9-065 DRWNS. BARBIERI 08-10-98 CHK: S. SDRATO 08-10-98 APPR: R. MARTUCCI 08-10-98	QUALITY SYMBOLS MAJOR M = SIGNIF. S = CRITICAL C =	GENERAL TOLERANCES: (UNLESS SPECIFIED)		SCALE 2:1	DESIGN UNITS <input checked="" type="checkbox"/> mm <input type="checkbox"/> INCH	DIMENSIONS: <input type="checkbox"/> mm <input type="checkbox"/> INCH <input checked="" type="checkbox"/> mm ONLY	SHT	REV
		4 PLACES ±0.1	±0.1	DRAWN BY & DATE S. BARBIERI 23-01-91	TITLE: HOUSING PER TERM. A FORCELLA DIRITTO (CON PINS IN ACCIAIO) HOUSING FOR STRAIGHT FORK TERMINAL (WITH STEEL PINS)			
B	REV	3 PLACES ±0.2	±0.2	CHECKED BY & DATE	APPROVED BY & DATE M. PREVIATO 24-01-91			
		2 PLACES ±0.1	±0.1	MATERIAL NO. DRAWING NO. SHEET NO. SEE TABLES SD-94509-003 6/10				
		1 PLACE ±0.2	±0.2	CAD FILENAME 94509003.S05	THIS DRAWING CONTAINS INFORMATION THAT IS PROPRIETARY TO MOLEX INCORPORATED AND SHOULD NOT BE USED WITHOUT WRITTEN PERMISSION.			
		ANGULAR: ± 2°		DRAFT WHERE APPLICABLE MUST REMAIN WITHIN DIMENSIONS		SIZE A3		

HOUSINGS A 7 VIE: / 7 CKT HOUSINGS:

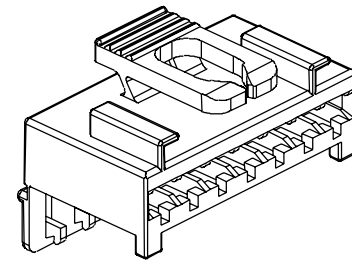


N.° VIE	CODICE HOUSING/TIPO POLARIZZAZIONE HOUSING P/N / POLARIZATION	
CKT No.	A	B
7	94509-5710 *	94509-5720 *

* VERSIONE NON ATTREZZATA
NOT TOOLED



POLARIZZAZIONE TIPO "A"
TYPE "A" POLARIZATION



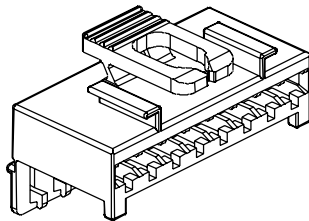
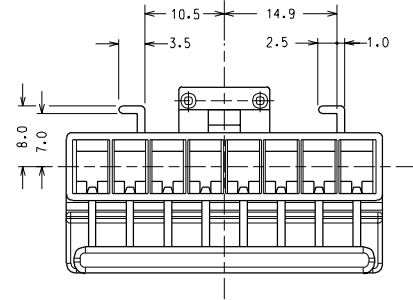
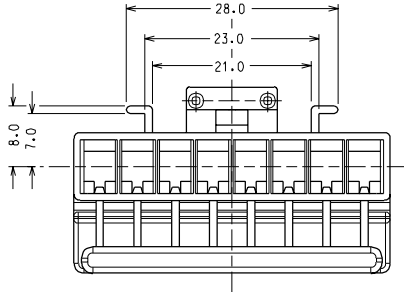
POLARIZZAZIONE TIPO "B"
TYPE "B" POLARIZATION

EC NO. Z9-065 DRWNS. BARBIERI 08-10-98 CHK: S. SDRATO 08-10-98 APPR: R. MARTUCCI 08-10-98	QUALITY SYMBOLS MAJOR M = SIGNIF. S = CRITICAL C =	GENERAL TOLERANCES: (UNLESS SPECIFIED)		SCALE 2:1	DESIGN UNITS <input checked="" type="checkbox"/> mm <input type="checkbox"/> INCH	DIMENSIONS: <input type="checkbox"/> mm <input type="checkbox"/> INCH <input checked="" type="checkbox"/> mm ONLY	SHT	REV
		4 PLACES ±0.1	±0.1	DRAWN BY & DATE S. BARBIERI 23-01-91	TITLE: HOUSING PER TERM. A FORCELLA DIRITTO (CON PINS IN ACCIAIO) HOUSING FOR STRAIGHT FORK TERMINAL (WITH STEEL PINS)			
B	REV	3 PLACES ±0.2	±0.2	CHECKED BY & DATE	APPROVED BY & DATE M. PREVIATO 24-01-91			
		2 PLACES ±0.1	±0.1	ANGULAR: ± 2°	CAD FILENAME 94509003.S06		MATERIAL NO. DRAWING NO. SEE TABLES SD-94509-003	
DRAFT WHERE APPLICABLE MUST REMAIN WITHIN DIMENSIONS		THIS DRAWING CONTAINS INFORMATION THAT IS PROPRIETARY TO MOLEX INCORPORATED AND SHOULD NOT BE USED WITHOUT WRITTEN PERMISSION.		SIZE A3				

HOUSINGS A 8 VIE: / 8 CKT HOUSINGS:

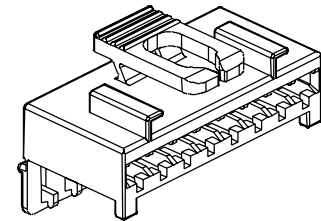
(VEDERE ANCHE FOGLIO SEGUENTE)

(SEE ALSO THE FOLLOWING SHEET)



POLARIZZAZIONE TIPO "A"
TYPE "A" POLARIZATION

N.° VIE	CODICE HOUSING/TIPO POLARIZZAZIONE HOUSING P/N / POLARIZATION	
CKT No.	A	B
8	94509-5810	94509-5820



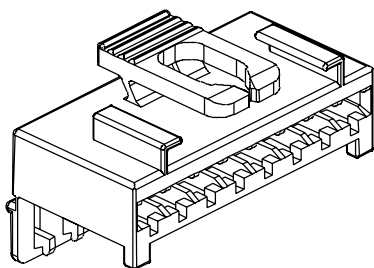
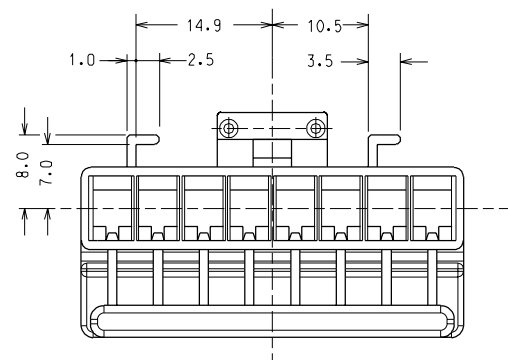
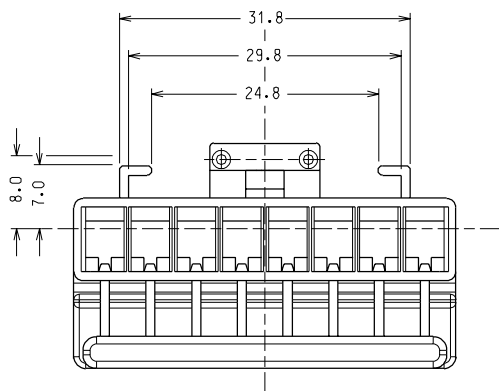
POLARIZZAZIONE TIPO "B"
TYPE "B" POLARIZATION

EC NO. Z9-065 DRAWING: BARBERI 08-10-98 CHK: S. SOPRATO 08-10-98 APPR: R. MARUCCI 08-10-98	QUALITY SYMBOLS MAJOR M SIGNIF. S CRITICAL C	DESCRIPTION	GENERAL TOLERANCES: (UNLESS SPECIFIED)		SCALE	DESIGN UNITS	DIMENSIONS:	SHT	REV
			mm	INCH	2:1	<input checked="" type="checkbox"/> mm <input type="checkbox"/> INCH	<input type="checkbox"/> mm <input type="checkbox"/> INCH <input checked="" type="checkbox"/> mm ONLY		REVISE ON CAD ONLY
B			4 PLACES	±0.1 ±.	DRAWN BY & DATE	<input type="checkbox"/> FIRST ANGLE PROJECTION	TITLE: HOUSING PER TERM. A FORCELLA DIRITTO (CON PINS IN ACCIAIO) HOUSING FOR STRAIGHT FORK TERMINAL (WITH STEEL PINS)		
			3 PLACES	±0.1 ±.	S. BARBERI 23-01-91		MOLEX INCORPORATED		
			2 PLACES	±0.1 ±.	CHECKED BY & DATE		MATERIAL NO.	DRAWING NO.	SHEET NO.
			1 PLACE	±0.2 ±.	APPROVED BY & DATE		SEE TABLES	SD-94509-003	8/10
			ANGULAR: ± 2°		M. PREVIATO 24-01-91				SIZE A3
DRAFT WHERE APPLICABLE MUST REMAIN WITHIN DIMENSIONS			CAD FILENAME			THIS DRAWING CONTAINS INFORMATION THAT IS PROPRIETARY TO MOLEX INCORPORATED AND SHOULD NOT BE USED WITHOUT WRITTEN PERMISSION.			
			94509003.S07						

HOUSINGS A 8 VIE: / 8 CKT HOUSINGS:

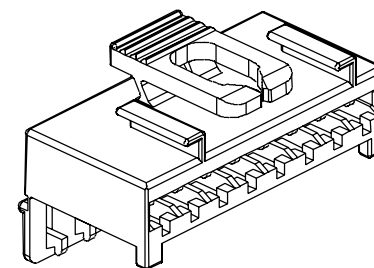
(VEDERE ANCHE FOGLIO PRECEDENTE)

(SEE ALSO THE PREVIOUS SHEET)



POLARIZZAZIONE TIPO "C"
TYPE "C" POLARIZATION

N.° VIE	CODICE HOUSING/TIPO POLARIZZAZIONE	
CKT No.	HOUSING P/N / POLARIZATION	
	C	D
8	94509-5830	94509-5840



POLARIZZAZIONE TIPO "D"
TYPE "D" POLARIZATION

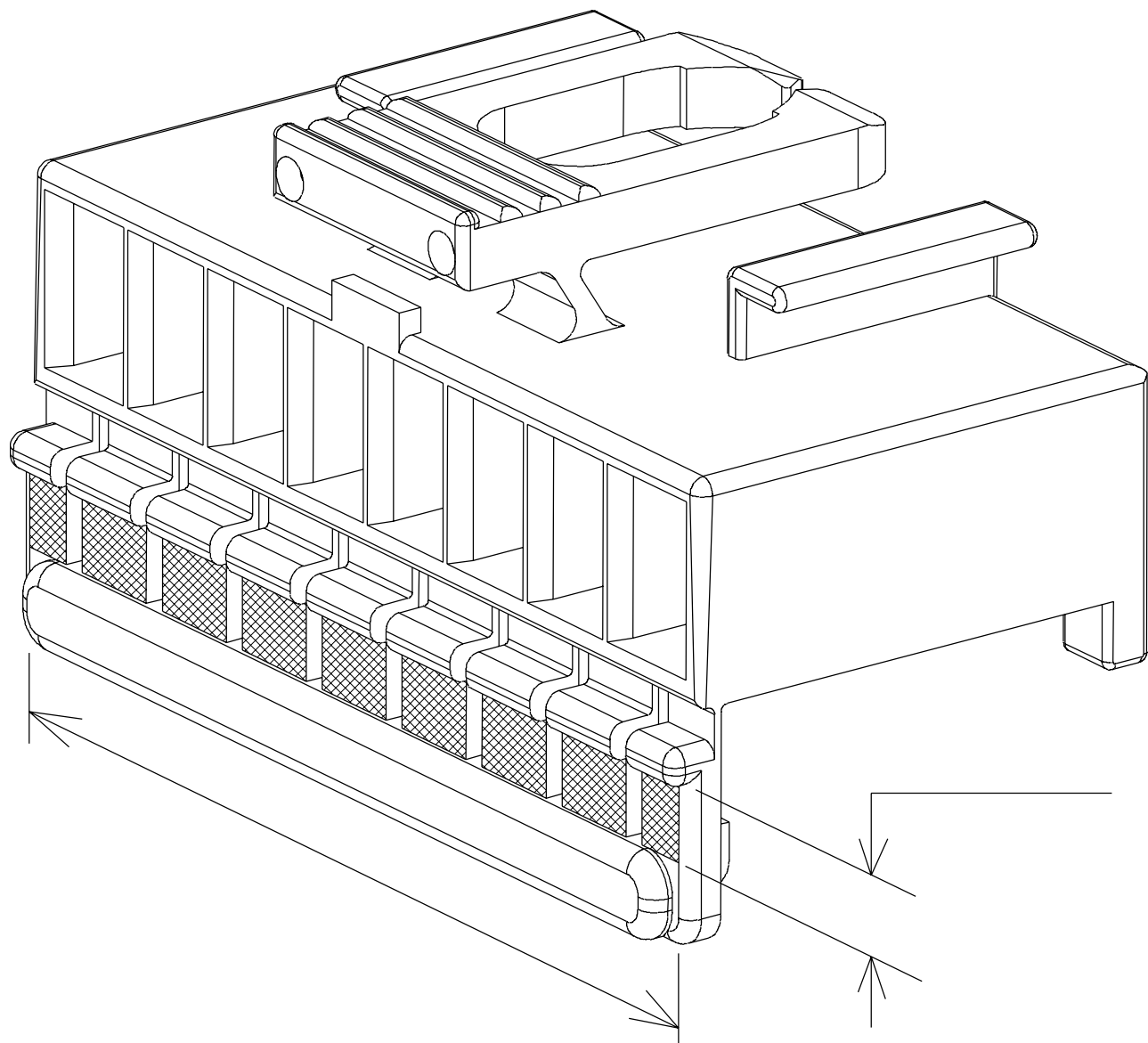
EC NO. Z9-065 DRWNS. BARBIERI 08-10-98 CHK: S. SORATO 08-10-98 APPR: R. MARTUCCI 08-10-98	QUALITY SYMBOLS MAJOR M = SIGNIF. S = CRITICAL C =	GENERAL TOLERANCES: (UNLESS SPECIFIED)		SCALE 2:1	DESIGN UNITS <input checked="" type="checkbox"/> mm <input type="checkbox"/> INCH	DIMENSIONS: <input type="checkbox"/> mm <input type="checkbox"/> INCH <input checked="" type="checkbox"/> mm ONLY	SHT	REV
		4 PLACES ±0.1	±0.2	DRAWN BY & DATE S. BARBIERI 23-01-91	FIRST ANGLE PROJECTION	TITLE: HOUSING PER TERM. A FORCELLA DIRITTO (CON PINS IN ACCIAIO) HOUSING FOR STRAIGHT FORK TERMINAL (WITH STEEL PINS)		
B	REV	3 PLACES ±0.1	±0.2	CHECKED BY & DATE	APPROVED BY & DATE M. PREVIATO 24-01-91	MATERIAL NO. SEE TABLES	DRAWING NO. SD-94509-003	SHEET NO. 9/10
		2 PLACES ±0.1	±0.2	ANGULAR: ± 2°	CAD FILENAME 94509003.S08			
		1 PLACE ±0.2	±0.2	DRAFT WHERE APPLICABLE MUST REMAIN WITHIN DIMENSIONS		THIS DRAWING CONTAINS INFORMATION THAT IS PROPRIETARY TO MOLEX INCORPORATED AND SHOULD NOT BE USED WITHOUT WRITTEN PERMISSION.		

MARCATURE CON BANDA COLORATA
COLOR MARKING

CONFEZIONE - PACKAGING

I PEZZI SONO CONFEZIONATI IN SACCHETTI DI PLASTICA POSTI IN SCATOLE DI CARTONE
PARTS ARE PACKED IN PLASTIC BAGS PUT IN CARTON BOXES

CKT No.	HOUSING P/N - POLARIZATION				STD PACK. QUANTITY
	A	B	C	D	
2	94509-5210	94509-5220			7500
3	94509-5310	94509-5320			5500
4	94509-5410	94509-5420			3000
5	94509-5510	94509-5520			3300
6	94509-5610	94509-5620			2800
7	94509-5710	94509-5720			1500
8	94509-5810	94509-5820	94509-5830	94509-5840	2000



ZONA COLORATA
MARKED AREA

CKT No.	HOUSING P/N	POLARIZATION	COLOR
6	94509-5610	A	—
	94509-5620	B	ROSSO/ RED
8	94509-5810	A	—
	94509-5820	B	ROSSO/ RED
	94509-5830	C	BLU/ BLUE
	94509-5840	D	NERO/ BLACK

EC NO. SEE SHT 1 DRWN: CHK: APPR:	DESCRIPTION	QUALITY SYMBOLS	GENERAL TOLERANCES: (UNLESS SPECIFIED)	SCALE 2:1	DESIGN UNITS <input checked="" type="checkbox"/> mm <input type="checkbox"/> INCH	FIRST ANGLE PROJECTION	DIMENSIONS: <input type="checkbox"/> mm <input type="checkbox"/> INCH <input checked="" type="checkbox"/> mm ONLY	SHT	REV
		MAJOR M =	mm	INCH	DRAWN BY & DATE S. BARBIERI 05-02-98	TITLE: HOUSING PER TERM. A FORCELLA DIRITTO (CON PINS IN ACCIAIO) HOUSING FOR STRAIGHT FORK TERMINAL (WITH STEEL PINS)	REVISE ON CAD ONLY		
B3	REV	SIGNIF. S =	4 PLACES ±0. ±.		CHECKED BY & DATE S. SORATO 06-02-98	MATERIAL NO. DRAWING NO. SHEET NO.	MOLEX INCORPORATED	SEE TABLES	SD-94509-003 10/10
		CRITICAL C =	3 PLACES ±0. ±.		APPROVED BY & DATE R. MARTUCCI 06-02-98				
			2 PLACES ±0.1 ±.		CAD FILENAME 94509003.S09				
			1 PLACE ±0.2 ±.		ANGULAR: ± 2°				
			DRAFT WHERE APPLICABLE MUST REMAIN WITHIN DIMENSIONS		THIS DRAWING CONTAINS INFORMATION THAT IS PROPRIETARY TO MOLEX INCORPORATED AND SHOULD NOT BE USED WITHOUT WRITTEN PERMISSION.				
					SIZE A3				