

**PLEASE CHECK WWW.MOLEX.COM FOR LATEST PART INFORMATION**

**Part Number:** [0945099610](#)  
**Status:** **Active**  
**Description:** Housing for Straight Fork Terminal, 6 Circuits, Polarization A

**Documents:**

[Drawing \(PDF\)](#) [RoHS Certificate of Compliance \(PDF\)](#)  
[Product Specification PS-94509-002 \(PDF\)](#)

**General**

Product Family Crimp Housings  
 Series [94509](#)  
 Product Name Pitch 5 Edge Card

**Physical**

Breakaway No  
 Circuits (maximum) 6  
 Color - Resin Natural  
 Gender Female  
 Glow-Wire Compliant No  
 Material - Resin Nylon  
 Number of Rows 1  
 Packaging Type Bag  
 Panel Mount No  
 Pitch - Mating Interface (in) 0.197 In  
 Pitch - Mating Interface (mm) 5.00 mm  
 Pitch - Term. Interface (in) 0.197 In  
 Pitch - Term. Interface (mm) 5.00 mm  
 Polarized to Mating Part Yes  
 Ports 1  
 Stackable No  
 Temperature Range - Operating -30°C TO +80°C

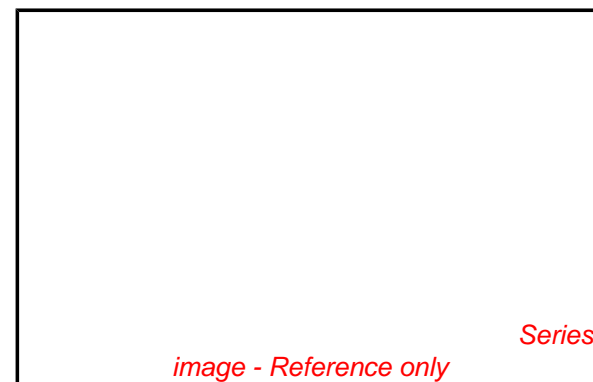
**Electrical**

Current - Maximum per Contact 3A, 6A

**Material Info**

**Reference - Drawing Numbers**

Product Specification PS-94509-002  
 Sales Drawing SD-94509-009



**EU RoHS**  
**ELV and RoHS**  
**Compliant**  
**REACH SVHC**  
**Contains SVHC: No**  
**Halogen-Free**  
**Status**  
**Not Reviewed**

**China RoHS**

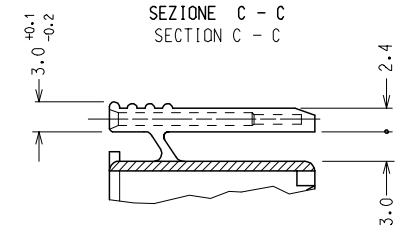
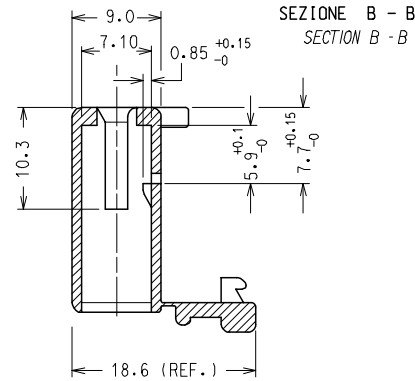
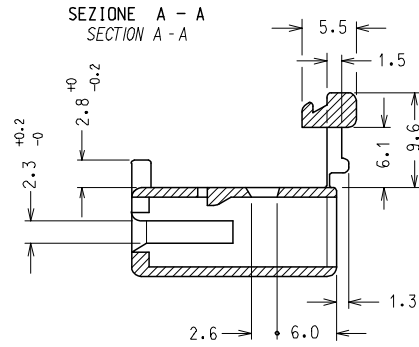
**Need more information on product environmental compliance?**  
 Email [productcompliance@molex.com](mailto:productcompliance@molex.com)  
 For a multiple part number RoHS Certificate of Compliance, [click here](#)

Please visit the [Contact Us](#) section for any non-product compliance questions.

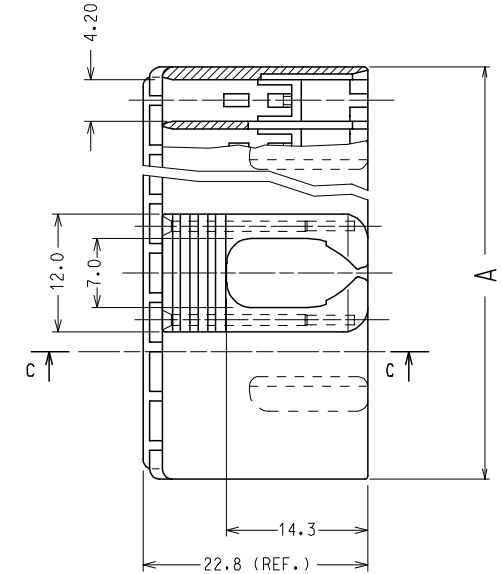
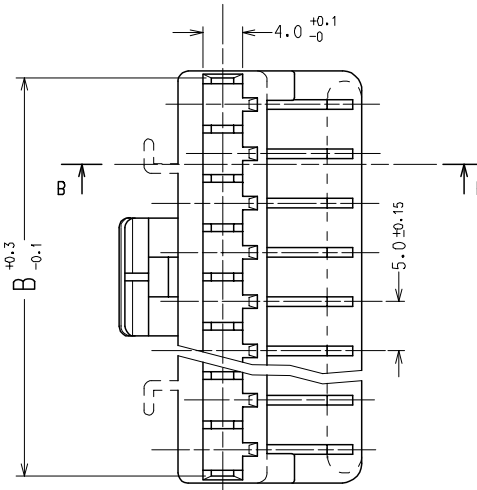
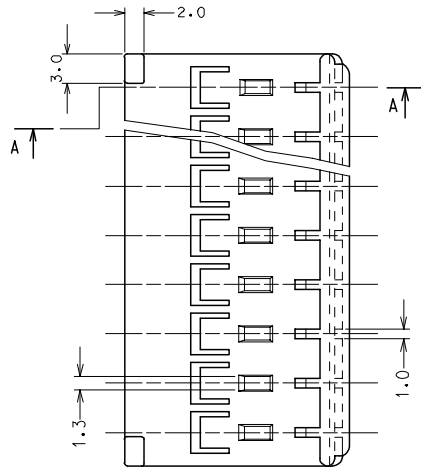
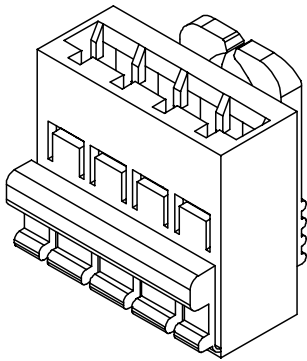
**Search Parts in this Series**  
[94509Series](#)

**PLEASE CHECK WWW.MOLEX.COM FOR LATEST PART INFORMATION**

10 9 8 7 6 5 4 3 2 1



VISTA DELL'HOUSING  
CON SECONDARY LOCK CHIUSO  
VIEW OF THE HOUSING WITH  
THE SEC.LOCK IN LOCKED POSITION



**NOTE:**

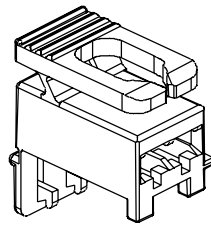
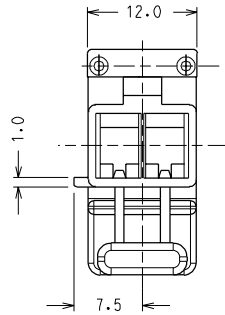
- 1) MATERIALE/ MATERIAL: PA 66 NATURALE/ PA 66 NATURAL COLOR
- 2) PER CODICI, POLARIZZAZIONI, MARCATURE E PACKAGING VEDERE FOGLI SEGUENTI FOR PART NOS, POLARIZATIONS, MARKINGS AND PACKAGING SEE THE FOLLOWING SHEETS
- 3) LE DIMENSIONI VANNO MISURATE CON CORPI STABILIZZATI SECONDO NG 2301 (AUMENTO IN PESO DEL 2.7 %) PARTS SHALL BE DIMENSIONALLY CHECKED AFTER ATTAINING EQUILIBRIUM CONDITIONS E.G. 2.7 % INCREASE IN WEIGHT FOR HUMIDITY ABSORPTION FROM DRY STATUS
- 4) CARATTERISTICHE SECONDO PS 94509 PRODUCT CHARACTERISTICS ACCORDING TO PS 94509 E
- 5) VEDERE FOGLIO 10/10 PER INFORMAZIONI SULLA CONFEZIONE SEE SHEET 10/10 FOR INFORMATION REGARDING THE PACKAGING

N.° VIE CKT.	2	3	4	5	6	7	8
A	11.8	16.8	21.8	26.8	31.8	36.8	41.8
B	10.4	15.4	20.4	25.4	30.4	35.4	40.4

EC NO: Z2005-0030 DRAWN: FGOTTARD 2004/09/23 CHKD: RSANDANO 2004/09/23 APPR: GZUIN 2004/09/23	QUALITY SYMBOLS ▽=0 ▽=0	GENERAL TOLERANCES (UNLESS SPECIFIED)		DIMENSION STYLE MM ONLY		SCALE 2:1	DESIGN UNITS METRIC	FIRST ANGLE PROJECTION			
		4 PLACES ± --- ± --- 3 PLACES ± --- ± --- 2 PLACES ± 0.1 ± --- 1 PLACE ± 0.2 ± --- ANGULAR ± 2 °		DRAWN BY SBARBIER 1995/12/20 CHECKED BY DATE		TITLE HOUSING FOR STRAIGHT FORK TERMINAL (WITHOUT STEEL PINS)		MOLEX INCORPORATED			
		DRAFT WHERE APPLICABLE MUST REMAIN WITHIN DIMENSIONS		APPROVED BY MPREVIAT 1995/12/20		SEE CHART		DOCUMENT NO. SD-94509-009		SHEET NO. 1 OF 10	
		SIZE A3		THIS DRAWING CONTAINS INFORMATION THAT IS PROPRIETARY TO MOLEX INCORPORATED AND SHOULD NOT BE USED WITHOUT WRITTEN PERMISSION							

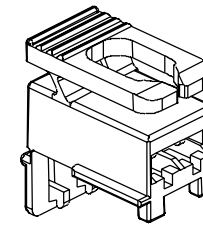
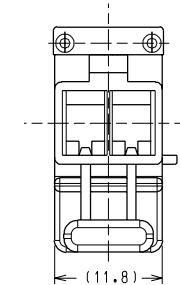
9 8 7 6 5 4 3 2 1

# HOUSINGS A 2 VIE: / 2 CKT HOUSINGS:



POLARIZZAZIONE TIPO "A"  
TYPE "A" POLARIZATION

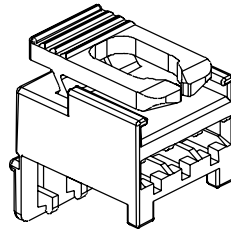
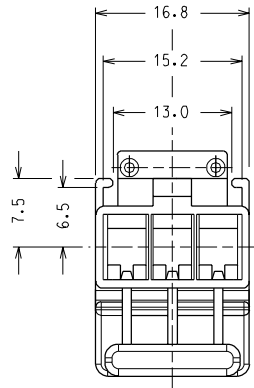
N.° VIE	CODICE HOUSING/TIPO POLARIZZAZIONE HOUSING P/N / POLARIZATION	
CKT No.	A	B
2	94509-5210	94509-5220



POLARIZZAZIONE TIPO "B"  
TYPE "B" POLARIZATION

EC NO. Z9-139 DRWNS. BARBIERI 26-03-99 CHK: S. SORATO 29-03-99 APPR: R. MARTUCCI 29-03-99	QUALITY SYMBOLS MAJOR M = SIGNIF. S = CRITICAL C =	GENERAL TOLERANCES: (UNLESS SPECIFIED)		SCALE 2:1	DESIGN UNITS <input checked="" type="checkbox"/> mm <input type="checkbox"/> INCH	DIMENSIONS: <input type="checkbox"/> mm <input type="checkbox"/> INCH <input type="checkbox"/> mm <input checked="" type="checkbox"/> mm ONLY	SHT	REV
		4 PLACES ±0.1	±0.1	DRAWN BY & DATE S. BARBIERI 20-12-95	FIRST ANGLE PROJECTION	TITLE: HOUSING PER TERM. A FORCELLA DIRITTO (SENZA PINS IN ACCIAIO) HOUSING FOR STRAIGHT FORK TERMINAL (WITHOUT STEEL PINS)		
B1	REV	3 PLACES ±0.2	±0.2	CHECKED BY & DATE	APPROVED BY & DATE M. PREVIATO 20-12-95	MATERIAL NO. DRAWING NO. SHEET NO. SEE TABLES SD-94509-009 2/10		
		2 PLACES ±0.1	±0.1	ANGULAR: ± 2°	CAD FILENAME 94509009.S01	THIS DRAWING CONTAINS INFORMATION THAT IS PROPRIETARY TO MOLEX INCORPORATED AND SHOULD NOT BE USED WITHOUT WRITTEN PERMISSION.		
		1 PLACE ±0.2	±0.2	DRAFT WHERE APPLICABLE MUST REMAIN WITHIN DIMENSIONS				SIZE A3

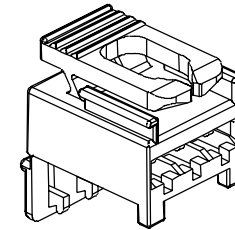
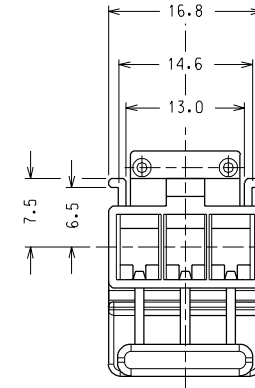
# HOUSINGS A 3 VIE: / 3 CKT HOUSINGS:



POLARIZZAZIONE TIPO "A"  
TYPE "A" POLARIZATION

N.° VIE	CODICE HOUSING/TIPO POLARIZZAZIONE HOUSING P/N / POLARIZATION	
	A	B
CKT No.	3	3
	94509-9310 *	94509-9320

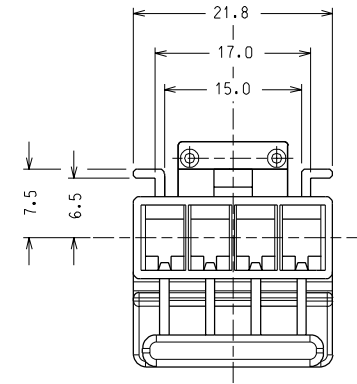
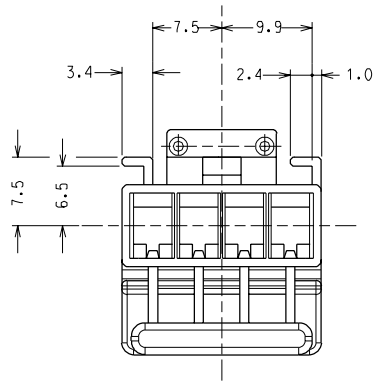
\* VERSIONE NON ATTEZZATA  
NOT TOOLED



POLARIZZAZIONE TIPO "B"  
TYPE "B" POLARIZATION

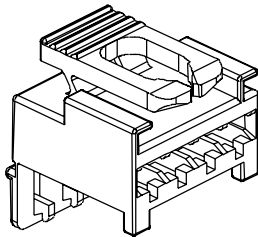
EC NO. Z9-139 DRWNS. BARBIERI 26-03-99 CHK: S. SORATO 29-03-99 APPR: R. MARTUCCI 29-03-99	QUALITY SYMBOLS MAJOR M = SIGNIF. S = CRITICAL C =	GENERAL TOLERANCES: (UNLESS SPECIFIED)		SCALE 2:1	DESIGN UNITS <input checked="" type="checkbox"/> mm <input type="checkbox"/> INCH	DIMENSIONS: <input type="checkbox"/> mm <input type="checkbox"/> INCH <input type="checkbox"/> mm <input checked="" type="checkbox"/> ONLY	SHT	REV
		4 PLACES ±0.1	±0.1	DRAWN BY & DATE S. BARBIERI 20-12-95	TITLE: HOUSING PER TERM. A FORCELLA DIRITTO (SENZA PINS IN ACCIAIO) HOUSING FOR STRAIGHT FORK TERMINAL (WITHOUT STEEL PINS)			
B1	REV	3 PLACES ±0.2	±0.2	CHECKED BY & DATE	APPROVED BY & DATE M. PREVIATO 20-12-95	MATERIAL NO. SEE TABLES	DRAWING NO. SD-94509-009	SHEET NO. 3/10
		2 PLACES ±0.1	±0.1	ANGULAR: ± 2°	CAD FILENAME 94509009.S02			
DRAFT WHERE APPLICABLE MUST REMAIN WITHIN DIMENSIONS		THIS DRAWING CONTAINS INFORMATION THAT IS PROPRIETARY TO MOLEX INCORPORATED AND SHOULD NOT BE USED WITHOUT WRITTEN PERMISSION.		SIZE A3				

# HOUSINGS A 4 VIE: / 4 CKT HOUSINGS:

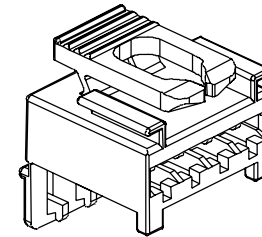


N.° VIE	CODICE HOUSING/TIPO POLARIZZAZIONE <i>HOUSING P/N / POLARIZATION</i>	
CKT No.	A	B
4	94509-9410 *	94509-9420

\* VERSIONE NON ATTREZZATA  
NOT TOOLED



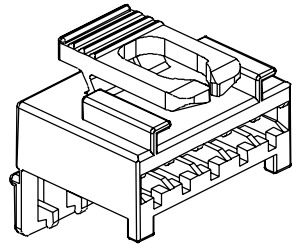
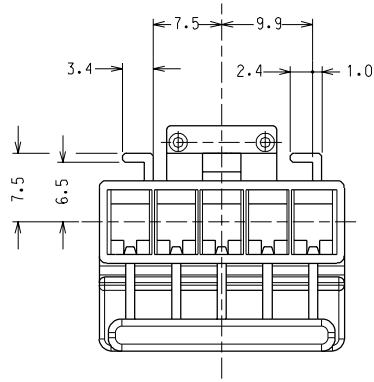
POLARIZZAZIONE TIPO "A"  
TYPE "A" POLARIZATION



POLARIZZAZIONE TIPO "B"  
TYPE "B" POLARIZATION

EC NO. Z9-139 DRWNS. BARBIERI 26-03-99 CHK: S. SORATO 29-03-99 APPR: R. MARTUCCI 29-03-99	QUALITY SYMBOLS MAJOR M = SIGNIF. S = CRITICAL C =	GENERAL TOLERANCES: (UNLESS SPECIFIED)		SCALE 2:1	DESIGN UNITS <input checked="" type="checkbox"/> mm <input type="checkbox"/> INCH	DIMENSIONS: <input type="checkbox"/> mm <input type="checkbox"/> INCH <input type="checkbox"/> mm <input checked="" type="checkbox"/> ONLY	SHT	REV
		4 PLACES ±0.1	±0.2	DRAWN BY & DATE S. BARBIERI 20-12-95	TITLE: HOUSING PER TERM. A FORCELLA DIRITTO (SENZA PINS IN ACCIAIO) HOUSING FOR STRAIGHT FORK TERMINAL (WITHOUT STEEL PINS)			
B1	REV	3 PLACES ±0.1	±0.2	CHECKED BY & DATE	MATERIAL NO. DRAWING NO. SHEET NO. SEE TABLES SD-94509-009 4/10			
		2 PLACES ±0.1	±0.2	APPROVED BY & DATE M. PREVIATO 20-12-95	THIS DRAWING CONTAINS INFORMATION THAT IS PROPRIETARY TO MOLEX INCORPORATED AND SHOULD NOT BE USED WITHOUT WRITTEN PERMISSION.			
		1 PLACE ±0.2	±0.2	CAD FILENAME 94509009.S03	SIZE A3			
		ANGULAR: ± 2°		DRAFT WHERE APPLICABLE MUST REMAIN WITHIN DIMENSIONS				

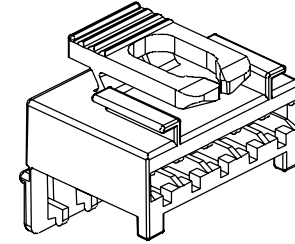
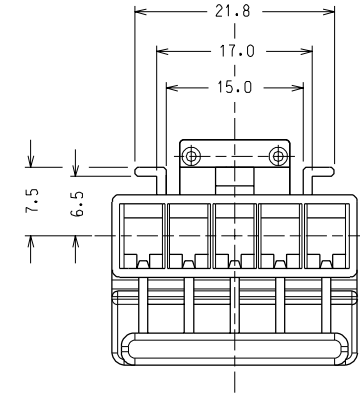
# HOUSINGS A 5 VIE: / 5 CKT HOUSINGS:



POLARIZZAZIONE TIPO "A"  
TYPE "A" POLARIZATION

N.° VIE	CODICE HOUSING/TIPO POLARIZZAZIONE HOUSING P/N / POLARIZATION	
CKT No.	A	B
5	94509-9510 *	94509-9520

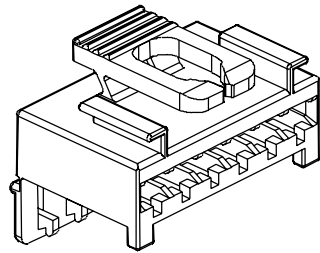
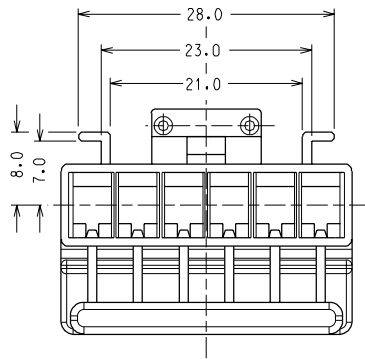
\* VERSIONE NON ATTREZZATA  
NOT TOOLED



POLARIZZAZIONE TIPO "B"  
TYPE "B" POLARIZATION

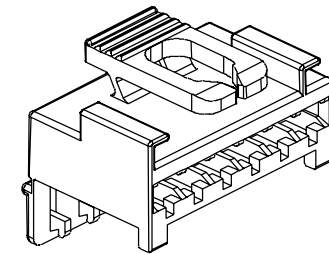
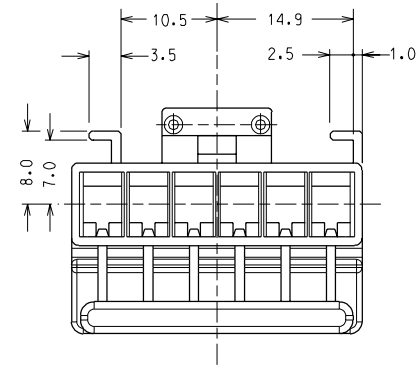
EC NO. Z9-139 DRWNS. BARBIERI 26-03-99 CHK: S. SORATO 29-03-99 APPR: R. MARTUCCI 29-03-99	QUALITY SYMBOLS MAJOR M = SIGNIF. S = CRITICAL C =	GENERAL TOLERANCES: (UNLESS SPECIFIED)		SCALE 2:1	DESIGN UNITS <input checked="" type="checkbox"/> mm <input type="checkbox"/> INCH	DIMENSIONS: <input type="checkbox"/> mm <input type="checkbox"/> INCH <input type="checkbox"/> mm <input checked="" type="checkbox"/> ONLY	SHT	REV
		4 PLACES ±0.	±.	DRAWN BY & DATE S. BARBIERI 23-01-91	TITLE: HOUSING PER TERM. A FORCELLA DIRITTO (SENZA PINS IN ACCIAIO) HOUSING FOR STRAIGHT FORK TERMINAL (WITHOUT STEEL PINS)			
B1	REV	3 PLACES ±0.	±.	CHECKED BY & DATE	APPROVED BY & DATE M. PREVIATO 24-01-91			
		2 PLACES ±0.1	±.	CAD FILENAME 9450909.S04	MATERIAL NO. DRAWING NO. SHEET NO. SEE TABLES SD-94509-009 5/10			
		1 PLACE ±0.2	±.	ANGULAR: ± 2°		THIS DRAWING CONTAINS INFORMATION THAT IS PROPRIETARY TO MOLEX INCORPORATED AND SHOULD NOT BE USED WITHOUT WRITTEN PERMISSION.		
		DRAFT WHERE APPLICABLE MUST REMAIN WITHIN DIMENSIONS						SIZE A3

# HOUSINGS A 6 VIE: / 6 CKT HOUSINGS:



POLARIZZAZIONE TIPO "A"  
TYPE "A" POLARIZATION

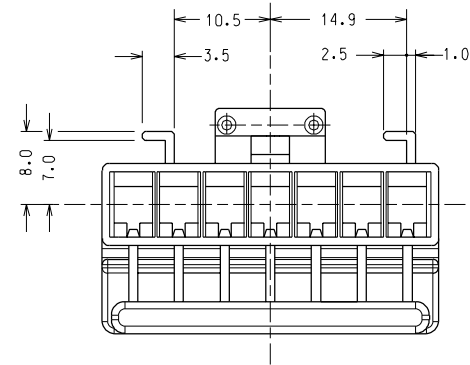
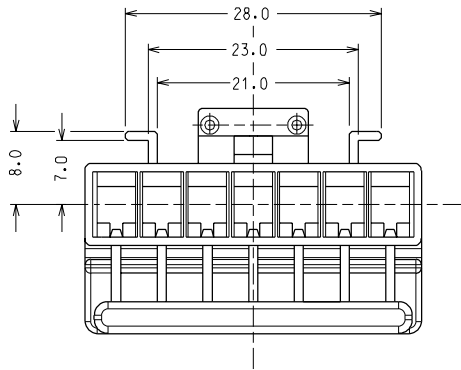
N.° VIE	CODICE HOUSING/TIPO POLARIZZAZIONE HOUSING P/N / POLARIZATION	
CKT No.	A	B
6	94509-9610	94509-9620



POLARIZZAZIONE TIPO "B"  
TYPE "B" POLARIZATION

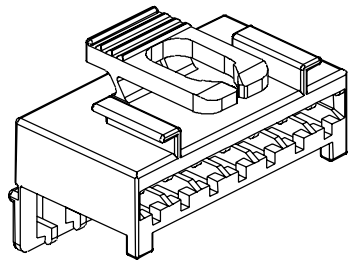
EC NO. Z9-139 DRWNS. BARBIERI 26-03-99 CHK: S. SORATO 29-03-99 APPR: R. MARTUCCI 29-03-99	QUALITY SYMBOLS MAJOR M = SIGNIF. S = CRITICAL C =	GENERAL TOLERANCES: (UNLESS SPECIFIED)		SCALE 2:1	DESIGN UNITS <input checked="" type="checkbox"/> mm <input type="checkbox"/> INCH	DIMENSIONS: <input type="checkbox"/> mm <input type="checkbox"/> INCH <input checked="" type="checkbox"/> mm ONLY	SHT	REV	
		4 PLACES ±0.1	±0.1	DRAWN BY & DATE S. BARBIERI 20-12-95	TITLE: HOUSING PER TERM. A FORCELLA DIRITTO (SENZA PINS IN ACCIAIO) HOUSING FOR STRAIGHT FORK TERMINAL (WITHOUT STEEL PINS)				
B1	REV	3 PLACES ±0.2	±0.2	CHECKED BY & DATE	APPROVED BY & DATE M. PREVIATO 20-12-95				
		2 PLACES ±0.1	±0.1	MATERIAL NO. DRAWING NO. SHEET NO. SEE TABLES SD-94509-009 6/10		MATERIAL NO. DRAWING NO. SHEET NO. SD-94509-009 6/10			
		1 PLACE ±0.2	±0.2	CAD FILENAME 94509009.S05	THIS DRAWING CONTAINS INFORMATION THAT IS PROPRIETARY TO MOLEX INCORPORATED AND SHOULD NOT BE USED WITHOUT WRITTEN PERMISSION.				
		ANGULAR: ± 2°		DRAFT WHERE APPLICABLE MUST REMAIN WITHIN DIMENSIONS				SIZE A3	

# HOUSINGS A 7 VIE: / 7 CKT HOUSINGS:

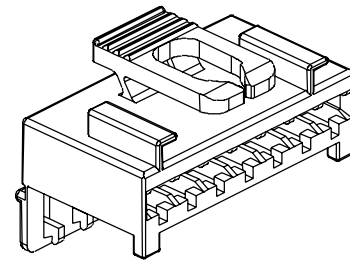


N.° VIE	CODICE HOUSING/TIPO POLARIZZAZIONE HOUSING P/N / POLARIZATION	
CKT No.	A	B
7	94509-9710 *	94509-9720 *

\* VERSIONE NON ATTREZZATA  
NOT TOOLED



POLARIZZAZIONE TIPO "A"  
TYPE "A" POLARIZATION



POLARIZZAZIONE TIPO "B"  
TYPE "B" POLARIZATION

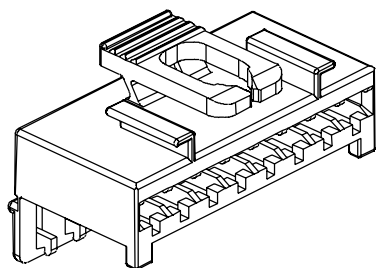
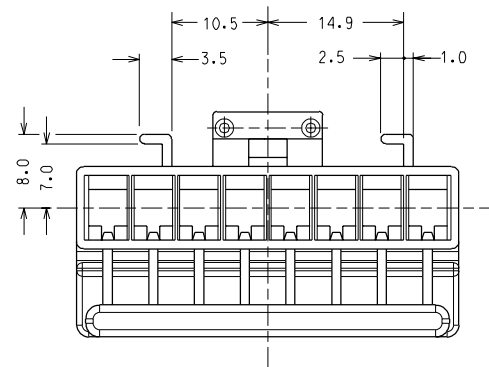
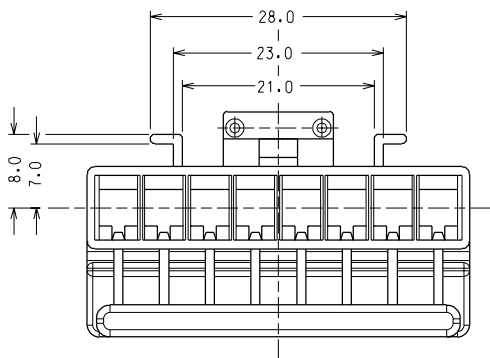
EC NO. Z9-139 DRWNS. BARBIERI 26-03-99 CHK: S. SORATO 29-03-99 APPR: M. MARTUCCI 29-03-99	QUALITY SYMBOLS MAJOR M = SIGNIF. S = CRITICAL C =	GENERAL TOLERANCES: (UNLESS SPECIFIED)		SCALE 2:1	DESIGN UNITS <input checked="" type="checkbox"/> mm <input type="checkbox"/> INCH	DIMENSIONS: <input type="checkbox"/> mm <input type="checkbox"/> INCH <input checked="" type="checkbox"/> mm <input type="checkbox"/> ONLY	SHT	REV
		4 PLACES ±0.1	±0.2	DRAWN BY & DATE S. BARBIERI 20-12-95	FIRST ANGLE PROJECTION	TITLE: HOUSING PER TERM. A FORCELLA DIRITTO (SENZA PINS IN ACCIAIO) HOUSING FOR STRAIGHT FORK TERMINAL (WITHOUT STEEL PINS)	REVISION ON CAD ONLY	
B1	REV	3 PLACES ±0.2	±0.1	CHECKED BY & DATE	APPROVED BY & DATE M. PREVIATO 20-12-95	MATERIAL NO. SEE TABLES	DRAWING NO. SD-94509-009	SHEET NO. 7/10
		2 PLACES ±0.1	±0.2	ANGULAR: ± 2°	CAD FILENAME 94509009.S06			
DRAFT WHERE APPLICABLE MUST REMAIN WITHIN DIMENSIONS		THIS DRAWING CONTAINS INFORMATION THAT IS PROPRIETARY TO MOLEX INCORPORATED AND SHOULD NOT BE USED WITHOUT WRITTEN PERMISSION.						



# HOUSINGS A 8 VIE: / 8 CKT HOUSINGS:

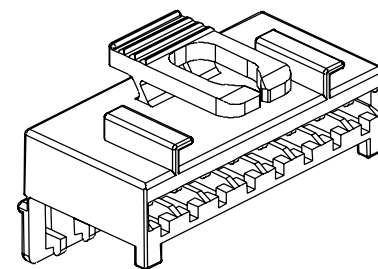
(VEDERE ANCHE FOGLIO SEGUENTE)

(SEE ALSO THE FOLLOWING SHEET)



POLARIZZAZIONE TIPO "A"  
TYPE "A" POLARIZATION

N.° VIE	CODICE HOUSING/TIPO POLARIZZAZIONE	
CKT No.	HOUSING P/N / POLARIZATION	
	A	B
8	94509-9810	94509-9820



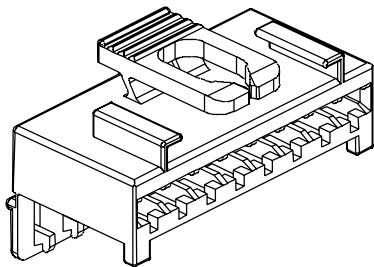
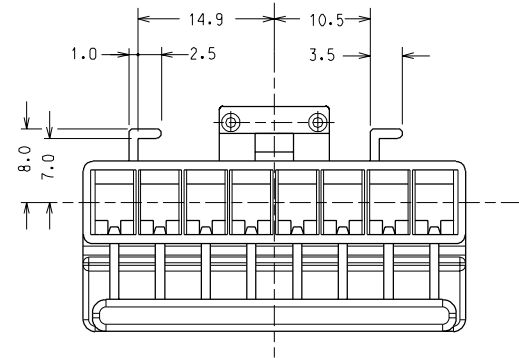
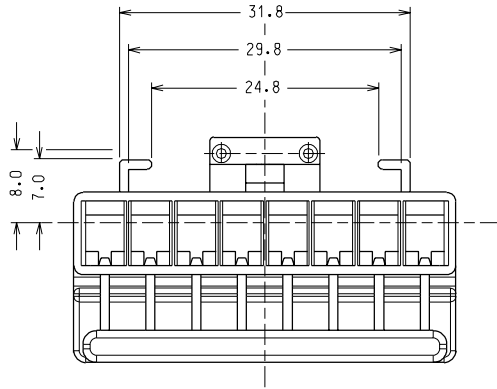
POLARIZZAZIONE TIPO "B"  
TYPE "B" POLARIZATION

EC NO. Z9-139 DRWNS. BARBIERI 26-03-99 CHK: S. SORATO 29-03-99 APPR: R. MARTUCCI 29-03-99	QUALITY SYMBOLS MAJOR M SIGNIF. S CRITICAL C	GENERAL TOLERANCES: (UNLESS SPECIFIED)		SCALE 2:1	DESIGN UNITS <input checked="" type="checkbox"/> mm <input type="checkbox"/> INCH	DIMENSIONS: <input type="checkbox"/> mm <input type="checkbox"/> INCH <input checked="" type="checkbox"/> mm ONLY	SHT	REV
		4 PLACES ±0.1	±0.2	DRAWN BY & DATE S. BARBIERI 20-12-95	CHECKED BY & DATE	TITLE: HOUSING PER TERM. A FORCELLA DIRITTO (SENZA PINS IN ACCIAIO) HOUSING FOR STRAIGHT FORK TERMINAL (WITHOUT STEEL PINS)		REVISION ON CAD ONLY
B1	REV	3 PLACES ±0.1	±0.2	APPROVED BY & DATE M. PREVIATO 20-12-95	CAD FILENAME 94509009.S07	MATERIAL NO. SEE TABLES	DRAWING NO. SD-94509-009	SHEET NO. 8/10
		2 PLACES ±0.1	±0.2	ANGULAR: ± 2°	MOLEX INCORPORATED		SIZE A3	
		1 PLACE ±0.2	±0.2	DRAFT WHERE APPLICABLE MUST REMAIN WITHIN DIMENSIONS		THIS DRAWING CONTAINS INFORMATION THAT IS PROPRIETARY TO MOLEX INCORPORATED AND SHOULD NOT BE USED WITHOUT WRITTEN PERMISSION.		

# HOUSINGS A 8 VIE: / 8 CKT HOUSINGS:

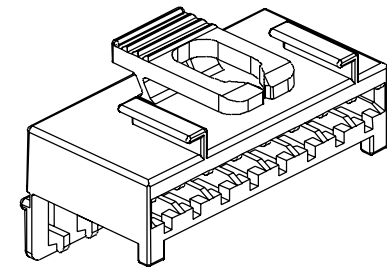
(VEDERE ANCHE FOGLIO PRECEDENTE)

(SEE ALSO THE PREVIOUS SHEET)



POLARIZZAZIONE TIPO "C"  
TYPE "C" POLARIZATION

N.° VIE	CODICE HOUSING/TIPO POLARIZZAZIONE	
CKT No.	HOUSING P/N / POLARIZATION	
	C	D
8	94509-9830	94509-9840



POLARIZZAZIONE TIPO "D"  
TYPE "D" POLARIZATION

EC NO. Z9-139 DRWNS. BARBERI 26-03-99 CHK: S. SORATO 29-03-99 APPR: M. MARTUCCI 29-03-99	QUALITY SYMBOLS MAJOR M SIGNIF. S CRITICAL C	GENERAL TOLERANCES: (UNLESS SPECIFIED)		SCALE 2:1	DESIGN UNITS <input checked="" type="checkbox"/> mm <input type="checkbox"/> INCH	DIMENSIONS: <input type="checkbox"/> mm <input type="checkbox"/> INCH <input checked="" type="checkbox"/> mm ONLY	SHT	REV
		4 PLACES ±0.1	±0.2	DRAWN BY & DATE S. BARBERI 20-12-95	FIRST ANGLE PROJECTION	TITLE: HOUSING PER TERM. A FORCELLA DIRITTO (SENZA PINS IN ACCIAIO) HOUSING FOR STRAIGHT FORK TERMINAL (WITHOUT STEEL PINS)		REVISION ON CAD ONLY
B1	REV	3 PLACES ±0.2	±0.3	CHECKED BY & DATE	APPROVED BY & DATE M. PREVIATO 20-12-95	MATERIAL NO. SEE TABLES	DRAWING NO. SD-94509-009	SHEET NO. 9/10
		2 PLACES ±0.1	±0.2	ANGULAR: ± 2°	CAD FILENAME 94509009.S08			
DRAFT WHERE APPLICABLE MUST REMAIN WITHIN DIMENSIONS		THIS DRAWING CONTAINS INFORMATION THAT IS PROPRIETARY TO MOLEX INCORPORATED AND SHOULD NOT BE USED WITHOUT WRITTEN PERMISSION.						

# CONFEZIONE - PACKAGING

I PEZZI SONO CONFEZIONATI IN SACCHETTI DI PLASTICA POSTI IN SCATOLE DI CARTONE  
 PARTS ARE PACKED IN PLASTIC BAGS PUT IN CARTON BOXES

CKT No.	HOUSING P/N - POLARIZATION				STD PACK. QUANTITY
	A	B	C	D	
2	94509-5210	94509-5220			7500
3	94509-9310	94509-9320			5500
4	94509-9410	94509-9420			3000
5	94509-9510	94509-9520			3300
6	94509-9610	94509-9620			2800
7	94509-9710	94509-9720			1500
8	94509-9810	94509-9820	94509-9830	94509-9840	2000

EC NO. SEE SHT 1 DRWN: CHK: APPR:	DESCRIPTION MAJOR SIGNIF. CRITICAL	QUALITY SYMBOLS MAJOR M = SIGNIF. S = CRITICAL C =	GENERAL TOLERANCES: (UNLESS SPECIFIED) mm INCH 4 PLACES ±0. ±. 3 PLACES ±0. ±. 2 PLACES ±0.1 ±. 1 PLACE ±0.2 ±. ANGULAR: ± 2° DRAFT WHERE APPLICABLE MUST REMAIN WITHIN DIMENSIONS	SCALE 2:1 DESIGN UNITS <input checked="" type="checkbox"/> mm <input type="checkbox"/> INCH DRAWN BY & DATE S. BARBIERI 26-03-99 CHECKED BY & DATE S. SORATO 29-03-99 APPROVED BY & DATE R. MARTUCCI 29-03-99 CAD FILENAME 94509009.S09	DIMENSIONS: <input type="checkbox"/> mm <input type="checkbox"/> INCH <input checked="" type="checkbox"/> mm ONLY FIRST ANGLE PROJECTION TITLE: HOUSING PER TERM. A FORCELLA DIRITTO (SENZA PINS IN ACCIAIO) HOUSING FOR STRAIGHT FORK TERMINAL (WITHOUT STEEL PINS) MOLEX INCORPORATED MATERIAL NO. SEE TABLES DRAWING NO. SD-94509-009 SHEET NO. 10/10	SHT REV REVISE ON CAD ONLY
		B3	REV	THIS DRAWING CONTAINS INFORMATION THAT IS PROPRIETARY TO MOLEX INCORPORATED AND SHOULD NOT BE USED WITHOUT WRITTEN PERMISSION.	SIZE A3	