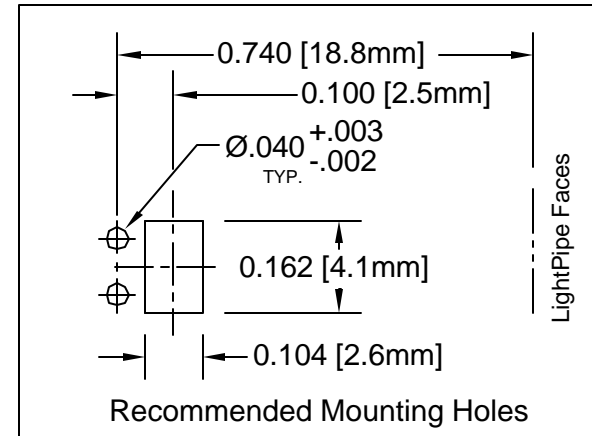
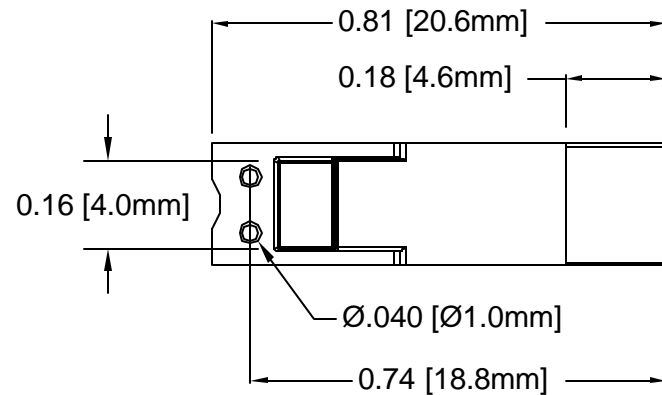
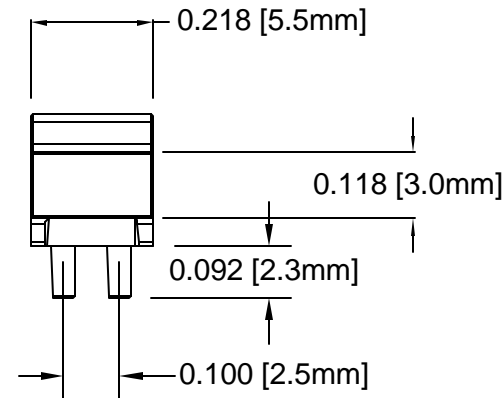
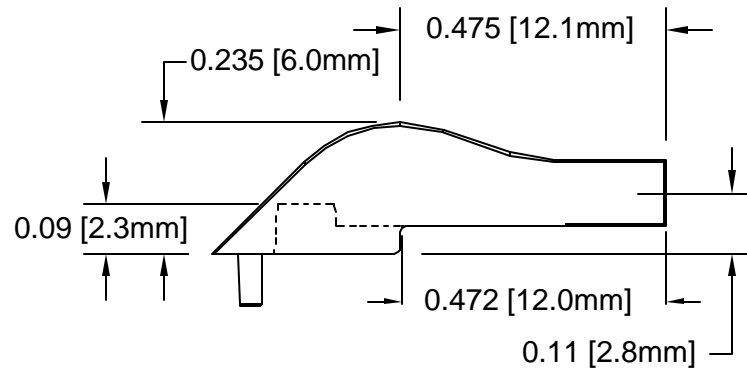

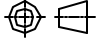


| REV. | DESCRIPTION | DATE | APPROVED |
|------|--------------------------------|----------|----------|
| E | Engineering Update w/o Changes | 03/09/04 | M. C. |
| | | | |
| | | | |
| | | | |



- MATERIAL: POLYCARBONATE, 94V-0, CLEAR. BIVAR MATERIAL CODE 47-CR.
SAM YANG CORPORATION POLYCARBONATE 3025N2 CLEAR.
- GENERAL SPECIFICATIONS: BIVAR MOLDED COMPONENT SPECIFICATION BV00-E101.

| STANDARD TOLERANCE (UNLESS OTHERWISE SPECIFIED) | |  4 THOMAS, IRVINE, CA. 92618 TEL: (949) 951-8808 FAX: (949) 951-3974 | |
|--|--------------------------|---|--|
| DECIMALS | ANGULAR | | |
| .X ±.1 | X° ± 1° |  | TITLE: LIGHT PIPE, 90° SURFACE MOUNT |
| .XX ±.01 | | | PART NO: SLP-2 |
| .XXX ±.005 | | | REVISION: E |
| DESIGNED: Michael Chen | DATE: 09/11/03 | CAGE CODE : 32559 | SHEET # 1 OF 1 |
| CHECKED: D. Green | DATE: 09/11/03 | CAD GENERATED DOCUMENT. DO NOT MEASURE DRAWING. | |