

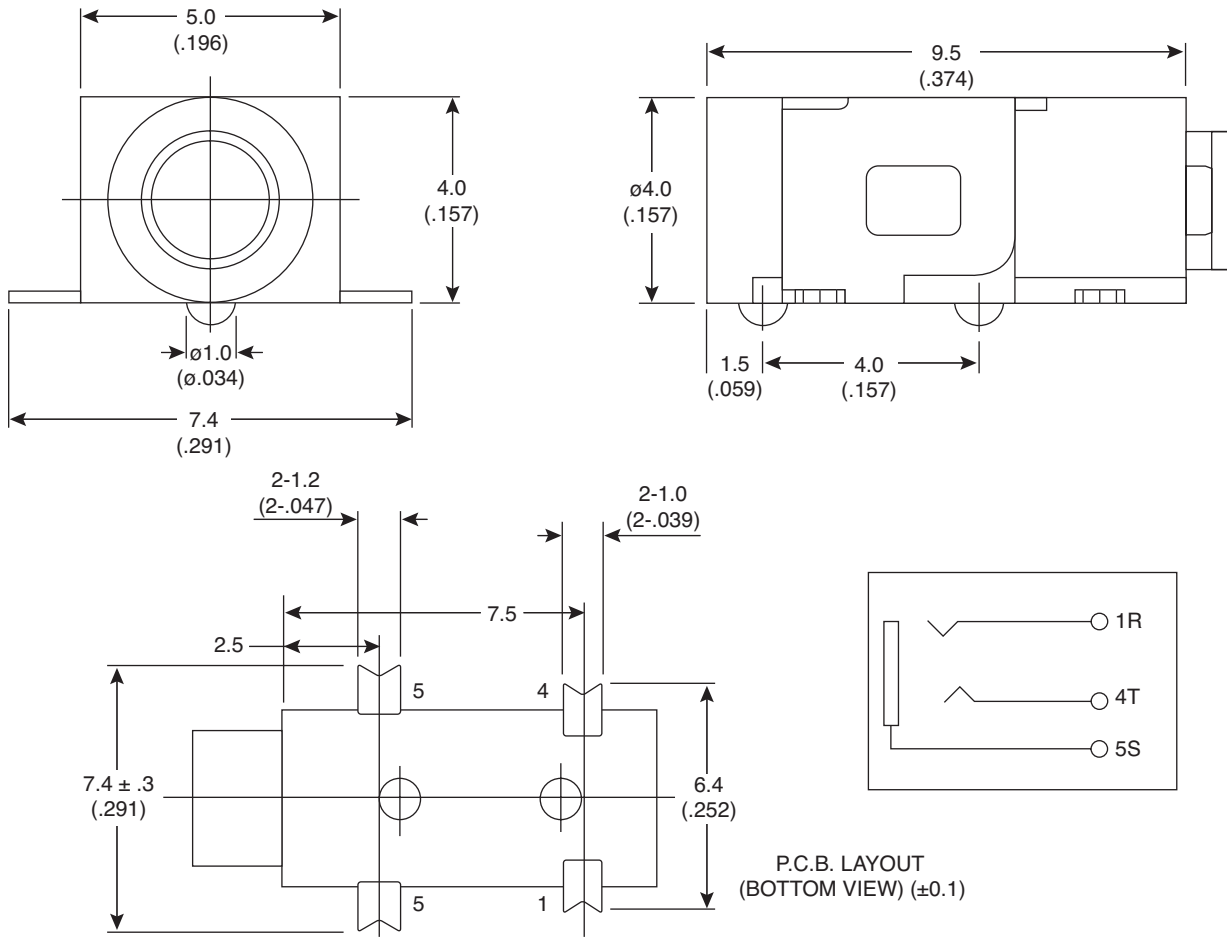
# SMD Phone Jack

161-2625



SMD Phone Jack

161-2625



Dimensions: mm (In.)

SPECIFICATIONS	
<b>Voltage rating:</b>	16 VDC
<b>Current Rating:</b>	0.3A
<b>Contact resistance:</b>	30m $\Omega$
<b>Insulation resistance:</b>	100M $\Omega$ , 500VDC
<b>Voltage rating:</b>	500VAC for 1 min.

MECHANICAL	
<b>Durability:</b>	5000 cycles
<b>Insertion force:</b>	3Kg to 2.0Kg
<b>Extraction force:</b>	2Kg to 2.0Kg
<b>Soldering temperature:</b>	260°C for 5 seconds
<b>Operating temperature:</b>	-25°C to +85°C

MATERIALS	
<b>Contacts:</b>	Phosphor bronze
<b>Housing:</b>	Nylon PA66, black

PLATING	
<b>Contacts:</b>	silver

Tolerance	
X.	$\pm 0.5$
X.X	$\pm 0.3$
X.XX	$\pm 0.15$

Date Last Revised: 4-21-06

Available from Mouser Electronics  
1-800-346-6873  
www.mouser.com

KC- 300407