



Ex 0.5% ACCURACY, HEAVY DUTY SENSOR, INTERNAL DIAPHRAGM **Ex** **CE**

- Internal diaphragm
- Full stainless steel wetted parts
- Sensing ranges from -1... 0 bar to 0... 4000 bar
- Ex certified to ATEX 100a
- 0.5% accuracy class

Type
E110

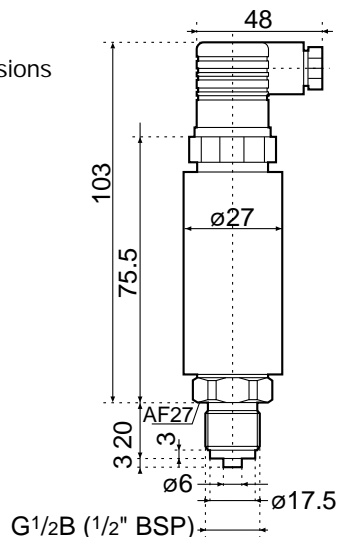
PART NUMBERS

Range (Bar)	E110
-1 to 0	016001
-0.6 to 0	015001
-0.4 to 0	014001
-0.25 to 0	013001
-0.16 to 0	012001
-0.1 to 0	011001
0 to 0.1	063001
0 to 0.16	064001
0 to 0.25	065001
0 to 0.4	066001
0 to 0.6	067001
0 to 1	069001
0 to 1.6	070001
0 to 2.5	072001
0 to 4	073001
0 to 6	074001
0 to 10	075001
0 to 16	076001
0 to 25	078001
0 to 40	079001
0 to 60	080001
0 to 100	081001
0 to 160	082001
0 to 250	084001
0 to 400	086001
0 to 600	087001
0 to 1000	088001
0 to 1600	089001
0 to 2500	090001
0 to 4000	091001

Please note that items in bold are available from stock

DIMENSIONS

Type
E110
All dimensions
in mm



TECHNICAL SPECIFICATION

Type	E110
Ex Explosion proof protection type	Ex ia 11C T6
Pressure type	Negative or positive gauge pressure
Output signal	4...20 mA, 2 wire system
Accuracy class	0.5% of full scale
Measuring ranges	-1... 0 Bar, to 0... 4000 Bar
Sensor element	≤ 16 bar - Piezoresistive, ≥ 25 bar - Thin film
Repeatability	≤ ±0.05% of full scale
Case	Stainless steel 1.4571
Wetted parts	Stainless steel 1.4541 & 1.4542
Thread connection	G $\frac{1}{2}$ B according to Din 16288 ($\frac{1}{2}$ " BSP)
≤1600 Bar	M16 x 1.5 female
>2500 Bar	
Overload limit	
≤16 Bar	3.5 x full scale value
≤600 Bar	2 x full scale value
1000 Bar	1.5 x full scale value
>1000 Bar	1.2 x full scale value
4000 Bar	1.1 x full scale value
Power supply	11... 28Vdc
Power consumption	Signal current
Load (Ω)	≤ Supply - 10V 0.020 A
Power restriction	1.75W
Temperature	
Compensation range	0... +60°C/T6
Influence on zero point and measuring range	≤0.2%/10K (≤0.4%/10K, for ranges <0.25 Bar)
Adjustability	Up to ±5% with potentiometers
Response time	≤1ms (within 10% to 90% of full scale)
Protection class	IP65 EN 60529/IEC 529
Electrical protection	Reverse polarity, overvoltage and short circuit
Temperature ranges	
Storage	-60... +105°C
Media	-20... +60°C
Ambient	-20... +60°C
Weight approx (Kg)	0.2

OPTIONS

- Other outputs (mA/Volts)
- Connection threads
- Absolute pressures
- 0.25% accuracy
- Flush diaphragm
- Cable Output IP 67