

Small Form Factor Pluggable Solder-Down Cage

PL-KP1-00-000-02



Key Features

- Compatible with all MSA compliant SFP transceivers and PWB layouts for single side applications
- Robust one piece design
- Press-fit version also available
- RoHS compliant and lead-free

Applications

- Switch and hub devices
- Mass storage systems interconnect
- Host adapter cards
- Enterprise switch interconnects

The unique one-piece, solder-down cage represents one of JDSU's complementary products to the Small Form Factor Pluggable (SFP) transceivers. Optimized for use with all transceiver products complying with the (SFP) multisource agreement (MSA), the solder-down cage features superior mechanical stability in standard manufacturing processes. Its hardened spring-tempered material, plus excellent material memory characteristics, further provide for consistent transceiver mate/demate performance that provides for port flexibility over the life of the system.

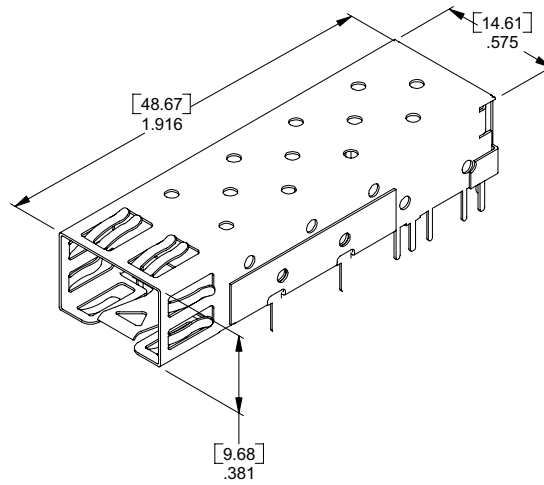
Highlights

- Industry's most robust and sturdy cage design optimized for all SFP applications, including Fibre Channel, Gigabit Ethernet, and SONET
- Supports all industry SFP transceivers, using MSA-compliant board layouts and hole sizes for single sided applications
- Extensive compatibility testing with industry-wide MSA-based modules for interoperability in multiple vendor implementation
- One piece design offers superior mechanical stability, simplifying implementation to customer PCBs
- Tested for common applications and standard industry processes to allow seamless integration into manufacturing without additional equipment or handling requirements
- Hardened spring tempered material along with excellent memory characteristics provide consistent mate and demate performance over life of equipment

2

PL-KP1-00-000-02 Features

- RoHS compliant and lead-free
- Supports MSA compliant board layout and hole sizes
- Interoperable with all MSA compliant transceivers
- Tested for insertion force and retention
- Robust manufacturing process
- Sturdy construction
- Hardened spring tempered alloy
- Excellent memory characteristics
- Utilizes common manufacturing solder processes
- FCC Class B compliant
- 360 degree EMI finger contacts



The PL-KP1-00-000-02 solder-down cage accommodates all MSA-compliant SFP transceivers, and is ideally suited for application on printed wiring board (PWB) with a minimum thickness of 0.062 inches.

Section 1 Functional Description

The solder-down cage is designed in compliance with the Small Form Factor Pluggable (SFP) Transceiver Multisource Agreement (MSA) See Figure 1. PL-KP1-00-000-02 may be used with the single-sided PWB layout.

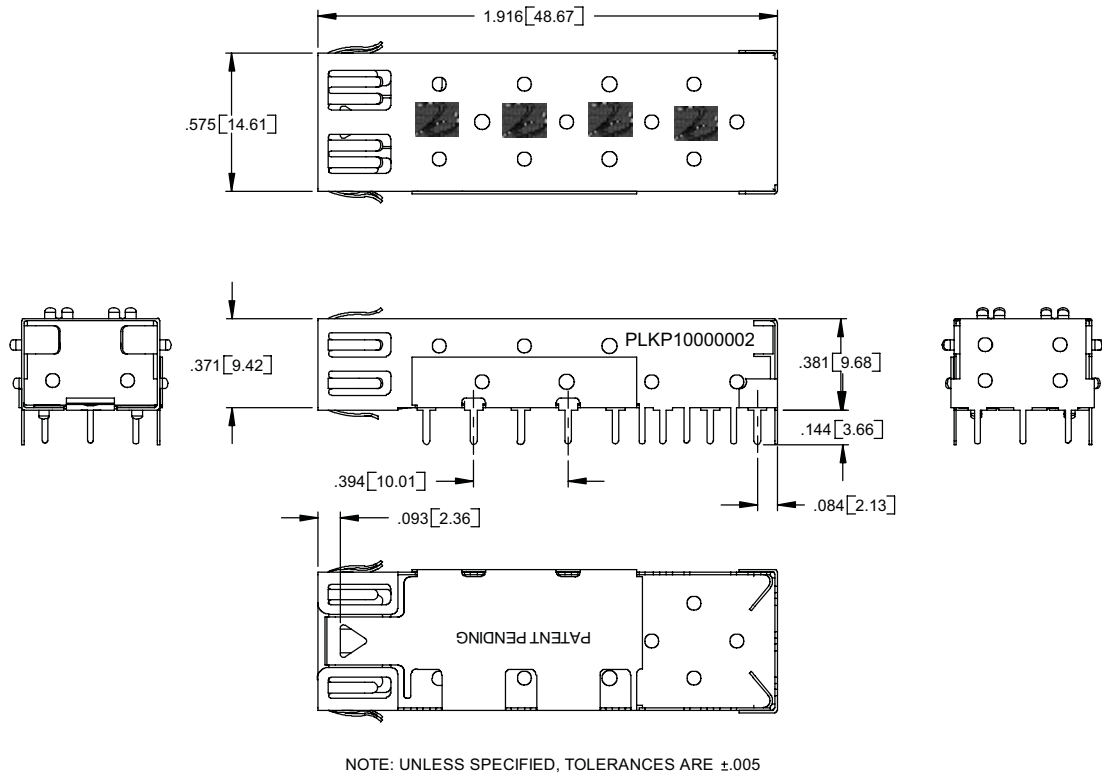


Figure 1 Solder-down cage mechanical drawing (PL-KP1-00-000-02)

Section 2 Recommended OEM PCB Layouts

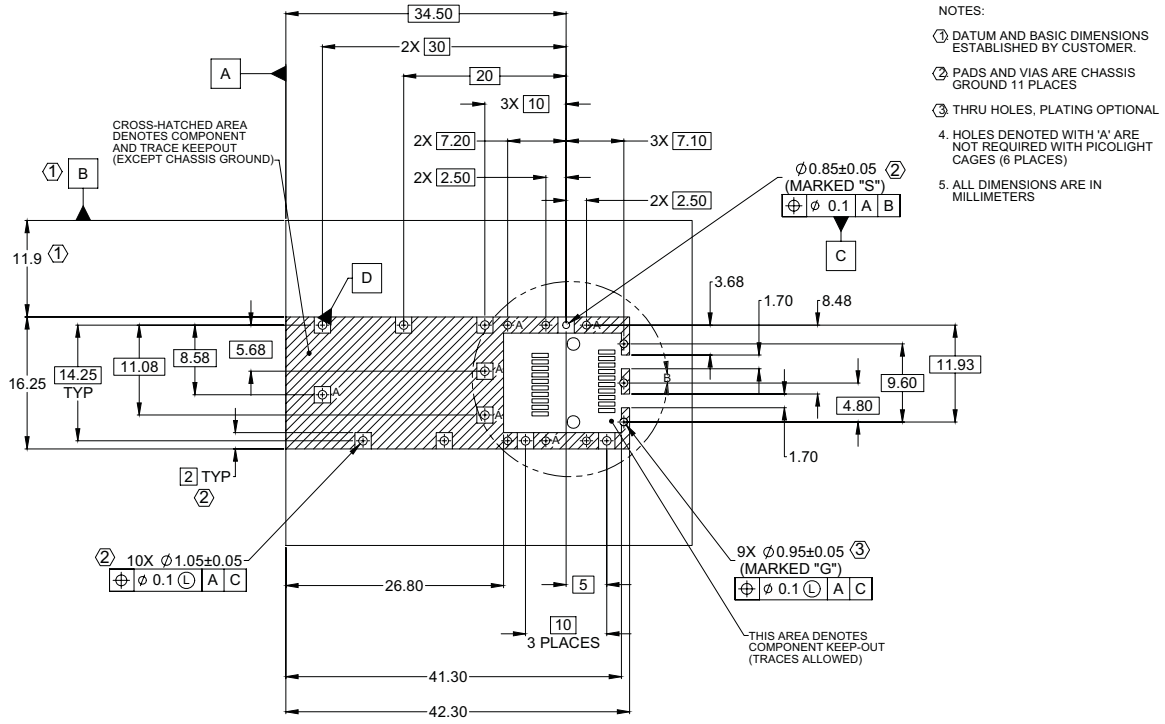
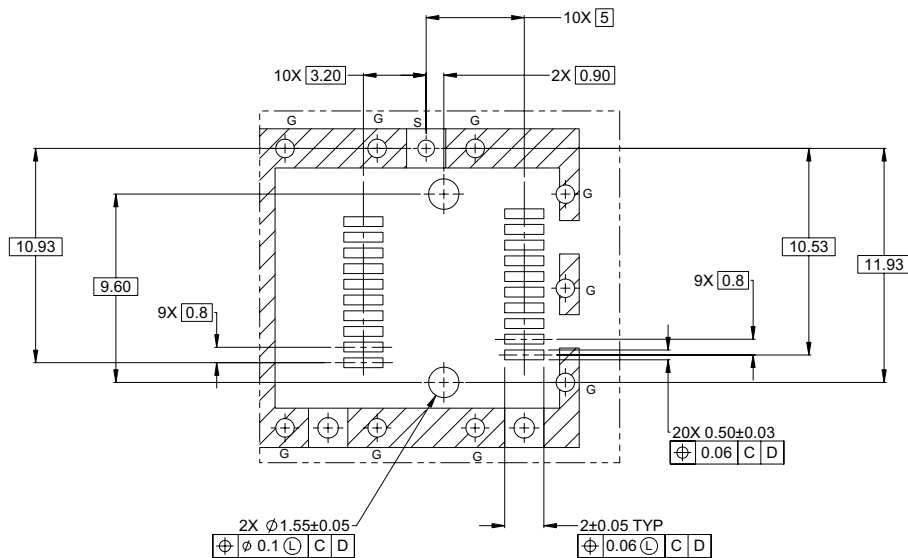


Figure 2 Board layout



ALL DIMENSIONS ARE IN MILLIMETERS

Figure 3 Detail layout

Section 3 Package and Handling Instructions

The PL-KP1-00-000-02 cages are packaged in card board boxes. Each box has 10 layers of 35 cages in plastic trays. There are 350 cages per box.

Flammability

The PL-KP1-00-000-02 solder-down cage and EMI cage plug are made from C77000 sheet metal.

Order Information

For more information on this or other products and their availability, please contact your local JDSU account manager or JDSU directly at 1-800-498-JDSU (5378) in North America and +800-5378-JDSU worldwide or via e-mail at customer.service@jdsu.com.

Sample: PL-KP1-00-000-02

Part Number	Description
PL-KP1-00-000-02	Solder-down cage