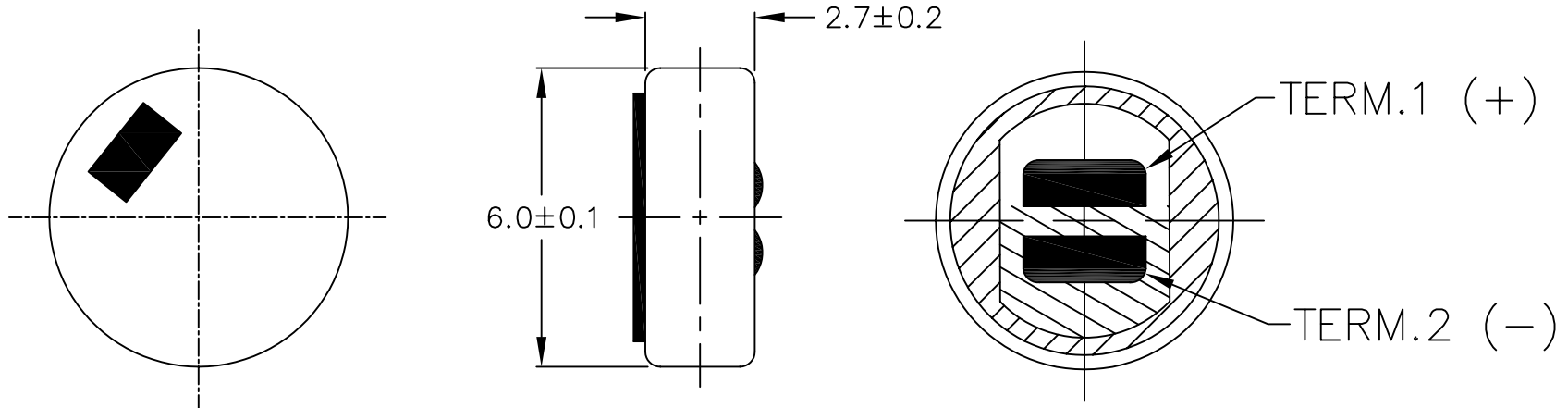


THIS DOCUMENT CONTAINS DATA PROPRIETARY TO PROJECTS UNLIMITED, INC. ANY USE OR REPRODUCTION, IN ANY FORM, WITHOUT PRIOR WRITTEN PERMISSION OF PROJECTS UNLIMITED, INC. IS PROHIBITED.  
 © 2005, Projects Unlimited Inc.

SPECIFICATIONS

PARAMETERS	VALUES	UNITS
DIRECTIVITY	OMNI	-
SENSITIVITY	-40±3	dB
STANDARD OPERATING VOLTAGE	2.0	Vdc
MAX OPERATING VOLTAGE	10	Vdc
CURRENT CONSUMPTION (MAX)	0.5	mA
IMPEDANCE	2.2	kOhm
SIGNAL TO NOISE RATIO (MIN.)	60	dB
TERMINAL	SOLDER PADS	-
INTERNAL CAPACITOR	33	pF


REVISIONS			
LTR	DESCRIPTION	DATE	APPROVED
-	RELEASED FROM ENGINEERING	3/23/06	



NOTES:

1. ALL DIMENSIONS ARE IN MILLIMETERS.
2. SPECIFICATION SUBJECT TO CHANGE OR WITHDRAWAL WITHOUT NOTICE.
3. THIS PART IS RoHS 2002/95/EC COMPLIANT.
4. MICROPHONE CLOTH OVER FACE IS IP51 RATED.

FILE NAME  
 POM-2740L-C33-R.DWG

UNLESS OTHERWISE SPECIFIED: DIMENSIONS ARE IN MILLIMETERS, TOLERANCES ARE $\pm 0.5$ AND ANGLES ARE $\pm 3^\circ$ .		 <b>projects® unlimited</b> Dayton, Ohio									
<table border="1"> <tr> <th>APPROVALS</th> <th>DATE</th> </tr> <tr> <td>DRAWN <i>TG</i></td> <td>3/06</td> </tr> <tr> <td>APPROVED <i>BR</i></td> <td>3/06</td> </tr> <tr> <td>APPROVED <i>EP</i></td> <td>3/06</td> </tr> </table>		APPROVALS	DATE	DRAWN <i>TG</i>	3/06	APPROVED <i>BR</i>	3/06	APPROVED <i>EP</i>	3/06	ELECTRET CONDENSER MICROPHONE	
APPROVALS	DATE										
DRAWN <i>TG</i>	3/06										
APPROVED <i>BR</i>	3/06										
APPROVED <i>EP</i>	3/06										
SIZE A	DRAWING NO. POM-2740L-C33-R										
DO NOT SCALE DRAWING		SCALE: N.T.S.	SHEET 1 OF 1								