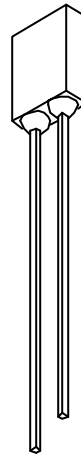
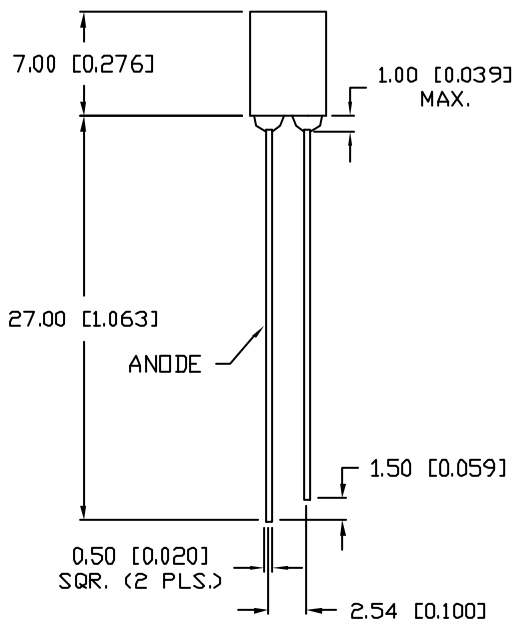
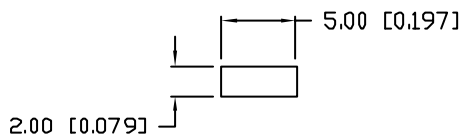


UNCONTROLLED DOCUMENT

PA
SSL-L

REV.	E.C.N. NUMBER
A	#10BRDR.



ELECTRO-OPTICAL CHARACTERISTICS	
PARAMETER	MIN
PEAK WAVELENGTH	
FORWARD VOLTAGE	
REVERSE VOLTAGE	4.0
AXIAL INTENSITY	
VIEWING ANGLE	
EMITTED COLOR:	RED
EPOXY LENS FINISH:	RED DIFFU

LIMITS OF SAFE OPERATION AT 25°C	
PARAMETER	
PEAK FORWARD CURRENT*	
STEADY CURRENT	
POWER DISSIPATION	
DERATE FROM 25°C	
OPERATING, STORAGE TEMP.	
SOLDERING TEMP.	
2.0mm FROM BODY	
* t<10μs	

*UNLESS OTHERWISE SPECIFIED TOLERANCES PER DECIMAL PRECISION ARE: X=±1 (±0.039), X.X=±0.5 (±0.020), X.XX=±0.25 (±0.010), X.XXX=±0.127 (±0.005), LEAD SIZE=±0.05 (±0.002), LEAD LENGTH=±0.1

UNCONT

REV. A	PART NUMBER SSL-LX2573SRD
2mm x 5mm RECTANGULAR, 660nm SUPER RED LED, RED DIFFUSED LENS.	

CONFIDENTIAL INFORMATION
THE INFORMATION CONTAINED IN THIS DOCUMENT IS THE PROPERTY OF LUMEX INC. EXCEPT AS SPECIFICALLY AUTHORIZED IN WRITING BY LUMEX INC., THE HOLDER OF THIS DOCUMENT SHALL KEEP ALL INFORMATION CONTAINED HEREIN CONFIDENTIAL AND SHALL PROTECT SAME IN WHOLE OR IN PART FROM DISCLOSURE AND DISSEMINATION TO ALL THIRD PARTIES.

RELIABILITY NOTE
OUR MANY YEARS OF EXPERIENCE DATA ACCUMULATION INDICATE THAT SOLDER HEAT IS A MAJOR CAUSE OF EARLY AND FUTURE FAILURE. PLEASE PAY ATTENTION TO YOUR SOLDERING PROCESS.

DRAWN BY: BC	CHECKED BY:
-----------------	-------------