
Document Title**128Kx32-Bit Synchronous Pipelined Burst SRAM****Revision History**

<u>Rev.No.</u>	<u>History</u>	<u>Draft</u>	<u>Date</u>	<u>Remark</u>
1.0	Initial draft		May . 19. 1998	Final
2.0	change tcyc from 8.5ns to 10.0ns. Modify Rev No. from 0.0 to 1.0.		June . 02. 1998	Final
3.0	Modify DC characteristics(Input Leakage Current test Conditions) form $V_{DD}=V_{SS}$ to V_{DD} to Max.		June. 08. 1998	Final

The attached data sheets are prepared and approved by SAMSUNG Electronics. SAMSUNG Electronics CO., LTD. reserve the right to change the specifications. SAMSUNG Electronics will evaluate and reply to your requests and questions on the parameters of this device. If you have any questions, please contact the SAMSUNG branch office near your office, call or contact Headquarters.

128Kx32-Bit Synchronous Pipelined Burst SRAM

FEATURES

- Synchronous Operation.
- 2 Stage Pipelined operation with 4 Burst.
- On-Chip Address Counter.
- Self-Timed Write Cycle.
- On-Chip Address and Control Registers.
- $V_{DD} = 3.3V + 0.3V / -0.165V$ Power Supply.
- 5V Tolerant Inputs Except I/O Pins.
- Byte Writable Function.
- Global Write Enable Controls a full bus-width write.
- Power Down State via ZZ Signal.
- LBO Pin allows a choice of either a interleaved burst or a linear burst.
- Three Chip Enables for simple depth expansion with No Data Contention ; 2cycle Enable, 1cycle Disable.
- Asynchronous Output Enable Control.
- ADSP, ADSC, ADV Burst Control Pins.
- TTL-Level Three-State Output.
- 100-TQFP-1420A / 119BGA(7x17 Ball Grid Array Package)

GENERAL DESCRIPTION

The KM732V789 is a 4,194,304-bit Synchronous Static Random Access Memory designed for high performance second level cache of Pentium and Power PC based System.

It is organized as 128K words of 32bits and integrates address and control registers, a 2-bit burst address counter and added some new functions for high performance cache RAM applications; \overline{GW} , \overline{BW} , \overline{LBO} , ZZ. Write cycles are internally self-timed and synchronous.

Full bus-width write is done by \overline{GW} , and each byte write is performed by the combination of \overline{WEx} and \overline{BW} when \overline{GW} is high. And with $\overline{CS1}$ high, \overline{ADSP} is blocked to control signals.

Burst cycle can be initiated with either the address status processor(\overline{ADSP}) or address status cache controller(\overline{ADSC}) inputs. Subsequent burst addresses are generated internally in the system's burst sequence and are controlled by the burst address advance(\overline{ADV}) input.

\overline{LBO} pin is DC operated and determines burst sequence(linear or interleaved).

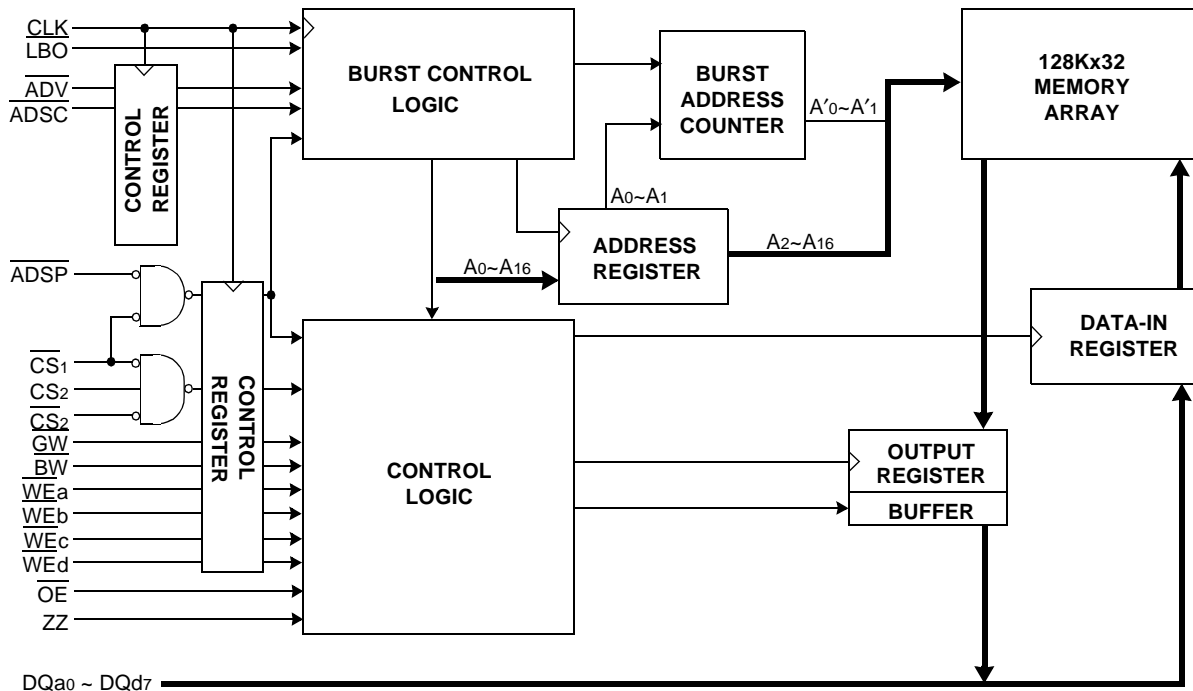
ZZ pin controls Power Down State and reduces Stand-by current regardless of CLK.

The KM732V789 is fabricated using SAMSUNG's high performance CMOS technology and is available in a 100pin TQFP and 119BGA package. Multiple power and ground pins are utilized to minimize ground bounce.

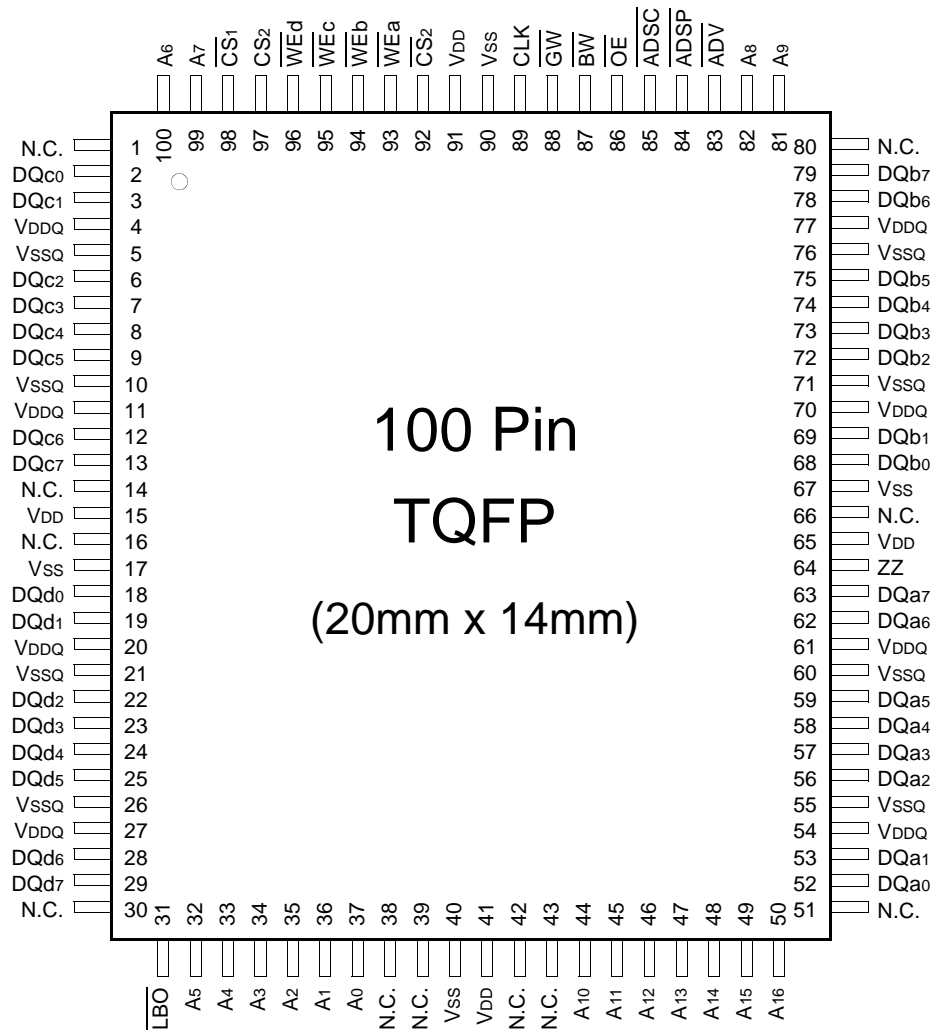
FAST ACCESS TIMES

Parameter	Symbol	60	67	72	10	Unit
Cycle Time	tcyc	6.0	6.7	7.2	10	ns
Clock Access Time	tcd	3.5	3.8	4.0	4.5	ns
Output Enable Access Time	toe	3.5	3.8	4.0	4.5	ns

LOGIC BLOCK DIAGRAM



PIN CONFIGURATION(TOP VIEW)



PIN NAME

SYMBOL	PIN NAME	TQFP PIN NO.	SYMBOL	PIN NAME	TQFP PIN NO.
A0 - A16	Address Inputs	32,33,34,35,36,37, 44,45,46,47,48,49, 50,81,82,99,100	VDD	Power Supply(+3.3V)	15,41,65,91
<u>ADV</u>	Burst Address Advance	83	VSS	Ground	17,40,67,90
<u>ADSP</u>	Address Status Processor	84	N.C.	No Connect	1,14,16,30,38,39,42,43 51,66,80
<u>ADSC</u>	Address Status Controller	85	DQa0~a7	Data Inputs/Outputs	52,53,56,57,58,59,62,63
<u>CLK</u>	Clock	89	DQb0~b7		68,69,72,73,74,75,78,79
<u>CS1</u>	Chip Select	98	DQc0~c7		2,3,6,7,8,9,12,13
<u>CS2</u>	Chip Select	97	DQd0~d7		18,19,22,23,24,25,28,29
<u>CS2</u>	Chip Select	92	VDDQ	Output Power Supply (+3.3V)	4,11,20,27,54,61,70,77
<u>WEx(x=a,b,c,d)</u>	Byte Write Inputs	93,94,95,96	VSSQ	Output Ground	5,10,21,26,55,60,71,76
<u>OE</u>	Output Enable	86			
<u>GW</u>	Global Write Enable	88			
<u>BW</u>	Byte Write Enable	87			
<u>ZZ</u>	Power Down Input	64			
<u>LBO</u>	Burst Mode Control	31			

119BGA PACKAGE PIN CONFIGURATIONS(TOP VIEW)

KM732V789(128Kx32)

	1	2	3	4	5	6	7
A	VDDQ	A13	A10	$\overline{\text{ADSP}}$	A7	A4	VDDQ
B	NC	CS2	A9	$\overline{\text{ADSC}}$	A8	$\overline{\text{CS2}}$	NC
C	NC	A12	A11	VDD	A6	A5	NC
D	DQC7	NC	VSS	NC	VSS	NC	DQb7
E	DQC5	DQC6	VSS	$\overline{\text{CS1}}$	VSS	DQb6	DQb5
F	VDDQ	DQC4	VSS	$\overline{\text{OE}}$	VSS	DQb4	VDDQ
G	DQC2	DQC3	$\overline{\text{WEc}}$	$\overline{\text{ADV}}$	$\overline{\text{WEb}}$	DQb3	DQb2
H	DQC0	DQC1	VSS	$\overline{\text{GW}}$	VSS	DQb1	DQb0
J	VDDQ	VDD	NC	VDD	NC	VDD	VDDQ
K	DQd0	DQd1	VSS	CLK	VSS	DQa1	DQa0
L	DQd2	DQd3	$\overline{\text{WEd}}$	NC	$\overline{\text{WEa}}$	DQa3	DQa2
M	VDDQ	DQd4	VSS	$\overline{\text{BW}}$	VSS	DQa4	VDDQ
N	DQd5	DQd6	VSS	A1	VSS	DQa6	DQa5
P	DQd7	NC	VSS	A0	VSS	NC	DQa7
R	NC	A15	$\overline{\text{LBO}}$	VDD	NC	A2	NC
T	NC	NC	A14	A16	A3	NC	ZZ
U	VDDQ	NC	NC	NC	NC	NC	VDDQ

PIN NAME

SYMBOL	PIN NAME	BGA PIN NO.	SYMBOL	PIN NAME	BGA PIN NO.
A0 - A16	Address Inputs	4P,4N,6R,5T,6A,6C 5C,5A,5B,3B,3A,3C 2C,2A,3T,2R,4T	VDD	Power Supply(+3.3V)	4C,2J,4J,6J,4R
			VSS	Ground	3D,5D,3E,5E,3F,5F,3H,5H 3K,5K,3M,5M,3N,5N,3P,5P
$\overline{\text{ADV}}$	Burst Address Advance	4G	N.C.	No Connect	1B,7B,1C,7C,4D,3J,5J,4L 1R,5R,7R,1T,2T,6T,2U,3U 4U,5U,6U,6P,6D,2D,2P
$\overline{\text{ADSP}}$	Address Status Processor	4A			7K,6K,7L,6L,6M,6N,7N,7P
$\overline{\text{ADSC}}$	Address Status Controller	4B			1H,2H,1G,2G,2F,1E,2E,1D
$\overline{\text{CLK}}$	Clock	4K	DQa0~a7	Data Inputs/Outputs	1K,2K,1L,2L,2M,1N,2N,1P
$\overline{\text{CS1}}$	Chip Select	4E	DQb0~b7		1A,7A,1F,7F,1J,7J,1M,7M
$\overline{\text{CS2}}$	Chip Select	2B	DQC0~c7		1U,7 U
$\overline{\text{CS2}}$	Chip Select	6B	DQd0~d7		
$\overline{\text{WEx}}$ (x=a,b,c,d)	Byte Write Inputs	5L,5G,3G,3L	VDDQ	Output Power Supply (+3.3V)	
$\overline{\text{OE}}$	Output Enable	4F			
$\overline{\text{GW}}$	Global Write Enable	4H			
$\overline{\text{BW}}$	Byte Write Enable	4M			
$\overline{\text{ZZ}}$	Power Down Input	7T			
$\overline{\text{LBO}}$	Burst Mode Control	3R			

FUNCTION DESCRIPTION

The KM732V789 is a synchronous SRAM designed to support the burst address accessing sequence of the P6 and Power PC based microprocessor. All inputs (with the exception of \overline{OE} , \overline{LBO} and \overline{ZZ}) are sampled on rising clock edges. The start and duration of the burst access is controlled by \overline{ADSC} , \overline{ADSP} and \overline{ADV} and chip select pins.

The accesses are enabled with the chip select signals and output enabled signals. Wait states are inserted into the access with \overline{ADV} .

When \overline{ZZ} is pulled high, the SRAM will enter a Power Down State. At this time, internal state of the SRAM is preserved. When \overline{ZZ} returns to low, the SRAM normally operates after 2cycles of wake up time. \overline{ZZ} pin is pulled down internally.

Read cycles are initiated with \overline{ADSP} (regardless of \overline{WEx} and \overline{ADSC})using the new external address clocked into the on-chip address register whenever \overline{ADSP} is sampled low, the chip selects are sampled active, and the output buffer is enabled with \overline{OE} . In read operation the data of cell array accessed by the current address, registered in the Data-out registers by the positive edge of \overline{CLK} , are carried to the Data-out buffer by the next positive edge of \overline{CLK} . The data, registered in the Data-out buffer, are projected to the output pins. \overline{ADV} is ignored on the clock edge that samples \overline{ADSP} asserted, but is sampled on the subsequent clock edges. The address increases internally for the next access of the burst when \overline{WEx} are sampled High and \overline{ADV} is sampled low. And \overline{ADSP} is blocked to control signals by disabling $\overline{CS1}$.

All byte write is done by \overline{GW} (regardless of \overline{BW} and \overline{WEx}), and each byte write is performed by the combination of \overline{BW} and \overline{WEx} when \overline{GW} is high.

Write cycles are performed by disabling the output buffers with \overline{OE} and asserting \overline{WEx} . \overline{WEx} are ignored on the clock edge that samples \overline{ADSP} low, but are sampled on the subsequent clock edges. The output buffers are disabled when \overline{WEx} are sampled Low(regardless of \overline{OE}). Data is clocked into the data input register when \overline{WEx} sampled Low. The address increases internally to the next address of burst, if both \overline{WEx} and \overline{ADV} are sampled Low. Individual byte write cycles are performed by any one or more byte write enable signals(\overline{WEa} , \overline{WEb} , \overline{WEc} or \overline{WEd}) sampled low. The \overline{WEa} control $\overline{DQa0} \sim \overline{DQa7}$, \overline{WEb} controls $\overline{DQb0} \sim \overline{DQb7}$, \overline{WEc} controls $\overline{DQc0} \sim \overline{DQc7}$, and \overline{WEd} control $\overline{DQd0} \sim \overline{DQd7}$. Read or write cycle may also be initiated with \overline{ADSC} , instead of \overline{ADSP} . The differences between cycles initiated with \overline{ADSC} and \overline{ADSP} as are follows;

\overline{ADSP} must be sampled high when \overline{ADSC} is sampled low to initiate a cycle with \overline{ADSC} .
 \overline{WEx} are sampled on the same clock edge that sampled \overline{ADSC} low(and \overline{ADSP} high).

Addresses are generated for the burst access as shown below, The starting point of the burst sequence is provided by the external address. The burst address counter wraps around to its initial state upon completion. The burst sequence is determined by the state of the \overline{LBO} pin. When this pin is Low, linear burst sequence is selected. When this pin is High, Interleaved burst sequence is selected.

BURST SEQUENCE TABLE

(Interleaved Burst)

\overline{LBO} PIN	HIGH	Case 1		Case 2		Case 3		Case 4	
		A1	A0	A1	A0	A1	A0	A1	A0
	First Address	0	0	0	1	1	0	1	1
	↓	0	1	0	0	1	1	1	0
	↓	1	0	1	1	0	0	0	1
	Fourth Address	1	1	1	0	0	1	0	0

(Linear Burst)

\overline{LBO} PIN	LOW	Case 1		Case 2		Case 3		Case 4	
		A1	A0	A1	A0	A1	A0	A1	A0
	First Address	0	0	0	1	1	0	1	1
	↓	0	1	1	0	1	1	0	0
	↓	1	0	1	1	0	0	0	1
	Fourth Address	1	1	0	0	0	1	1	0

NOTE : 1. \overline{LBO} pin must be tied to High or Low, and Floating State must not be allowed.

TRUTH TABLES

SYNCHRONOUS TRUTH TABLE

CS ₁	CS ₂	CS ₂	ADSP	ADSC	ADV	WRITE	CLK	Address Accessed	Operation
H	X	X	X	L	X	X	↑	N/A	Not Selected
L	L	X	L	X	X	X	↑	N/A	Not Selected
L	X	H	L	X	X	X	↑	N/A	Not Selected
L	L	X	X	L	X	X	↑	N/A	Not Selected
L	X	H	X	L	X	X	↑	N/A	Not Selected
L	H	L	L	X	X	X	↑	External Address	Begin Burst Read Cycle
L	H	L	H	L	X	L	↑	External Address	Begin Burst Write Cycle
L	H	L	H	L	X	H	↑	External Address	Begin Burst Read Cycle
X	X	X	H	H	L	H	↑	Next Address	Continue Burst Read Cycle
H	X	X	X	H	L	H	↑	Next Address	Continue Burst Read Cycle
X	X	X	H	H	L	L	↑	Next Address	Continue Burst Write Cycle
H	X	X	X	H	L	L	↑	Next Address	Continue Burst Write Cycle
X	X	X	H	H	H	H	↑	Current Address	Suspend Burst Read Cycle
H	X	X	X	H	H	H	↑	Current Address	Suspend Burst Read Cycle
X	X	X	H	H	H	L	↑	Current Address	Suspend Burst Write Cycle
H	X	X	X	H	H	L	↑	Current Address	Suspend Burst Write Cycle

- NOTE : 1. X means "Don't Care". 2. The rising edge of clock is symbolized by ↑.
 3. WRITE = L means Write operation in WRITE TRUTH TABLE.
 WRITE = H means Read operation in WRITE TRUTH TABLE.
 4. Operation finally depends on status of asynchronous input pins(ZZ and OE).

WRITE TRUTH TABLE

GW	BW	WEa	WEb	WEc	WEd	Operation
H	H	X	X	X	X	READ
H	L	H	H	H	H	READ
H	L	L	H	H	H	WRITE BYTE a
H	L	H	L	H	H	WRITE BYTE b
H	L	H	H	L	L	WRITE BYTE c and d
H	L	L	L	L	L	WRITE ALL BYTES
L	X	X	X	X	X	WRITE ALL BYTES

- NOTE : 1. X means "Don't Care".
 2. All inputs in this table must meet setup and hold time around the rising edge of CLK(↑).

ASYNCHRONOUS TRUTH TABLE

(See Notes 1 and 2):

Operation	ZZ	OE	I/O Status
Sleep Mode	H	X	High-Z
Read	L	L	DQ
	L	H	High-Z
Write	L	X	Din, High-Z
Deselected	L	X	High-Z

NOTE

1. X means "Don't Care".
 2. ZZ pin is pulled down internally
 3. For write cycles that following read cycles, the output buffers must be disabled with OE, otherwise data bus contention will occur.
 4. Sleep Mode means power down state of which stand-by current does not depend on cycle time.
 5. Deselected means power down state of which stand-by current depends on cycle time.

PASS-THROUGH TRUTH TABLE

Previous Cycle		Present Cycle				Next Cycle
Operation	WRITE	Operation	CS ₁	WRITE	OE	
Write Cycle, All bytes Address=An-1, Data=Dn-1	All L	Initiate Read Cycle Address=An Data=Qn-1 for all bytes	L	H	L	Read Cycle Data=Qn
Write Cycle, All bytes Address=An-1, Data=Dn-1	All L	No new cycle Data=Qn-1 for all bytes	H	H	L	No carryover from previous cycle
Write Cycle, All bytes Address=An-1, Data=Dn-1	All L	No new cycle Data=High-Z	H	H	H	No carryover from previous cycle
Write Cycle, One byte Address=An-1, Data=Dn-1	One L	Initiate Read Cycle Address=An Data=Qn-1 for one byte	L	H	L	Read Cycle Data=Qn
Write Cycle, One byte Address=An-1, Data=Dn-1	One L	No new cycle Data=Qn-1 for one byte	H	H	L	No carryover from previous cycle

NOTE : 1. This operation makes written data immediately available at output during a read cycle preceded by a write cycle.

ABSOLUTE MAXIMUM RATINGS*

Parameter	Symbol	Rating	Unit
Voltage on VDD Supply Relative to VSS	VDD	-0.3 to 4.6	V
Voltage on VDDQ Supply Relative to VSS	VDDQ	VDD	V
Voltage on Input Pin Relative to VSS	VIN	-0.3 to 6.0	V
Voltage on I/O Pin Relative to VSS	VIO	-0.3 to VDDQ+0.5	V
Power Dissipation	PD	1.6	W
Storage Temperature	TSTG	-65 to 150	°C
Operating Temperature	TOPR	0 to 70	°C
Storage Temperature Range Under Bias	TBIAS	-10 to 85	°C

*NOTE : Stresses greater than those listed under "Absolute Maximum Ratings" may cause permanent damage to the device. This is a stress rating only and functional operation of the device at these or any other conditions above those indicated in the operating sections of this specification is not implied. Exposure to absolute maximum rating conditions for extended periods may affect reliability.

OPERATING CONDITIONS(0°C ≤ TA ≤ 70°C)

Parameter	Symbol	Min	Typ.	Max	Unit
Supply Voltage	VDD	3.135	3.3	3.6	V
	VDDQ	3.135	3.3	3.6	V
Ground	VSS	0	0	0	V

CAPACITANCE*(TA=25°C, f=1MHz)

Parameter	Symbol	Test Condition	Min	Max	Unit
Input Capacitance	CIN	VIN=0V	-	5	pF
Output Capacitance	COUT	VOUT=0V	-	7	pF

*NOTE : Sampled not 100% tested.

DC ELECTRICAL CHARACTERISTICS($T_A=0$ to 70°C , $V_{DD}=3.3\text{V}+0.3\text{V}/-0.165\text{V}$)

Parameter	Symbol	Test Conditions	Min	Max	Unit	
Input Leakage Current(except ZZ)	IIL	$V_{DD} = \text{Max}$; $V_{IN}=V_{SS}$ to V_{DD}	-2	+2	μA	
Output Leakage Current	IOL	Output Disabled, $V_{OUT}=V_{SS}$ to V_{DDQ}	-2	+2	μA	
Operating Current	ICC	Device Selected, $I_{OUT}=0\text{mA}$, $ZZ \leq V_{IL}$, All Inputs= V_{IL} or V_{IH} Cycle Time $\geq t_{CYC}$ Min	-60	-	425	mA
			-67	-	400	
			-72	-	375	
			-10	-	300	
Standby Current	ISB	Device deselected, $I_{OUT}=0\text{mA}$, $ZZ \leq V_{IL}$, $f=\text{Max}$, All Inputs $\leq 0.2\text{V}$ or $\geq V_{DD}-0.2\text{V}$	-60	-	130	mA
			-67	-	120	
			-72	-	110	
			-10	-	90	
	ISB1	Device deselected, $I_{OUT}=0\text{mA}$, $ZZ \leq 0.2\text{V}$, $f = 0$, All Inputs=fixed ($V_{DD}-0.2\text{V}$ or 0.2V)	-	30	mA	
	ISB2	Device deselected, $I_{OUT}=0\text{mA}$, $ZZ \geq V_{DD}-0.2\text{V}$, $f=\text{Max}$, All Inputs $\leq V_{IL}$ or $\geq V_{IH}$	-	30	mA	
Output Low Voltage	VOL	$I_{OL}=8.0\text{mA}$	-	0.4	V	
Output High Voltage	VOH	$I_{OH}=-4.0\text{mA}$	2.4	-	V	
Input Low Voltage	VIL		-0.5*	0.8	V	
Input High Voltage	VIH		2.0	$V_{DD}+0.5^{**}$	V	

* $V_{IL}(\text{Min})=-2.0$ (Pulse Width $\leq t_{CYC}/2$)

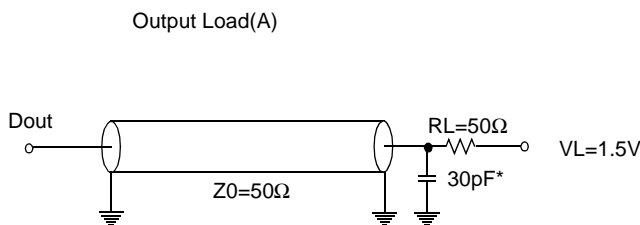
** $V_{IH}(\text{Max})=4.6$ (Pulse Width $\leq t_{CYC}/2$)

** In Case of I/O Pins, the Max. $V_{IH}=V_{DDQ}+0.5\text{V}$

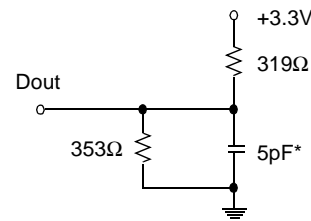
TEST CONDITIONS

($T_A=0$ to 70°C , $V_{DD}=3.3\text{V}+0.3\text{V}/-0.165\text{V}$, unless otherwise specified)

Parameter	Value
Input Pulse Level	0 to 3V
Input Rise and Fall Time(Measured at 0.3V and 2.7V)	2ns
Input and Output Timing Reference Levels	1.5V
Output Load	See Fig. 1



Output Load(B),(3.3V I/O)
(for tLZC, tLZOE, tHZOE & tHZC)



* Capacitive Load consists of all components of the test environment.

* Including Scope and Jig Capacitance

Fig. 1

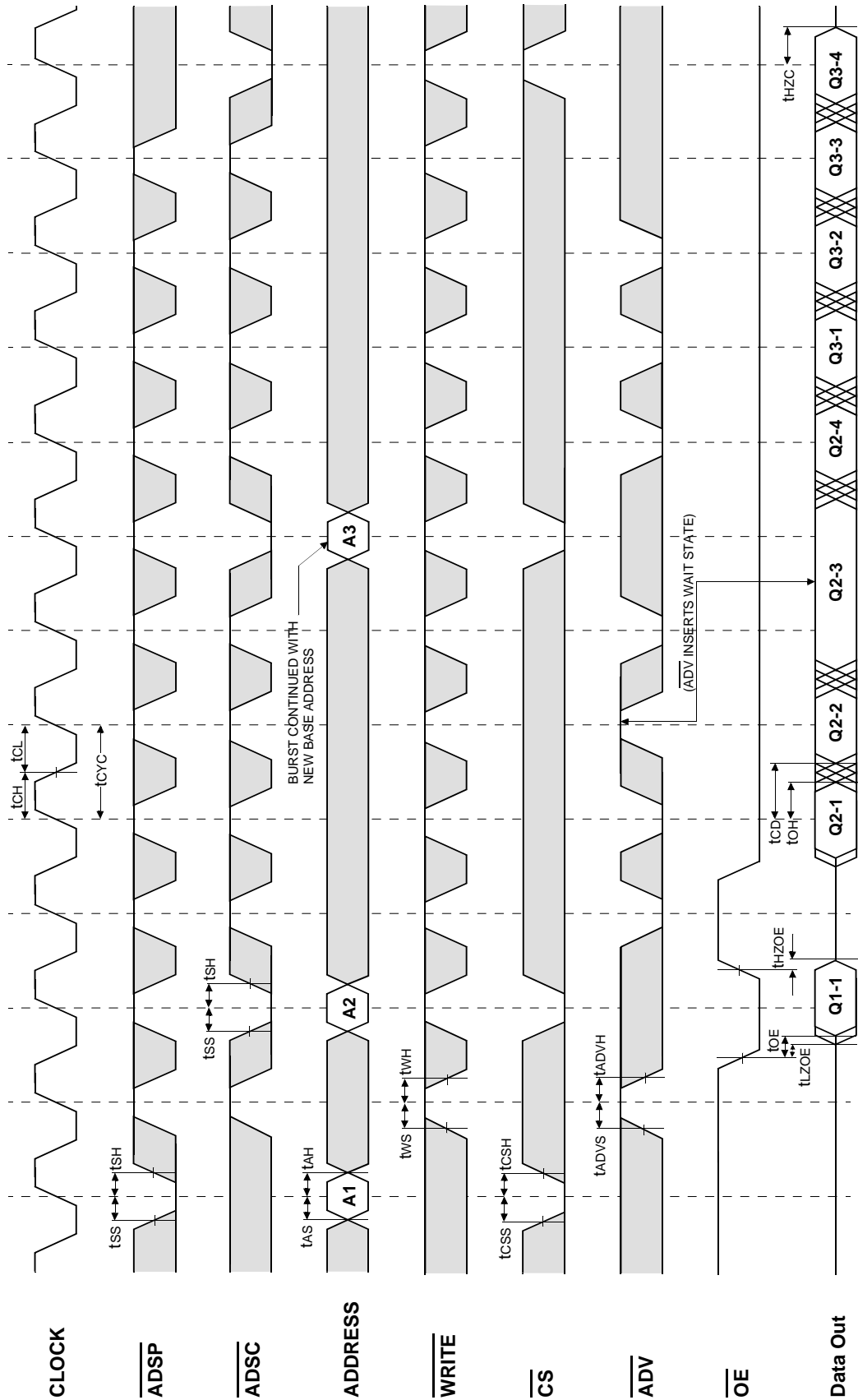
AC TIMING CHARACTERISTICS

(V_{DD}=3.3V+0.3V/-0.165V, T_A=0 to 70°C)

Parameter	Symbol	-60		-67		-72		-10		Unit
		Min	Max	Min	Max	Min	Max	Min	Max	
Cycle Time	t _{CYC}	6.0	-	6.7	-	7.2	-	10.0	-	ns
Clock Access Time	t _{CD}	-	3.5	-	3.8	-	4.0	-	4.5	ns
Output Enable to Data Valid	t _{OE}	-	3.5	-	3.8	-	4.0	-	4.5	ns
Clock High to Output Low-Z	t _{LZC}	0	-	0	-	0	-	0	-	ns
Output Hold from Clock High	t _{OH}	1.5	-	1.5	-	1.5	-	1.5	-	ns
Output Enable Low to Output Low-Z	t _{LZOE}	0	-	0	-	0	-	0	-	ns
Output Enable High to Output High-Z	t _{HZOE}	-	3.5	-	3.5	-	3.8	-	4.0	ns
Clock High to Output High-Z	t _{HZC}	1.5	6.0	1.5	6.7	1.5	7.2	1.5	9.0	ns
Clock High Pulse Width	t _{CH}	2.4	-	2.6	-	2.8	-	3.4	-	ns
Clock Low Pulse Width	t _{CL}	2.4	-	2.6	-	2.8	-	3.4	-	ns
Address Setup to Clock High	t _{AS}	1.5	-	1.5	-	1.5	-	1.5	-	ns
Address Status Setup to Clock High	t _{SS}	1.5	-	1.5	-	1.5	-	1.5	-	ns
Data Setup to Clock High	t _{DS}	1.5	-	1.5	-	1.5	-	1.5	-	ns
Write Setup to Clock High (\overline{GW} , \overline{BW} , \overline{WEx})	t _{WS}	1.5	-	1.5	-	1.5	-	1.5	-	ns
Address Advance Setup to Clock High	t _{ADVS}	1.5	-	1.5	-	1.5	-	1.5	-	ns
Chip Select Setup to Clock High	t _{CSS}	1.5	-	1.5	-	1.5	-	1.5	-	ns
Address Hold from Clock High	t _{AH}	0.5	-	0.5	-	0.5	-	0.5	-	ns
Address Status Hold from Clock High	t _{SH}	0.5	-	0.5	-	0.5	-	0.5	-	ns
Data Hold from Clock High	t _{DH}	0.5	-	0.5	-	0.5	-	0.5	-	ns
Write Hold from Clock High (\overline{GW} , \overline{BW} , \overline{WEx})	t _{WH}	0.5	-	0.5	-	0.5	-	0.5	-	ns
Address Advance Hold from Clock High	t _{ADVH}	0.5	-	0.5	-	0.5	-	0.5	-	ns
Chip Select Hold from Clock High	t _{CSH}	0.5	-	0.5	-	0.5	-	0.5	-	ns
ZZ High to Power Down	t _{PDS}	2	-	2	-	2	-	2	-	cycle
ZZ Low to Power Up	t _{PUS}	2	-	2	-	2	-	2	-	cycle

NOTE : 1. All address inputs must meet the specified setup and hold times for all rising clock edges whenever \overline{ADSC} and/or \overline{ADSP} is sampled low and \overline{CS} is sampled low. All other synchronous inputs must meet the specified setup and hold times whenever this device is chip selected.
 2. Both chip selects must be active whenever \overline{ADSC} or \overline{ADSP} is sampled low in order for the this device to remain enabled.
 3. \overline{ADSC} or \overline{ADSP} must not be asserted for at least 2 Clock after leaving ZZ state.

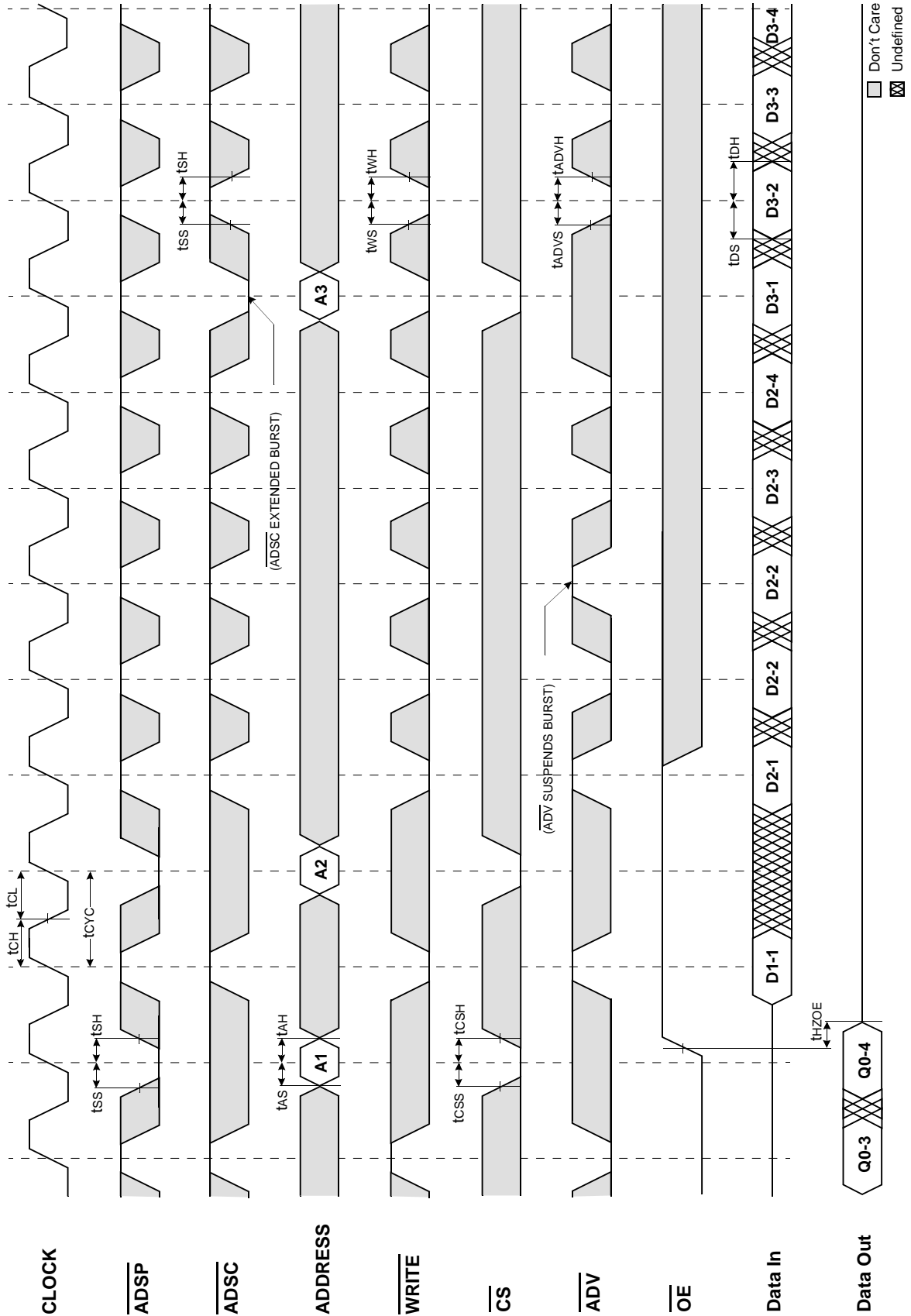
TIMING WAVEFORM OF READ CYCLE



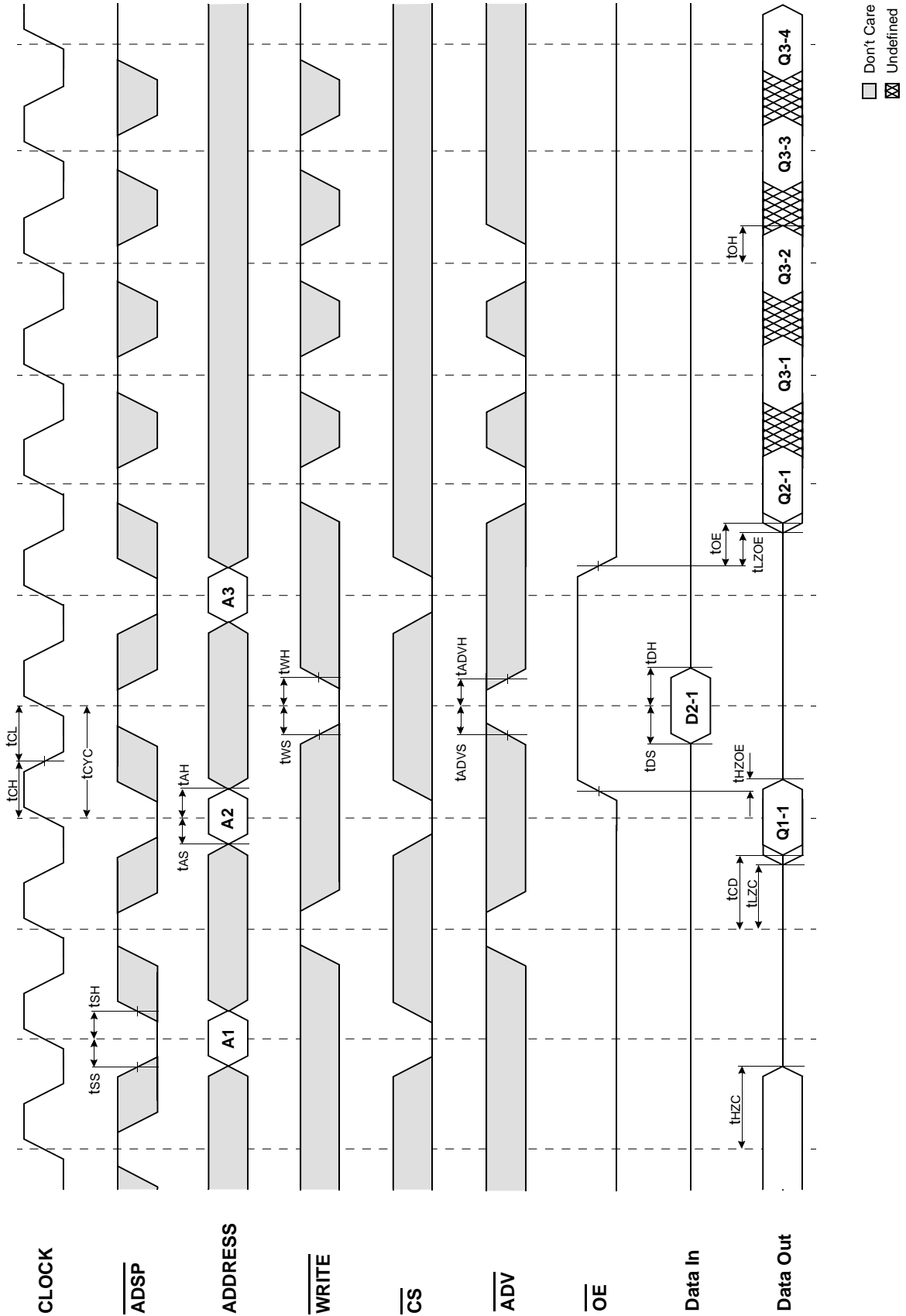
□ Don't Care
 ☒ Undefined

NOTES : $\overline{WRITE} = L$ means $\overline{GW} = L$, or $\overline{GW} = H, \overline{BW} = L, \overline{WEX} = L$
 $\overline{CS} = L$ means $\overline{CS1} = L, \overline{CS2} = H$ and $\overline{CS2} = L$
 $\overline{CS} = H$ means $\overline{CS1} = H$, or $\overline{CS1} = L$ and $\overline{CS2} = H$, or $\overline{CS1} = L$, and $\overline{CS2} = L$

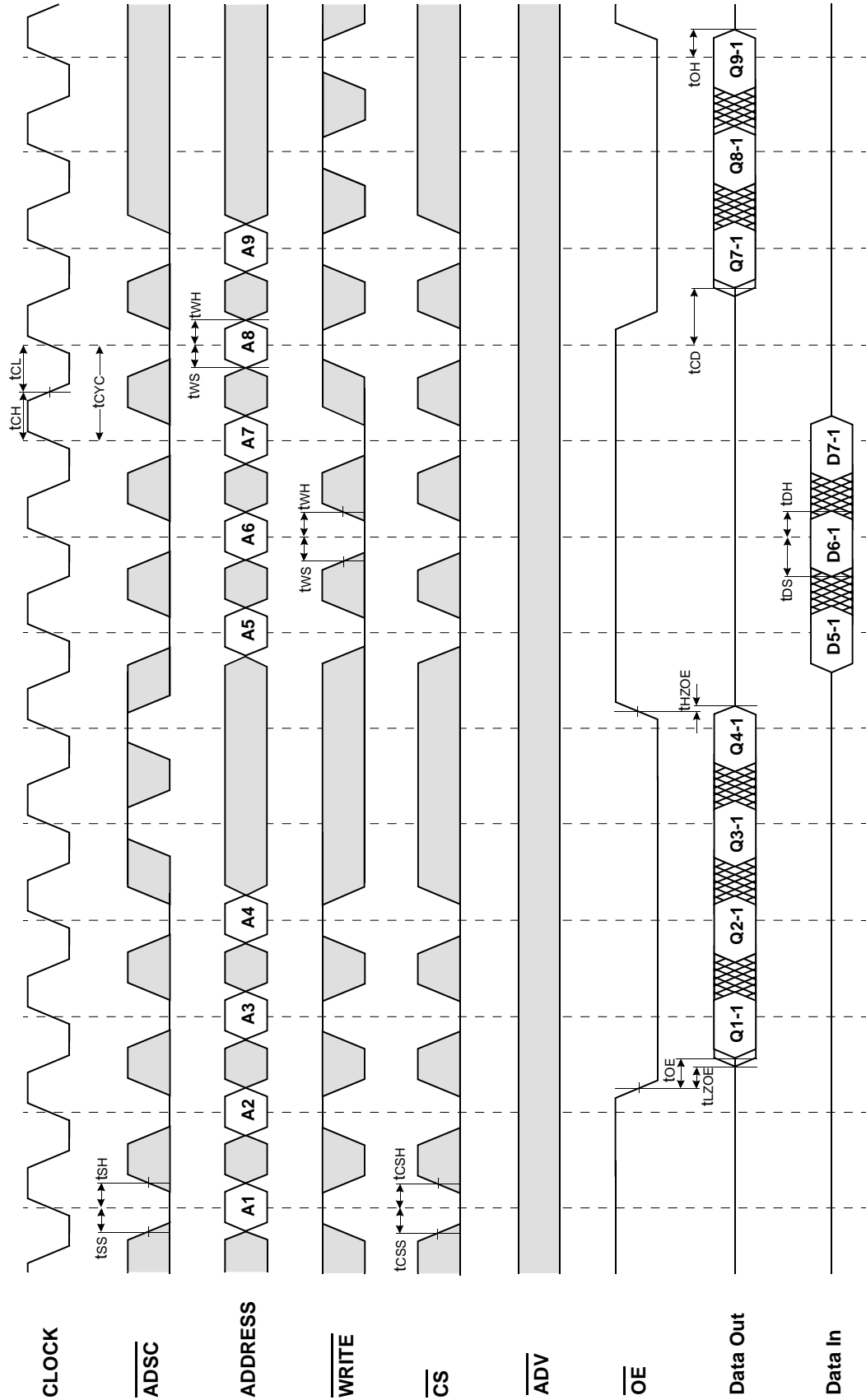
TIMING WAVEFORM OF WRTE CYCLE



TIMING WAVEFORM OF COMBINATION READ/WRITE CYCLE(ADSP CONTROLLED, $\overline{\text{ADSC}}=\text{HIGH}$)

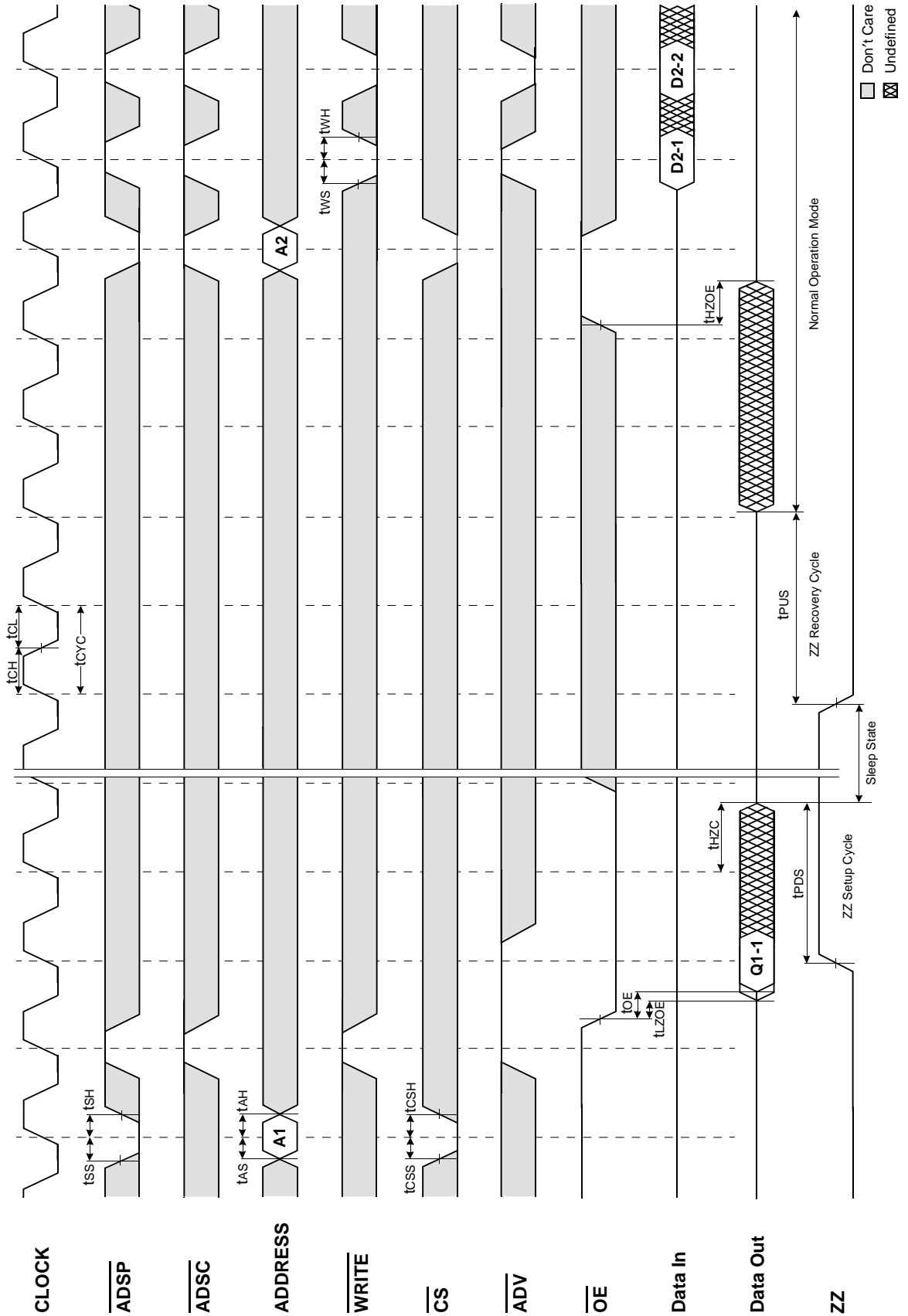


TIMING WAVEFORM OF SINGLE READ/WRITE CYCLE(ADSC CONTROLLED , ADSP=HIGH)



□ Don't Care
 ⊠ Undefined

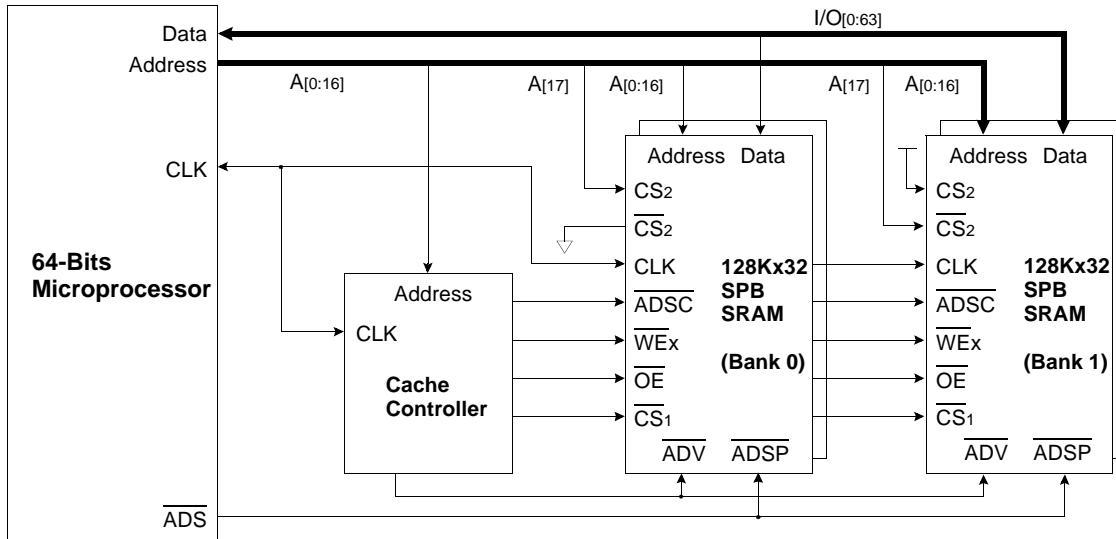
TIMING WAVEFORM OF POWER DOWN CYCLE



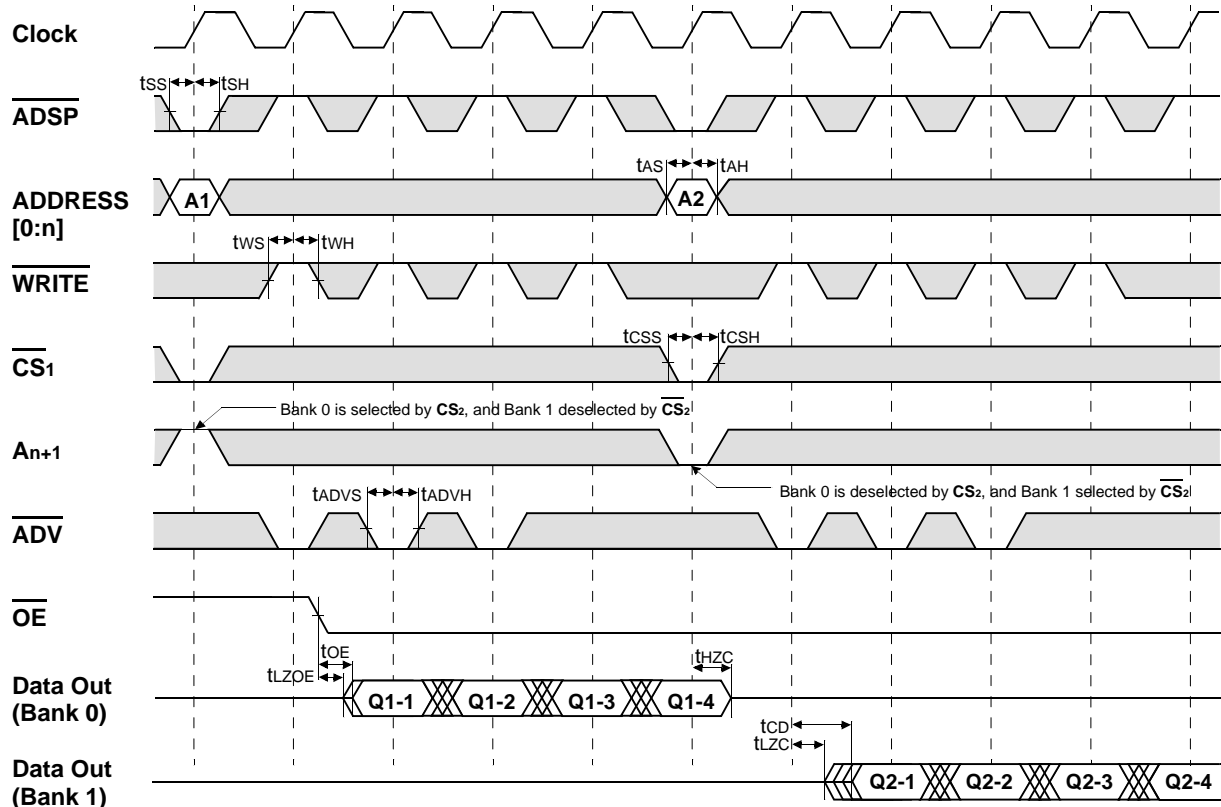
APPLICATION INFORMATION

DEPTH EXPANSION

The Samsung 128Kx32 Synchronous Pipelined Burst SRAM has two additional chip selects for simple depth expansion. This permits easy secondary cache upgrades from 128K depth to 256K depth without extra logic.



INTERLEAVE READ TIMING (Refer to non-interleave write timing for interleave write timing)
(ADSP CONTROLLED , ADSC=HIGH)



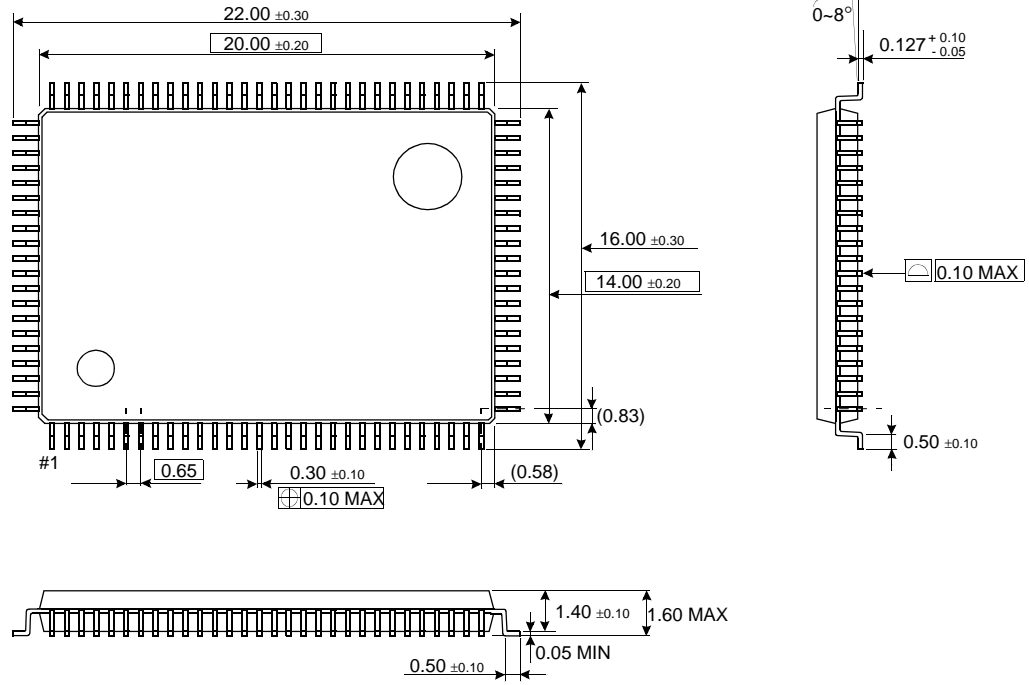
*NOTES n = 14 32K depth
 15 64K depth
 16 128K depth
 17 256K depth

□ Don't Care ⊗ Undefined

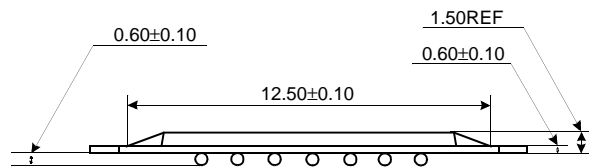
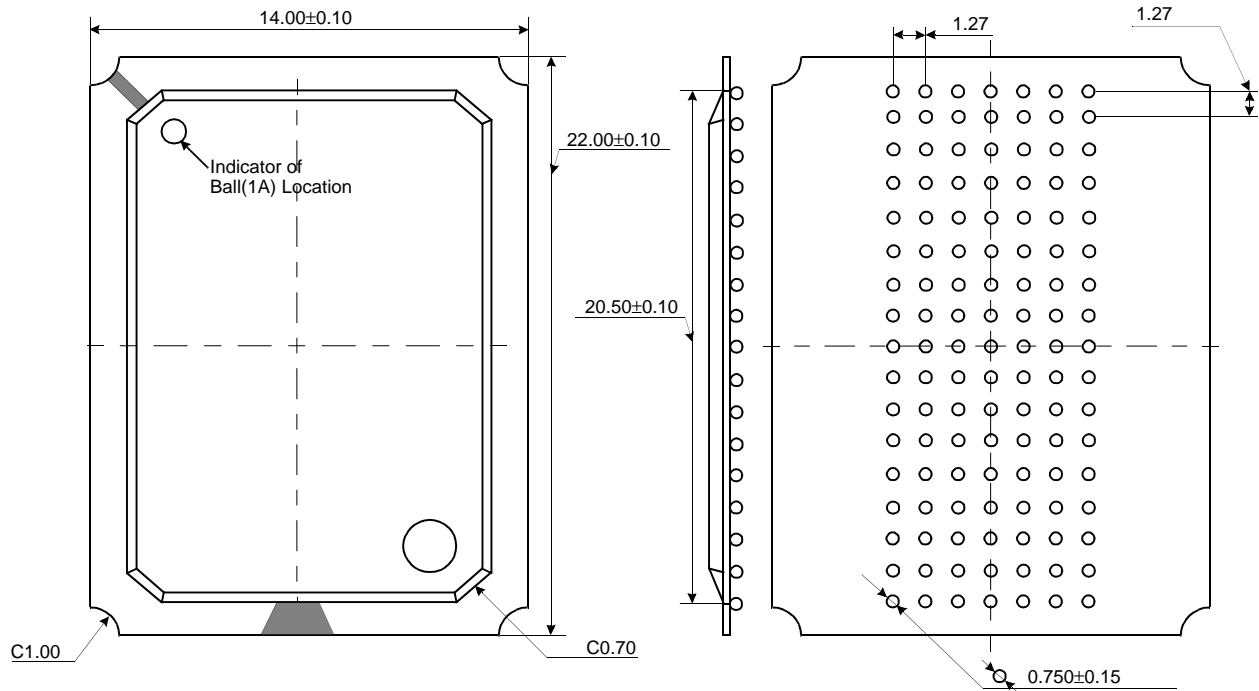
PACKAGE DIMENSIONS

100-TQFP-1420A

Units ; millimeters/Inches



119 BGA PACKAGE DIMENSIONS



NOTE :

1. All Dimensions are in Millimeters.
2. Solder Ball to PCB Offset : 0.10 MAX.
3. PCB to Cavity Offset : 0.10 MAX.