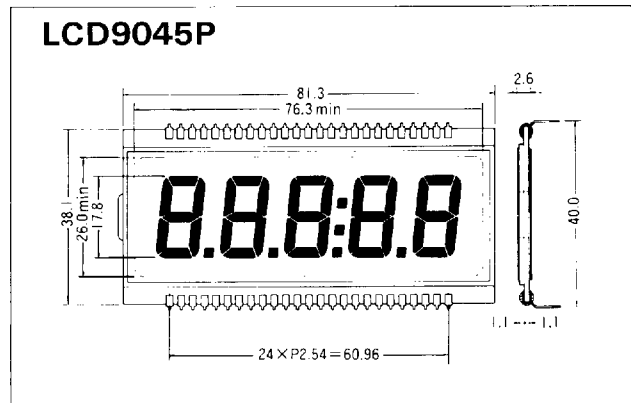
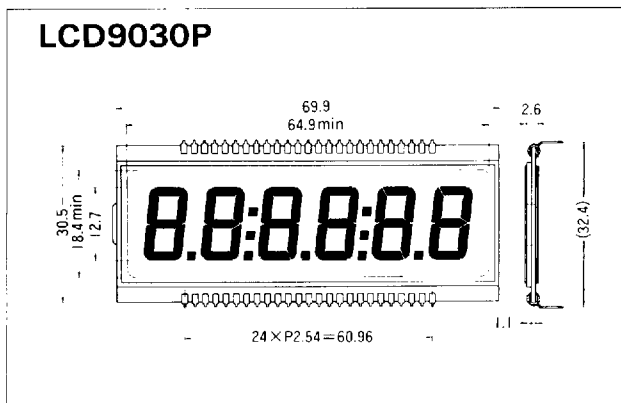
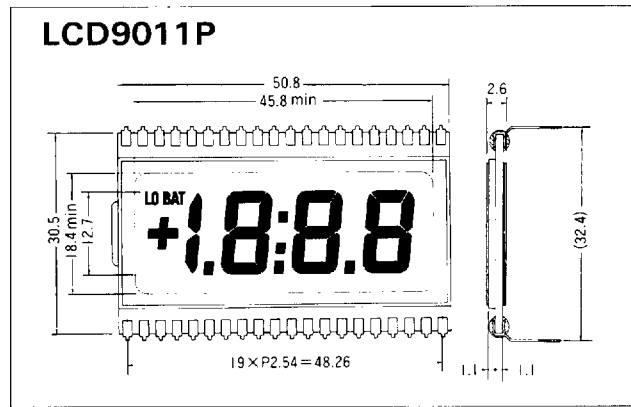
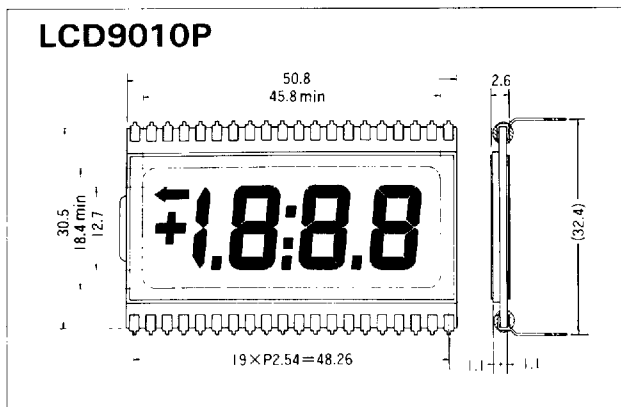
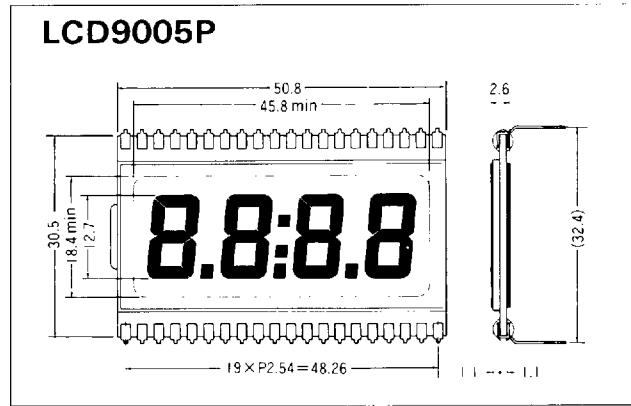
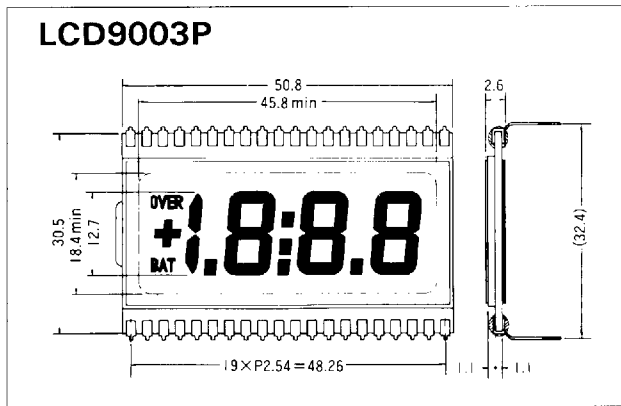


General-purpose LCD panels

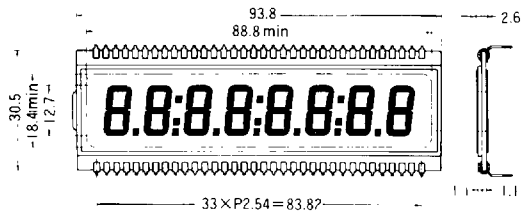
Continued from preceding page.

■ LCDs for instrumentation

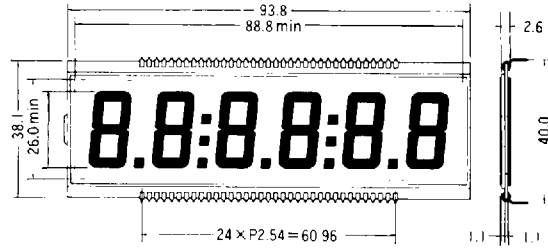
| Type No. | Dimensions W×H×T(mm) | Display area W×H(mm) | Character height (mm) | Pin pitch (mm) | Drive method | Applicable LSI |
|----------|-------------------------|-------------------------|-----------------------------|-------------------|------------------|----------------|
| LCD9003P | 50.8×30.5×2.6 | 44.8×18.4 | 12.7 | 2.54 | 3.0V, STATIC | ICL7106 |
| LCD9005P | 50.8×30.5×2.6 | 45.8×18.4 | 12.7 | 2.54 | 3.0V, STATIC | ICL7106 |
| LCD9010P | 50.8×30.5×2.6 | 45.8×18.4 | 12.7 | 2.54 | 3.0V, STATIC | ICL7106 |
| LCD9011P | 50.8×30.5×2.6 | 45.8×18.4 | 12.7 | 2.54 | 3.0V, STATIC | ICL7106 |
| LCD9030P | 69.9×30.5×2.6 | 64.9×18.4 | 12.7 | 2.54 | 3.0V, STATIC | LC7582 |
| LCD9045P | 81.3×38.1×2.6 | 76.3×26.0 | 17.8 | 2.54 | 3.0V, STATIC | LC7582 |
| LCD9050P | 93.8×30.5×2.6 | 88.8×18.4 | 12.7 | 2.54 | 3.0V, STATIC | LC7582 |
| LCD9055P | 93.8×38.1×2.6 | 88.8×26.0 | 17.8 | 2.54 | 3.0V, STATIC | LC7582 |
| LCD9060P | 137.1×45.7×2.6 | 132.1×33.1 | 25.4 | 2.54 | 3.0V, STATIC | LC7582 |
| LCD9102 | 70.0×22.0×2.6 | 65.0×13.0 | 6.4 | 1.80 | 3.0V, 1/3B, 1/4D | μPD7225G |



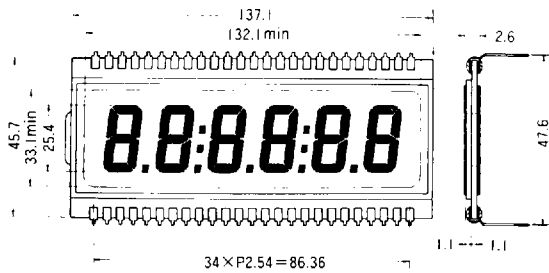
LCD-9050P



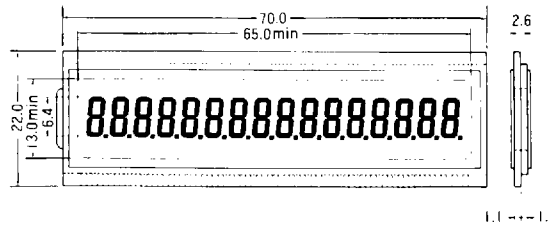
LCD-9055P



LCD-9060P



LCD-9102



General-purpose LCD modules and panels