

Why Omron?

Omron quality is recognized industry-wide. We perform 100% quality inspection and testing procedures at every stage of manufacturing — your assurance of satisfaction.

Your automation solution 24 hours a day.

Get Omron's *SmartFactory* advantage by utilizing our application engineering know-how, extensive training, and 24-hour technical support. Through our commitment to flexible manufacturing, Omron has become a leader in the manufacture of Operator Interfaces, Digital Panel Meters, Digital Displays, Counters, Timers, Sensors, PLCs, Process and Temperature Controllers, and other control devices. To obtain up-to-date technical specifications for all Omron products 24 hours a day, 7 days a week from your phone or fax machine, call our *ControlFax* at 847.843.1963.

Worldwide sales and support network.

You'll find over 200 stocking distributors and local sales offices throughout North America. With branch offices worldwide, Omron provides replacement components, service and multi-lingual documentation virtually anywhere in the world.

SECTION PAGE

Selection Guide 2

Applications 4

Software 7

Operator Interface Terminals



NT11S 11



NT20S 15



NT30/30C 19



NT600S 23



NT620S/620C 27

Communications 30



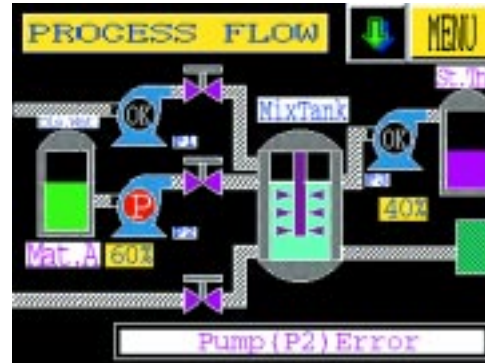
| MODEL | NT11S | NT20S | NT30 | NT30C |
|-----------------------------|--|--|--|--|
| DISPLAY | | | | |
| Size | 4 line x 20 character | 5" diagonal | 5.7" diagonal | 5.7" diagonal |
| Type | Backlit LCD | Backlit STN LCD | Bicolor backlit STN LCD | 8-color backlit STN LCD |
| Resolution | 160 x 64 pixels | 256 x 128 pixels | 320 x 240 pixels | 320 x 240 pixels |
| Interface | Alphanumeric | Touch screen | Touch screen | Touch screen |
| Touch cells | — | 72 per screen | 192 per screen | 192 per screen |
| FEATURES | | | | |
| | Large characters | Slim profile | Bicolor display | 8-color display |
| | Contrast control | Easy to configure screens | Full graphic capabilities | Full graphic capabilities |
| | Password protect screens | Replaceable backlight | Replaceable backlight | Replaceable backlight |
| | | LCD white mode option for better viewing angle | | |
| MEMORY | | | | |
| Type | Flash EPROM | Flash EPROM | Flash EPROM | Flash EPROM |
| Size | 32 K | 96 K | 512 K | 512 K |
| Max. # of screens | 250 screens | 500 screens | 2000 screens | 2000 screens |
| GRAPHIC CAPABILITIES | | | | |
| Freeform drawing | | ■ | ■ | ■ |
| Bitmap | | | ■ | ■ |
| Tiling | | | ■ | ■ |
| Bar graph | ■ | ■ | ■ | ■ |
| Line trending | | | ■ | ■ |
| Thumbwheel switch | | ■ | ■ | ■ |
| Text and numeric | ■ | ■ | ■ | ■ |
| Real-Time Clock | | | ■ | ■ |
| Printer Port | ■ | | ■ | ■ |
| Communication | Host Link / NT Link | Host Link / NT Link (1:1/1:N) / C200H Interface | Host Link / NT Link | Host Link / NT Link |
| Overall Dimensions | 218 _W x 113 _H x 38.2 _D mm 8.58 _W x 4.45 _H x 1.50 _D in | 190 _W x 110 _H x 58 _D mm 7.48 _W x 4.33 _H x 2.28 _D in | 195 _W x 142 _H x 55.6 _D mm 7.68 _W x 5.59 _H x 2.19 _D in | 195 _W x 142 _H x 55.6 _D mm 7.68 _W x 5.59 _H x 2.19 _D in |
| ENVIRONMENTAL | | | | |
| Ratings | NEMA 4 | NEMA 4 | NEMA 4 | NEMA 4 |
| Approvals | UL / CSA / CE | UL / CSA / CE | UL / CSA / CE | UL / CSA / CE |
| Accessories | — | Backlight Chemical resistant cover Protective sheet C200H Interface | Backlight Chemical resistant cover Protective sheet B7A Interface | Backlight Chemical resistant cover Protective sheet B7A Interface |



| MODEL | NT600S (LCD) | NT600S (EL) | NT620S | NT620C |
|-----------------------------|---|---|---|---|
| DISPLAY | | | | |
| Size | 9" diagonal | 9" diagonal | 9" diagonal | 9.7" diagonal |
| Type | Backlit STN LCD | Electroluminescent | Electroluminescent | 8-color backlit STN LCD |
| Resolution | 640 x 400 pixels | 640 x 400 pixels | 640 x 400 pixels | 640 x 480 pixels |
| Interface | Touch screen | Touch screen | Touch screen | Touch screen |
| Touch cells | 128 per screen | 128 per screen | 512 per screen | 768 per screen |
| FEATURES | | | | |
| | Large screen | Clear EL display | Clear EL display | 8-color display |
| | Slim profile | Extra-wide viewing angle | Full graphic capabilities | Full graphic capabilities |
| | Replaceable backlight | Slim profile | Extra-wide viewing angle | Replaceable backlight |
| MEMORY | | | | |
| Type | Flash EPROM | Flash EPROM | Flash EPROM | Flash EPROM |
| Size | 128 K | 128 K | 512 K | 1 MB |
| Max. # of screens | 500 screens | 500 screens | 2000 screens | 2000 screens |
| GRAPHIC CAPABILITIES | | | | |
| Freeform drawing | ■ | ■ | ■ | ■ |
| Bitmap | | | ■ | ■ |
| Tiling | | | ■ | ■ |
| Bar graph | ■ | ■ | ■ | ■ |
| Line trending | | | ■ | ■ |
| Thumbwheel switch | ■ | ■ | ■ | ■ |
| Text and numeric | ■ | ■ | ■ | ■ |
| Real-Time Clock | | | ■ | ■ |
| Printer Port | | | ■ | ■ |
| Communication | Host Link / NT Link (1:1/1:N) / C200H Interface | Host Link / NT Link (1:1/1:N) / C200H Interface | Host Link / NT Link (1:1/1:N) / Memory Link | Host Link / NT Link (1:1/1:N) / Memory Link |
| Overall Dimensions | 275 _W x 192 _H x 71 _D mm 10.83 _W x 7.56 _H x 2.80 _D in | 275 _W x 192 _H x 71 _D mm 10.83 _W x 7.56 _H x 2.80 _D in | 275 _W x 192 _H x 71 _D mm 10.83 _W x 7.56 _H x 2.80 _D in | 275 _W x 196 _H x 76.8 _D mm 10.83 _W x 7.72 _H x 3.02 _D in |
| ENVIRONMENTAL | | | | |
| Ratings | NEMA 4 | NEMA 4 | NEMA 4 | NEMA 4 |
| Approvals | UL / CSA / CE | UL / CSA / CE | UL / CSA / CE | UL / CSA / CE |
| Accessories | | | | |
| | Backlight | Chemical resistant cover | Chemical resistant cover | Backlight |
| | Chemical resistant cover | Protective sheet | Protective sheet | Chemical resistant cover |
| | Protective sheet | C200H Interface | | Protective sheet |
| | C200H Interface | | | |

Process Monitoring

The graphic capabilities of the NT Series Terminals make process illustration simple. On this display screen, bar graphs are used to simulate tank levels, and lamps show on/off value or motor status. Combine these graphic images with the variety of touch switches and error messages available and you have a detailed process monitoring application.



Temperature Monitoring

With the NT Series Terminals, you can easily consolidate many separate gauges, thumbwheels, and panel meters into one convenient control center. Here, temperature values are monitored on the display using graphs and thumbwheel switches. You can set high/low limits on the thumbwheel switches and use them to quickly change temperature set values.



Production Monitoring

Track real production levels against target projections with the NT Series Terminals. Monitor multiple lines from a single point and change target values with a quick touch of the screen.

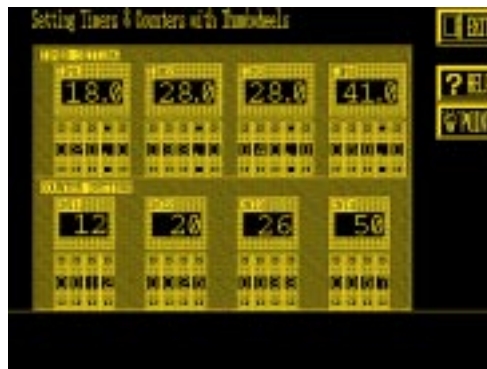


Production Monitoring



Production or assembly line operations can be monitored with a quick glance using the graphic capabilities of the NT Series Terminals. In this example screen, the graphic representation provides an assembly line overview. Lamps simulate motion and can also be used to show errors, quickly alerting your operators to problems in production. And error messages provide the information necessary to fix these problems fast.

Timers, Counters, Thumbwheels



Replacing or adding timers, counters, and thumbwheel switches has never been easier. With the NT Series Terminals you get a complete selection on a single screen. And because there's no costly hard-wire redesign considerations, you have the flexibility to choose from a variety of thumbwheel switches in two, four, or eight digits and you can set high/low limits for each.

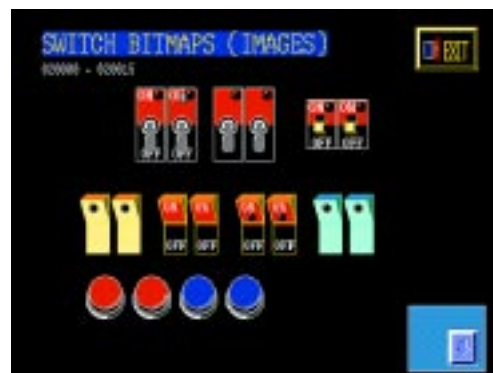
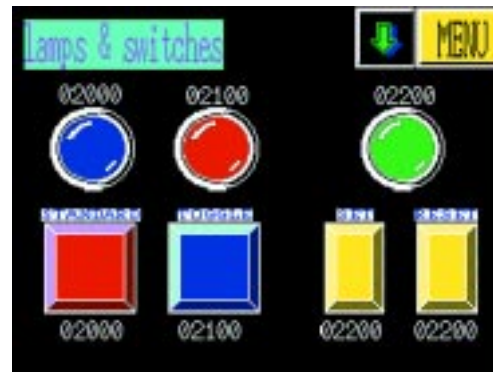
Pop-up Window Function



A pop-up window function is available on the NT30/30C and NT620S/620C terminals. Save on valuable screen space while you input numbers or characters to change set points, production targets, lot codes, or product types. Pop-up windows can also be used for error and help messages which means you won't have to switch off your main screen for monitoring.

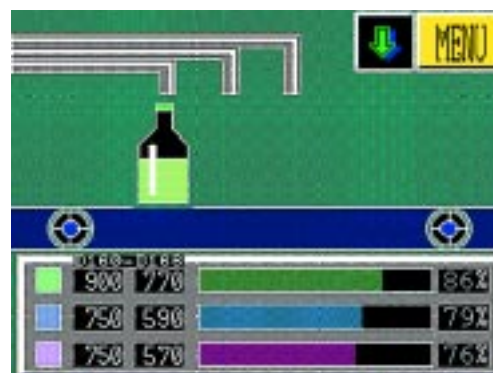
Pushbuttons, Lamps,
Switches

These display screens show how the NT Series Terminals replace hard-wired pilot lights and pushbuttons with realistic graphic icons. Saving on valuable panel space and wiring expense, additional pushbuttons and pilot lights can be added easily — just change your program. You won't need to endure the costly redesign of hard-wire devices. A variety of pushbuttons including: standard, momentary, and set/reset are available. And with the NT30/30C and NT620S/620C terminals, you can use bitmap images to create ultra-realistic switches and lamps.



Custom Graphics

With all the graphic possibilities of the NT Series Terminals, you can custom design dynamic application screens for your plant operation. Freeform drawing capabilities allow you to accurately illustrate each stage in the production process. And bitmap images can be used with the NT30/30C and NT620S/NT620C models, allowing you to include realistic graphic representations of anything from lamps and touch switches to company logos. Here, process status is monitored using bar graphs to track actual production values to target projections.



FAST, EASY
AND POWERFUL



Design, edit and modify your operator interface screens quickly and easily with

Omron's new NT Series Support Tool display development software. This powerful, Windows®-based package works with all NT-S Series Omron operator interfaces and features user-friendly icons, menus and built-in objects to help you develop dynamic, functional and attractive screens. NT Series Support Tool was designed specifically for use with the Windows 95' operating system to let you take full advantage of its 32-bit architecture, multi-tasking and user-friendly features.

With drawing tools similar to those found on commercial drawing packages, NT Series Support Tool is perfect for the experienced designer as well as beginners. Freehand drawing capabilities and bitmap import, along with powerful graphic tools, let you quickly and accurately illustrate your production process or machine. With NT Series Support Tool, you get the most out of your Omron operator interface investment and increase your production or machine efficiency.



FEATURES:

- Cut, copy, paste, group, ungroup
- Batch change of allocated bits and words
- Import bitmaps
- 10 levels of undo/redo
- NT Series Support Tool can be used with the following Omron touchscreen models:
 NT11S-SF121(B)
 NT20S-ST12*(B)-V1 or -EV3
 NT600S-ST121 or ST211-V1 or -EV3
 NT30-ST131(B)-E
 NT30C-ST141(B)-E
 NT620S-ST211(B)-E
 NT620C-ST141(B)-E

SYSTEM REQUIREMENTS

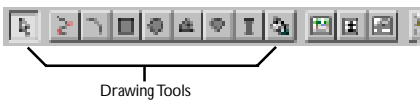
- IBM PC compatible with 486 or higher processor, running Microsoft Windows 95 (A Pentium processor is recommended for optimal performance)
- At least 8 MB of RAM but 16MB is recommended
- 10MB of available hard disk space
- Microsoft Windows 95
 Note: Will not work with Windows 3.1 or Windows NT

ORDERING INFORMATION

| | |
|----------------------------|----------------|
| Software | |
| NT Series Support Tool | NT-ZJ3AT1-EV1 |
| Cables | |
| Programming Cable 9-9 pin | C200H-CN229-EU |
| Programming Cable 9-25 pin | C200H-CN220-EU |

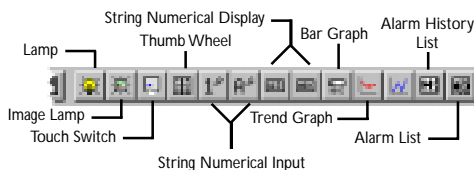
Some of NT Series Support Tool's powerful features:

Drawing Tool Bar



With NT Series Support Tool all your drawing tools are up front.

Now you can quickly and easily create dynamic applications for your operator interface. And because NT Series Support Tool adheres to Windows 95 standards, it comes with bubble "Help" to assist you in creating your screens.



Multiple Windows

Work with multiple screens concurrently. Save valuable drawing, editing, and debug time with NT Series Support Tool by working on multiple screens at the same time. Simply copy and paste elements from one screen to another.



Symbol Manager

Display components can be created and registered. Over time you can build a library of bitmaps or other objects that can be registered in NT Series Support Tool's Symbol Manager.

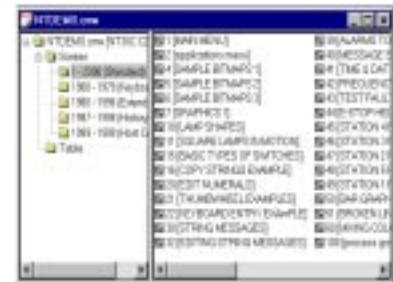


Simply open the "Symbol Manager" and drag and drop the object onto your screen.

To get you started, NT Series Support Tool includes a full library of keyboards and keypads.

File Management

File Management is made easy with NT Series Support Tool's Application Manager. Program files and screens are displayed in a tree structure so it's easy to find and reuse screen elements.



In addition, the Copy & Paste feature lets you quickly insert screens and files.

Error Detection

Simplify the process of troubleshooting your program. NT Series Support Tool's error log enables detection of errors such as capacity overload or stacking of touch switches in individual screens. Simply click on the error and automatically jump to its location for correction.

Re-use screens / Quickly modify

Save yourself valuable programming time with NT Series Support Tool. Working on multiple projects, changing or upgrading display models, or just upgrading a program in an existing display, NT Series Support Tool lets you quickly copy screens and programs from one application to another. And with its global search and replace, addressing can be changed quickly and easily.





FULL-FEATURED ALPHANUMERIC DISPLAY

FEATURES:

- Large characters
- Contrast control
- 4 line x 20 character backlit LCD
- 32 K memory (up to 250 screens)
- 4 programmable function keys
- Bar graph capability
- Password protect screens
- Printer port
- Host link/NT link communication
- NEMA 4
- Black or ivory front bezel



No space? No time? No problem! Our NT11S text-based 4 line x 20 character operator interface is the answer to your production needs. Compact (with the thinnest profile in the NT Series) and easy to operate, this full-featured operator interface allows accurate monitoring and controlling, and includes slide-in legends for quick customization of function keys. With the extra large keys of the NT11S keypad, you can manage it easily — even with heavy work gloves. And the NT11S uses a backlit LED LCD display providing a clearly visible screen in brightly lit areas.



Extra large numeric and function keys

SPECIFICATIONS

| Display | |
|----------------------|--|
| Type | Backlit LED LCD |
| Size | 4 line x 20 character |
| Resolution | 160 x 64 pixels |
| Touch cells | - |
| Viewing Angle | Left/Right ±35° |
| Electrical | |
| Power required | 24 VDC |
| Power consumed | 10 W max |
| Environmental | |
| Operating temp | 0-+50°C (+32°-+122°F) |
| Storage temp | -20°-+70°C (-4°-+158°F) |
| Humidity | 35-85% non-condensing |
| Ratings | NEMA 4 |
| Approvals | UL / CSA / CE |
| Dimensions | 218 _w x113 _H x38.2 _D mm 8.58 _w x4.45 _H x1.50 _D in |
| Weight | 1 kg (2.20 lbs) |
| Display Capabilities | |
| Memory | 32 K |
| Communication | Host Link / NT Link |
| Graphic Capabilities | |
| Bar graph | ■ |
| Text and Numeric | ■ |
| Marks | ■ |

Display advantage.

You can create easy-to-read message displays with the numeric and programmable function keys of the NT11S keypad. Character inversion, messaging, flash-



Password security system

ing, and bar graphs are just a few of the capabilities of this operator interface. Up to 250 screens can be programmed

into memory. And for those concerned about security, a password setting can be set per screen for critical machine operations.

The key to communication.

Communication between operation site and PLC can unlock production barriers. By connecting the NT11S with a PLC using the Host Link or NT Link communication method, messages, numeric values, and control information can be sent to and received back from the PLC with fast updates and quick response times guaranteed.

Rugged and adaptable.

Designed to operate in harsh surroundings, the NT11S is water resistant up to NEMA 4 standards.



Withstands water and oil

And with the NEMA 4 rating, you can be sure this terminal will readily stand up to water wash down environments. The NT11S also complies with UL/CSA/CE standards.

Easy-to-use software.

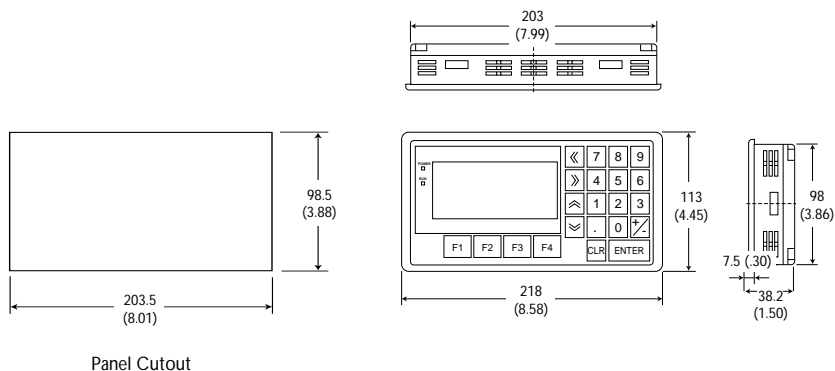
The NT11S uses NT Series Support Tool, a simple programming package for creating screens and messages. It is the same software used for programming Omron Touchscreens. NT Series Support Tool requires a short learning curve and provides an easy transition when developing useful programs for Omron's Operator Interface Terminals.



Ivory panel also available

DIMENSIONS

mm (in)



ORDERING INFORMATION

Display

| | |
|-------------------------------------|--------------|
| 4 x 20 Alphanumeric Display - Ivory | NT11S-SF121 |
| 4 x 20 Alphanumeric Display - Black | NT11S-SF121B |

Software

| | |
|--|---------------|
| NT Series Support Tool for NT11S/NT20/30/600/620 | NT-ZJ3AT1-EV1 |
|--|---------------|

Cables

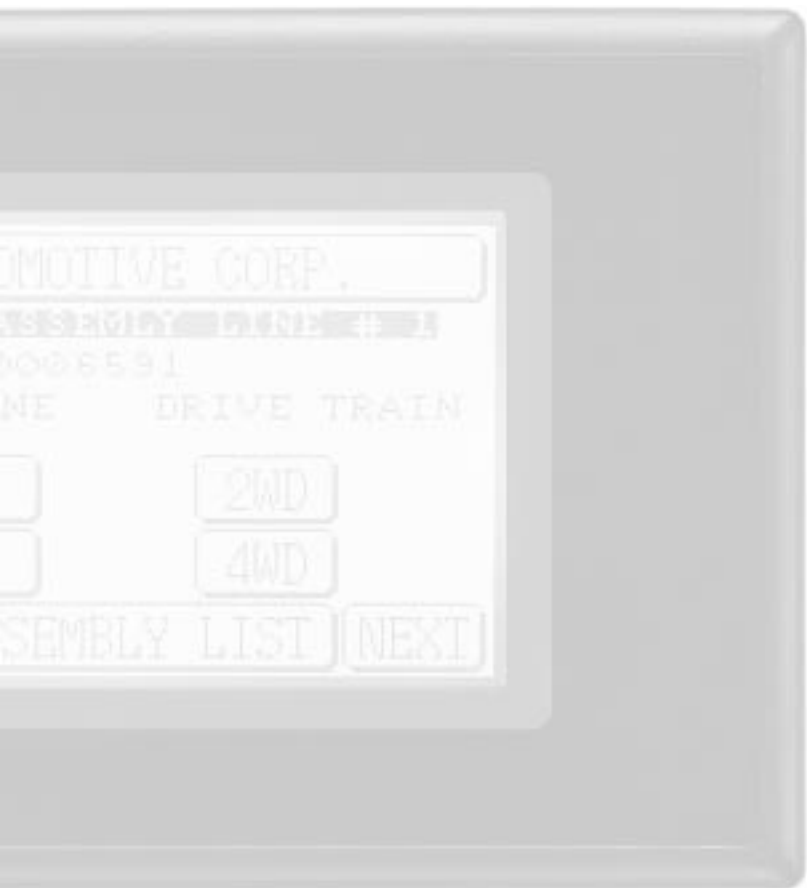
| | |
|--|----------------|
| 9-9 pin 50cm (1.6ft) NT-PLC Communication Cable | C200H-CN510-EU |
| 9-9 pin 3m (9.8ft) NT-PLC Communication Cable | C200H-CN320-EU |
| 9-9 pin 5m (16.4ft) NT-PLC Communication Cable | C200H-CN520-EU |
| 9-25 pin 50cm (1.6ft) NT-PLC Communication Cable | C200H-CN519-EU |
| 9-25 pin 3m (9.8ft) NT-PLC Communication Cable | C200H-CN329-EU |
| 9-25 pin 5m (16.4ft) NT-PLC Communication Cable | C200H-CN529-EU |

Manuals

| | |
|------------------------|-----------|
| NT11S Operation Manual | V029-E1-1 |
|------------------------|-----------|

Additional Information

| Related NT11S Info | Page# |
|--------------------|-------|
| Applications | 4 |
| Communications | |
| Host Link | 30 |
| NT Link | 31 |



SPACE-SAVING
SEMI-GRAPHIC
TOUCH SCREEN PANEL



FEATURES:

- 5" diagonal display
- STN LCD touch screen
- 96 K memory
- Freeform drawing capabilities
- Host link/NT link (1:1/1:N)/C200H backplane communication
- NEMA 4
- Replaceable backlight
- Black or ivory front bezel

The biggest little terminal on the market. Omron's NT20S operator interface terminal offers you the convenience of touch screen control with the advantage of flexible, flat panel design. With a depth of only 54 mm, the NT20S easily builds into equipment and saves on valuable panel space. Choose Black or Blue LCD color to meet your application viewing needs.



Slim 54 mm profile



Replaceable backlight

Blue is easier on the eyes; black offers the widest viewing angle. Maintenance is a breeze with the easily replaceable backlight. Display lifetime is increased while downtime is reduced. Less maintenance on the plant floor saves you time and money.

SPECIFICATIONS

| Display | |
|----------------------|--|
| Type | Black or Blue Backlit STN LCD |
| Size | 5" diagonal |
| Resolution | 240 x 128 pixels |
| Touch cells | 72 per screen |
| Viewing Angle | Left/Right ±35° |
| Electrical | |
| Power required | 24VDC |
| Power consumed | 10 W max |
| Environmental | |
| Operating temp | 0-+50°C (+32°-+122°F) |
| Storage temp | -20°-+70°C (-4°-+158°F) |
| Humidity | 35-85% non-condensing |
| Ratings | NEMA 4 |
| Approvals | UL / CSA / CE |
| Dimensions | 190 _w x110 _H x58 _D mm 7.48 _w x4.33 _H x2.28 _D in |
| Weight | .7 kg (1.5 lbs) |
| Display Capabilities | |
| Memory | 96 K |
| Communication | Host Link / NT Link (1:1/ 1:N) / C200H Interface |
| Graphic Capabilities | |
| Freeform drawing | ■ |
| Thumbwheel | ■ |
| Numeric keypad | ■ |
| History recording | ■ |
| Bar graph | ■ |
| Text and numeric | ■ |
| Custom graphics | ■ |

Pour it on.

The NT20S can take it. This operator interface won't let you down when exposed to water or oil. The flat, flush surface construction of the terminal's front cover gives it a water resistance equivalent to NEMA 4, even without a protective cover. And with the NEMA 4 rating, the NT20S is a perfect fit for food processing or water wash down environments. The rugged NT20S also meets worldwide standards, complying with UL/CSA/CE requirements.

Making a quick connection.

Communication between operation site and PLC is as simple as the touch of a screen. By connecting the NT20S with a PLC using the Host Link, NT Link, or C200H Interface communication method, touch switch status, messages, numeric values, and control information can be sent to and received back from the PLC with changes immediately registered on the LCD display. Fast updates and quick response times are guaranteed. The NT20S now offers the NT Link 1:N connection which allows links to multiple operator interface units. Depending on the PLC CPU, a maximum of 8 operator interfaces can connect to one port. And with the C200H Interface backplane communication method, the terminal connects directly on the expansion port of the C200H backplane freeing up

the CPU's communication ports and slots. Using this C200H backplane bus provides exceptionally fast response speeds.

Less is more.

The NT20S costs you less but gives you more. More input functions, more graphics and more communications possibilities. With thumbwheel switches, you can input numerical values directly into the PLC without the need of a sequence program. You can easily change these values with just one touch and they can be subjected to an upper and lower limit check. This compact touch screen allows push-button control, alarm features, and machine and set-up help, making it easier for you to take control of your plant operation.



Thumbwheel switches

Save time on design.

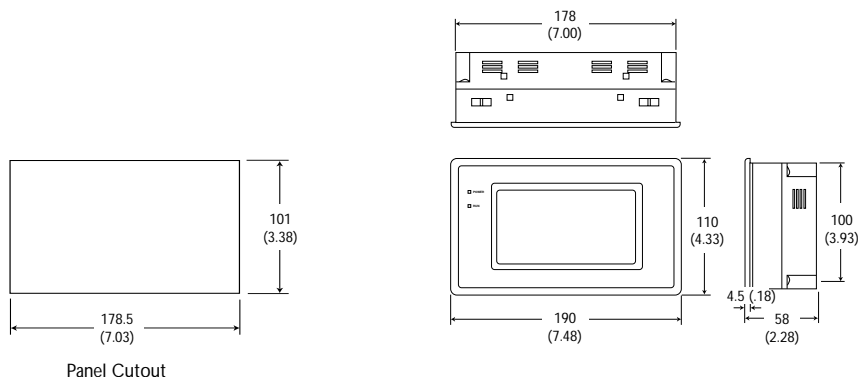
Quickly create graphics, touch switches, and entire programs with Omron's NT Series Support Tool. Our easy-to-use software provides drawing tools similar to those found in commercial drawing packages. This gives seasoned designers all the options they need to create sophisticated graphics yet it's simple enough even for beginners to use in quick screen creation.



Protective sheet shields display from dirt and scratches

DIMENSIONS

mm (in)



ORDERING INFORMATION

Display

Blue LCD

| | |
|---|------------------|
| 5" Backlit Touch Screen - Ivory | NT20S-ST121-EV3 |
| 5" Backlit Touch Screen - Black | NT20S-ST121B-EV3 |
| 5" Backlit Touch Screen C200H Connect - Ivory | NT20S-ST122-V1 |
| 5" Backlit Touch Screen C200H Connect - Black | NT20S-ST122B-V1 |

Black LCD

| | |
|---------------------------------|------------------|
| 5" Backlit Touch Screen - Ivory | NT20S-ST161-EV3 |
| 5" Backlit Touch Screen - Black | NT20S-ST161B-EV3 |

Software

| | |
|--|----------------|
| NT Series Support Tool for NT11S/NT20/30/600/620 | NT-ZJ3AT1-EV1 |
| Programming Cable 9-9 pin | C200H-CN229-EU |
| Programming Cable 9-25 pin | C200H-CN220-EU |

Accessories

| | |
|--------------------------|-------------|
| Backlight | NT20S-CFL01 |
| Chemical Resistant Cover | NT20S-KBA01 |
| Protective Sheet | NT20M-KBA04 |
| RS232/422 Converter | NT-AL001 |

Cables

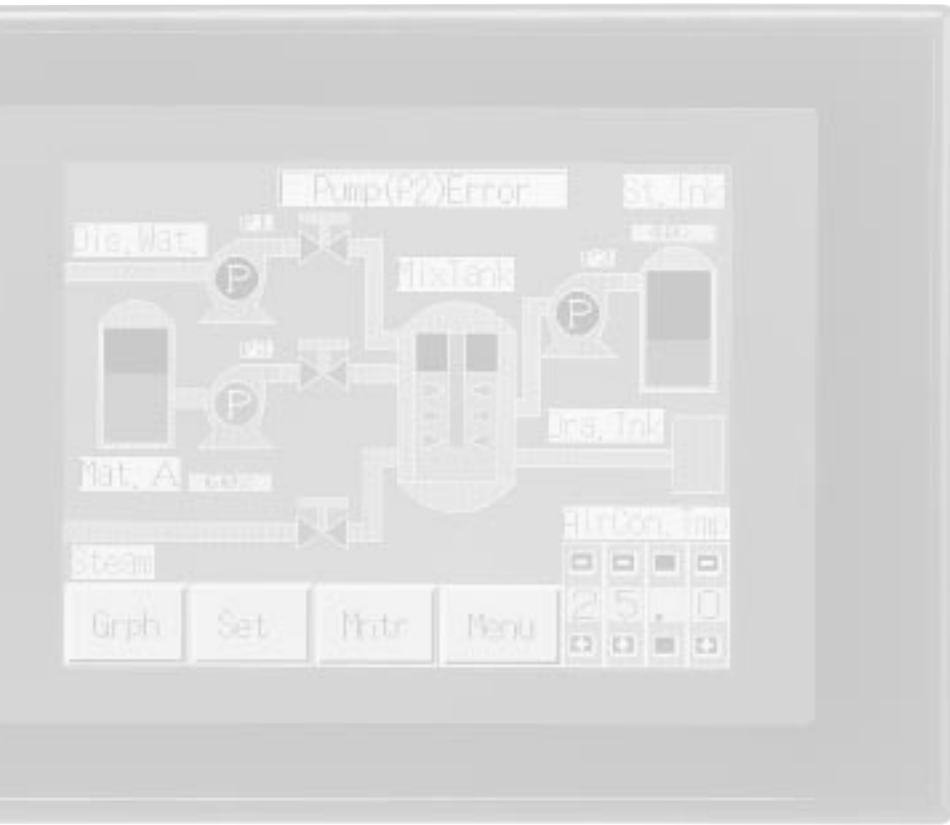
| | |
|---|----------------|
| 9-9 pin 50cm (1.6 ft) NT-PLC Communication Cable | C200H-CN510-EU |
| 9-9 pin 3m (9.8 ft) NT-PLC Communication Cable | C200H-CN320-EU |
| 9-9 pin 5m (16.4 ft) NT-PLC Communication Cable | C200H-CN520-EU |
| 9-25 pin 50cm (1.6 ft) NT-PLC Communication Cable | C200H-CN519-EU |
| 9-25 pin 3m (9.8 ft) NT-PLC Communication Cable | C200H-CN329-EU |
| 9-25 pin 5m (16.4 ft) NT-PLC Communication Cable | C200H-CN529-EU |
| C200H 30cm (11.8 in) I/O Connecting Cable | C200H-CN311 |
| C200H 70cm (2.3 ft) I/O Connecting Cable | C200H-CN711 |
| C200H 2m (6.6 ft) I/O Connecting Cable | C200H-CN221 |
| C200H 5m (16.4 ft) I/O Connecting Cable | C200H-CN521 |
| C200H 10m (32.8 ft) I/O Connecting Cable | C200H-CN131 |

Manuals

| | |
|------------------------|-----------|
| NT20S Operation Manual | V020-E3-1 |
|------------------------|-----------|

Additional Information

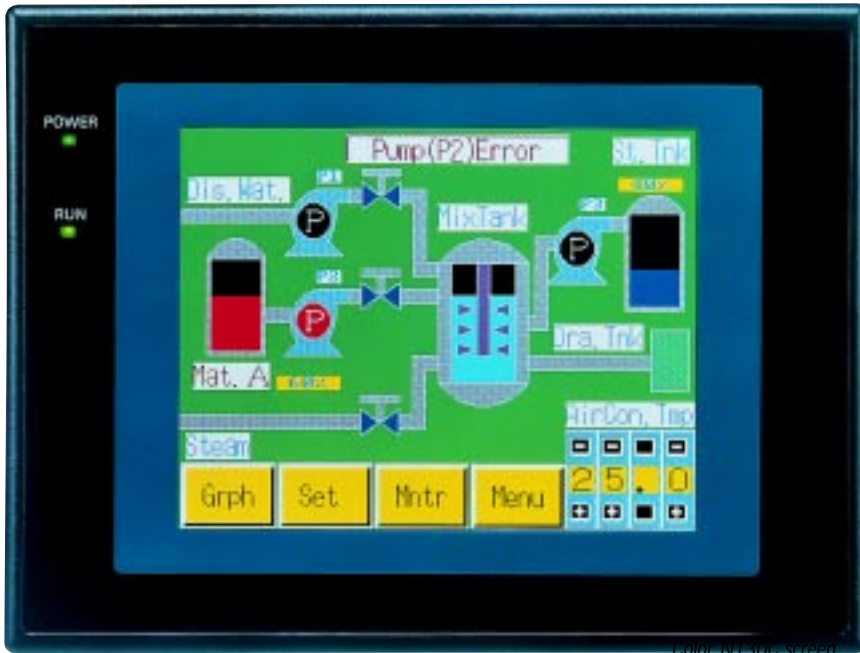
| Related NT20S Info | Page # |
|--------------------|--------|
| Software | 7 |
| Applications | 4 |
| Communications | |
| Host Link | 30 |
| NT Link | 31 |
| C200H Interface | 33 |



FULLY-GRAPHIC
8-COLOR/BICOLOR
TOUCH SCREEN PANEL

FEATURES:

- 5.7" diagonal display
- 8-color or bicolor STN LCD touch screen
- Battery-packed real-time clock
- Printer port
- 512 K memory
- Host link/NT link communication
- NEMA 4
- Replaceable backlight
- Black or ivory front bezel



Color NT30C screen

A touch of color. Omron's NT30/30C operator interface terminal gives you the convenience of touch screen control with clear color capabilities.



White NT30 screen



Red NT30 warning screen

offers two terminal options with easy-to-configure screens: the NT30C, a fully graphic eight-color display; and the NT30 bicolor display, which may be programmed to alternate between a white or a red screen. (This red screen is perfect for instantly alerting you to warnings and quickly identifying problem areas.) And with the high resolution 5.7 inch screen,

you're assured of readability even in brightly lit conditions. It's also easy to maintain. The replaceable backlight decreases down-time while increasing display lifetime. Less maintenance on the plant floor saves you time and money.



Replaceable backlight

SPECIFICATIONS

| | |
|-----------------------------|--|
| Display | |
| Type | Backlit STN LCD |
| Size | 5.7" diagonal |
| Resolution | 320 x 240 pixels |
| Touch cells | 192 per screen |
| Viewing Angle | Left/Right ±35° |
| Electrical | |
| Power required | 24 VDC |
| Power consumed | 12 W max. |
| Environmental | |
| Operating temp | 0-+50°C (+32°-+122°F) |
| Storage temp | -20-+70°C (-4°-+158°F) |
| Humidity | 35-85% non-condensing |
| Ratings | NEMA 4 |
| Approvals | UL / CSA / CE |
| Dimensions | 195 _w x142 _H x55.6 _D mm 7.68 _w x5.59 _H x2.19 _D in |
| Weight | .7 kg (1.54 lbs) |
| Display Capabilities | |
| Memory | 512 K |
| Communication | Host Link / NT Link |
| Real-time clock | Yes |
| Graphic Capabilities | |
| Freeform drawing | ■ |
| Bitmap | ■ |
| Tiling | ■ |
| Thumbwheel | ■ |
| Numeric keypad | ■ |
| History recording | ■ |
| Bar graph | ■ |
| Text and numeric | ■ |
| Custom graphics | ■ |

Right on time.

Omron's high resolution panel with built-in real-time clock and 512 K worth of memory equips you with a powerful control and information resource. The battery-backed real-time clock allows you to maintain a history of errors, alarm messages or production counts — a valuable aid in machine failure analysis. And hard copies of the screen may be printed, even during operation. You can easily display bar charts, broken line graphs and three sizes of thumbwheel switches. The NT30/30C also comes with a unique pop-up window function that makes more efficient use of screen space.



Screen hard copies during operation

Use these space saving pop-up windows to display such items as numeric or character input

keys, and help messages. Create eye-catching screens with bitmap images that you can use to graphically display anything from lamps and touch switches to company logos.

Communication connection.

Communication between operation site and PLC is as simple as the touch of a screen. By connecting the NT30/30C with a PLC using the Host Link or NT Link communication method, touch switch status, messages, numeric values, and control information can be sent to and received back from the PLC with changes immediately registered on the LCD display. Fast

updates and quick response times are guaranteed. Extend the capabilities of the NT30/30C with our B7A Interface. Connecting



Omron's B7A Interface to the terminal gives you up to 32 external I/O points for use with hard-wired alarms and pushbuttons. The B7A saves on wiring expense and extends distance while providing more control and flexibility.

Built to take it.

Slim and sturdy, the NT30/30C can withstand exposure to water and mist. Water resistant to NEMA 4 standards, even without a



NEMA 4 rating

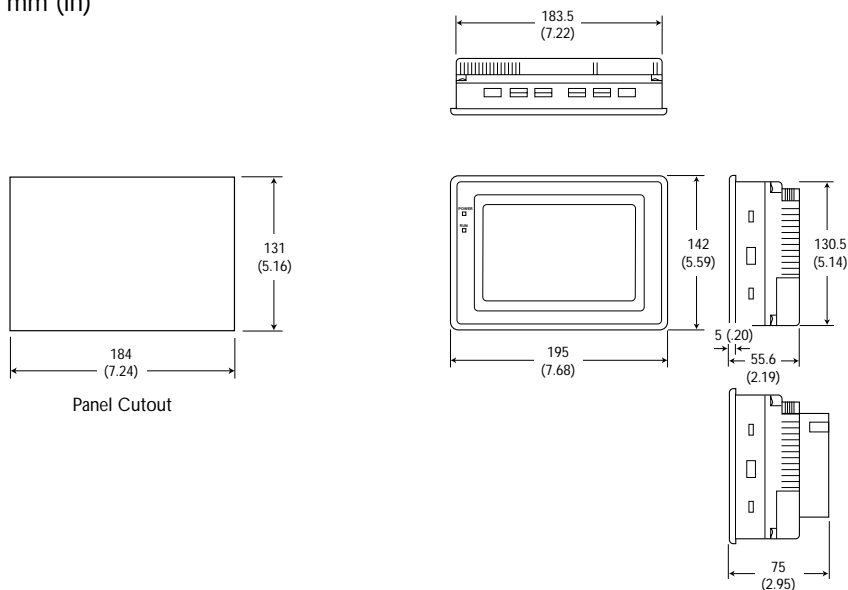
protective cover, this terminal can be used with food processing machines and machine tools. The NT30/30C also meets UL/CSA/CE requirements.

Screen design in less time.

Quickly create graphics, touch switches, and entire programs with Omron's NT Series Support Tool. Our easy-to-use software provides drawing tools similar to those found in commercial drawing packages. This gives seasoned designers all the options they need to create sophisticated graphics yet it's simple enough even for beginners to use in quick screen creation.

DIMENSIONS

mm (in)



ORDERING INFORMATION

Display

| | |
|---|----------------|
| 5.7" Bicolor Backlit LCD Touch Screen - Ivory | NT30-ST131-E |
| 5.7" Bicolor Backlit LCD Touch Screen - Black | NT30-ST131B-E |
| 5.7" 8-color Backlit LCD Touch Screen - Ivory | NT30C-ST141-E |
| 5.7" 8-color Backlit LCD Touch Screen - Black | NT30C-ST141B-E |

Software

| | |
|--|----------------|
| NT Series Support Tool for NT11S/NT20/30/600/620 | NT-ZJ3AT1-EV1 |
| Programming Cable 9-9 pin | C200H-CN229-EU |
| Programming Cable 9-25 pin | C200H-CN220-EU |

Accessories

| | |
|---|-------------|
| Backlight for NT30 | NT30-CFL01 |
| Backlight for NT30C | NT30C-CFL01 |
| B7A Interface Unit In 16(8) / Out 16(8) | NT-B7A16 |
| Chemical Resistant Cover for NT30/30C | NT30-KBA01 |
| Protective Sheet for NT30/30C | NT30-KBA04 |
| Battery | 3G2A9-BAT08 |
| RS232/422 Converter | NT-AL001 |
| NT to Printer Cable | NT-CNT121 |

Cables

| | |
|---|----------------|
| 9-9 pin 50cm (1.6 ft) NT-PLC Communication Cable | C200H-CN510-EU |
| 9-9 pin 3m (9.8 ft) NT-PLC Communication Cable | C200H-CN320-EU |
| 9-9 pin 5m (16.4 ft) NT-PLC Communication Cable | C200H-CN520-EU |
| 9-25 pin 50cm (1.6 ft) NT-PLC Communication Cable | C200H-CN519-EU |
| 9-25 pin 3m (9.8 ft) NT-PLC Communication Cable | C200H-CN329-EU |
| 9-25 pin 5m (16.4 ft) NT-PLC Communication Cable | C200H-CN529-EU |

Manuals

| | |
|---------------------------|-----------|
| NT30/30C Operation Manual | V034-E1-1 |
|---------------------------|-----------|

Additional Information

| Related NT30/30C Info | Page # |
|-----------------------|--------|
| Software | 7 |
| Applications | 4 |
| Communications | |
| Host Link | 30 |
| NT Link | 31 |



LARGE TOUCH SCREEN SEMI-GRAPHIC PANEL



NT600S LCD screen

Size it up. Compared to other operator interface terminals on the market, Omron's NT600S is the clear choice for value offering a large touch screen display

at a small touch screen price. With its surprisingly slim, flat panel design and spacious 9" display, you can install this operator interface just about anywhere and still easily see the screen.



Electroluminescent screen

You won't strain your eyes, even in brightly lit areas. Choose from the standard STN LCD touch screen or the wide-angle electroluminescent display. Our electroluminescent model gives you an extra-wide viewing angle, making the information you need just a glance away.

FEATURES:

- 9" diagonal display
- STN LCD or EL touch screen
- 128 K memory
- Host link/NT link(1:1/1:N)/C200H backplane communication
- NEMA 4
- Replaceable backlight on LCD
- Black or ivory front bezel

SPECIFICATIONS

| | |
|-----------------------------|--|
| Display | |
| Type | Backlit STN LCD or Electroluminescent (EL) |
| Size | 9" diagonal |
| Resolution | 640 x 400 pixels |
| Touch cells | 128 per screen |
| Viewing Angle | Left/Right ±50° on LCD Left/Right ±80° on EL |
| Electrical | |
| Power required | 24 VDC |
| Power consumed | Less than 15 W on LCD Less than 25 W on EL |
| Environmental | |
| Operating temp | 0-+50°C (+32°-+122°F) |
| Storage temp | -20-+70°C (-4°-+158°F) |
| Humidity | 35-85% non-condensing |
| Ratings | NEMA 4 |
| Approvals | UL / CSA / CE |
| Dimensions | 275wx192hx71D mm 10.83wx7.56hx2.80D in |
| Weight | 1.8 kg (3.97 lbs) |
| Display Capabilities | |
| Memory | 128 K |
| Communication | Host Link / NT Link (1:1/1:N) C200H Interface |
| Graphic Capabilities | |
| Freeform drawing | ■ |
| Thumbwheel | ■ |
| Numeric keypad | ■ |
| History recording | ■ |
| Bar graph | ■ |
| Text and Numeric | ■ |
| Custom Graphics | ■ |

Constructed to last.

The NT600S complies with worldwide environmental standards, withstanding exposure to water or oil.

The flat, flush surface construction of the terminal's



Protective sheet shields display from dirt and scratches

front cover gives it a water resistance equivalent to IP65, even without a protective cover. And NEMA 4 ratings ensure it functions in food processing or water wash down environments.

The NT600S also meets UL/CSA/CE requirements.

Quick to connect.

Communication between operation site and PLC is as simple as the touch of a screen. By connecting the NT600S with a PLC using the Host Link, NT Link, or C200H Interface communication method, touch switch status, messages, numeric values, and control information can be sent to and received back from the PLC with changes immediately registered on the LCD/EL display. With the new NT Link 1:N method, the NT600S offers more communication options than ever before. Depending on the PLC CPU, up to 8 operator interfaces can be connected to one port. And with the C200H Interface backplane communication method, the terminal connects directly on the expansion port of the C200H backplane freeing up the

CPU's communication ports and slots. Using this C200H back plane bus provides exceptionally fast response speeds.

Valuable input.

The large touch screen of the NT600S offers a wide display area for working with input functions and graphics. The many graphic capabilities available give you a realistic representation of pushbuttons, lamps, bar graphs and thumbwheel switches.



Slim 65mm profile

Thumbwheel switches allow you to input numeric values directly into the PLC without the need of a sequence program saving valuable program memory. And with the freeform drawing capabilities of the NT600S, you can create a graphic display of machine, assembly, or process status complete with alarm, control, and help messages.

Save time on design.

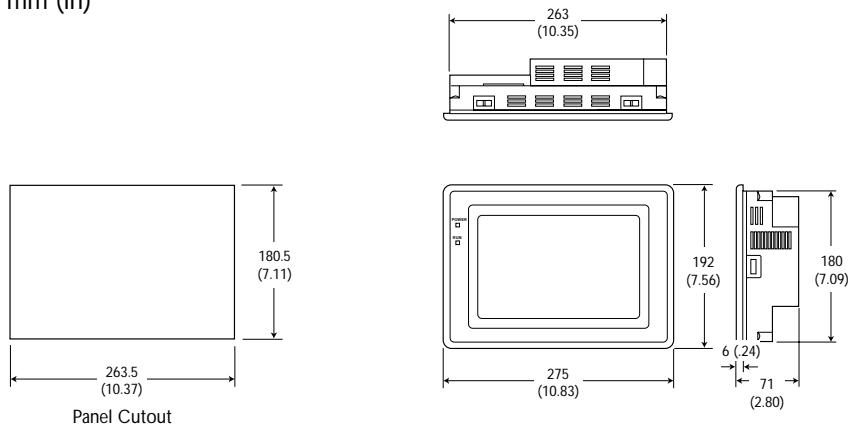
Quickly create graphics, touch switches, and entire programs with Omron's NT Series Support Tool. Our easy-to-use software provides drawing tools similar to those found in commercial drawing packages. This gives seasoned designers all the options they need to create sophisticated graphics yet it's simple enough even for beginners to use in quick screen creation.



Replaceable backlight on LCD screen

DIMENSIONS

mm (in)



ORDERING INFORMATION

Display

| | |
|--|-------------------|
| 9" LCD Touch Screen - Ivory | NT600S-ST121-EV3 |
| 9" LCD Touch Screen - Black | NT600S-ST121B-EV3 |
| 9" Electroluminescent Touch Screen - Ivory | NT600S-ST211-EV3 |
| 9" Electroluminescent Touch Screen - Black | NT600S-ST211B-EV3 |

Software

| | |
|--|----------------|
| NT Series Support Tool for NT11S/NT20/30/600/620 | NT-ZJ3AT1-EV1 |
| Programming Cable 9-9 pin | C200H-CN229-EU |
| Programming Cable 9-25 pin | C200H-CN220-EU |

Accessories

| | |
|-------------------------------------|--------------|
| Backlight for NT600S | NT600S-CFL01 |
| C200H Direct Connect Interface | NT-LB122 |
| Chemical Resistant Cover for NT600S | NT600S-KBA01 |
| Protective Sheet for NT600S/620S | NT600M-KBA04 |
| Battery | 3G2A9-BAT08 |
| RS232/422 Converter | NT-AL001 |

Cables

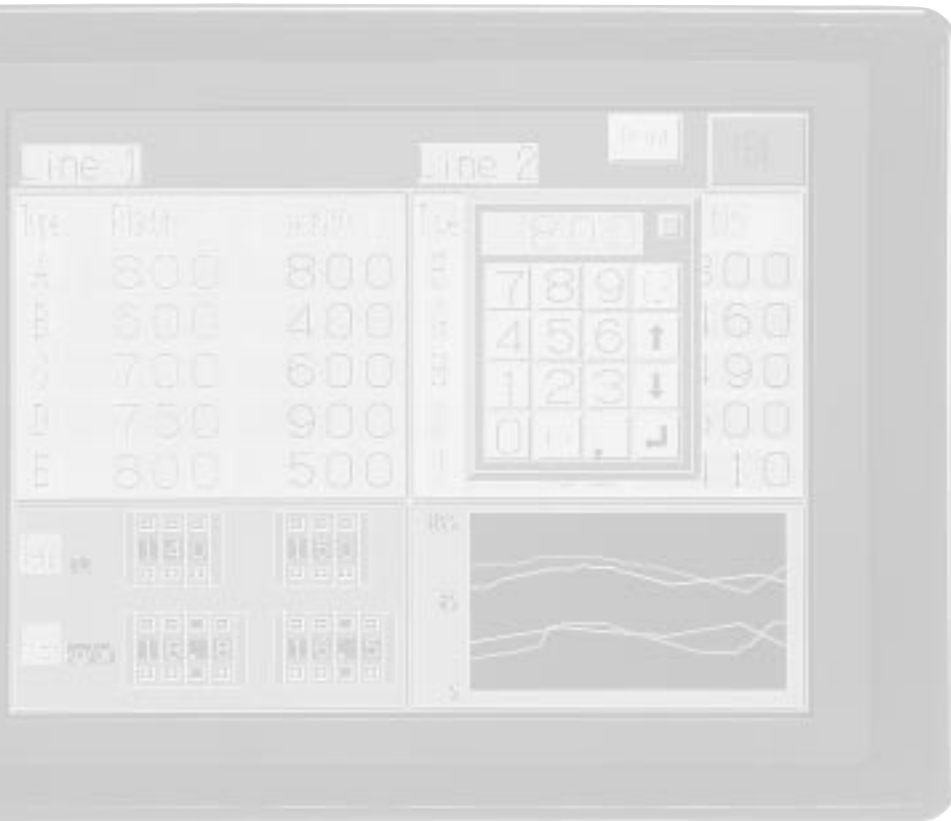
| | |
|---|----------------|
| 9-9 pin 50cm (1.6 ft) NT-PLC Communication Cable | C200H-CN510-EU |
| 9-9 pin 3m (9.8 ft) NT-PLC Communication Cable | C200H-CN320-EU |
| 9-9 pin 5m (16.4 ft) NT-PLC Communication Cable | C200H-CN520-EU |
| 9-25 pin 50cm (1.6 ft) NT-PLC Communication Cable | C200H-CN519-EU |
| 9-25 pin 3m (9.8 ft) NT-PLC Communication Cable | C200H-CN329-EU |
| 9-25 pin 5m (16.4 ft) NT-PLC Communication Cable | C200H-CN529-EU |
| C200H 30cm (11.8 in) I/O Connecting Cable | C200H-CN311 |
| C200H 70cm (2.3 ft) I/O Connecting Cable | C200H-CN711 |
| C200H 2m (6.6 ft) I/O Connecting Cable | C200H-CN221 |
| C200H 5m (16.4 ft) I/O Connecting Cable | C200H-CN521 |
| C200H 10m (32.8 ft) I/O Connecting Cable | C200H-CN131 |

Manuals

| | |
|-------------------------|-----------|
| NT600S Operation Manual | V022-E3-1 |
|-------------------------|-----------|

Additional Information

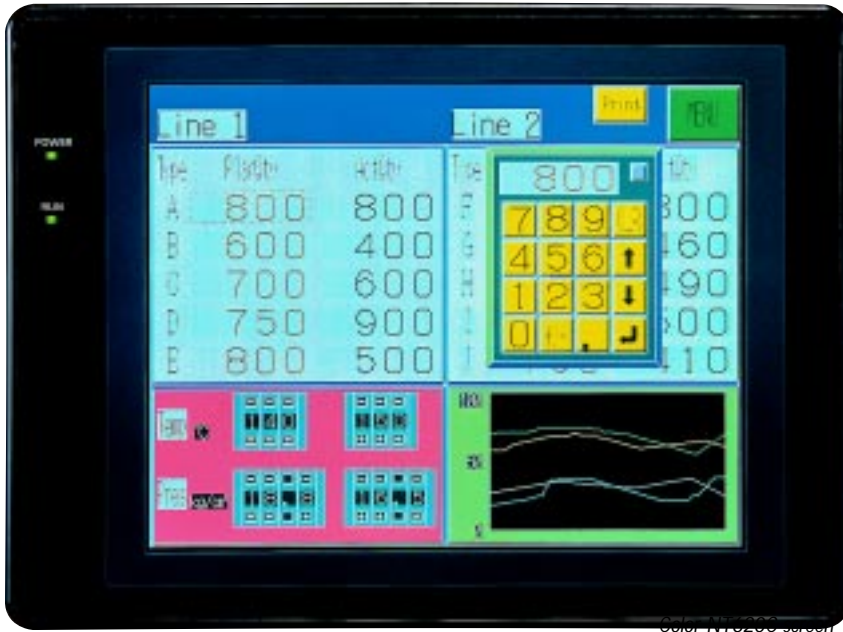
| Related NT600S Info | Page# |
|---------------------|-------|
| Software | 7 |
| Applications | 4 |
| Communications | |
| Host Link | 30 |
| NT Link | 31 |
| C200H Interface | 33 |



MULTIFUNCTION
FULLY-GRAPHIC
TOUCH SCREEN PANEL

FEATURES:

- 9.7" color STN LCD touch screen or 9" electroluminescent display
- Battery-packed real-time clock
- Printer port
- 1 MB memory
- Host link/NT link (1:1/1:N)
- NEMA 4
- Replaceable backlight on LCD
- Black or ivory front bezel



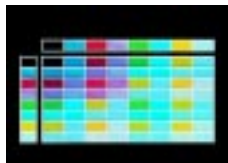
Color, Memory and Size — the big three in operator interface terminals and the NT620C has them all. A fully graphic eight-color STN LCD terminal, 1 MB of memory and a large touch screen allow you easy, on-site access to important information. Screens are clear and colorful, making images easily identifiable. Our top-

of-the-line operator interface terminal also comes in an electroluminescent model. This EL screen has an extra-wide viewing angle that lets you see it from a distance. No need to go all the way to the screen to get



Electroluminescent screen

a reading, just a quick glance will give you the information you need — fast.



8-color variations displayed on the NT620C screen

SPECIFICATIONS

| Display | |
|----------------------|---|
| Type | Backlit STN LCD or Electroluminescent (EL) |
| Size | 9.7" LCD or 9" EL |
| Resolution | 640 x 480 pixels LCD or 640 x 400 pixels EL |
| Touch cells | 768 LCD or 512 EL |
| Viewing Angle | Left/Right ±30° LCD or Left/Right ±80° EL |
| Electrical | |
| Power required | 24 VDC |
| Power consumed | 30 W or less on LCD or 25 W or less on EL |
| Environmental | |
| Operating temp | 0-+40°C (+32°-+104°F) LCD 0-+45°C (+32°-+113°F) EL |
| Storage temp | -20-+60°C (-4°-+140°F) LCD -20-+70°C (-4°-+158°F) EL |
| Humidity | 35-85% non-condensing |
| Ratings | NEMA 4 |
| Approvals | UL / CSA / CE |
| Dimensions of LCD | 275 _w x196 _H x76.8 _D mm 10.83 _w x7.72 _H x3.02 _D in |
| Dimensions of EL | 275 _w x192 _H x71 _D mm 10.83 _w x7.56 _H x2.80 _D in |
| Weight | 2.0 kg (4.41 lbs) |
| Display Capabilities | |
| Memory | 1 MB LCD or 512 K EL |
| Communication | Host Link / NT Link(1:1/1:N) |
| Real-time clock | Yes |
| Graphic Capabilities | |
| Freeform drawing | ■ |
| Bitmap | ■ |
| Tiling | ■ |
| Thumbwheel | ■ |
| Numeric keypad | ■ |
| History recording | ■ |
| Bar graph | ■ |
| Text and numeric | ■ |
| Custom graphics | ■ |

Time on your hands.

With this high resolution panel's built-in real-time clock and myriad of communication possibilities, you gain hands-on control of your plant operation. The battery-backed real-time clock allows you to maintain a history of errors, alarm messages or production counts — a valuable aid in machine analysis. And hard copies of the screen may be printed, even during operation. You can easily display bar charts, broken line graphs and thumbwheel switches. With broken line graphs, the interval on the horizontal axis can be set without restriction, and the set values on the vertical axis can be changed even during operation. Thumbwheel switches let you quickly input numerical values directly into the PLC without using a sequence program — a real time saver. Bitmap images can save you time too. Use them for graphically displaying anything from lamps and touch switches to company logos.



Use pop-up windows to display numeric and character input keys and help messages.

interval on the horizontal axis can be set without restriction, and the set values on the vertical axis can be changed even during operation. Thumbwheel switches let you quickly input numerical values directly into the PLC without using

a sequence program — a real time saver. Bitmap images can save you time too. Use them for graphically displaying anything from lamps and touch switches to company logos.

Low maintenance, high quality.

Built tough and water resistant, the NT620S/620C stands up to harsh environments. Water and oil are no match for this terminal which meets NEMA 4 standards, even without a protective cover. The NEMA 4 rating ensures it will function in water wash down environments. This gives you more location choices when installing your



Replaceable backlight

terminal. And because the LCD screen comes with a replaceable backlight, maintenance is simple. The NT620S/620C also meets UL/CSA/CE requirements.

Quick connection capabilities.

Communication between operation site and PLC is as simple as the touch of a screen. By connecting the NT620S/620C with a PLC using the Host Link or NT Link communication method, touch switch status, messages, numeric values, and control information can be sent to and received back from the PLC with changes immediately registered on the LCD/EL display. Fast updates and quick response times are guaranteed.

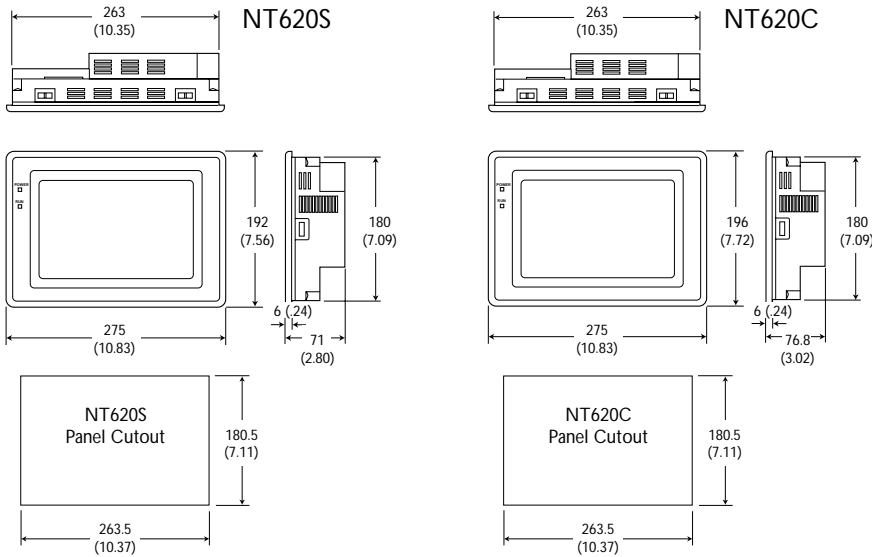
The NT620S/C now has NT Link 1:N capabilities for connecting multiple operator interfaces to select PLC CPU ports. With Memory Link, the NT620S/C offers more communications capability than ever before. When using a Memory Link, communication with an NT620S/C is executed using RS-232C/422A communication from the host. Both Memory Link and NT Link are enabled using the appropriate system installer.

Less time on design.

Quickly create graphics, touch switches, and entire programs with Omron's NT Series Support Tool. Our easy-to-use software provides drawing tools similar to those found in commercial drawing packages. This gives seasoned designers all the options they need to create sophisticated graphics yet it's simple enough even for beginners to use in quick screen creation.

DIMENSIONS

mm (in)



ORDERING INFORMATION

Display

| | |
|---|-----------------|
| 9.7" 8-color Backlit LCD Touch Screen - Ivory | NT620C-ST141-E |
| 9.7" 8-color Backlit LCD Touch Screen - Black | NT620C-ST141B-E |
| 9" Electroluminescent Touch Screen - Ivory | NT620S-ST211-E |
| 9" Electroluminescent Touch Screen - Black | NT620S-ST211B-E |

Software

| | |
|--|------------------|
| NT Series Support Tool for NT11S/NT20/30/600/620 | NT-ZJ3AT1-EV1 |
| System Installer for Host Link, NT Link(1:1/1:N) | NT620-ZS3AT-EV1 |
| System Installer for Memory Link | NT620-ZS3AT-EMV1 |
| Programming Cable 9-9 pin | C200H-CN229-EU |
| Programming Cable 9-25 pin | C200H-CN220-EU |

Accessories

| | |
|-------------------------------------|--------------|
| Backlight for NT620C | NT620C-CFL01 |
| Chemical Resistant Cover for NT620C | NT620C-KBA01 |
| Chemical Resistant Cover for NT620S | NT600S-KBA01 |
| Protective Sheet for NT620C | NT620C-KBA04 |
| Protective Sheet for NT620S/600S | NT600M-KBA04 |
| Battery | 3G2A9-BAT08 |
| RS232/422 Converter | NT-AL 001 |
| NT to Printer Cable | NT-CNT121 |

Cables

| | |
|---|----------------|
| 9-9 pin 50cm (1.6 ft) NT-PLC Communication Cable | C200H-CN510-EU |
| 9-9 pin 3m (9.8 ft) NT-PLC Communication Cable | C200H-CN320-EU |
| 9-9 pin 5m (16.4 ft) NT-PLC Communication Cable | C200H-CN520-EU |
| 9-25 pin 50cm (1.6 ft) NT-PLC Communication Cable | C200H-CN519-EU |
| 9-25 pin 3m (9.8 ft) NT-PLC Communication Cable | C200H-CN329-EU |
| 9-25 pin 5m (16.4 ft) NT-PLC Communication Cable | C200H-CN529-EU |

Manuals

| | |
|------------------------------|-----------|
| NT620S/620C Operation Manual | V033-E3-2 |
|------------------------------|-----------|

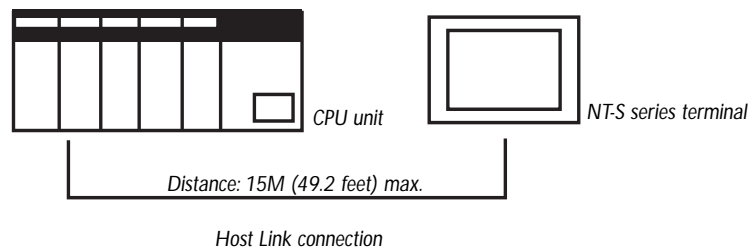
Additional Information

| Related NT620S/620C Info | Page # |
|--------------------------|--------|
| Software | 7 |
| Applications | 4 |
| Communications | |
| Host Link | 30 |
| NT Link | 31 |

| COMMUNICATION METHOD | NT11S | NT20S | NT30 NT30C | NT600S | NT620S NT620C |
|-------------------------|-------|-------|---------------|--------|------------------|
| HOST LINK | ■ | ■ | ■ | ■ | ■ |
| NT LINK 1:1 | ■ | ■ | ■ | ■ | ■ |
| NT LINK 1:N | | ■ | | ■ | ■ |
| MEMORY LINK | | | | | ■ |
| C200H DIRECT CONNECTION | | ■ | | ■ | |

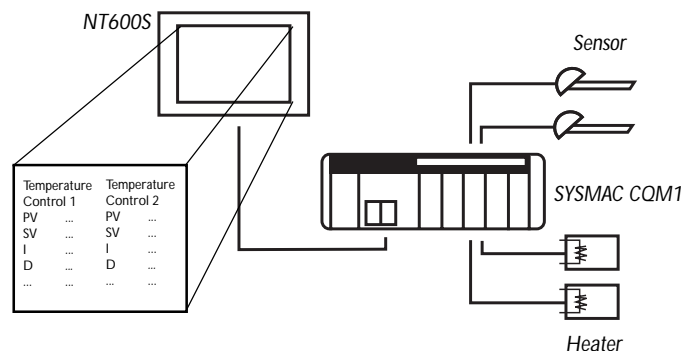
HOST LINK

The Host Link communication method is built into our full line of Omron NT Series Terminals. Communication baud rates range from 9,600 to 19,200 bps with a typical response speed of .5 seconds. With Host Link, you can connect multiple terminals to a single PLC (up to six on the C200Hα system) gaining greater accessibility and multiple views of your larger applications.



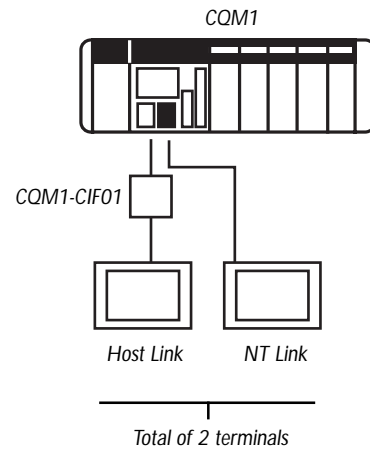
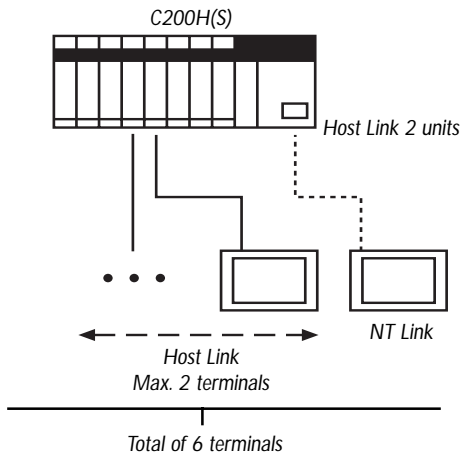
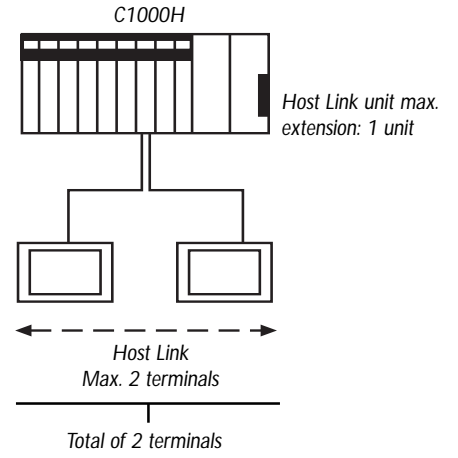
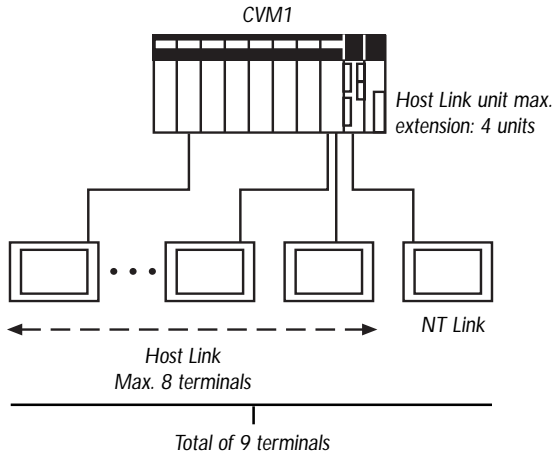
APPLICABLE PLCS

- SYSMAC-
 - CVM1/CV Series (EV1, 2 versions only)
 - C200HX/HG/HE
 - C200HS / C200H
 - CQM1 (except CPU11)
 - CPM1 with CIF cable
 - CPM1A with CIF cable
 - SRM1
 - C-SERIES Hostlink Unit



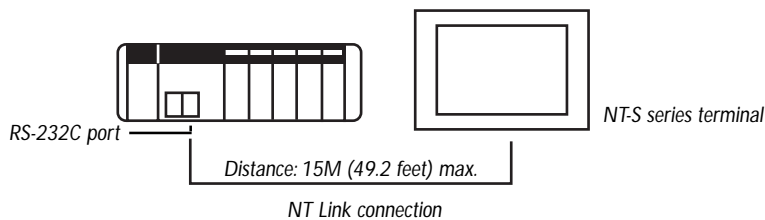
Host Link Application

OPERATOR INTERFACE-PLC HOST LINK 1:N CONNECTION EXAMPLES

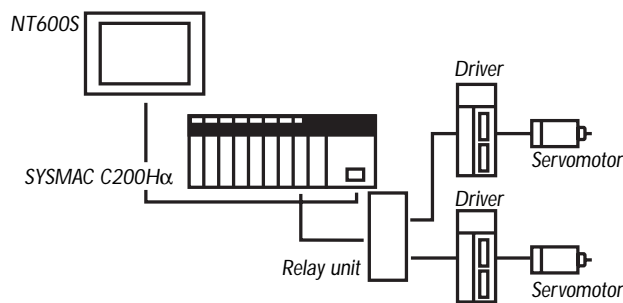


NT LINK 1:1

Omron's NT Link communication method can rapidly transmit large amounts of data. With response speeds of up to .2 seconds, NT Link displays important information fast. When you need a guarantee of high speed data delivery on your time critical applications, use NT Link, Omron's fastest communication method for operator interface terminals.



NT Link connection



NT Link Application

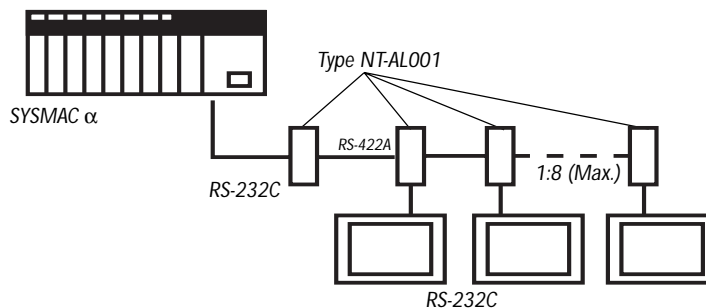
APPLICABLE PLCS

SYSMAC-

- CVM1/CV Series (EV1, 2 versions only)
- C200HX/HG/HE (excluding C200HE-CPU11)
- C200HS-CPU3_ / CPU2_
- CQM1-CPU4_-E
- CPM1 with CIF cable
- CPM1A with CIF cable
- SRM1

NT LINK 1:N

Omron's NT Link 1:N connection allows links to multiple machines. The number of connections possible varies depending on the SYSMAC α model. By installing a communication board in the option slot of the CPU unit, it is possible to connect up to three NT Link (1:N) systems, comprising a total of 24 operator interface units.

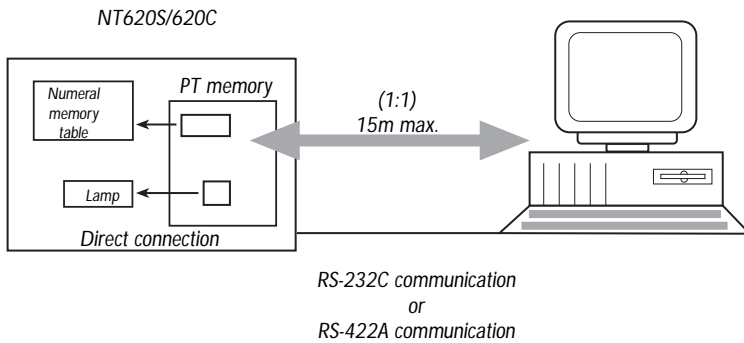


The NT-AL001 RS-232C/422A converter unit is sold separately. When connecting the C200HX/HG/HE and NT-AL001, use a converter unit whose lot number is 15Y5 or higher.

APPLICABLE PLCS

- C200HE (except CPU11) : 4 units per port
- C200HX/HG : 8 units per port

MEMORY LINK (NT620S/C)

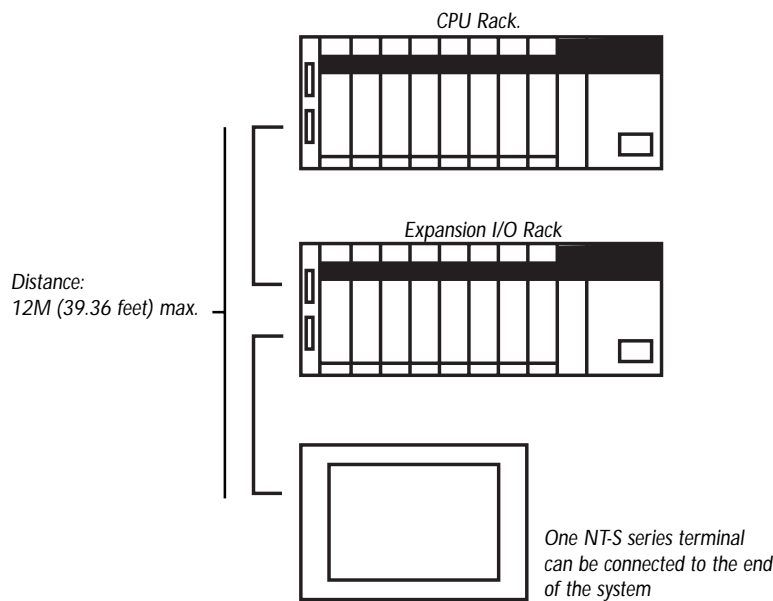


The Memory Link is a new communications method which allows use of the direct connection function from an Omron third party host with RS-232C/422A communications. Memory Link achieves faster data throughput by allocating a virtual memory area in the operator interface. The functions are equivalent to those of other direct connection methods.

APPLICABLE HOSTS

- Single Board Computer
- Personal Computer
- PLC

C200H DIRECT CONNECTION

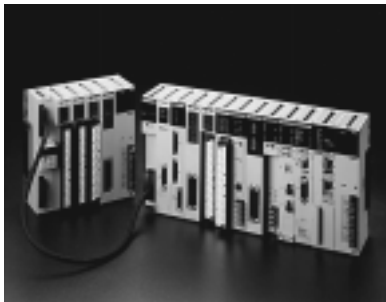


C200H Direct Communication

Available on the NT20S and NT600S terminals, the C200H Interface Backplane direct connection method allows you to communicate directly to the expansion port of the C200H backplane. With this direct connection method freeing up the CPU's communication ports and slots, there's no need to purchase additional host link modules. And because this communication method is compatible with Host Link communication, you can connect multiple terminals to a single PLC.

APPLICABLE PLCS

- C200HX/HG/HE
- C200H(S)
- C20H Series



LARGE RACK PLC SYSTEMS

Omron's CV Series Programmable Controllers combine powerful, high-speed industrial control with the industry's most advanced data communications capability enabling you to manage factory control and production data in a single platform. The CV's extensive selection of more than 80 standard and special application modules and family compatibility with other Omron PLCs make it an ideal solution for long term factory automation expansion.



MID-SIZED PLC SYSTEMS

The C200H Alpha PLC is the most recent enhancement of Omron's advanced line of powerful and versatile mid-sized PLCs. With its large rack capability in a mid-sized package, the C200H Alpha offers the industry's best value in machine control, networking and data communications. Designed to be closely integrated with other Omron PLCs, the C200H Alpha provides an ideal platform for advanced cell or machine control while minimizing training, peripheral and maintenance costs.



SMALL AND MICRO PLCS

Omron virtually pioneered the small and micro PLC market and has set the standard in cost/performance value ever since. The remarkably versatile CQM1, and the cost effective CPM1/A let you manage high-speed control and inspection applications in space-conscious packages. Continuing Omron's pioneering spirit, the new SRM1 Micro Network Controller offers the industry's first networkable micro PLC. The compact (about the size of a pack of cigarettes) CPU controls its versatile I/O terminals via high-speed twisted pair wires and provides unmatched flexibility and cost savings for small machine control.



PROGRAMMING TOOLS AND PERIPHERALS

All Omron PLCs may be programmed using SYSMAC CPT, a single easy-to-use Windows-based package that simplifies program development, documentation, maintenance and troubleshooting. Powerful ON- and OFF-line editing and monitoring tools give you unparalleled access to your program for quick troubleshooting and modification.

MEASUREMENT/INSPECTION SENSORS
AND MACHINE VISION

Omron's measurement/inspection sensors and machine vision systems let you automatically build quality in-line rather than manually inspect it in at the end of the production run. These highly accurate, non-contact sensors offer micron level resolution to detect proper position, displacement, size, hole depth, surface defects and many other parameters. All are designed for easy integration with other Omron products.



AUTO ID/ELECTRONIC DATA TRACKING

Omron Automatic Identification products let you better manage production by enabling you to electronically track the status of products and assemblies throughout the production process. Radio Frequency Identification (RFID) products act like a portable, updateable database – truly enabling the "Lots of One" or "Mass Customization" potential for manufacturing. For basic identification purposes, Omron's Bar Code Readers offer unmatched flexibility and functionality. All are designed for easy integration with other Omron products.



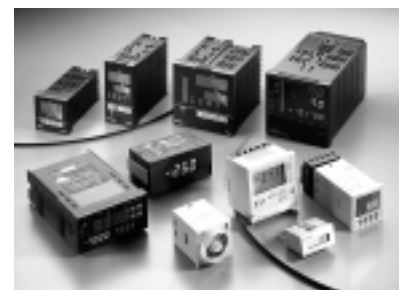
SENSORS, LIMIT SWITCHES AND ENCODERS

No other automation company offers a wider range of problem-solving sensing solutions than Omron. Choose from photoelectric, proximity, capacitive, limit switches, incremental and absolute encoders and more. All are available in a wide range of sizes, housing styles, sensing ranges, and mounting options. Advanced versions include built-in diagnostics and alarm outputs that automatically detect failing sensing conditions and send alarm signals.



TEMPERATURE AND PROCESS CONTROLLERS, TIMERS,
COUNTERS AND DIGITAL PANEL METERS

Omron's advanced, yet easy-to-use temperature and process controllers pack extraordinary functionality and high accuracy into standard 1/4-, 1/8- and 1/16-DIN sizes. Timers and counters provide easy, low-cost interface for machine operators and come in a variety of styles, including multifunction and analog types. A family of high visibility digital panel meters provides simple displays to advance multi-output functionality.



AMERICAS

USA

Omron Electronics, Inc.
One East Commerce Drive
Schaumburg, Illinois 60173
Phone: (800) 55-OMRON
Fax: (847) 843-7787

Atlanta

Omron Electronics
Technology Park
655 Engineering Drive, Suite 130
Norcross, Georgia
Phone: (770) 798-6780
Fax: (770) 798-6788

Boston

Omron Electronics
65 Boston Post Road
Marlborough, MA 01752
Phone: (508) 303-8880
Fax: (508) 303-8881

Chicago

Omron Electronics
1300 Basswood, Suite 300
Schaumburg, IL 60173
Phone: (847) 843-7910
Fax: (847) 882-2192

Cincinnati

Omron Electronics
8160 Corporate Park Drive, Suite 100
Cincinnati, Ohio 45242
Phone: (513) 469-6766
Fax: (513) 469-5737

Dallas

Omron Electronics
1501 LBJ Freeway, Suite 160, MS109
Dallas, Texas 75234
Phone: (972) 241-2597
Fax: (972) 247-2436

Los Angeles

Omron Electronics
750 The City Drive South, Suite 120
Orange, California 92868
Phone: (714) 621-3455
Fax: (714) 937-6366

Philadelphia

Omron Electronics
180 Sheree Boulevard, Suite 3800
Exton, Pennsylvania 19341-1280
Phone: (610) 524-1897
Fax: (610) 524-5631

BRAZIL

Omron Electronica do Brasil, Ltda.
Rua Palacete Das Aguias
154 Vila Alexandria CEP 04635-020
São Paulo-SP, Brazil
Phone: 55-11-536-0211
Fax: 55-11-531-1890

CANADA

Omron Canada, Inc.
885 Milner Avenue
Scarborough, Ontario M1B 5V8
Phone: (416) 286-6465
Fax: (416) 286-6648

Ontario

Omron Kitchener
60 New Dundee Road
Kitchener, Ontario N2G 3W5
Phone: (519) 896-1144
Fax: (519) 896-0333

British Columbia

Omron Canada
1600 Derwent Way, Unit 3
Annacis West Business Centre
Delta, British Columbia V3M 6M5
Phone: (604) 522-8855
Fax: (604) 522-9306

Alberta

Omron Canada
3204 74th Street
Edmonton, Alberta T6K 1J6
Phone: (403) 440-0818
Fax: (403) 462-9327

Quebec

Omron Canada
1825 32nd Avenue
Lachine, Quebec H8T 3J1
Phone: (514) 636-6676
Fax: (514) 636-2959

Omron Canada
3107 Des Hotels #10
Ste-Foy, Quebec G1W 4W5
Phone: (418) 658-2735
Fax: (418) 658-9072

EUROPE

AUSTRIA

Omron Electronics G.m.b.H.
Altmannsdorfer Strasse 142
Vienna, Austria, A-1231
Phone: 43-1-801-90-0
Fax: 43-1-804-48-46

BELGIUM

Omron Electronics N.V./S.A.
Stationsstraat 24
Groot-Bijgaarden, Belgium, B-1702
Phone: 32-2-466-2480
Fax: 32-2-466-0687

CZECH REPUBLIC

Omron Electronics Spol. S.R.O.
Srobarova 6
CZ-101 00 Prague 10
Phone: 42-2-67311-254
Fax: 42-2-740333

DENMARK

Omron Electronics A/S
Odinsvej 15
Glostrup, Denmark, DK-2600
Phone: 45-43-44-00-11
Fax: 45-43-44-02-11

FINLAND

Omron Electronics O.Y.
Metsanpojankuja 5
Espoo Finland FIN-02130
Phone: 358-0-5024-210
Fax: 358-0-5024-2150

FRANCE

Omron Electronics S.a.r.l.
BP 33, 19 Rue Du Bois Galon
Fontenay-Sous-Bois/Cedex
Paris, France, F-94121
Phone: 33-1-4974-7000
Fax: 33-1-4876-2795

GERMANY

Omron Electronics G.m.b.H.
Itterpark 2-4
Hilden, Düsseldorf, Germany 40724
Phone: 49-2103-203-3
Fax: 49-2103-203-400

GREECE

Kalamarakis & Sapounas, S.A.
10 Great Kydonion Street
Athens, Greece, GR-111 44
Phone: 30-1-2235-511/512/513
Fax: 30-1-2027-500

HUNGARY

Omron Electronics Kft.
Rokolya u. 1-13
Budapest, Hungary, H-1131
Phone: 36-1-129-5492
Fax: 36-1-129-8454

IRELAND

Omron Electronics Ltd.
Delaire Building Sallynoggin Road
Dun Laoghaire Co. Dublin, Ireland
Phone: 353-1-2897382
Fax: 353-1-2840267

ITALY

Omron Electronics S.r.l.
Viale Certosa 49
Milano, Italy, 20149
Phone: 39-2-32-68-1
Fax: 39-2-32-51-54

NETHERLANDS

Omron Electronics B.V.
Wegalaan 61
JD Hoofddorp, Netherlands, NL-2132
Phone: 31-2356-81-100
Fax: 31-2356-81-188

NORWAY

Omron Electronics Norway A/S
Ole Deviks Vei 4
Oslo, Norway, N-0611
Phone: 47-22-65-75-00
Fax: 47-22-65-83-00

POLAND

Omron Electronics
ulitsa Fortaczna 5
Warsaw, Poland PL 01 540
Phone: 48-22-39-2935
Fax: 48-22-39-2325

PORTUGAL

Omron Electronics LDA
Edificio Omron
Rue de Sao Tome, Lote 131
Prior Velho, Portugal 2685
Phone: 351-1-941-7599
Fax: 351-1-941-7890

RUSSIA (CIS)

Omron Electronics
Brigadiersky Pereulok 6
Moscow, Russia 107 005
Phone: 7-0-95-265-90-25
Fax: 7-0-95-261-42-16

SPAIN

Omron Electronics, S.A.
Calle Arturo Soria 95
Madrid, Spain, E-28027
Phone: 34-1-3-77-9000
Fax: 34-1-3-77-9037

SWEDEN

Omron Electronics A.B.
Norgegatan 1
Kista, Sweden S-164 28
Phone: 46-8-632-35-00
Fax: 46-8-632-35-10

SWITZERLAND

Omron Electronics A.G.
Gwerbestrassse 7
Cham, Switzerland 6330
Phone: 41-42-431-313
Fax: 41-42-431-345

TURKEY

Omron Electronics Ltd.
Acibadem Caddesi
Palmiye Sokak 12
Kadikoy-Istanbul, Turkey, TR 81020
Phone: 90-216-326-2980/2981/2982
Fax: 90-216-326-2979

U.K.

Omron Electronics Ltd.
1 Apsley Way
Staples Corner, London NW2 7HF
England
Phone: 44-181-450-4646
Fax: 44-181-450-8087

MIDDLE EAST & AFRICA

BAHRAIN

Ebrahim Al-Shakar & Sons
P.O. Box 5344
Manama, Bahrain
Phone: 973-255472/251160
Fax: 973-277894

EGYPT

Union
19 Gezirat Al Arab Str.
Al Mohandeseen, Giza, Egypt
Phone: 202-3497808
Fax: 202-3490864

IRAN

Control Sazeh Co. Ltd.
P.O. Box 15855-354
Karimkhan Zand Ave. No. 191
3rd Floor No. 33
Tehran, Iran
Phone: 9821-8801340
Fax: 9821-8890436

ISRAEL

Ateka Ltd.
23 Hayetzira Street P.O. Box 3120
Kyriat Aryeh, Petach-Tikva, Israel 49512
Phone: 9732-939-2333
Fax: 9723-924-3273

JORDAN

Gedco
Fawzi Al-Muliqi 4th Circle
Beside the Moroccan Embassy
Amman, Jordan
Phone: 962-6-641607
Fax: 962-6-642547

KENYA

Switchgear & Controls, Ltd.
P.O. Box 42503
Nairobi, Kenya 19865
Phone: 254-2-540381
Fax: 254-2-544788

KUWAIT

Ammar & Partners Electrical Co.
P.O. Box 1871
Safat, Kuwait 13019
Phone: 965-48301222
Fax: 964-4841818

SAUDI ARABIA

Tayseer Al-Sheikh Corporation
Prince Majed Street
P.O. Box 19865
Jeddah, Saudi Arabia 21445
Phone: 966-2-6717285
Fax: 966-2-6731910

SOUTH AFRICA

Yelland Control
P.O. Box 10993
Johannesburg, South Africa
Phone: 2711-824-3460
Fax: 2711-827-9861

SYRIA

Ohaara Data Engineering
Surian Djadideh, Zuhour P.O. Box 4410
Aleppo, Syria
Phone: 963-21-219449
Fax: 963-21-244733

TUNISIA

Axafrica
10 Avenue Habib Bourguiba
Tunis, Tunisia 1001
Phone: 216-1-344-103
Fax: 216-1-343-527

UNITED ARAB EMIRATES

Deira General Marketing
P.O. Box 11370,
Dubai, U.A.E.
Phone: 9714-624111
Fax: 9714-213942

OCEANIA & ASIA

AUSTRALIA

Omron Electronics Pty. Ltd.
Omron House
71 Epping Road
Locked Bag No. 18
North Ryde, Sydney
New South Wales 2113, Australia
Phone: 61-2-9878-6377
Fax: 61-2-9878-6981

CHINA

Omron China Co. Ltd.
5/F Chang Fu Gong Office Bldg.
A26 Jian Guo Men Wai Da Jie
Chao Yang District, Beijing, China
Phone: 86-10-513-0674
Fax: 86-10-513-9236

HONG KONG

Omron Electronics Asia Ltd.
Unit 601-9 The Gateway, Tower 2
25 Canton Road
Tsimshatsui, Kowloon, Hong Kong
Phone: 852-2375-3827
Fax: 852-2375-1475

INDONESIA

Omron Asia Pacific PTE Ltd.
Indonesia Representative Office
Danamon Aetna Life Tower, Ste. 1602
JL Jend. Sudirman Kav 45-46
Jakarta 12930, Indonesia
Phone: 62-21-577-0838
Fax: 62-21-577-0840

JAPAN

Omron Corporation
FA Division H.Q.
14F Nissei Building
1-6-3 Osaki
Shinagawa-ku Tokyo
Phone: 03-3779-9038
Fax: 03-3779-9041

KOREA

Omron Korea Co. Ltd.
3F New Seoul Bldg.#618-3
Sin Sa-Dong
Kang Nam-Gu, Seoul, Korea
Phone: 82-2-511-8071
Fax: 82-2-512-0874

MALAYSIA

Omron Electronics Sales & Service
(M) SDN BHD
10th Floor Block B Menara PKNS-PJ
No. 17 Jalan Yong Shook Lin
46050 Petaling Jaya
Selangor Darul Ehsan, Malaysia
Phone: 03-7547323
Fax: 03-7546618

NEW ZEALAND

Omron Electronics Ltd.
65 Boston Road
Private Bag 92620
Symonds Street, Auckland, New Zealand
Phone: 09-3584400
Fax: 09-3584411

SINGAPORE

Omron Asia Pacific PTE Ltd.
139 Joo Seng Road
#04-01 ATD Centre
Singapore 368362
Phone: 65-2830006
Fax: 65-2850682
Telex: RS 23403

TAIWAN

Omron Taiwan Electronics Inc.
6F, Home Young Bldg., No. 363
Fu-Shing N. Road
Taipei, Taiwan, R.O.C.
Phone: 886-2-7153331
Fax: 886-2-7126712

THAILAND

Omron Electronics Co. Ltd.
Rasa Tower, 20th Floor
555 Phaholyothin Road
Chatuchak, Bangkok 10900, Thailand
Phone: 02-9370500
Fax: 02-9370501

VIETNAM

Omron Asia Pacific PTE Ltd.
Hanoi Representative Office
104 Tran Hung Dao Street
RM 2.4.A. Hanoi, Vietnam
Phone: 04-8221273 \ 8221294
Fax: 04-8221278

Omron's global sales and technical support network helps you maintain imported equipment with Omron controls, and lets you confidently ship machinery with Omron control systems anywhere in the world.

The organizations listed here do not include the local distributors in each region. Please phone or fax the main office for additional information.