

Typical Applications

- Home Security Systems
- Remote Lighting Controls
- Remote Gate Controls
- Asset Tracking
- Sensor Monitoring

Features

- The Module's Frequency is from UHF (ASK) 280~433.92 MHz
- High Sensitivity Passive Design
- 4800 B/S Baseboard Data Rate.
- Simple to apply with Low External Parts count
- Low Supply Voltage: VCC= 5 Vdc
- ASK Data Shaping Comparator Included



Description

The RCR-433-MPR is a miniature receiver module that receives On-off keyed (OOK) modulation signal and demodulated to digital signal for the next decoder stage. Local Oscillator is made of L/C structure. The result is excellent performance in simple-to-use. The RCR-433-MPR is designed specifically for unlicensed remote control and wireless security receiver operating at 433 MHz in the USA under FCC Part 15 regulation.

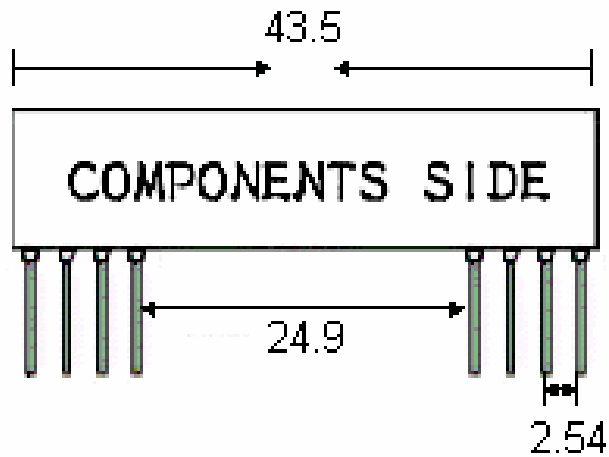
Item No.	Parameter	Description	Value			UNIT
			MIN	TYP	MAX	
1.	Operating Radio Frequency		280` 433.92			MHz
2.	Sensitivity	Vcc 5.0, AT25C BER= 3/100		-105		dBm
3.	Modulation			ASK		
4.	Power Supply		4.75	5	5.25	v
5.	Supply Count			4	5	mA
6.	Data Rate			3		
7.	Operating Temperature		-40		+85	°C
8.	RF Bandwidth – 3dB			4		MHz

Document Control

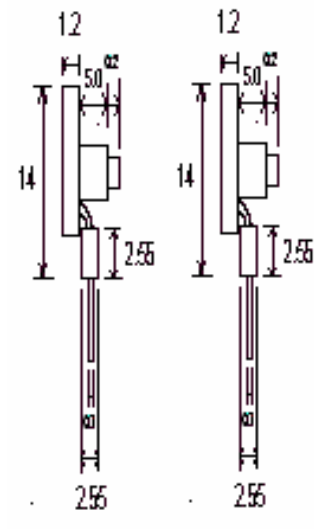
Created By	TJ Everett	1/20/07
Engineering Review		
Marketing Review		
Approved - Engineering		
Approved - Marketing		

Revision History

Revision	Author	Date	Description
1.0	TJE	1/20/07	Document Created



Mechanical Drawing



Pinout Diagram

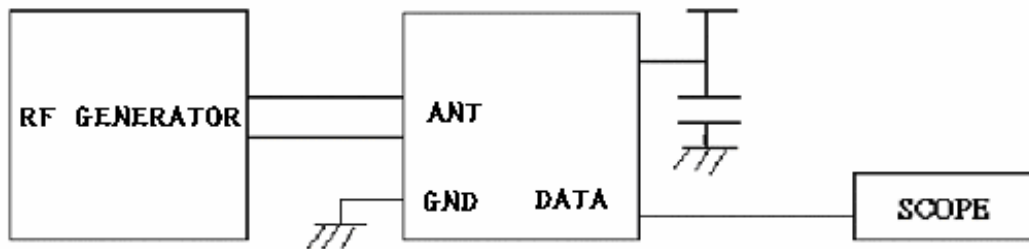
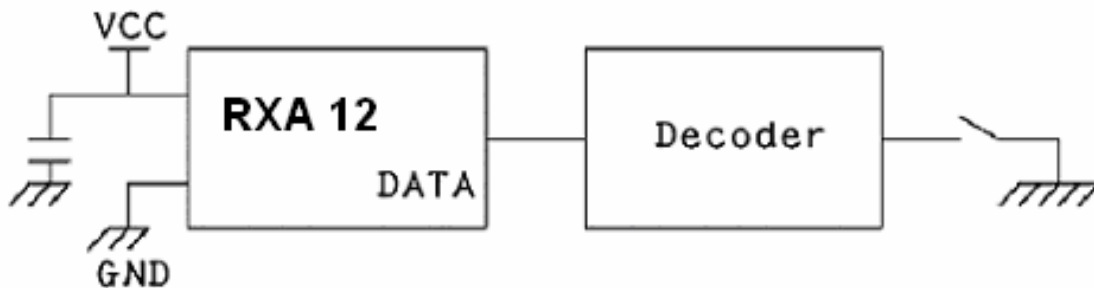
Absolute Maximum Ratings

Rating	Value	Units
Power Supply and All Input Pins	-0.3 to +12	VDC
Storage Temperature	-50 to +100	°C
Soldering Temperature (10 sec)	350	°C
Industrial Temperature	-40 to +85	°C

Pin Description

Pin	Name
1	GND
2	DIGITAL OUTPUT
3	LINEAR OUTPUT
4	VCC
5	VCC
6	GND
7	GND
8	ANT



Typing Test Circuit**Typical Receiver Application**

Notes:

1. Encoder : HT12D/F , PTC (2262)
2. Antenna : Length = 22.6cm for 315MHz

Ordering Information

PRODUCT	ORDER CODE
RCR-433-MPR	RCR-433-MPR

Radiotronics Inc.

905 Messenger Lane
Moore, OK 73160

(405) 794-7730
(405) 794-7477 (Fax)

www.radiotronics.com
sales@radiotronics.com