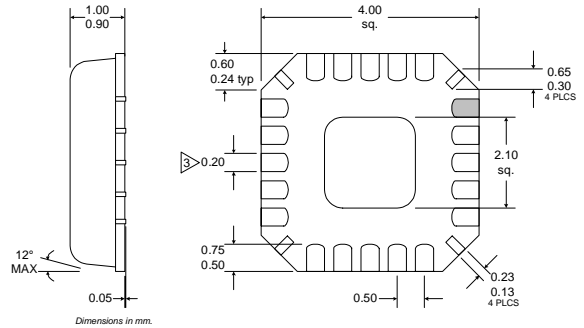


Typical Applications

- CDMA PCS Handsets
- GPS Receiver
- W-CDMA Handsets
- General Purpose Downconverter
- Commercial and Consumer Systems
- Portable Battery-Powered Equipment

Product Description

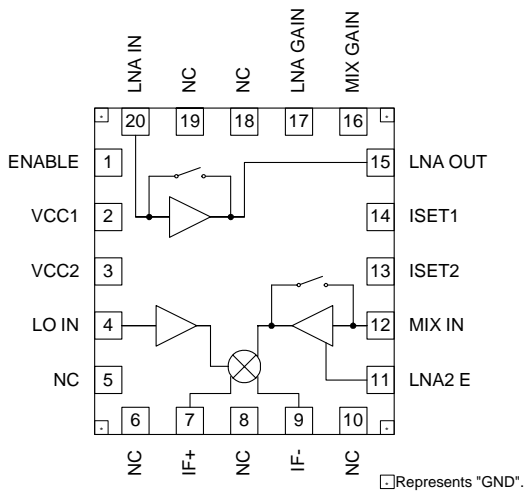
The RF2460 is a receiver front-end designed for the receive section of PCS CDMA and W-CDMA applications. It is designed to amplify and downconvert RF signals while providing 29dB of stepped gain control range and features digital control of LNA gain, mixer gain, and power down mode. A further feature of the chip is adjustable IIP3 of the LNA and mixer using an off-chip current setting resistor. Noise Figure, IP3, and other specs are designed to be compatible with the IS-98B for CDMA PCS communications. The IC is manufactured on a SiGeHBT process and packaged in a 20-pin leadless chip carrier with an exposed die flag.



- NOTES:**
- 1 Shaded lead is Pin 1.
 - 2 Pin 1 identifier must exist on top surface of package by identification mark or feature on the package body. Exact shape and size is optional.
 - 3 Dimension applies to plated terminal: to be measured between 0.02 mm and 0.25 mm from terminal end.
 - 4 Package Warpage: 0.05 mm max.
 - 5 Die Thickness Allowable: 0.305 mm max.

Optimum Technology Matching® Applied

- | | | |
|-------------------------------------|--|--------------------------------------|
| <input type="checkbox"/> Si BJT | <input type="checkbox"/> GaAs HBT | <input type="checkbox"/> GaAs MESFET |
| <input type="checkbox"/> Si Bi-CMOS | <input checked="" type="checkbox"/> SiGe HBT | <input type="checkbox"/> Si CMOS |



Functional Block Diagram

Package Style: LCC, 20-Pin, 4 x 4

Features

- Complete Receiver Front-End
- Stepped LNA/Mixer Gain Control
- Adjustable LNA/Mixer Bias Current
- 24dB Gain and 2.2dB Noise Figure at Maximum Cascade Gain

Ordering Information

- | | |
|-------------|---|
| RF2460 | PCS CDMA Low Noise Amplifier/Mixer 1500MHz to 2200MHz Downconverter |
| RF2460 PCBA | Fully Assembled Evaluation Board |

RF Micro Devices, Inc.
7628 Thorndike Road
Greensboro, NC 27409, USA

Tel (336) 664 1233
Fax (336) 664 0454
<http://www.rfmd.com>

Absolute Maximum Ratings

Parameter	Rating	Unit
Supply Voltage	-0.5 to +5.0	V _{DC}
Input LO and RF Levels	+6	dBm
Operating Ambient Temperature	-40 to +85	°C
Storage Temperature	-40 to +150	°C



Caution! ESD sensitive device.

RF Micro Devices believes the furnished information is correct and accurate at the time of this printing. However, RF Micro Devices reserves the right to make changes to its products without notice. RF Micro Devices does not assume responsibility for the use of the described product(s).

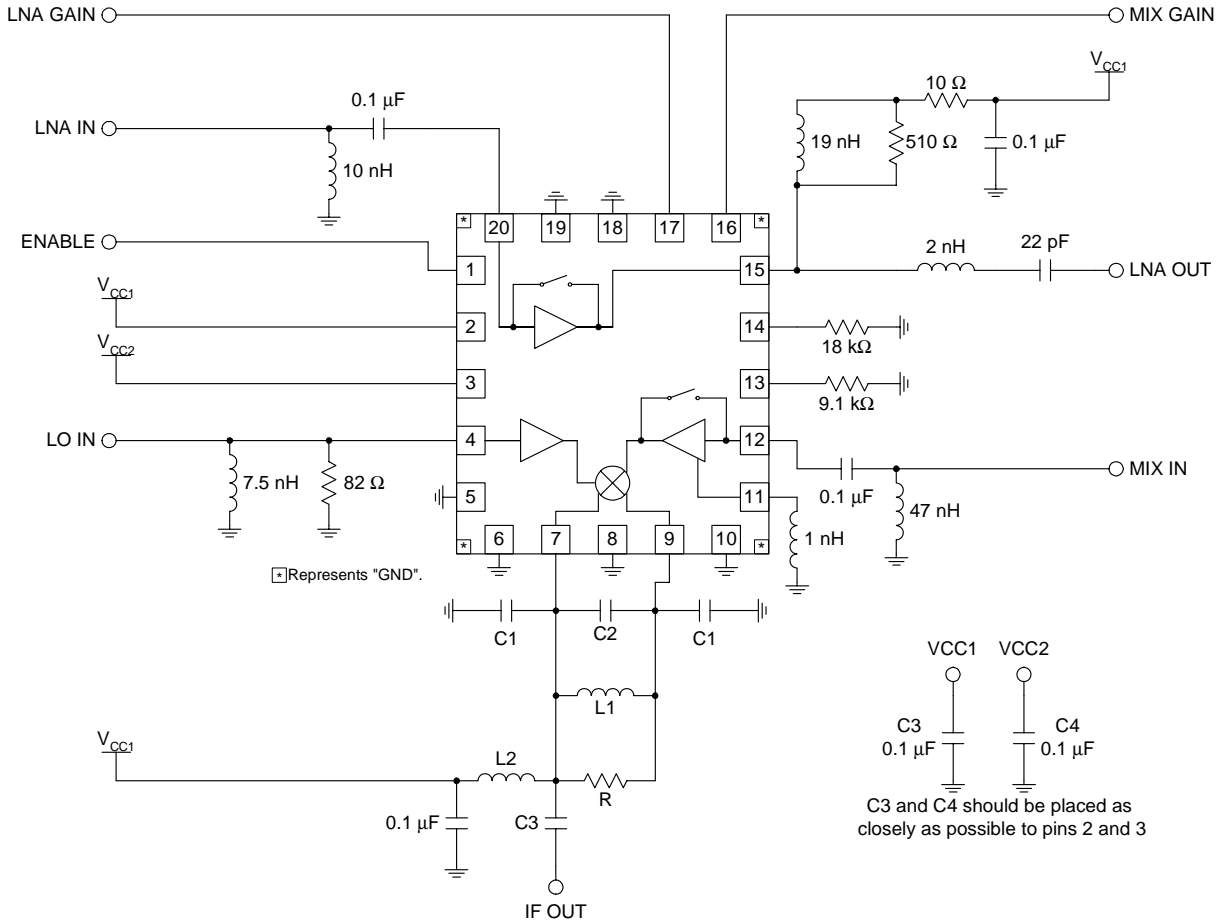
Parameter	Specification			Unit	Condition
	Min.	Typ.	Max.		
Overall					T = 25°C, V _{CC} = 2.75V, RF = 1.96GHz, LO = 2170MHz @ -7dBm, IF = 210MHz
RF Frequency Range		1500 to 2200		MHz	LNA, mixer and preamp for bias circuitry.
LO Frequency Range		1200 to 2600		MHz	
IF Frequency Range		0.1 to 250		MHz	
Bias Current		2.5	2.8	mA	
LNA					IIP3 is adjustable (see plots for setting). ISET1 (pin 14) external resistor sets current consumption and performance.
Gain	13.5	15.0		dB	
Noise Figure		1.4	1.8	dB	
Input IP3	+6.0	+7.0		dBm	
Input VSWR			2:1		
Output VSWR			2:1		
Current at Input IP3		7	7.5	mA	
LNA Bypass					1 kΩ balanced load.
Gain	-6	-5		dB	
Noise Figure		5	5.5	dB	
Input IP3	+23.0	+26.0		dBm	
Input VSWR			2:1		
Output VSWR			2:1		
Current		0		mA	
Mixer - High Gain Mode					IIP3 is adjustable (see plots for setting). ISET2 (pin 13) external resistor sets current consumption and performance.
Gain	10	12		dB	
Noise Figure		6.5	7.5	dB	
Input IP3	+3.0	+4.0		dBm	
RF to IF Isolation		>45		dB	
Input VSWR			2:1		
Output VSWR			2:1		
Current		12	13	mA	
Mixer - Low Gain Mode					1 kΩ balanced load.
Gain	0	1.5		dB	
Noise Figure		15	16	dB	
Input IP3	+13.0	+14.0		dBm	
RF to IF Isolation		>45		dB	
Input VSWR			2:1		
Output VSWR			2:1		
Current		7.5	8.0	mA	

Parameter	Specification			Unit	Condition
	Min.	Typ.	Max.		
GPS - LNA Gain Noise Figure Input IP3 Current at Input IP3		16 1.4 +7.0 7		dB dB dBm mA	IIP3 is adjustable. ISET1 (pin 14) external resistor sets current consumption and performance.
GPS - Mixer Gain Noise Figure Input IP3 Current at Input IP3		17 6 -5.0 16		dB dB dBm mA	IIP3 is adjustable. ISET1 (pin 14) external resistor sets current consumption and performance.
GPS - Cascaded Gain Noise Figure Input IP3 Current at Input IP3		31 2.0 -1.0 23		dB dB dBm mA	IIP3 is adjustable. ISET1 (pin 14) external resistor sets current consumption and performance.
Local Oscillator Input Input Level LO to RF Isolation LO to LNA Isolation LO Current Buffer	-10	-7 >40 >60 4.5	0 5.0	dBm dB dB mA	Any gain state. Any gain state. I _{CC2} when LO signal is present
Cascade - LNA High/Mixer High Gain Noise Figure Input IP3 Total Current		24 2.2 -8.0 26		dB dB dBm mA	LNA High Gain/Mixer High Gain Assuming 3dB loss of filter IF 1, 1 kΩ balanced load. Single sideband.
Cascade - LNA High/Mixer Low Gain Noise Figure Input IP3 Total Current		13.5 5.3 +1.0 21		dB dB dBm mA	LNA High Gain/Mixer Low Gain Assuming 3dB loss of filter IF 1, 1 kΩ balanced load. Single sideband.
Cascade - LNA Low/Mixer High Gain Noise Figure Input IP3 Total Current		4 14.5 +12.0 19		dB dB dB mA	LNA Low Gain/Mixer High Gain Assuming 3dB loss of filter IF 1, 1 kΩ balanced load. Single sideband.
Cascade - LNA Low/Mixer Low Gain Noise Figure Input IP3 Total Current		-6.5 23 +20.5 14		dB dB dB mA	LNA Low Gain/Mixer Low Gain Assuming 3dB loss of filter IF 1, 1 kΩ balanced load. Single sideband.
Power Supply Voltage	2.7	3.0	3.3	V	

Pin	Function	Description	Interface Schematic
1	ENABLE	Power down pin. A logic "low" turns the part off. A logic "high" (>1.6V) turns the part on.	
2	VCC1	Supply Voltage for the LNA, mixer, bias, and logic circuitry. External RF and IF bypassing is required. The trace length between the pin and the bypass capacitors should be minimized. The ground side of the bypass capacitors should connect immediately to ground plane.	See pin 20.
3	VCC2	Supply Voltage for the LO buffer amplifier. External RF and IF bypassing is required. The trace length between the pin and the bypass capacitors should be minimized. The ground side of the bypass capacitors should connect immediately to ground plane.	
4	LO IN	Mixer LO Input Pin.	
5	NC	No connection. For isolation purposes, this pin is connected to the ground plane.	
6	NC	No connection. For isolation purposes, this pin is connected to the ground plane.	
7	IF+	CDMA IF Output pin. This is a balanced output. The internal circuitry, in conjunction with an external matching/bias inductor to V_{CC} , sets the operating impedance. This inductor is typically incorporated in the matching network between the output and IF filter. The part is designed to drive a 1k Ω load. Because this pin is biased to V_{CC} , a DC blocking capacitor must be used if the IF filter input has a DC path to ground. See Application Schematic.	
8	NC	No connection. For isolation purposes, this pin is connected to the ground plane.	
9	IF-	Same as pin 7, except complementary output.	See pin 6.
10	NC	No connection. For isolation purposes, this pin is connected to the ground plane.	
11	LNA2 E	Emitter for LNA2. Increasing the inductance on this pin will reduce the mixer gain, increase IP3 and noise figure.	
12	MIX IN	Mixer RF Input Pin. This pin is internally DC biased and should be DC blocked if connected to a device with DC present. External matching network sets RF and IF impedance for optimum performance.	
13	ISET2	This pin is used to set the bias current and IIP3 of the mixer amplifier using a resistor to ground. See plots for values and current settings.	
14	ISET1	This pin is used to set the bias current and IIP3 of the LNA amplifier using a resistor to ground. See plots for values and current settings.	
15	LNA OUT	LNA output pin. Open collector.	See pin 20.
16	MIX GAIN	CMOS compatible signal controlling mixer gain mode. Setting this signal high places the mixer in the high gain mode. Setting this signal low places the mixer in low gain mode by bypassing and shutting off the mixer buffer amplifier current.	
17	LNA GAIN	CMOS compatible signal controlling LNA gain mode. Setting this signal high places the LNA in the high gain mode. Setting this signal low bypasses the LNA and shuts off the LNA bias current.	
18	NC	No connection. For isolation purposes, this pin is connected to the ground plane.	
19	NC	No connection. For isolation purposes, this pin is connected to the ground plane.	

Pin	Function	Description	Interface Schematic
20	LNA IN	RF Input pin. This pin is internally matched for optimum noise figure from a 50Ω source.	
Pkg Base	GND	Ground connection. The backside of the package should be soldered to a top side ground pad which is connected to the ground plane with multiple vias.	

Application Schematic - US PCS



	C1 (pF)	C2 (pF)	C3 (pF)	L1 (nH)	L2 (nH)	R (Ω)
US PCS, IF = 210 MHz	4	3	6	82	110	4.7 k
Korean PCS, IF = 220 MHz	3.6	2	7	82	120	4.7 k
GPS, IF = 184 MHz	4	3	5	150	82	3 k
US PCS, IF = 184 MHz	8	3	6	82	110	4.7 k

Output Interface Network of the Mixer

L1, C1, C2, and R form a current combiner which performs a differential to single-ended conversion at the IF frequency and sets the output impedance. In most cases, the resonance frequency is independent of R and can be set according to the following equation:

$$f_{IF} = \frac{1}{2\pi\sqrt{\frac{L1}{2}(C_1 + 2C_2 + C_{EQ})}}$$

Where C_{EQ} is the equivalent stray capacitance and capacitance looking into pins 7 and 9. An average value to use for C_{EQ} is 2.5pF.

R can then be used to set the output impedance according to the following equation:

$$R = \left(\frac{1}{4 \cdot R_{OUT}} - \frac{1}{R_P} \right)^{-1}$$

where R_{OUT} is the desired output impedance and R_P is the parasitic equivalent parallel resistance of L1.

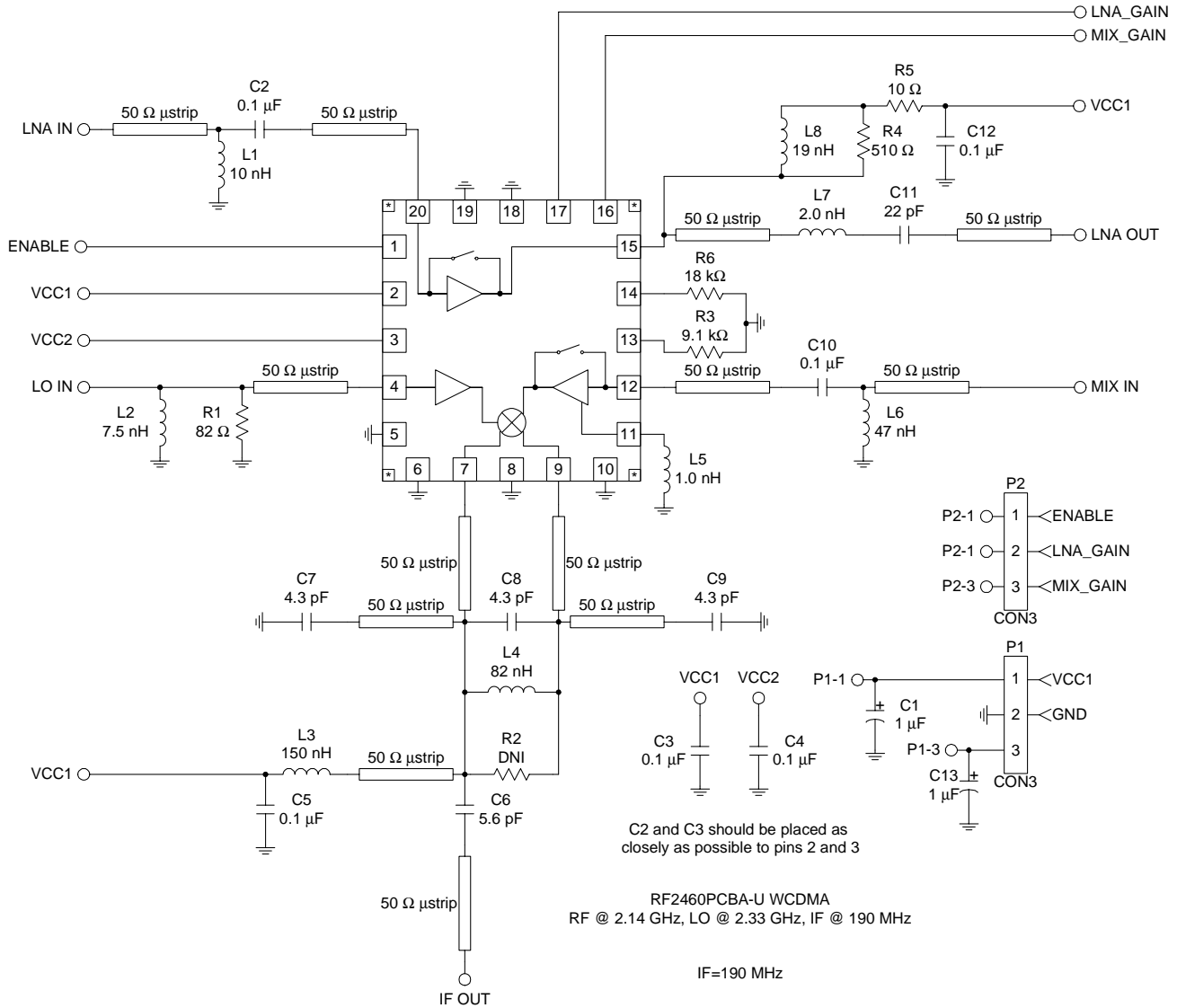
C_2 should first be set to 0 and C1 should be chosen as high as possible (suggested less than 20pF), while maintaining an R_P of L1 that allows for the desired R_{OUT} . If the self-resonant frequencies of the selected C1 produce unsatisfactory linearity performance, their values may be reduced and compensated for by including C2 capacitor with a value chosen to maintain the desired F_{IF} frequency.

L2 and C3 serve dual purposes. L2 serves as an output bias choke, and C3 serves as a series DC block.

In addition, L2 and C3 may be chosen to form an impedance matching network if the input impedance of the IF filter is not equal to R_{OUT} . Otherwise, L2 is chosen to be large (suggested 120nH) and C3 is chosen to be large (suggested 22nF) if a DC path to ground is present in the IF filter, or omitted if the filter is DC blocked.

Application Schematic - W-CDMA

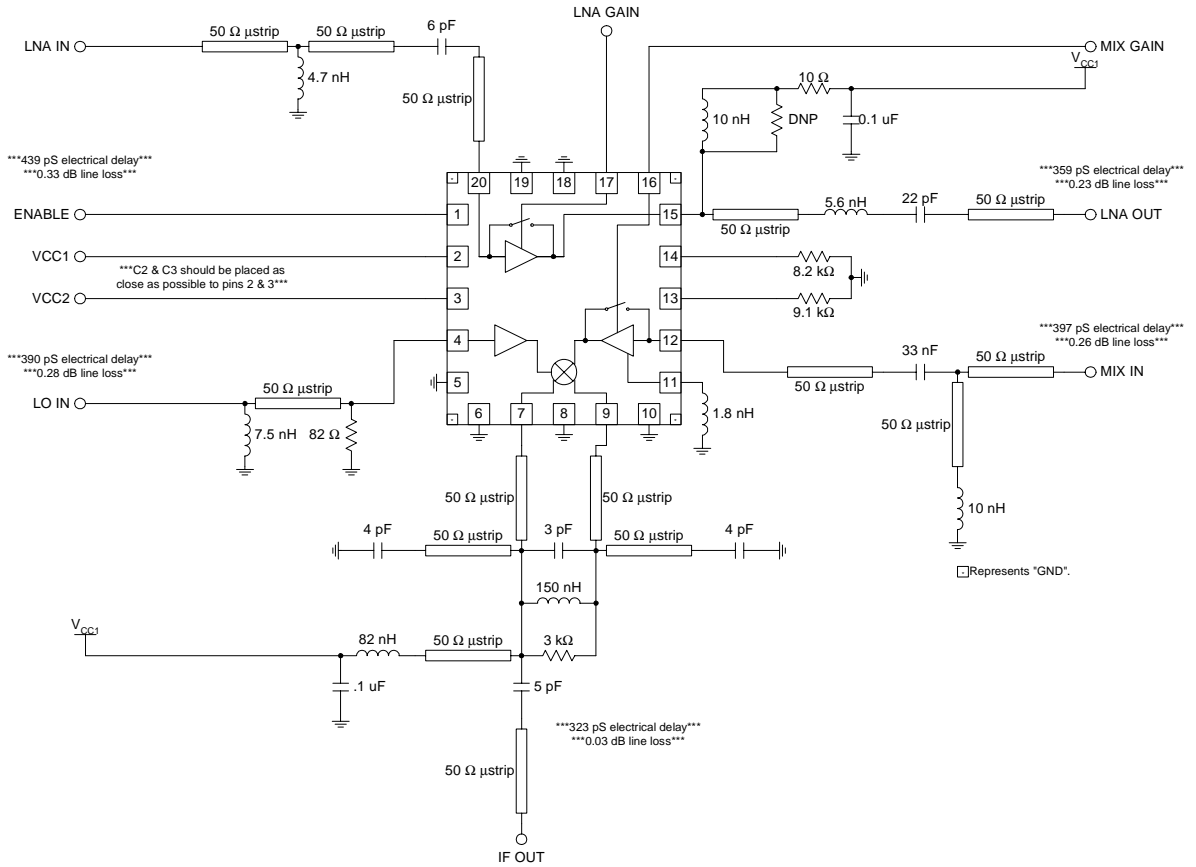
(See W-CDMA charts for lab measurements at the end of the data sheet)



FRONT-ENDS

Application Schematic - GPS

RF = 1575MHz, IF = 184MHz, LO = 1759MHz



Current Measurement

To measure only the current of the different circuitry in the evaluation board, use the following procedure.

First, replace the bias choke inductor at the output of the mixer (L3 for US-PCS) with a 1Ω resistor. The voltage across the resistor will represent the mixer current. Terminate all SMA connections at 50Ω.

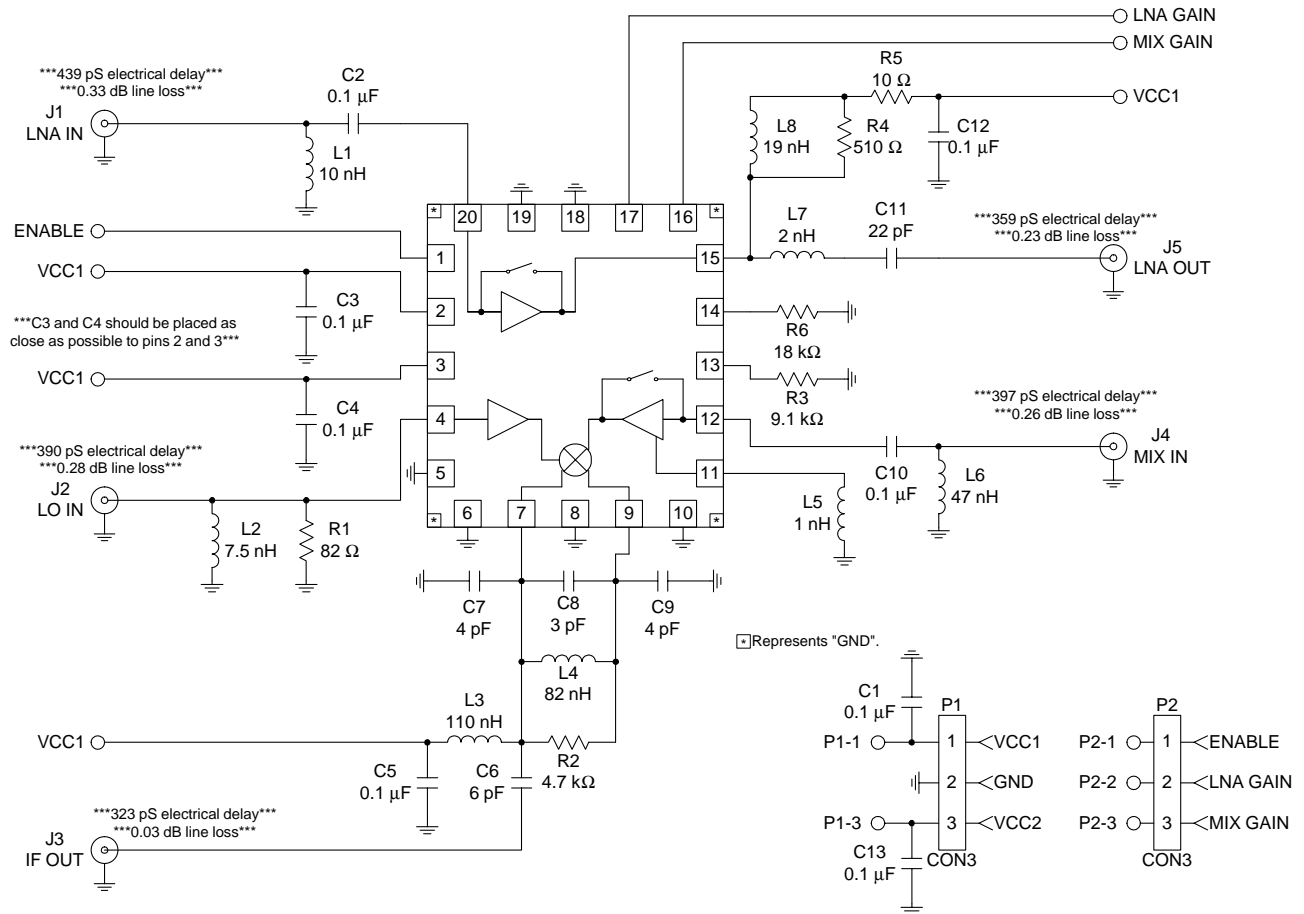
Second, follow the table below.

	CONDITION					
	Current (mA)	V _{CC1}	V _{CC2}	EN	LNA Gain	Mix Gain
I _{CC} Total	25.82	1	1	1	1	1
LNA Off	18.77	1	1	1	0	1
Mixer Preamp Off	14.28	1	1	1	0	0
V _{CC2} Off	10.05	1	0	1	0	0
Mixer Current	7.72	1	0	1	0	0

Therefore,

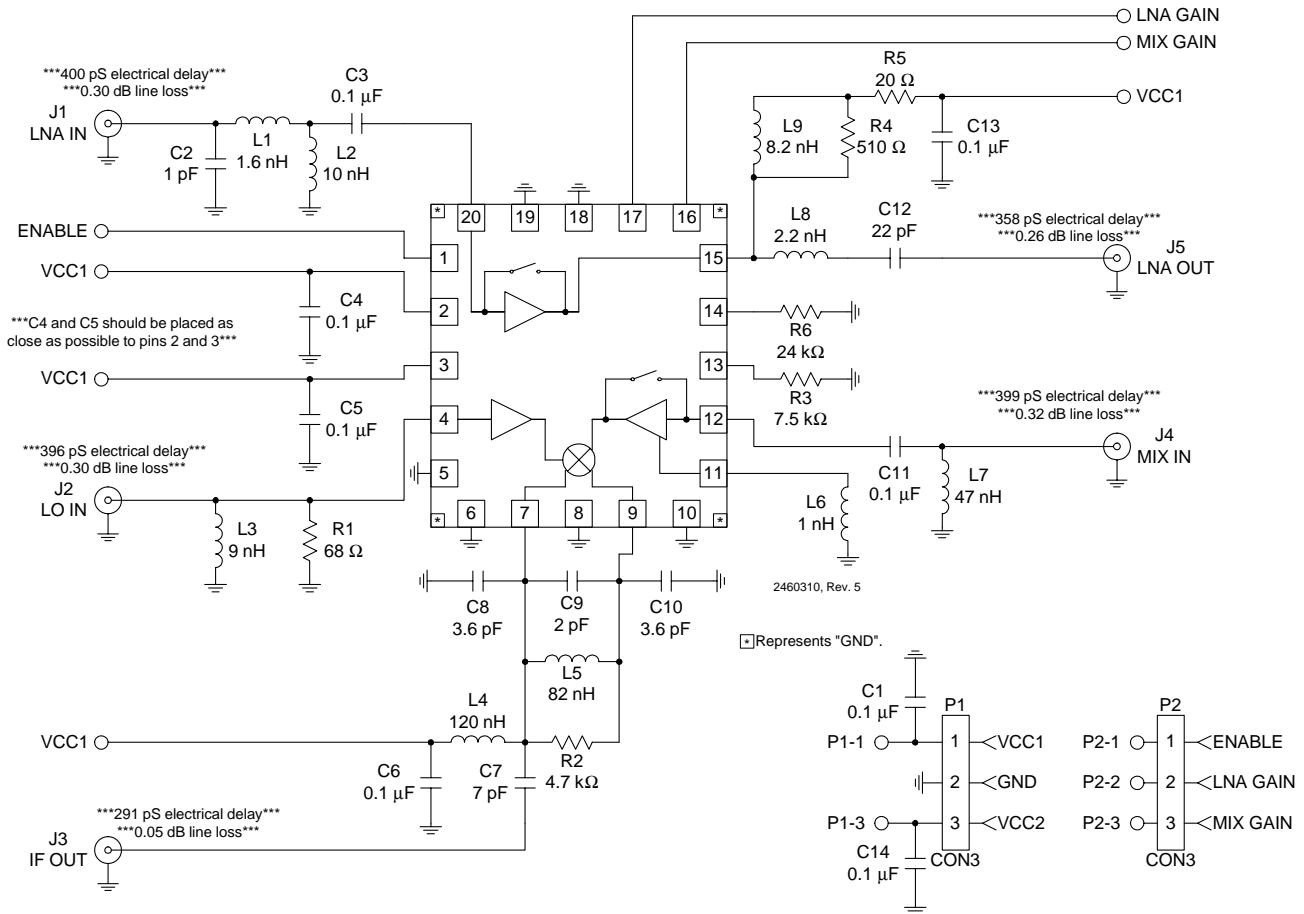
$$\begin{aligned}
 \text{LNA (Bypass)} &= (\text{Computer Simulation}) = 0\text{mA} \\
 \text{LNA (High Gain)} &= 25.82 - 18.77 = 7.05\text{mA} \\
 \text{Mixer (Preamp)} &= 18.77 - 14.28 = 4.49\text{mA} \\
 \text{Mixer} &= (\text{Measured}) = 7.70\text{mA} \\
 \text{Bias} &= 10.05 - 7.7 = 2.35\text{mA} \\
 \text{LO Circuitry (V}_{CC2}\text{)} &= 14.28 - 10.05 = 4.23\text{mA} \\
 &= \underline{\quad\quad\quad} 25.82\text{mA}
 \end{aligned}$$

Evaluation Board Schematic US-PCS, IF = 210MHz (Download [Bill of Materials](http://www.rfmd.com) from www.rfmd.com.)



FRONT-ENDS

Evaluation Board Schematic Korean-PCS, IF = 220MHz



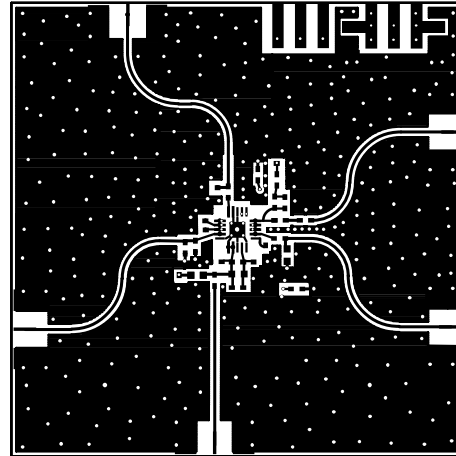
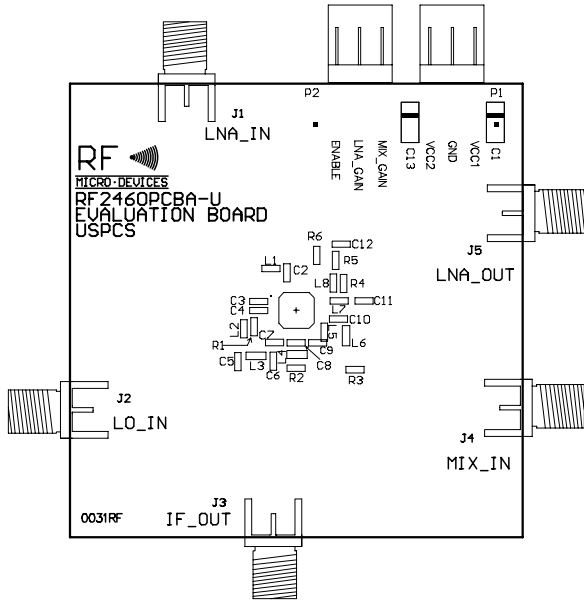
8

FRONT-ENDS

Evaluation Board Layout - US PCS
Board Size 2.0" x 2.0"
Board Thickness 0.034", Board Material FR-4, Multi-Layer

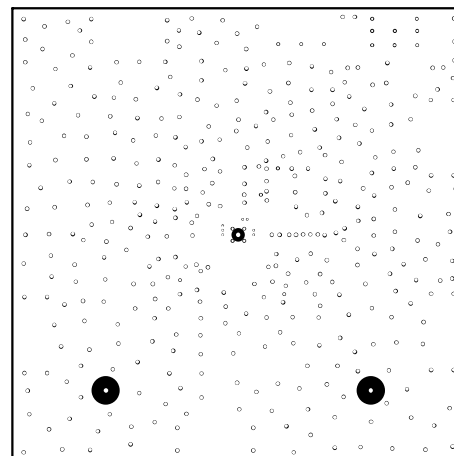
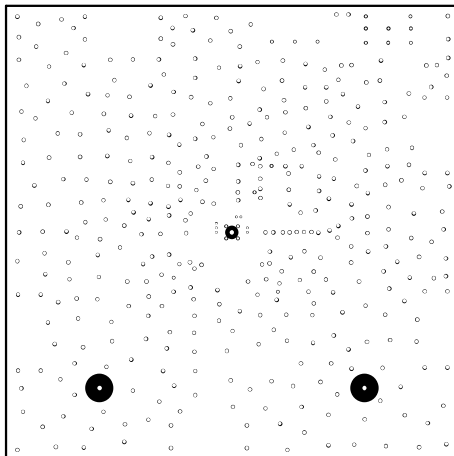
Assembly

Top

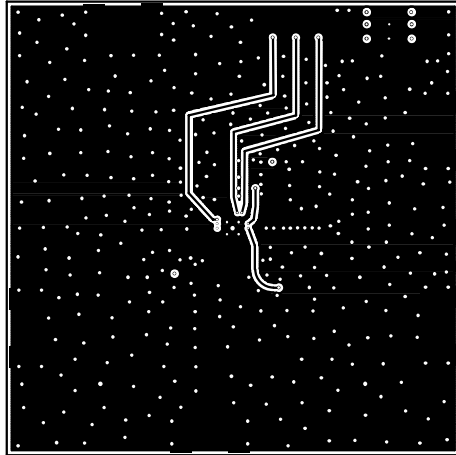


Power Plane 1

Power Plane 2



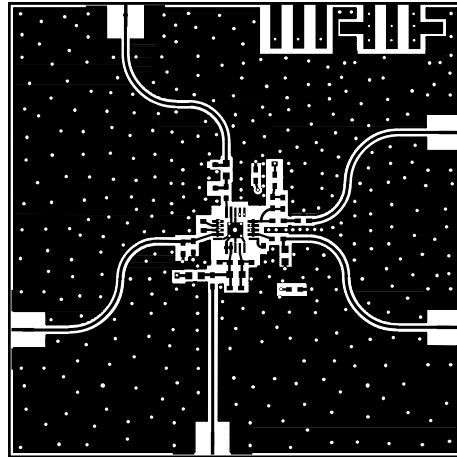
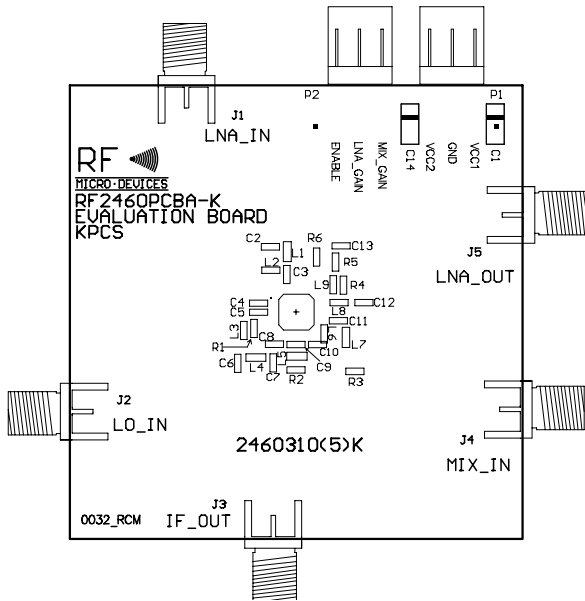
Back



Evaluation Board Layout - Korean PCS

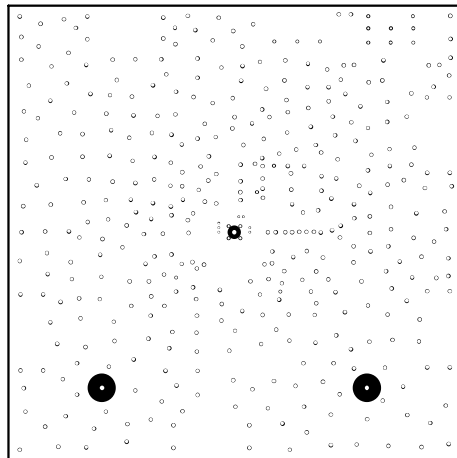
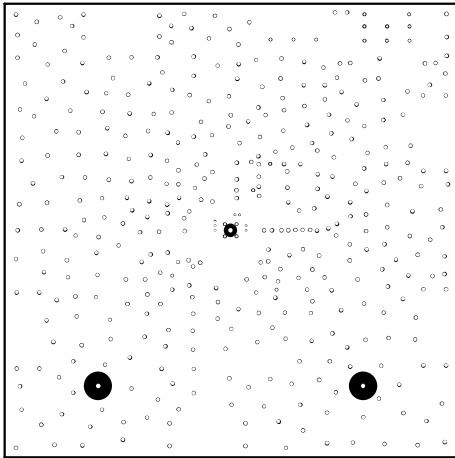
Assembly

Top

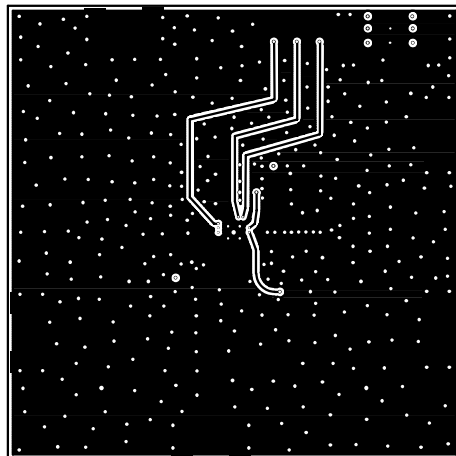


Power Plane 1

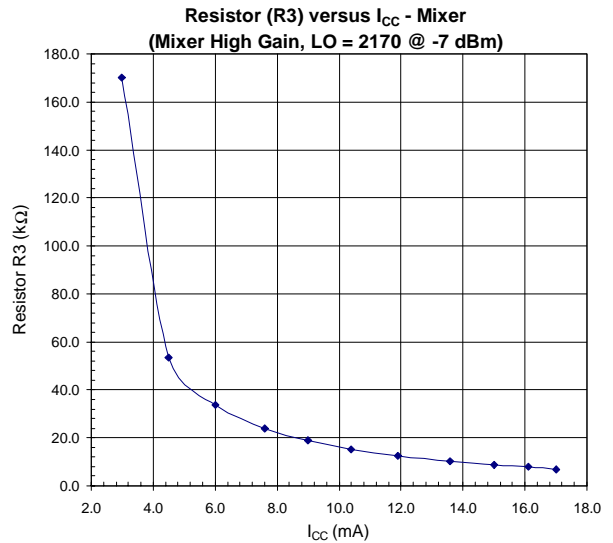
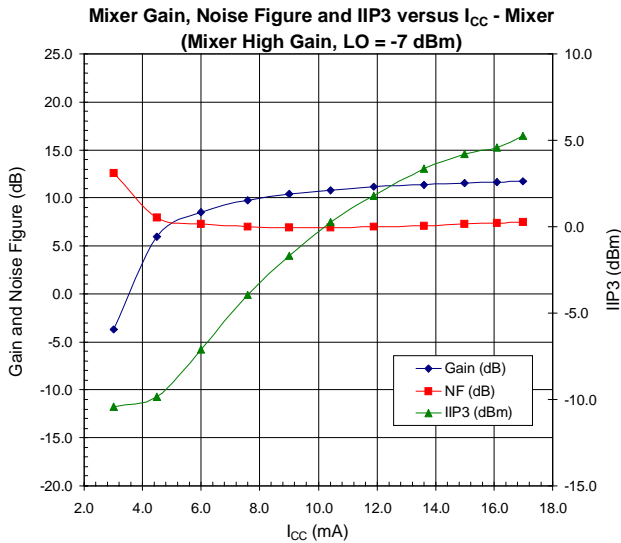
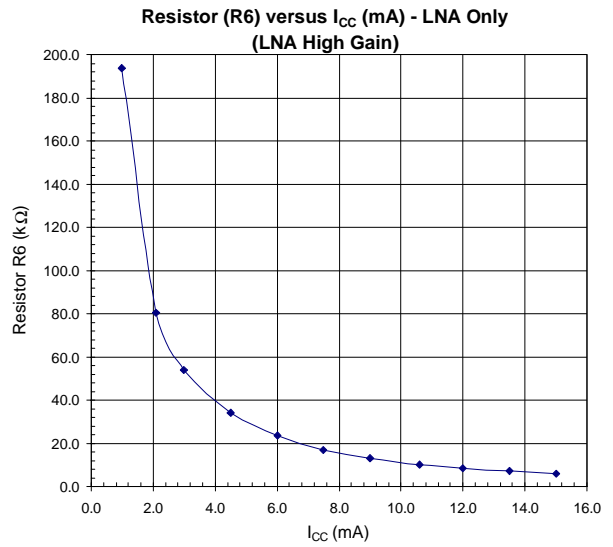
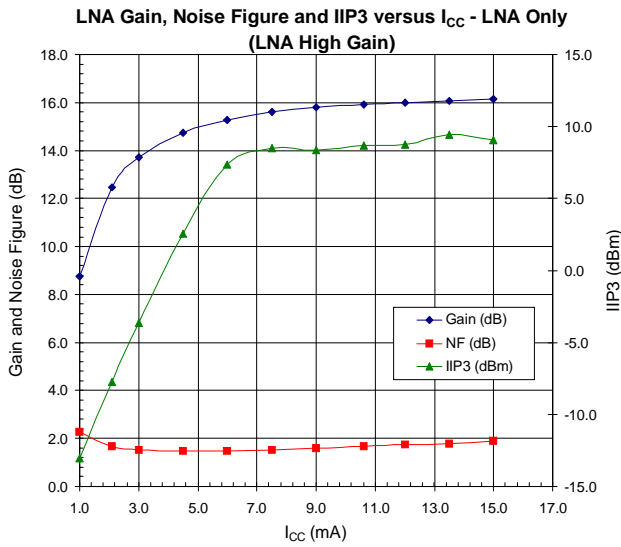
Power Plane 2



Back



US-PCS



8

FRONT-ENDS

Special Instructions (Board loss, taking into consideration description in the schematic)

LNA

$V_{CC1} = V_{CC2} = \text{Enable} = 2.75V$; Mix Gain = 0.0V

To measure I_{CC} LNA only:

LNA Gain was switched between 0V and 2.75V, and record the delta current.

Mixer

$V_{CC1} = V_{CC2} = \text{Enable} = \text{Mix Gain} = 2.75V$; LNA Gain = 0.0V

To measure I_{CC} Mixer (LNA should be in bypass mode and LO signal should be present):

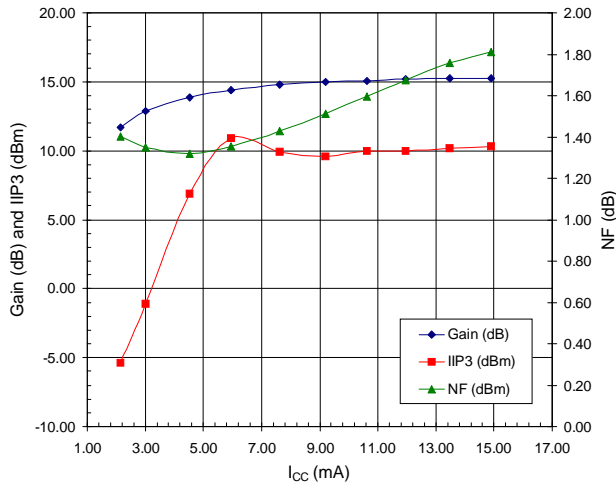
Total mixer current = I_{CC1}

V_{CC2} only affects LO current buffer and R6 doesn't affect the mixer current.

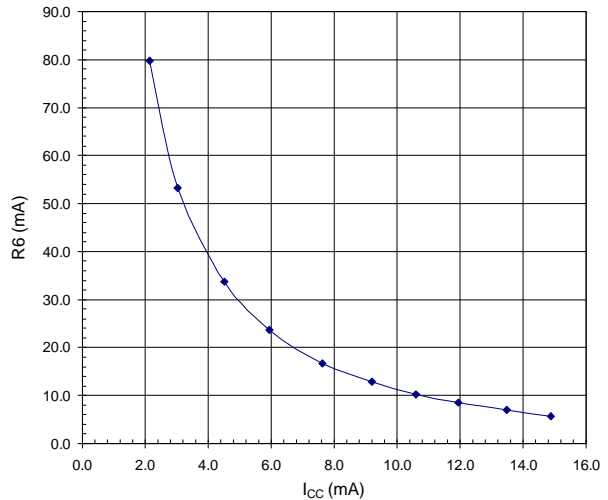
W-CDMA

(See W-CDMA Application Schematic)

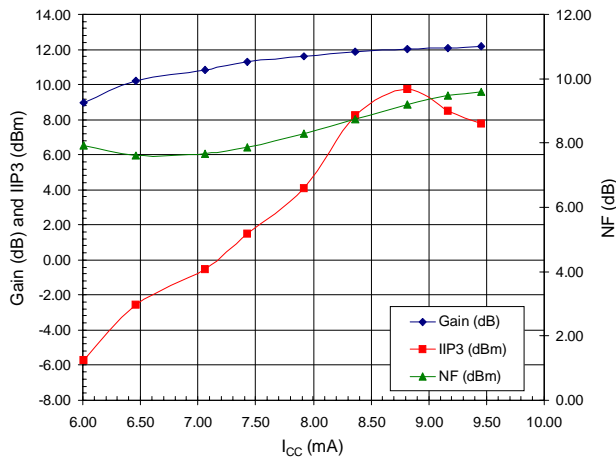
LNA Gain, Noise Figure, and IIP3 versus I_{CC} - LNA Only
(LNA High Gain)



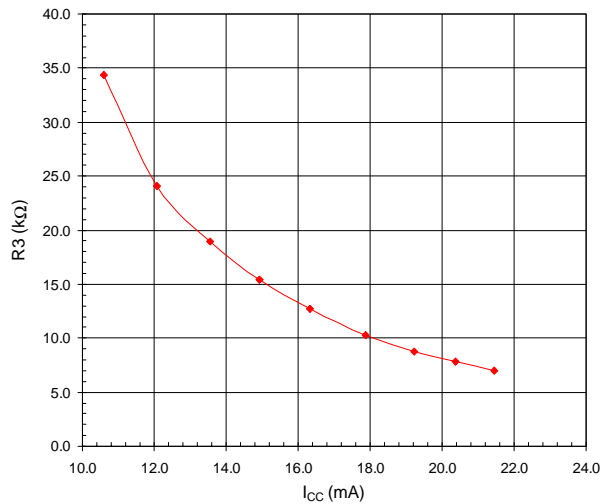
R6 versus I_{CC} for LNA



Mixer Gain, Noise Figure and IIP3 versus I_{CC} - Mixer and Bias Circuits (Mixer High Gain, LO=-7dBm)



R3 versus I_{CC} for Mixer and Bias Circuits



FRONT-ENDS

Instructions (Board loss, taking into consideration description in the W-CDMA schematic)

LNA

I_{CC} LNA current=total current (V_{CC} =LNA Gain=2.75)-total current (V_{CC} =2.75; LNA Gain=0)

To measure I_{CC} LNA only:

LNA Gain was switched between 0V and 2.75V, and record the delta current.

Mixer

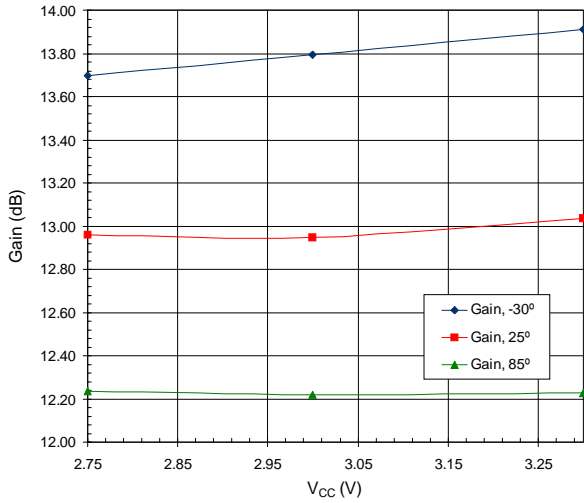
I_{CC} Mix and bias current=total current (V_{CC} ;=EN= V_{CC2} =Mix Gain=2.75; LNA Gain=0)-total current (V_{CC} ;=EN=2.75;

Mix Gain=LNA Gain= V_{CC2} =0

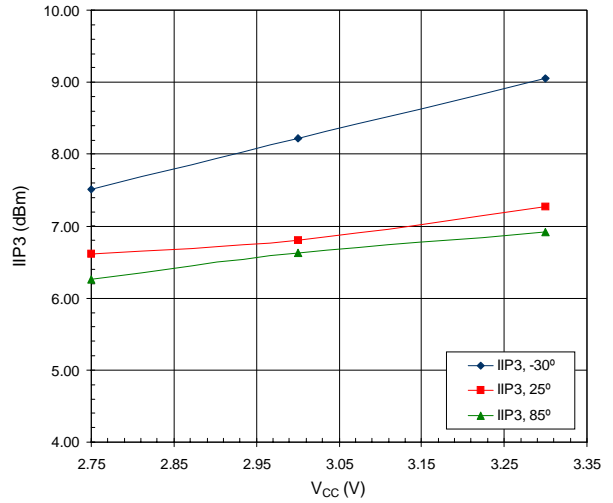
LO signal should be present. V_{CC2} only affects LO current buffer and R6 doesn't affect the mixer current.

By using a R6=39kΩ and R3=24kΩ, the following results were obtained. RF=2140MHz, LO=2330MHz, IF=190MHz.

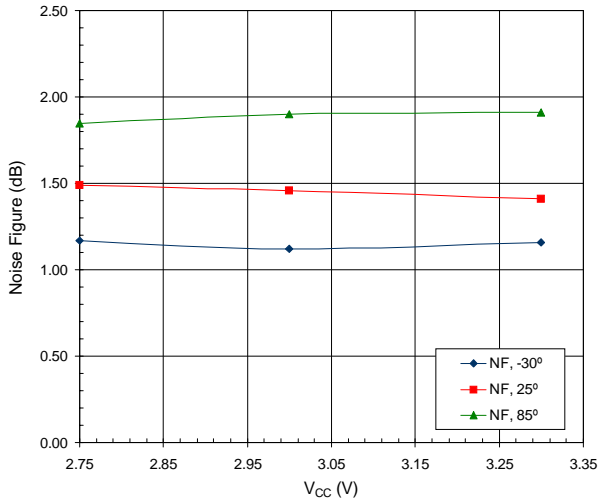
LNA (High Gain Mode) WCDMA



LNA (High Gain Mode) W-CDMA



LNA (High Gain Mode) W-CDMA



LNA Current W-CDMA

