

PLEASE CHECK WWW.MOLEX.COM FOR LATEST PART INFORMATION

Part Number: [0357111100](#)
Status: **Active**
Description: 2.79mm (.110") Slip-On Receptacle Terminal, Quick Disconnect, 0.80mm (.031") Tab Thickness, Wire Range 20-22 AWG (0.52-0.33mm²), Unplated

Documents:

[Drawing \(PDF\)](#) [RoHS Certificate of Compliance \(PDF\)](#)
[Product Specification PS-35702-001 \(PDF\)](#)

Agency Certification

CSA LR95446
 UL E92853

General

Product Family Quick Disconnects
 Series [35711](#)
 Crimp Quality Equipment Yes
 Product Name Slip-On
 Type Quick Disconnect

Physical

Barrel Type Open
 Gender Female
 Glow-Wire Compliant No
 Insulation None
 Lock to Mating Part None
 Material - Metal Brass
 Material - Plating Mating Tin
 Material - Plating Termination Tin
 Orientation Straight
 Packaging Type Reel
 Plating min: Mating (µin) 40
 Plating min: Mating (µm) 1
 Plating min: Termination (µin) 40
 Plating min: Termination (µm) 1
 Polarized to Mating Part No
 Tab Thickness 0.81mm (.032")
 Tab Width 2.79mm (.110")
 Temperature Range - Operating -40°C to +120°C
 Termination Interface: Style Crimp or Compression
 Wire Insulation Diameter 1.50-2.00mm (.059-.079") max.
 Wire Size AWG 20, 22
 Wire Size mm² 0.33 - 0.52

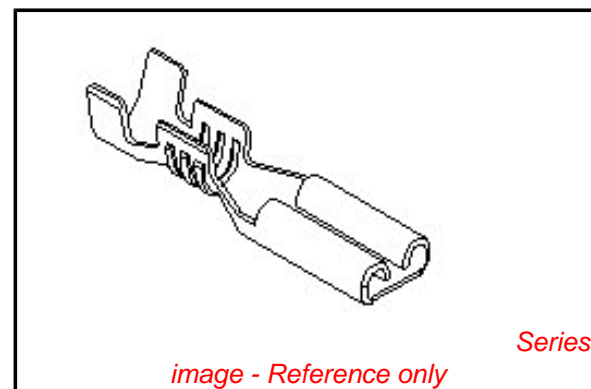
Electrical

Voltage - Maximum Per Wire Specification

Material Info

Reference - Drawing Numbers

Product Specification PS-35702-001
 Sales Drawing SD-35711-11*0



EU RoHS

ELV and RoHS Compliant
REACH SVHC Contains SVHC: No
Halogen-Free Status

China RoHS



Need more information on product environmental compliance?

Email productcompliance@molex.com
 For a multiple part number RoHS Certificate of Compliance, [click here](#)

Please visit the [Contact Us](#) section for any non-product compliance questions.

Search Parts in this Series
[35711Series](#)

10

9

8

7

6

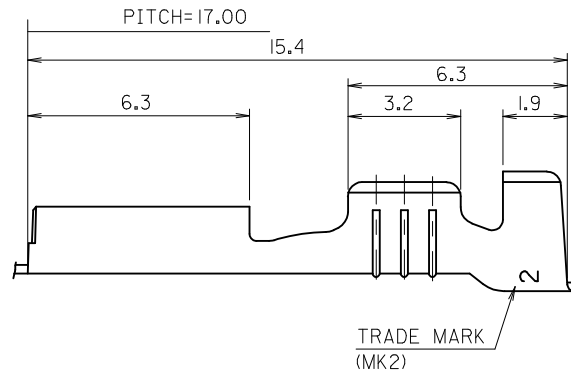
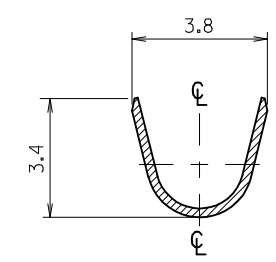
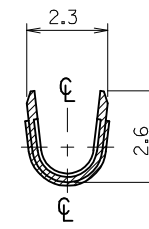
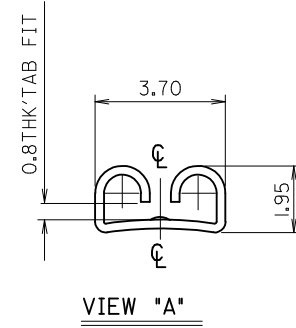
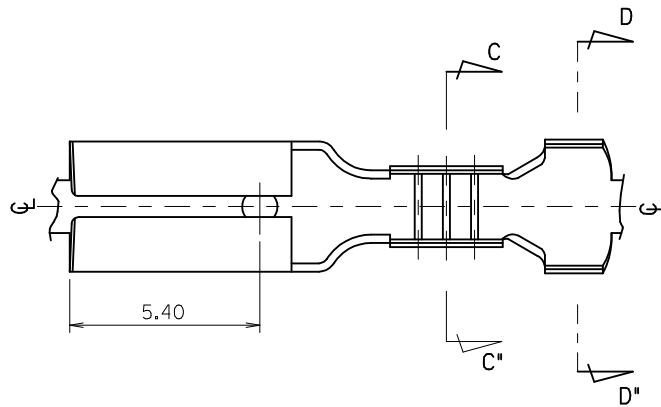
5

4

3

2

1



NOTES.

1. MATERIAL : BRASS
2. FINISH : 35711-1100 : UNPLATED
35711-1110 : © PRE-TIN PLATED
0.8~1.8 μm TIN PLATING
OVERALL 0.3~0.8μm COPPER PLATING
3. PRODUCT SPECIFICATION : PS-35702-001
PS-35827-001
4. MATES WITH : 0.8t TAB
5. APPLICABLE WIRE RANGE : AWG #22~#20

REVISED EC NO: KOR2009-0111 DRAWN: JHPARK01 2009/01/30 CHKD: WY YANG 2009/01/30 APPR: YUNSTIKIM 2009/01/30	QUALITY SYMBOLS ▽=0 ◻=0	GENERAL TOLERANCES (UNLESS SPECIFIED)		DIMENSION STYLE MM ONLY		SCALE 8:1	DESIGN UNITS METRIC	THIRD ANGLE PROJECTION		
			mm	INCH	DRAWN BY WY YANG	DATE 1993/04/15	TITLE .110 SLIP-ON RECEPTACLE			
		4 PLACES	± ---	± ---	CHECKED BY BK CHOI	DATE 1993/04/15	MOLEX INCORPORATED			
		3 PLACES	± ---	± ---	APPROVED BY CW LEE	DATE 1993/04/15				
2 PLACES	± ---	± ---	DRAFT WHERE APPLICABLE MUST REMAIN WITHIN DIMENSIONS		SEE NOTE		DOCUMENT NO. SD-35711-11*0	SHEET NO. 1 OF 01		
1 PLACE	± 0.30	± ---								
		ANGULAR ± ---°								
				SIZE A3		THIS DRAWING CONTAINS INFORMATION THAT IS PROPRIETARY TO MOLEX INCORPORATED AND SHOULD NOT BE USED WITHOUT WRITTEN PERMISSION				

9

8

7

6

5

4

3

2

1