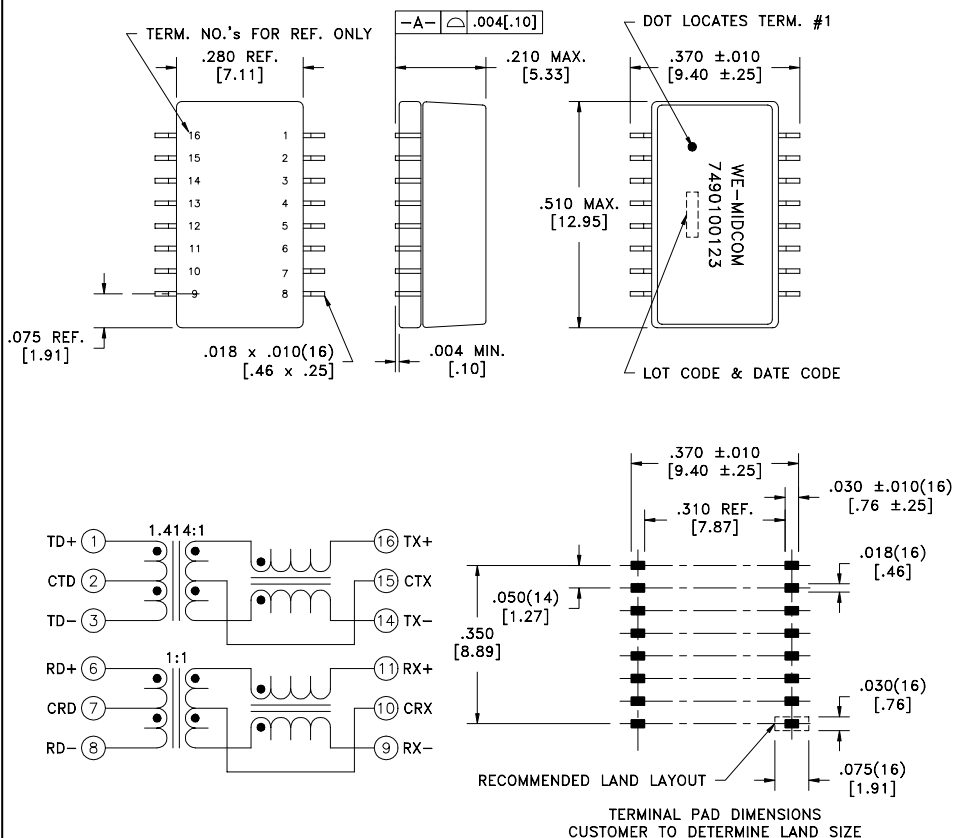


CUSTOMER TERMINAL	RoHS	LEAD(Pb)-FREE
Sn96%, Ag4%	Yes	No



ELECTRICAL SPECIFICATIONS @ 25°C unless otherwise noted:

PARAMETER	TEST CONDITIONS	VALUE
INDUCTANCE	1-3 100kHz, 100mVAC, 8mADC, Lp, 0°C to +70°C	350uH min.
INDUCTANCE	6-8 100kHz, 100mVAC, 8mADC, Lp, 0°C to +70°C	350uH min.
DIELECTRIC	Input-Output 1800Vrms, 1 second	1500Vrms, 1 minute
URNS RATIO	(1-3):(16-14)	1.414:1, ±2%
URNS RATIO	(6-8):(11-9)	1:1, ±2%
INSERTION LOSS	500k - 100MHz	-1.1dB max.
RETURN LOSS	500k - 30MHz	-18dB min.
RETURN LOSS	30M - 45MHz	-16dB min.
RETURN LOSS	45M - 60MHz	-14dB min.
RETURN LOSS	60M - 80MHz	-12dB min.
CROSSTALK	1M - 100MHz	-40dB min.
DCMR	1M - 100MHz	-35dB min.
CMRR	1M - 100MHz	-35dB min.

GENERAL SPECIFICATIONS:

OPERATING TEMPERATURE RANGE: 0°C to +70°C.

COPLANARITY: All 16 terminals must lie on a plane within .004 [.10] of Surface A after lead tinning.

REV	DATE
6	1/08

Packaging Specifications

Method: Tape & Reel
 PKG: 0339
 www.midcom-inc.com

Unless otherwise specified:
 Tolerances: Fractions: ±1/64
 Angles: ±1° Decimals: ±.005[.127]

This drawing is dual dimensioned. Dimensions in brackets are in millimeters.

DRAWING TITLE

TRANSFORMER
 PDS0-G16

eiSos p/n: 7490100123



DRAWING NO.

7490100123

REVISIONS: SEE SHEET 1

SCALE ---

SHEET 2 OF 10