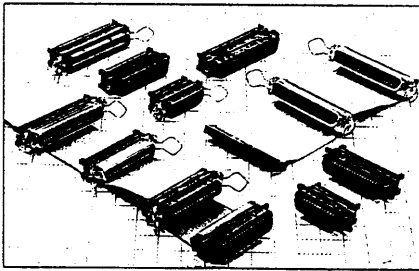


285-018-7067

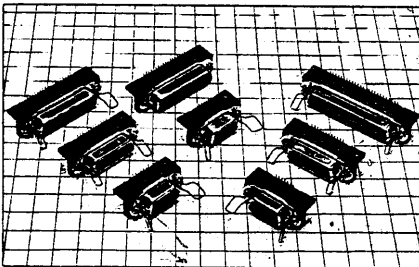
TABLE OF CONTENTS



5F SERIES

I. D. C. RIBBON CONNECTORS

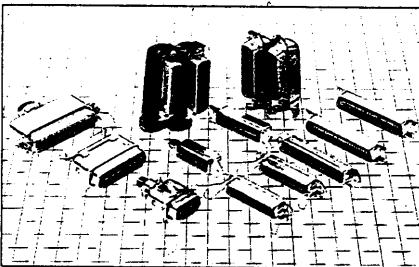
- Features / Performance Characteristics / Ordering Information 3
- Dimensions of Male / Female - 5F10-P, 5F20-P (Rack & Panel Type) 4
- Dimensions of Male / Female - 5F20-M (Rack & Panel Type),
5F30-P, 5F30-M (Cable to Panel Type) 5
- Dimensions of Female - 5F40-P, 5F40-M (Cable to Panel Type) 6
- Dimensions of Strain Relief / Mount Panel & Mounting Types 7



5L SERIES

RIGHT ANGLE P. C. B. MOUNTING TYPE RIBBON CONNECTORS

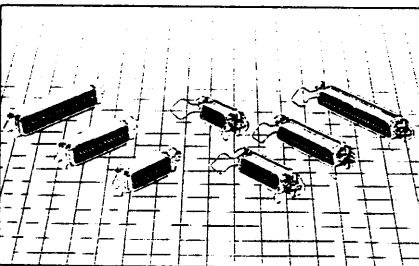
- Features / Performance Characteristics / Ordering Information 8
- Dimensions of Male / Female - 5L10, 5L20, 5L40 Series 9
- Dimensions of P. C. B. Layout, Panel Cutout & Mounting Types 10



5S SERIES

SOLDER TYPE RIBBON CONNECTORS

- Features / Performance Characteristics / Ordering Information 11
- Dimensions of Male / Female - 5S10, 5S20 (Rack & Panel Type) 12
- Dimensions of Female - 5S40 (Cable to Panel Type),
5S60, 5S90 (Cable to Top Entry Type) 13,14



5T SERIES

STRAIGHT P. C. B. MOUNTING TYPE RIBBON CONNECTORS

- Features / Performance Characteristics / Ordering Information 15
- Dimensions of Male / Female - 5T10, 5T20 Series 16
- Dimensions of Female - 5T40 Series, P. C. B. Layout 17
- Dimensions of Mounting Types 18

Remarks :

1. This catalog only containing popular items. Special needs available upon requests. Please contact EDA representatives.
2. Design and specifications are subject to change without notice for further improvement.

5F SERIES

.D.C. RIBBON CONNECTORS

FEATURES

- Suitable for connecting flat cable with center line of 1.27mm (0.050") and intermateable with other standard ribbon connectors.
- Designed with I.D.C. contacts for fast, economical and reliable connection.
- Standard connectors are fitted with pre-assembled housing and strain relief.
- Various mounting types provided and easy for selection.
- Metal front shells are provided to shield against EMI.
- Standard spring latches on receptacle connectors, and thread mounting inserts are available for mounting selection.
- Insulator is made of polyester resin and glass fiber reinforced (UL 94V-0) providing superior heat and chemical resistance.
- Available contacts with 24, 36 and 50 positions.
- Recognized UL under the component program of Underwriters Laboratories Inc. File No. E 112081

PERFORMANCE CHARACTERISTICS

ELECTRICAL :

- Current Rating : 1 Amp
- Dielectric Withstanding Voltage : AC 500 V min. (For 1 minute)
- Insulation Resistance : 1000 MΩ min. (At 500V DC)
- Contact Resistance : 20 mΩ max. mated

MECHANICAL :

- Insulator Material : Polyester and glass fiber reinforced (UL 94V-0)
- Contact Material : Phosphor Bronze
- Contact Finish : Gold over nickel
- I.D.C. Terminal Finish : Tin-lead over nickel
- Durability : 100 Cycles min.
- Wire Size : AWG 26 or 28 stranded, 1.27 mm conductor center flat cable
- Mating and Unmating Force

Contact Numbers	24	36	50
Mating Force (Kgf max.)	3.4	5.0	7.0
Unmating Force (Kgf min.)	1.5	2.2	3.0

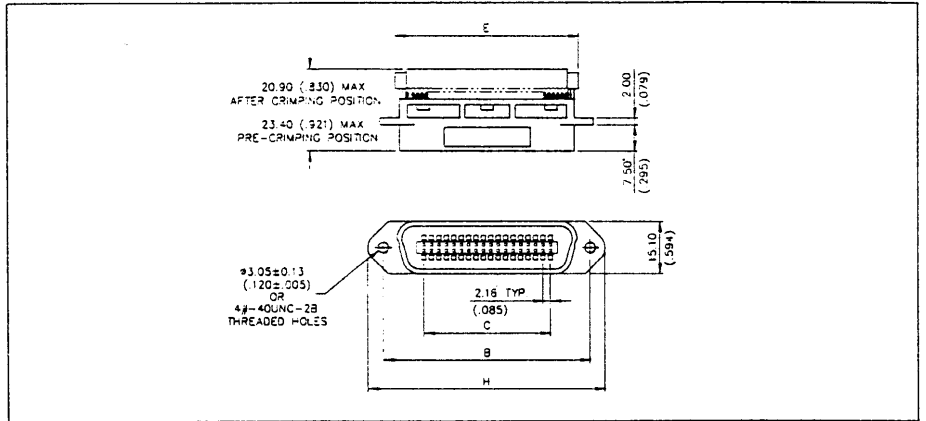
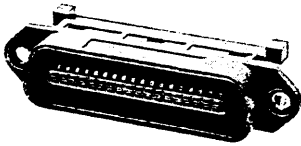
ORDERING INFORMATION

	5F	10	360	P-	2	0	P	S
Series Number : 5F ... I.D.C. ribbon connector								
Contact & Connecting Types : 10 ... Plug, rack & panel connecting type 20 ... Socket, rack & panel connecting type 30 ... Plug, cable to panel connecting type 40 ... Socket, cable to panel connecting type								
Number of Contacts : 240 ... 24 Positions 360 ... 36 Positions 500 ... 50 Positions								
Housing Construction Types : P ... All plastic type M ... With metal front shell								
Color Codes : 1 ... Blue 2 ... Gray 3 ... Black								
Contact Finish : 0 ... Selected gold flash over nickel 2 ... 15μ" Selected gold plated over nickel 3 ... 30μ" Selected gold plated over nickel								
Strain Relief : N ... Without strain relief P ... Plastic strain relief								
Mounting Types : S ... Standard through holes R ... With rivet through holes T ... With #4-40UNC threaded insert N ... Without mounting holes (Bail mounting type) M ... With M 3x0.5 threaded holes W ... With M 2.6x0.45 threaded holes A ... With ø3.20 rivet								

5F SERIES I.D.C. RIBBON CONNECTORS

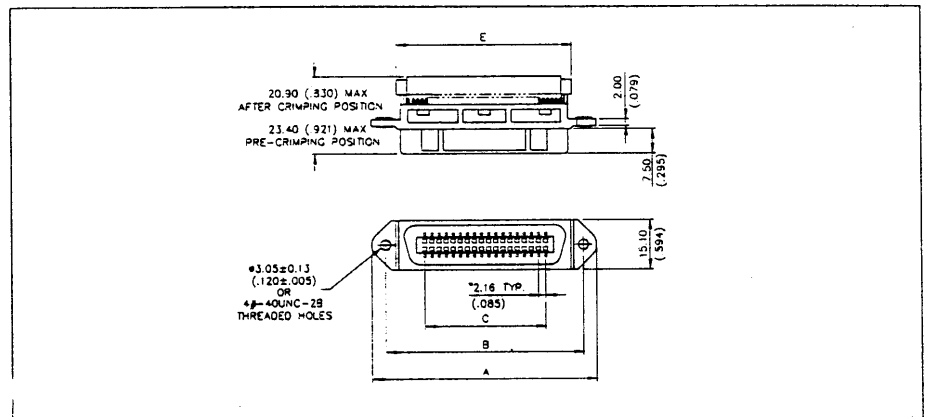
MALE — 5F10 - P Series (Rack & Panel Type)

Unit : Millimeter (Inch)



FEMALE — 5F20 - P Series (Rack & Panel Type)

Unit : Millimeter (Inch)



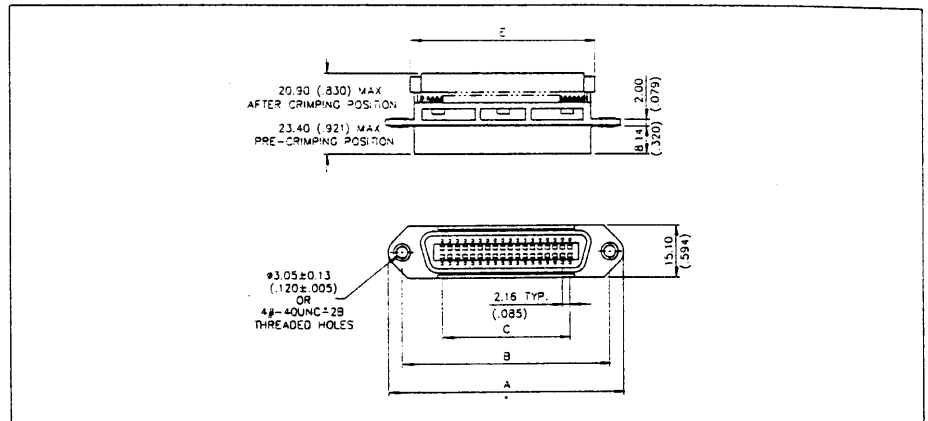
DIMENSIONS

Unit : Millimeter (Inch)

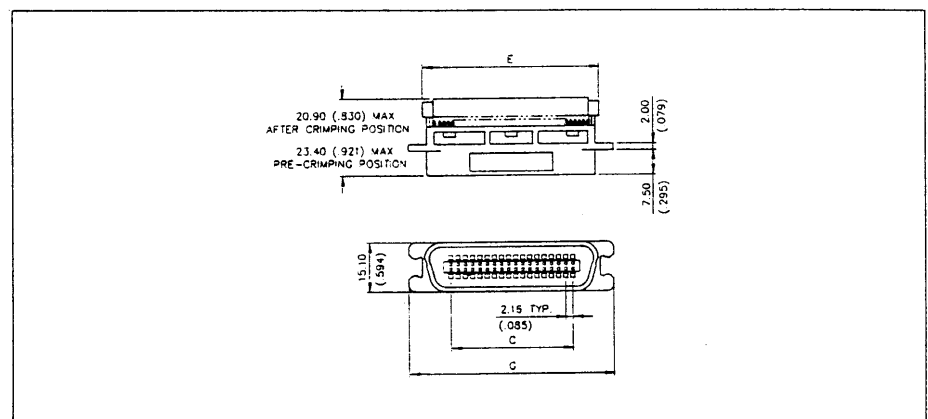
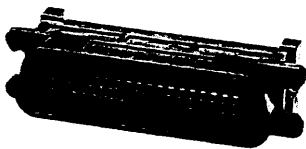
Number of Positions	A	B	C	E	H
	±0.25(0.010)	±0.13(0.005)	±0.13(0.005)	-0.25(0.010)	±0.25(0.010)
24	54.70(2.154)	46.78(1.842)	23.76(0.935)	35.50(1.398)	55.42(2.182)
36	67.80(2.669)	59.74(2.352)	36.72(1.446)	53.30(2.098)	68.38(2.692)
50	82.80(3.260)	74.85(2.947)	51.84(2.041)	68.50(2.697)	83.50(3.287)

5F SERIES I.D.C. RIBBON CONNECTORS

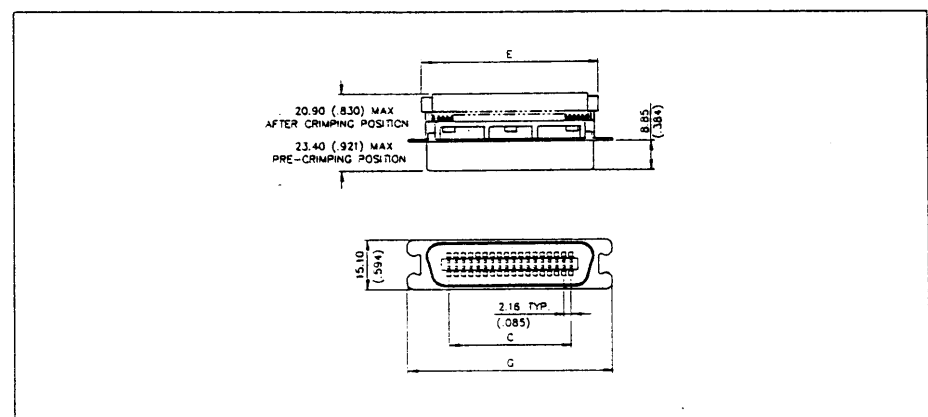
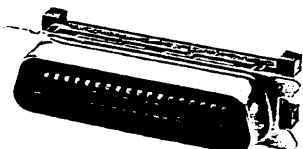
FEMALE — 5F20 - M Series (Rack & Panel Type) Unit : Millimeter (Inch)



MALE — 5F30 - P Series (Cable to Panel Type) Unit : Millimeter (Inch)

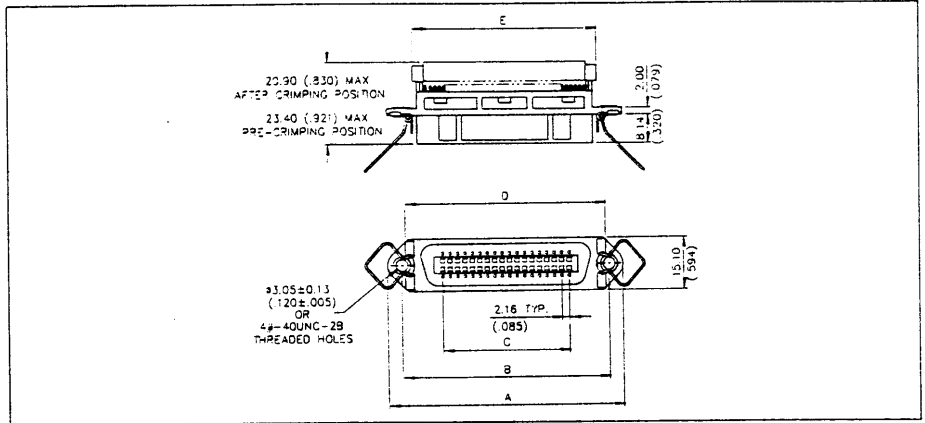


MALE — 5F30 - M Series (Cable to Panel Type) Unit : Millimeter (Inch)

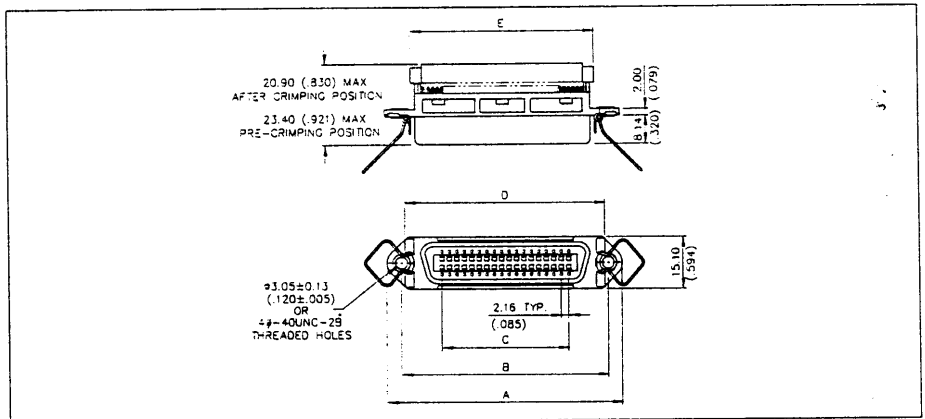
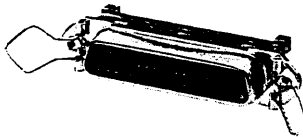


5F SERIES I.D.C. RIBBON CONNECTORS

FEMALE — 5F40 - P Series (Cable to Panel Type) Unit : Millimeter (Inch)



FEMALE — 5F40 - M Series (Cable to Panel Type) Unit : Millimeter (Inch)



DIMENSIONS

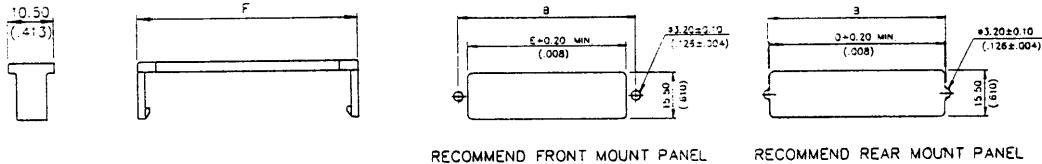
Unit : Millimeter (Inch)

Number of Positions	A	B	C	D	E	G
	±0.25(0.010)	±0.13(0.005)	±0.13(0.005)	-0.25(0.010)	-0.25(0.010)	±0.25(0.010)
24	54.70(2.154)	46.78(1.842)	23.76(0.935)	45.95(1.809)	35.50(1.398)	48.60(1.913)
36	67.80(2.669)	59.74(2.352)	36.72(1.446)	58.80(2.315)	53.30(2.098)	61.60(2.425)
50	82.80(3.260)	74.85(2.947)	51.84(2.041)	74.25(2.923)	68.50(2.697)	76.70(3.020)

5F SERIES I.D.C. RIBBON CONNECTORS

STRAIN RELIEF / MOUNT PANEL

Unit : Millimeter (Inch)



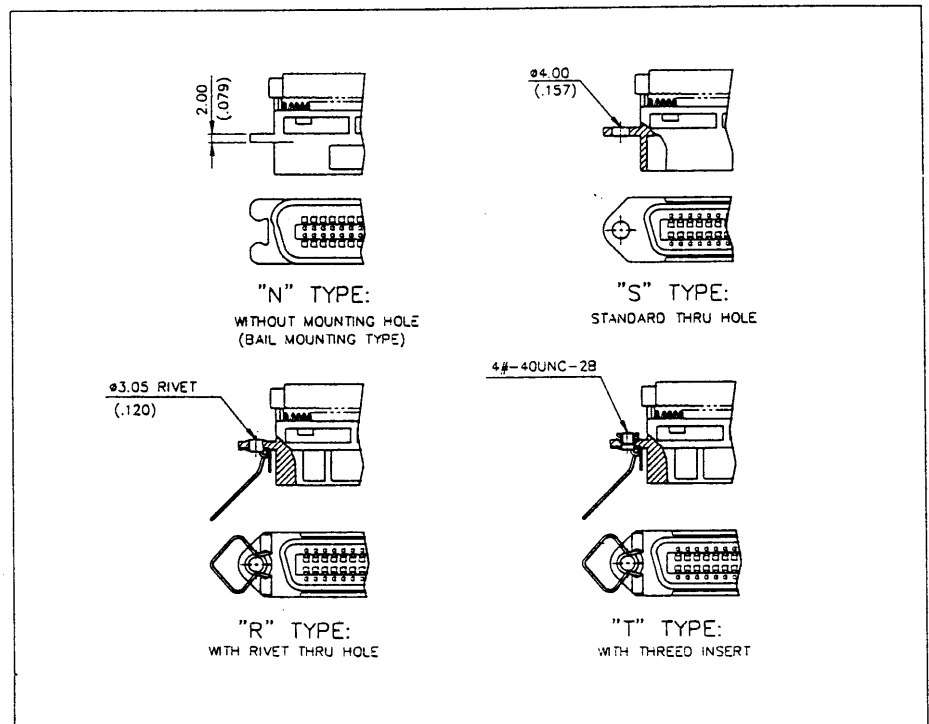
DIMENSIONS

Unit : Millimeter (Inch)

Number of Positions	B	D	E	F
	±0.13(0.005)	-0.25(0.010)	-0.25(0.010)	±0.25(0.010)
24	46.78(1.842)	45.95(1.809)	35.50(1.398)	37.50(1.476)
36	59.74(2.352)	58.80(2.315)	53.30(2.098)	54.40(2.142)
50	74.85(2.947)	74.25(2.923)	68.50(2.697)	70.50(2.776)

MOUNTING TYPES

Unit : Millimeter (Inch)



RIGHT ANGLE P.C.B. MOUNTING TYPE RIBBON CONNECTORS

FEATURES

- Suitable for P.C.B. mount and interchangeable with other standard ribbon connectors.
- Solder tails are positioned securely.
- Metal front shells are provided to shield against EMI.
- Standard spring latches on receptacle connectors, and mounting thread are available for mounting selection.
- Insulator is made of polyester resin and glass fiber reinforced (UL 94V-0) providing superior heat and chemical resistance.
- Available contacts with 14, 24, 36 and 50 positions.
- Recognized UL under the component program of Underwriters Laboratories Inc. File No. E 112081

PERFORMANCE CHARACTERISTICS

ELECTRICAL :

- **Current Rating**
: 3 Amp
- **Dielectric Withstanding Voltage**
: AC 1200 V min. (For 1 minute)
- **Insulation Resistance**
: 1000 MΩ min. (At 500V DC)
- **Contact Resistance**
: 25 mΩ max. mated
- **Working Temperature**
: - 55°C to + 105°C

MECHANICAL :

- **Insulator Material**
: Polyester resin and glass fiber reinforced (UL 94V-0)
 - **Contact Material**
: Phosphor Bronze
 - **Contact Finish**
: Gold over nickel
 - **Terminal Finish**
: Tin-lead over nickel
 - **Durability**
: 100 Cycles min.
 - **Mating and Unmating Force**
- | | | | | |
|---------------------------|-----|-----|-----|-----|
| Contact Numbers | 14 | 24 | 36 | 50 |
| Mating Force (Kgf max.) | 2.0 | 3.4 | 5.0 | 7.0 |
| Unmating Force (Kgf min.) | 0.9 | 1.5 | 2.2 | 3.0 |

• ORDERING INFORMATION

5L - 10 360 M- 1 0 N H

Series Number :
5L ... Right angle P.C.B. mounting type ribbon connector

Contact & Connecting Types :
10 ... Plug, without spring latch
20 ... Socket, without spring latch
40 ... Socket, with spring latch

Number of Contacts :
140 ... 14 Positions
240 ... 24 Positions
360 ... 36 Positions
500 ... 50 Positions

Housing Construction Types :
M ... With metal front shell

Color Codes :
1 ... Blue 2 ... Gray 3 ... Black

Contact Finish :
0 ... Selected gold flash over nickel
2 ... 15μ" Selected gold plated over nickel
3 ... 30μ" Selected gold plated over nickel

Strain Relief :
N ... Without strain relief

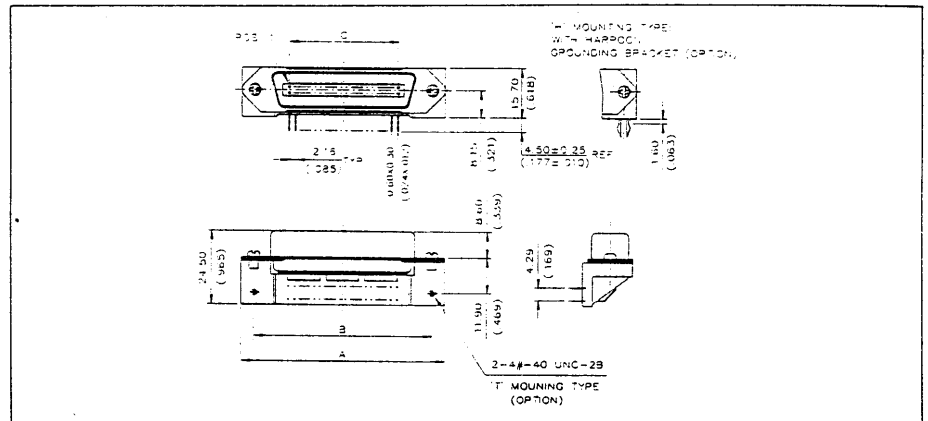
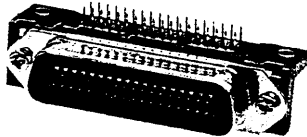
Mounting Types :
H ... With boardlock grounding bracket
T ... With 4#-40UNC grounding bracket

5L SERIES

RIGHT ANGLE P.C.B. MOUNTING TYPE RIBBON CONNECTORS

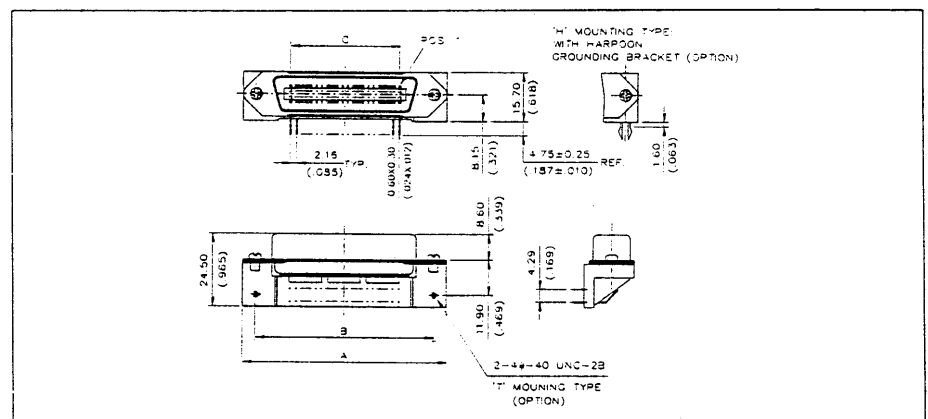
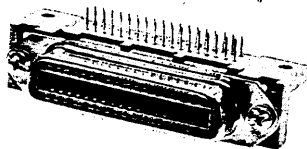
MALE — 5L10 Series

Unit : Millimeter (Inch)



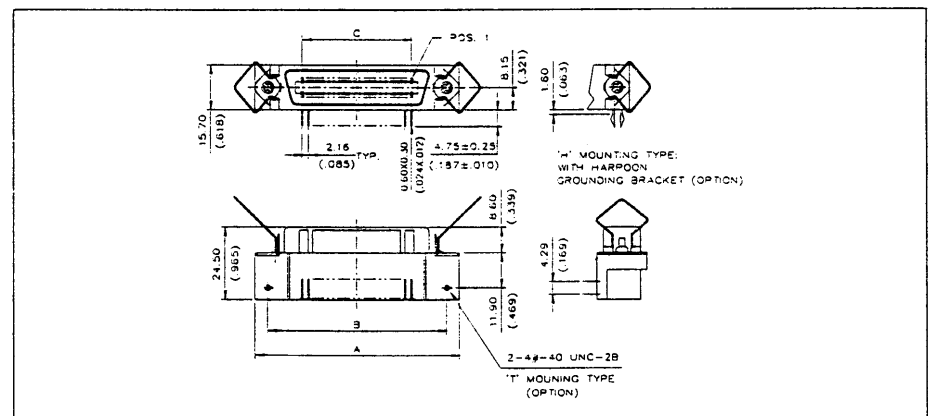
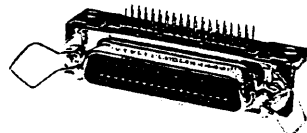
FEMALE — 5L20 Series

Unit : Millimeter (Inch)



FEMALE — 5L40 Series

Unit : Millimeter (Inch)

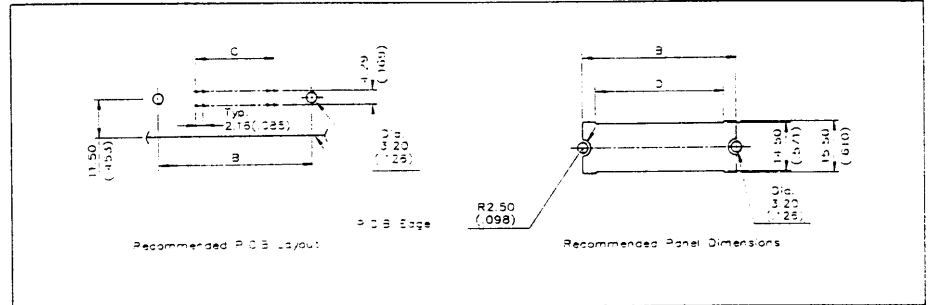


5L SERIES

RIGHT ANGLE P.C.B. MOUNTING TYPE RIBBON CONNECTORS

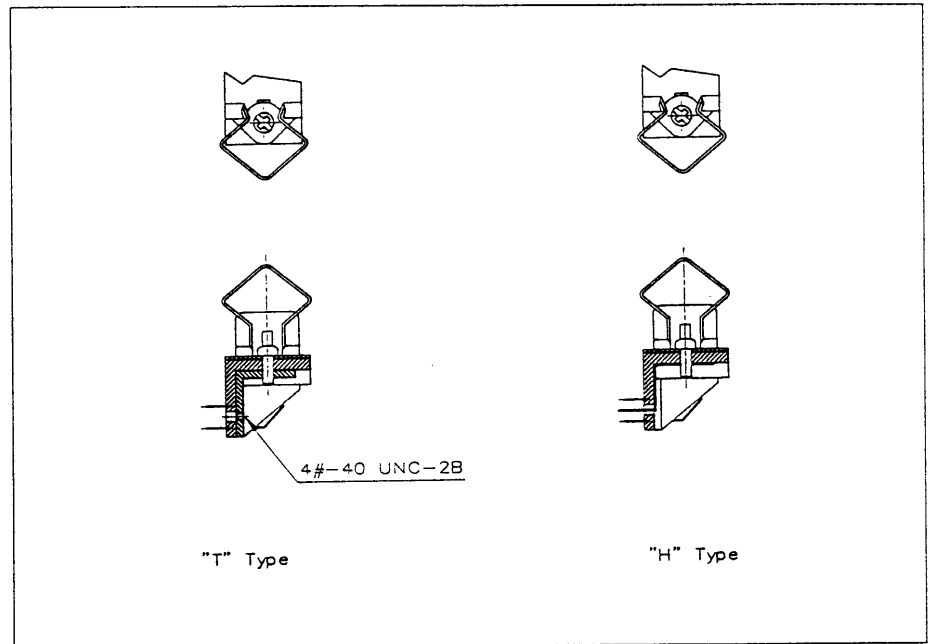
P.C.B. LAYOUT / PANEL CUTOUT

Unit : Millimeter (Inch)



MOUNTING TYPES

Unit : Millimeter (Inch)



DIMENSIONS

Unit : Millimeter (Inch)

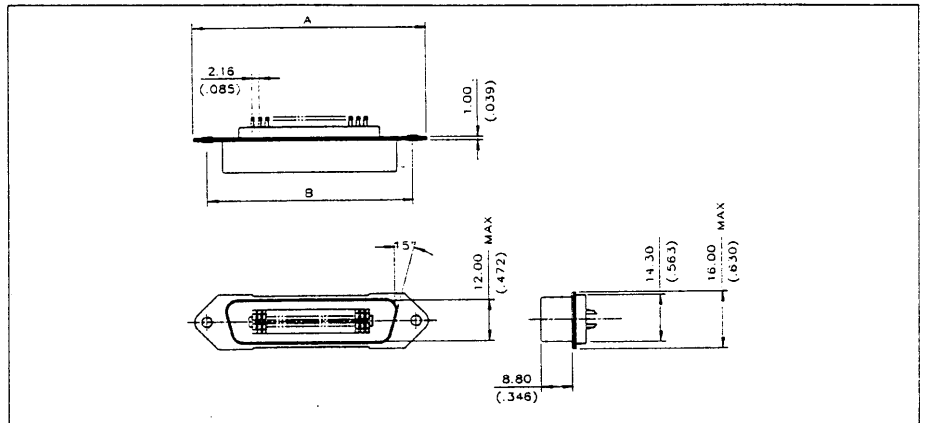
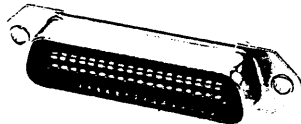
Number of Positions	A	B	C	D
	±0.36(0.014)	±0.13(0.005)	±0.13(0.005)	±0.13(0.005)
14	44.45(1.750)	35.99(1.417)	12.96(0.510)	28.20(1.110)
24	55.25(2.175)	46.78(1.842)	23.76(0.935)	39.00(1.535)
36	68.20(2.685)	59.74(2.352)	36.72(1.446)	52.00(2.047)
50	83.30(3.280)	74.85(2.947)	51.84(2.041)	66.10(2.602)

5S SERIES

SOLDER TYPE RIBBON CONNECTORS

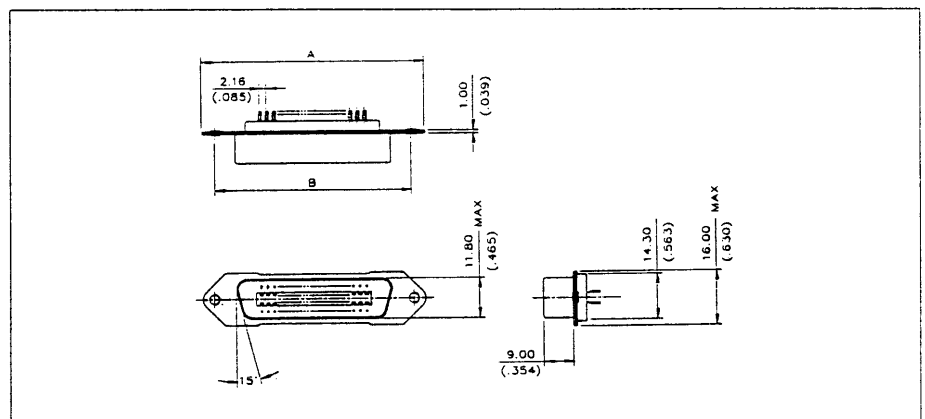
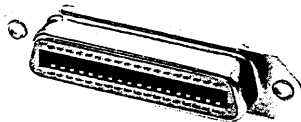
MALE — 5S10 Series (Rack & Panel Type)

Unit : Millimeter (Inch)



FEMALE — 5S20 Series (Rack & Panel Type)

Unit : Millimeter (Inch)



DIMENSIONS

Unit : Millimeter (Inch)

Number of Positions	A	B	C
	±0.38(0.015)	±0.25(0.010)	±0.38(0.015)
14	43.90(1.728)	36.00(1.417)	44.14(1.738)
24	54.70(2.154)	46.80(1.843)	53.52(2.107)
36	67.70(2.665)	59.70(2.350)	67.74(2.667)
50	82.80(3.260)	74.90(2.949)	82.86(3.262)

5T SERIES

STRAIGHT P.C.B. MOUNTING TYPE RIBBON CONNECTORS

FEATURES

Suitable for P.C.B. mount and interchangeable with other standard ribbon connectors.

Various P.C.B. mounting types provided and easy for selection.

Metal front shells are provided to shield against EMI.

Standard spring latches on receptacle connectors, and mounting thread are available for mounting selection.

Insulator is made of polyester resin and glass fiber reinforced (UL 94V-0) providing superior heat and chemical resistance.

Available contacts with 14, 24, 36 and 50 positions.

Recognized UL under the component program of Underwriters Laboratories Inc. File No. E 112081

PERFORMANCE CHARACTERISTICS

ELECTRICAL :

Current Rating
: 3 Amp

Dielectric Withstanding Voltage
: AC 1200 V min. (For 1 minute)

Insulation Resistance
: 1000 MΩ min. (At 500V DC)

Contact Resistance
: 25 mΩ max. mated

Working Temperature
: - 55°C to + 105°C

MECHANICAL :

Insulator Material
: Polyester resin and glass fiber reinforced (UL 94V-0)

Contact Material
: Phosphor Bronze

Contact Finish
: Gold over nickel

Terminal Finish
: Tin-lead over nickel

Durability
: 100 Cycles min.

Mating and Unmating Force

Contact Numbers	14	24	36	50
Mating Force (Kgf max.)	2.0	3.4	5.0	7.0
Unmating Force (Kgf min.)	0.9	1.5	2.2	3.0

ORDERING INFORMATION

5T 10 360 M- 1 0 N S

Series Number :
5T ... Straight P.C.B. mounting type ribbon connector

Contact & Connecting Types :
10 ... Plug, without spring latch
20 ... Socket, without spring latch
40 ... Socket, with spring latch

Number of Contacts :
140 ... 14 Positions
240 ... 24 Positions
360 ... 36 Positions
500 ... 50 Positions

Housing Construction Types :
M ... With metal front shell

Color Codes :
1 ... Blue 2 ... Gray 3 ... Black

Contact Finish :
0 ... Selected gold flash over nickel
2 ... 15μ" Selected gold plated over nickel
3 ... 30μ" Selected gold plated over nickel

Strain Relief :
N ... Without strain relief

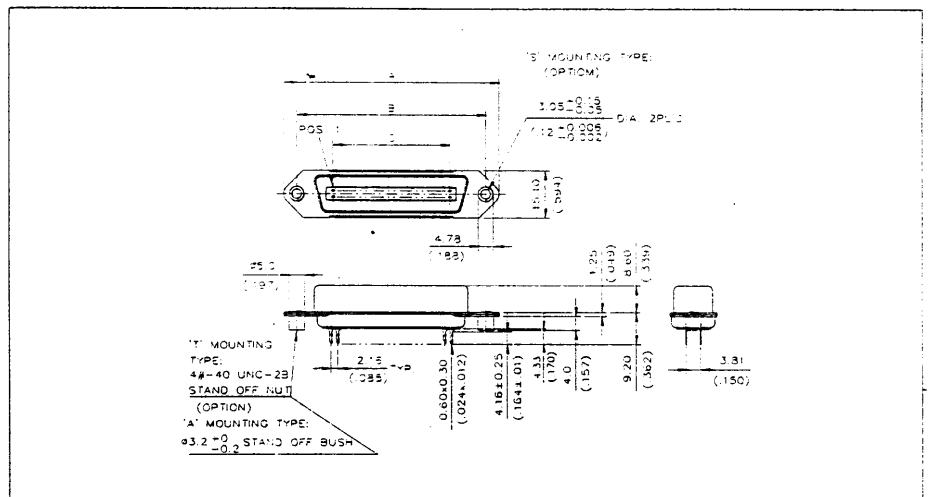
Mounting Types :
S ... Standard thru holes
T ... With 4#-40UNC stand off nut
A ... With ø3.20 thru holes stand off bush

5T SERIES

STRAIGHT P.C.B. MOUNTING TYPE RIBBON CONNECTORS

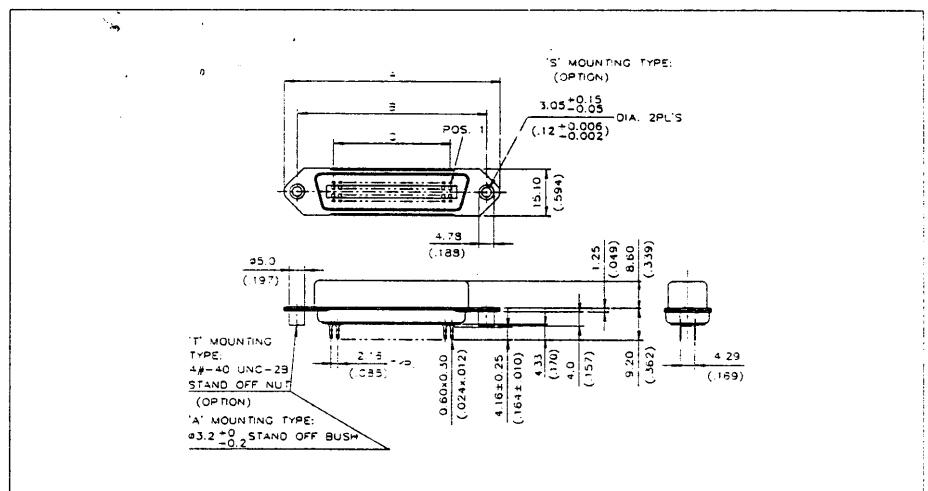
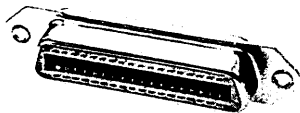
MALE — 5T10 Series

Unit : Millimeter (Inch)



FEMALE — 5T20 Series

Unit : Millimeter (Inch)



DIMENSIONS

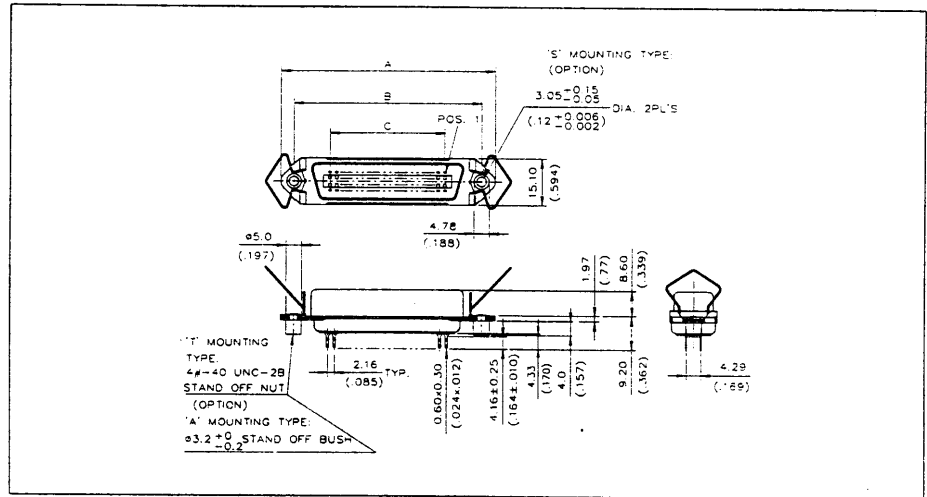
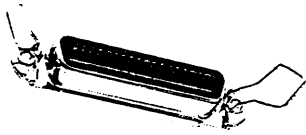
Unit : Millimeter (Inch)

Number of Positions	A	B	C
	$\pm 0.36(0.014)$	$\pm 0.13(0.005)$	$\pm 0.13(0.005)$
14	44.45(1.750)	35.99(1.417)	12.96(0.510)
24	55.25(2.175)	46.78(1.842)	23.76(0.935)
36	68.20(2.685)	59.74(2.352)	36.72(1.446)
50	83.30(3.280)	74.85(2.947)	51.84(2.041)

5T SERIES

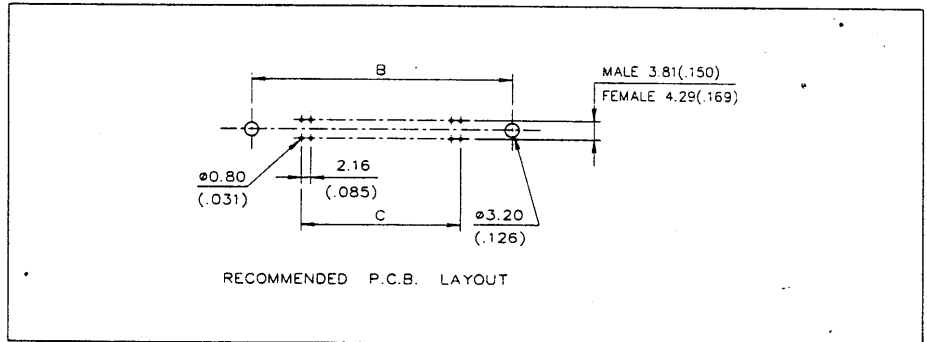
STRAIGHT P.C.B. MOUNTING TYPE RIBBON CONNECTORS

FEMALE — 5T40 Series (With Spring Latch Type) Unit : Millimeter (Inch)



P.C.B. LAYOUT

Unit : Millimeter (Inch)

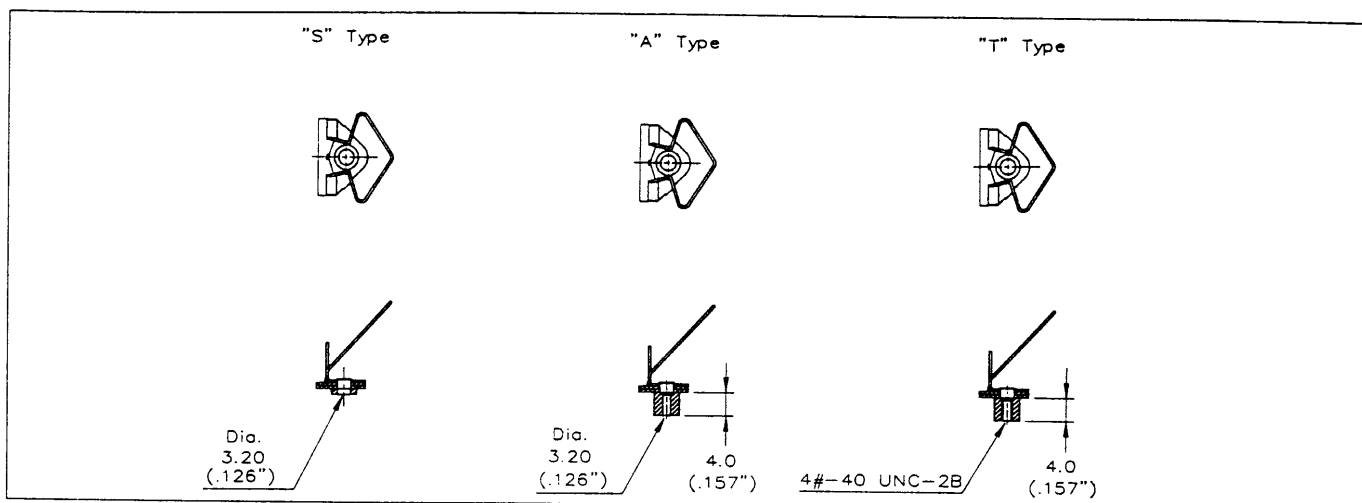


DIMENSIONS

Unit : Millimeter (Inch)

Number of Positions	A	B	C
	$\pm 0.36(0.014)$	$\pm 0.13(0.005)$	$\pm 0.13(0.005)$
14	44.45(1.750)	35.99(1.417)	12.96(0.510)
24	55.25(2.175)	46.78(1.842)	23.76(0.935)
36	68.20(2.685)	59.74(2.352)	36.72(1.446)
50	83.30(3.280)	74.85(2.947)	51.84(2.041)

5T SERIES STRAIGHT P.C.B. MOUNTING TYPE RIBBON CONNECTORS



5S SERIES

SOLDER TYPE RIBBON CONNECTORS

FEATURES

Suitable for cable assembly and interchangeable with other standard ribbon connectors.

Standard spring latches on receptacle connectors, and mounting thread are available for mounting selection.

Metal front shells are provided to shield against EMI.

Insulator is made of polyester resin and glass fiber reinforced (UL 94V-0) providing superior heat and chemical resistance.

Available contacts with 14, 24, 36 and 50 positions.

Recognized UL under the component program of Underwriter Laboratories Inc. File No. E 112081

PERFORMANCE CHARACTERISTICS

ELECTRICAL :

- **Current Rating**
: 3 Amp
- **Dielectric Withstanding Voltage**
: AC 1200 V min. (For 1 minute)
- **Insulation Resistance**
: 1000 MΩ min. (At 500V DC)
- **Contact Resistance**
: 25 mΩ max. mated
- **Working Temperature**
: - 55°C to + 105°C

MECHANICAL :

- **Insulator Material**
: Polyester resin and glass fiber reinforced(UL 94V-0)
 - **Contact Material**
: Phosphor Bronze
 - **Contact Finish**
: Gold over nickel
 - **Soldertail Finish**
: Tin-lead over nickel
 - **Durability**
: 100 Cycles min.
 - **Mating and Unmating Force**
- | | | | | |
|---------------------------|-----|-----|-----|-----|
| Contact Numbers | 14 | 24 | 36 | 50 |
| Mating Force (Kgf max.) | 2.0 | 3.4 | 5.0 | 7.0 |
| Unmating Force (Kgf min.) | 0.9 | 1.5 | 2.2 | 3.0 |

ORDERING INFORMATION

5S 10 360 M- 1 0 N S

Series Number :
5S ... Solder Type Ribbon connector

Contact & Connecting Types :
10 ... Plug, rack & panel connecting type
20 ... Socket, rack & panel connecting type
40 ... Socket, cable to panel connecting type
60 ... Socket, cable to cable top entry connecting type
90 ... Plug, cable to cable top entry connecting type

Number of Contacts :
140 ... 14 Positions, 240 ... 24 Positions
360 ... 36 Positions, 500 ... 50 Positions

Metal Shell Finish :
P ... All plastic type
M ... Nickel plated shell
T ... Tin plated shell
G ... Nickel plated shell, with grounding indents
H ... Tin plated shell, with grounding indents

Color Codes :
1 ... Blue 2 ... Gray 3 ... Black

Contact Finish :
0 ... Selectived gold flash over nickel
2 ... 15μ" Selectived gold plated over nickel
3 ... 30μ" Selectived gold plated over nickel

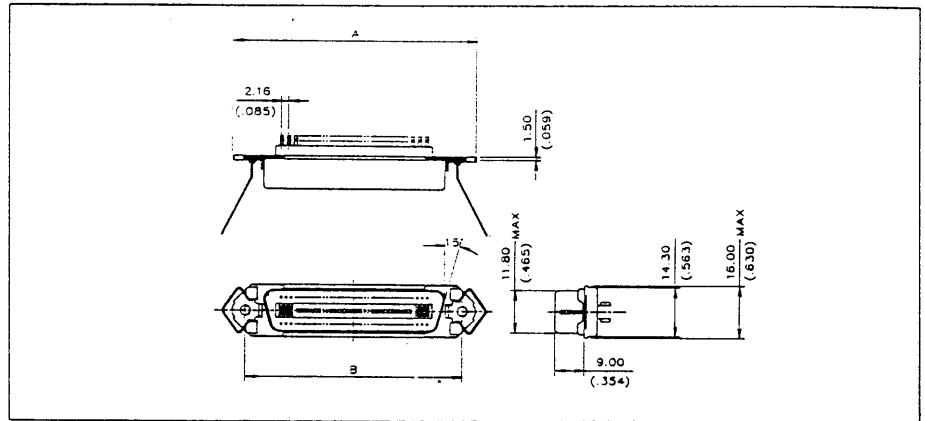
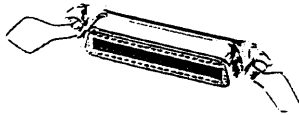
Strain Relief :
N ... Without strain relief
P ... Plastic strain relief

Mounting Types :
N ... Without mounting holes
S ... Standard through holes
R ... With rivet through holes
T ... With 4#-40UNC threaded insert
M ... With M 3x0.5 threaded insert
W ... With M 2.6x0.45 threaded insert
H ... With boardlock

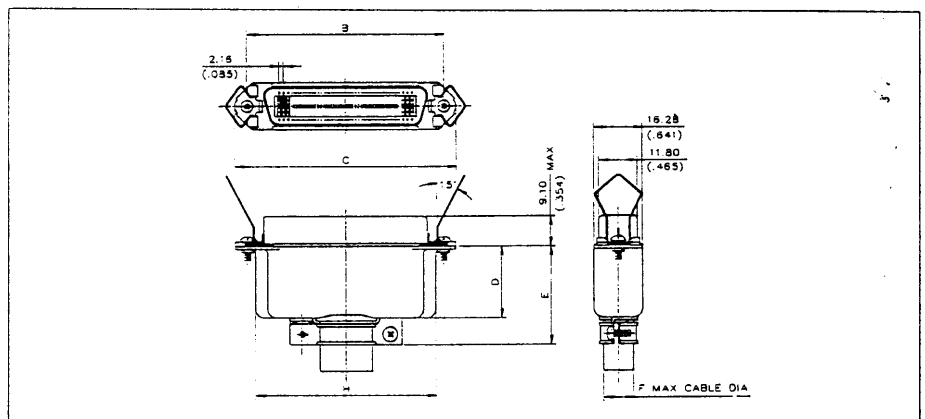
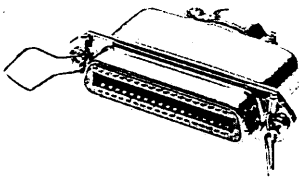
5S SERIES

SOLDER TYPE ROBBON CONNECTORS

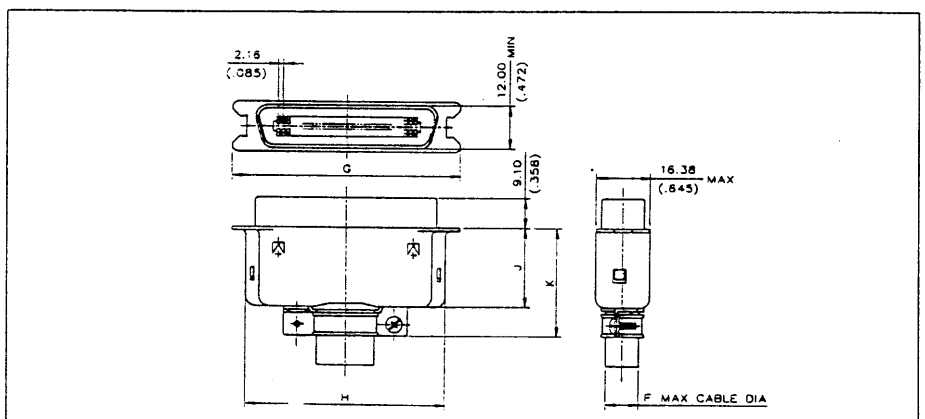
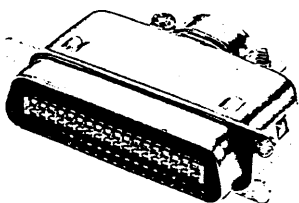
FEMALE — 5S40 Series (Cable to Panel Type) Unit : Millimeter (Inch)



FEMALE — 5S60 Series (Cable to Cable Top Entry Type) Unit : Millimeter (Inch)



MALE — 5S90 Series (Cable to Cable Top Entry Type) Unit : Millimeter (Inch)



5S SERIES

SOLDER TYPE RIBBON CONNECTORS

DIMENSIONS

Unit : Millimeter (Inch)

Number of Positions	A	B	C	D	E	F	G	H	J	K
	±0.38(0.015)	±0.25(0.010)	±0.38(0.015)	±0.38(0.015)	±0.38(0.015)	±0.38(0.015)	±0.38(0.015)	±0.38(0.015)	±0.38(0.015)	±0.38(0.015)
14	43.90(1.728)	36.00(1.417)	44.14(1.738)	21.40(0.843)	32.30(1.272)	8.84(0.348)	44.95(1.767)	29.29(1.153)	21.59(0.850)	31.88(1.255)
24	54.70(2.154)	46.80(1.843)	53.52(2.107)	21.00(0.827)	31.90(1.256)	12.01(0.473)	55.75(2.195)	40.08(1.578)	21.08(0.830)	31.37(1.235)
36	67.70(2.665)	59.70(2.350)	67.74(2.667)	23.00(0.906)	33.30(1.311)	12.70(0.500)	68.71(2.705)	68.15(2.683)	23.11(0.910)	33.40(1.315)
50	82.80(3.260)	74.90(2.949)	82.86(3.262)	25.40(1.000)	35.90(1.413)	12.70(0.500)	83.82(3.300)	68.15(2.683)	25.40(1.000)	35.69(1.405)